



US00D949222S

(12) **United States Design Patent**  
**Bergman et al.**

(10) **Patent No.:** **US D949,222 S**

(45) **Date of Patent:** **\*\* Apr. 19, 2022**

(54) **CAMERA HOUSING**

(71) Applicant: **GoPro, Inc.**, San Mateo, CA (US)

(72) Inventors: **Senka Agic Bergman**, Montara, CA (US); **Daniel J. Coster**, San Francisco, CA (US); **Jordan Todd**, San Mateo, CA (US); **Zhijun Guo**, Shenzhen (CN)

(73) Assignee: **GoPro, Inc.**, San Mateo, CA (US)

(\*\*) Term: **15 Years**

(21) Appl. No.: **29/705,997**

(22) Filed: **Sep. 17, 2019**

(51) **LOC (13) Cl.** ..... **16-01**

(52) **U.S. Cl.**  
USPC ..... **D16/200**

(58) **Field of Classification Search**  
USPC ..... D16/200, 202-204, 208, 211, 218, 219, D16/237, 242; D3/263, 267, 268; 248/176.1, 187.1; 348/81, 360, 373-376, 348/835; 396/25, 27-29, 419, 535, 396/539-541

CPC ..... G03B 15/03; G03B 17/02; G03B 17/04; G03B 17/08; G03B 17/56; G03B 19/04; H04N 5/2251; H04N 5/2252; H04N 5/2253; H04N 5/2254; A45C 11/38

See application file for complete search history.

(56) **References Cited**

**U.S. PATENT DOCUMENTS**

D96,348 S	7/1935	Teaque
D150,289 S	7/1948	Crapsey
D164,285 S	8/1951	Clark
3,418,909 A	12/1968	Rabinow
D265,829 S	8/1982	Shimoda
4,646,141 A	2/1987	Timmermans
4,763,151 A	8/1988	Klinger
D321,704 S	11/1991	Leonard
D321,705 S	11/1991	Ohmura

D338,220 S	8/1993	Kohno
D367,283 S	2/1996	Lyon
D377,940 S	2/1997	Totsch
D388,109 S	12/1997	Kimura
D392,659 S	3/1998	Takano
5,997,376 A	12/1999	Block
D419,296 S	1/2000	Shinano

(Continued)

**FOREIGN PATENT DOCUMENTS**

EP	0025866020001 B2	2/2015
EP	0025866020002 B1	2/2015
JP	2002006389 A	1/2002

**OTHER PUBLICATIONS**

'Custom Surf Housing Examples for Video Cameras,' Sexton Photographies, The Sexton Company LLC, 2004, [Online] [Retrieved on Nov. 16, 2008] Retrieved from the Internet&lt;URL:http://www.thesextonco.com/ch.sub.--surf.sub.--video.html- &gt;. 3 pages.

(Continued)

*Primary Examiner* — Ramzi Almatrahi

(74) *Attorney, Agent, or Firm* — Young Basile Hanlon & MacFarlane, P.C.

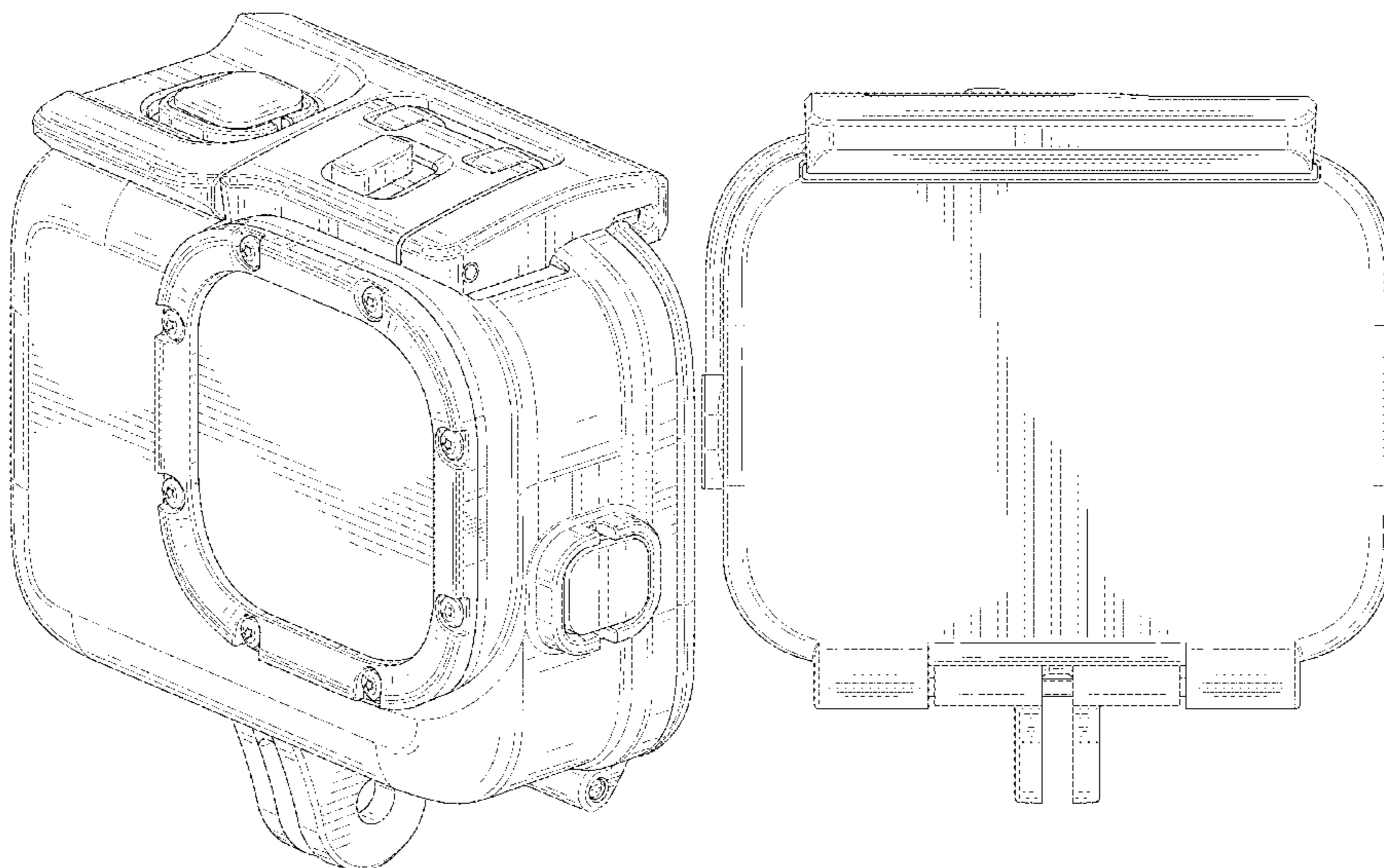
(57) **CLAIM**

The ornamental design for a camera housing, as shown and described.

**DESCRIPTION**

FIG. 1 is a top, front and right perspective view of a camera housing showing our new design; FIG. 2 is a front view thereof; FIG. 3 is a rear view thereof; FIG. 4 is top view thereof; FIG. 5 is a bottom view thereof; FIG. 6 is a right view thereof; and, FIG. 7 is a left view thereof.

**1 Claim, 6 Drawing Sheets**



(56)

References Cited

U.S. PATENT DOCUMENTS

D425,092 S	5/2000	Eto	D668,874 S	10/2012	Robinson	
D425,924 S	5/2000	Burchard	D674,428 S	1/2013	Woodman	
D439,593 S	3/2001	Enderby	D674,429 S	1/2013	Woodman	
D441,386 S	5/2001	Yamazaki	D684,569 S	6/2013	Willenborg	
6,233,400 B1	5/2001	Muramatsu	D685,178 S	7/2013	Lv	
6,315,180 B1	11/2001	Watkins	8,544,643 B2	10/2013	Yim	
D453,177 S	1/2002	Uehara	D693,114 S	11/2013	Lemanski, Sr.	
D458,620 S	6/2002	Su	8,596,890 B2	12/2013	Yim	
D460,474 S	7/2002	Gotham, Sr.	D699,276 S	2/2014	Samuels	
6,545,825 B2	4/2003	Shoji	D699,277 S	2/2014	Samuels	
D474,221 S	5/2003	Cheng	D699,947 S	2/2014	To	
D487,104 S	2/2004	Obata	D700,778 S	3/2014	To	
D491,968 S	6/2004	Isshiki	D702,276 S	4/2014	Woodman	
6,821,173 B2	11/2004	McCausland	D702,277 S	4/2014	Woodman	
D504,904 S	5/2005	Nagai	D702,747 S	4/2014	Woodman	
6,955,484 B2	10/2005	Woodman	D702,754 S	4/2014	Bould	
6,991,504 B1	1/2006	English	D710,611 S	8/2014	To	
7,060,921 B2	6/2006	Kubo	D710,921 S	8/2014	Gioscia	
D524,836 S	7/2006	Morita	D710,922 S	8/2014	Gioscia	
D527,403 S	8/2006	Byun	8,837,928 B1	9/2014	Clearman	
D528,580 S	9/2006	Sumita	8,870,475 B1	10/2014	Bennett	
7,117,699 B2	10/2006	Bistline	D719,811 S	12/2014	Cooper	
D532,029 S	11/2006	Kim	D721,395 S	1/2015	Woodman	
D532,030 S	11/2006	Yoshida	D724,637 S	3/2015	Samuels	
D532,433 S	11/2006	Sato	D724,638 S	3/2015	Samuels	
D533,574 S	12/2006	Hamamura	D725,169 S	3/2015	Gioscia	
D534,564 S	1/2007	Tainaka	9,004,783 B1	4/2015	Woodman	
D535,676 S	1/2007	Dayan	D729,515 S	5/2015	Slimane	
7,182,529 B2	2/2007	Kurosawa	D732,593 S	6/2015	Woodman	
7,182,661 B2	2/2007	Sams	D733,787 S	7/2015	Baker	
D538,322 S	3/2007	Horikiri	D733,788 S	7/2015	Baker	
D538,324 S	3/2007	Masamitsu	D734,799 S	7/2015	Woodman	
D540,669 S	4/2007	George	D735,260 S	7/2015	Bould	
D540,841 S	4/2007	Yamagishi	D735,790 S	8/2015	Gioscia	
D550,742 S	9/2007	Ishii	D737,879 S	9/2015	Woodman	
7,295,388 B2	11/2007	Shyu	D739,451 S	9/2015	Gioscia	
D562,374 S	2/2008	Miyashita	D740,868 S	10/2015	Gioscia	
D566,148 S	4/2008	Akita	D740,875 S	10/2015	Woodman	
D566,714 S	4/2008	Schaefer	D740,876 S	10/2015	Woodman	
7,413,357 B2	8/2008	Badalian	D741,394 S	10/2015	Gioscia	
D582,955 S	12/2008	Sekine	D750,146 S	2/2016	Costa	
D600,265 S	9/2009	Miyashita	D750,680 S	3/2016	Chen	
D605,680 S	12/2009	Okada	D751,133 S	3/2016	Gioscia	
7,626,621 B2	12/2009	Ito	D752,671 S	3/2016	Harrison	
7,653,292 B2	1/2010	Yamaguchi	D752,672 S	3/2016	Clearman	
7,683,968 B2	3/2010	Hagihara	D754,238 S	4/2016	Woodman	
7,690,852 B2	4/2010	Kato	D754,240 S	4/2016	Samuels	
D616,479 S	5/2010	Ganahl, Jr.	D763,941 S	8/2016	Smith	
D618,266 S	6/2010	Imaeda	D767,009 S	9/2016	Hinkel	
D621,432 S	8/2010	Yim	D768,752 S	10/2016	Silver	
D622,591 S	8/2010	Biesecker, II	D772,322 S	11/2016	Zhang	
7,768,727 B2	8/2010	Iida	D776,741 S *	1/2017	Parfitt .....	D16/204
7,801,439 B2	9/2010	Nagata	D777,821 S	1/2017	Gioscia	
D635,436 S	4/2011	Barton	D778,335 S	2/2017	Gioscia	
D635,437 S	4/2011	Barton	D778,336 S	2/2017	Gioscia	
D635,438 S	4/2011	Barton	D785,697 S	5/2017	Costa	
D635,439 S	4/2011	Barton	D789,435 S	6/2017	Nguyen	
D635,440 S	4/2011	Barton	D799,479 S	10/2017	Wieser	
D639,844 S	6/2011	Lee	D800,818 S	10/2017	Woodman	
D640,058 S	6/2011	Molina	D800,819 S	10/2017	Parfitt	
D641,388 S	7/2011	Shih	D804,560 S	12/2017	Costa	
D641,389 S	7/2011	Dastagir	D806,775 S	1/2018	Nguyen	
D642,054 S	7/2011	Samartgis	D808,163 S	1/2018	Song	
D644,679 S	9/2011	Woodman	D818,029 S	5/2018	Fujita	
D645,725 S	9/2011	Katz	D821,480 S	6/2018	Gioscia	
8,014,656 B2	9/2011	Woodman	D821,481 S	6/2018	Gioscia	
D646,313 S	10/2011	Woodman	10,101,637 B2	10/2018	Peddecord	
D647,303 S	10/2011	Mish	D835,910 S	12/2018	Eliyahu	
D647,554 S	10/2011	Yim	D837,861 S	1/2019	Luo	
D648,363 S	11/2011	Takagi	D840,463 S	2/2019	Nguyen	
D648,364 S	11/2011	Tsukamoto	D852,259 S	6/2019	Gioscia	
D657,808 S	4/2012	Woodman	D856,391 S	8/2019	Liu	
D657,811 S	4/2012	Woodman	D868,131 S *	11/2019	Hu .....	D16/200
8,150,248 B1	4/2012	Woodman	D869,539 S *	12/2019	Hu .....	D16/200
D667,041 S	9/2012	Uehara	D876,521 S	2/2020	Costa	
			D888,792 S *	6/2020	Luo .....	D16/200
			D911,418 S	2/2021	Yap	
			D921,084 S *	6/2021	Muhlenkamp, IV .....	D16/200
			D924,297 S *	7/2021	Imai .....	D16/202



(56)

**References Cited**

U.S. PATENT DOCUMENTS

2003/0035052	A1	2/2003	Baron
2003/0133206	A1	7/2003	Belefant
2005/0007553	A1	1/2005	Romanoff
2005/0019029	A1	1/2005	Kawakami
2005/0212959	A1	9/2005	Manabe
2006/0233545	A1	10/2006	Senba
2007/0071423	A1	3/2007	Fantone
2007/0242134	A1	10/2007	Zernov
2008/0083360	A1	4/2008	Rowley
2009/0032420	A1	2/2009	Zenzai
2009/0110380	A1	4/2009	Fantone
2009/0317069	A1	12/2009	Yim
2011/0147245	A1	6/2011	Yim
2015/0030320	A1	1/2015	Clearman
2016/0134788	A1	5/2016	Clearman
2016/0252801	A1	9/2016	Harrison

OTHER PUBLICATIONS

'Sticky Pod—Boat Camera Mount,' Sticky Pod Camera Mounts, Sticky Pod.RTM., 2003-2007, [Online] [Retrieved on Nov. 16, 2008] Retrieved from the Internet<URL:http://www.stickypod.com/boat.sub.--camera.sub.--moun- t.html>. 3 pages.  
 Huang, J., "Part 19—Oct. 21: Interbike Bits and Baubles," Interbike Show, Las Vegas, Nevada, USA, Sep. 22-26, 2008, Cyclingnews.com, [Online] [Retrieved on Oct. 21, 2008] Retrieved from the

Internet<URL:http://www.cyclingnews.com/tech/2008/shows/interbike08/?i- d=result . . . >. 3 pages.  
 'Tekkno Trading Project—Brandnews,' NSP, Jan. 2008, p. 59.  
 Volk, W., 'Go Pro's Digital Hero Camera,' Divester, Posted Dec. 5, 2008, [Online] [Retrieved on Sep. 16, 2009] Retrieved from the Internet<URL:http://www.divester.com/2006/12/05/go-pro-digital- hero-camera/>. 3 pages.  
 'GoPro Hero 3 Sports Wrist Camera Review,' PaddleDogNation, 2006, 6 pages, [Online] [Retrieved on Aug. 8, 2007] Retrieved from the Internet<URL:http://paddledognation.com/Reviews/ PaddlingGearReviews/He- ro3Ca . . . >.  
 'Maui Surf Report: New SUP Camera Mount,' 8 Pages, [Online] [Retrieved on Nov. 16, 2008] Retrieved from the Internet<URL:http:// mauisurfreport.blogspot.com/2007/08/new-sup-camera- -mount. html>.  
 PCT International Search Report and Written Opinion, PCT/US2009/ 049823, dated Sep. 1, 2009, 7 pages.  
 Office Action for U.S. Appl. No. 13/193,369, dated Oct. 18, 2011, 6 Pages.  
 Office Action for U.S. Appl. No. 12/498,876, dated Jan. 12, 2011, 10 Pages.  
 Office Action for U.S. Appl. No. 12/498,876, dated Sep. 17, 2010, 12 Pages.  
 GoPro, Inc., 'Cameras,' 2014, 3 Pages, [online][Archived on webarchive. org on Mar. 30, 2014] [Retrieved on Aug. 31, 2015] Retrieved from the internet <URL:https://web.archive.org/web/20140330221442/ http://gopro.com/cameras>.

\* cited by examiner

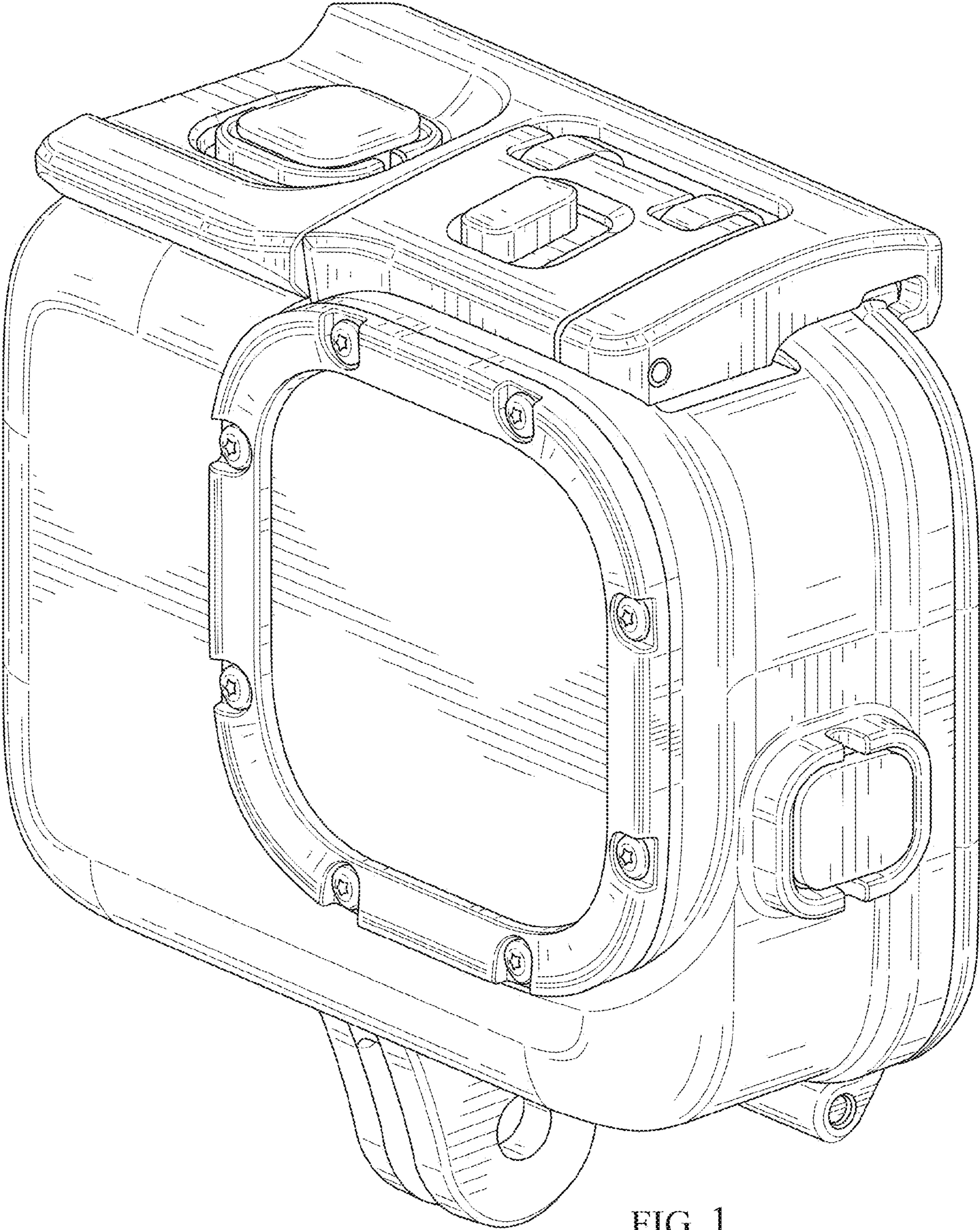


FIG. 1



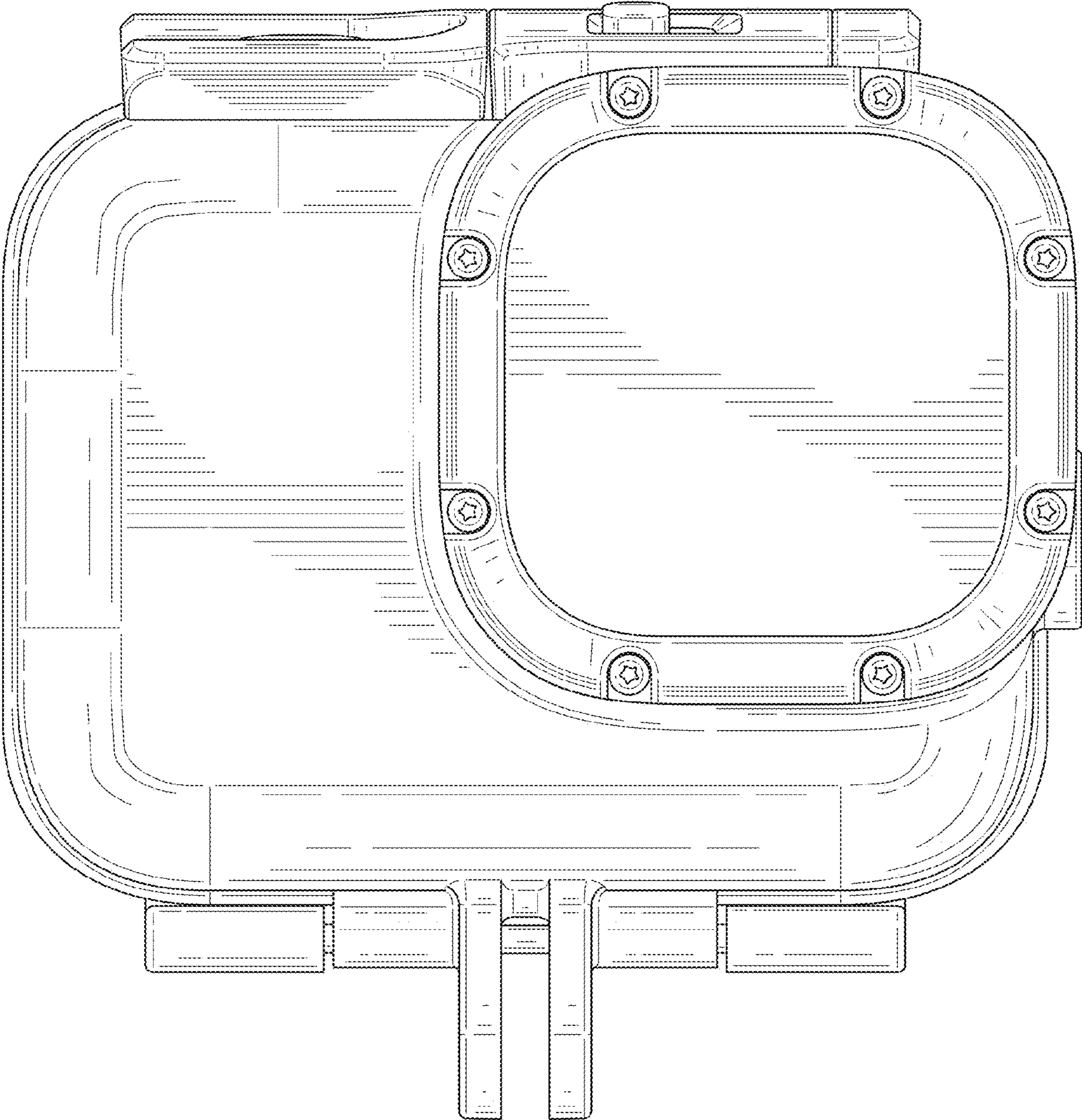


FIG. 2

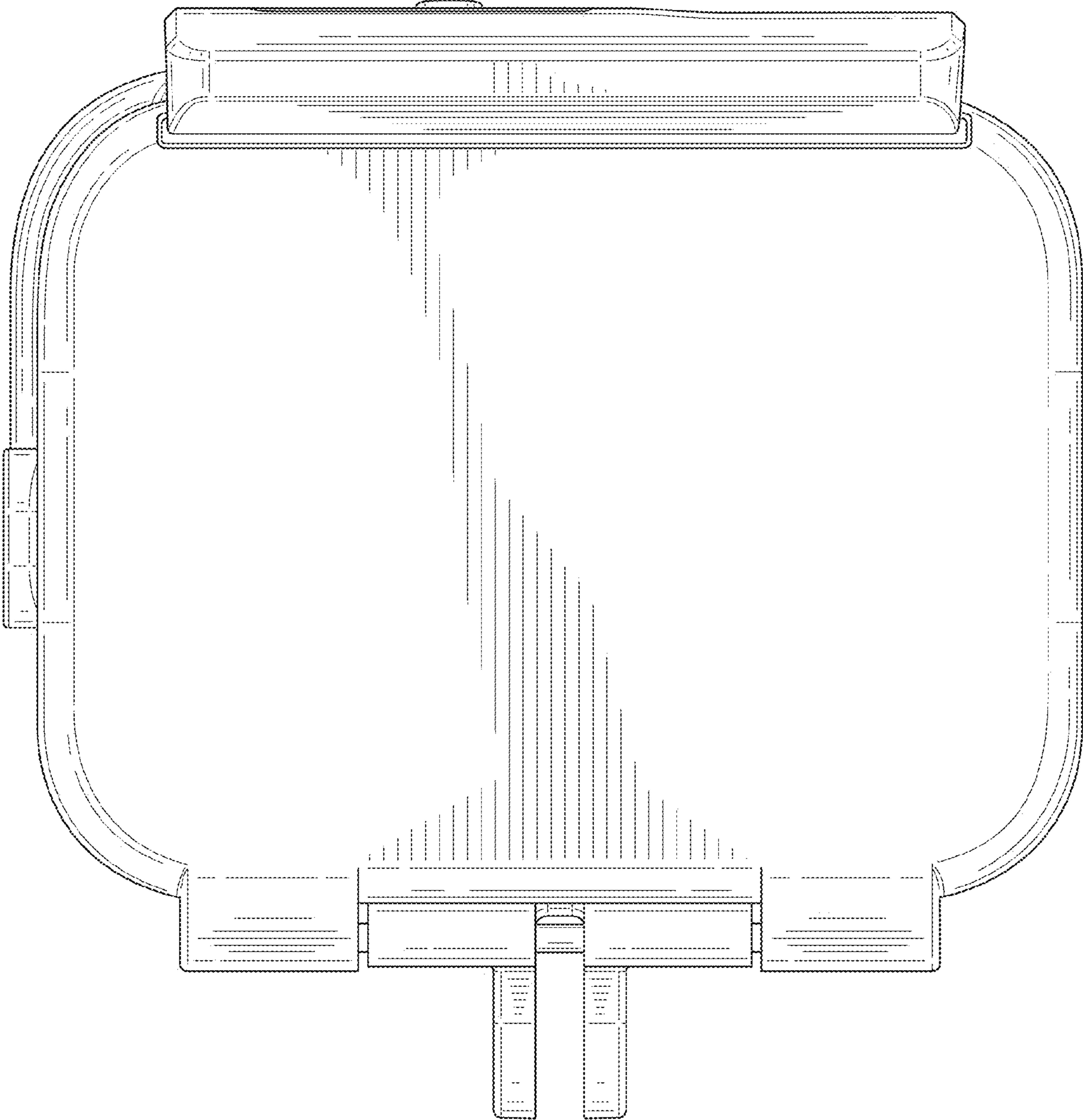


FIG. 3

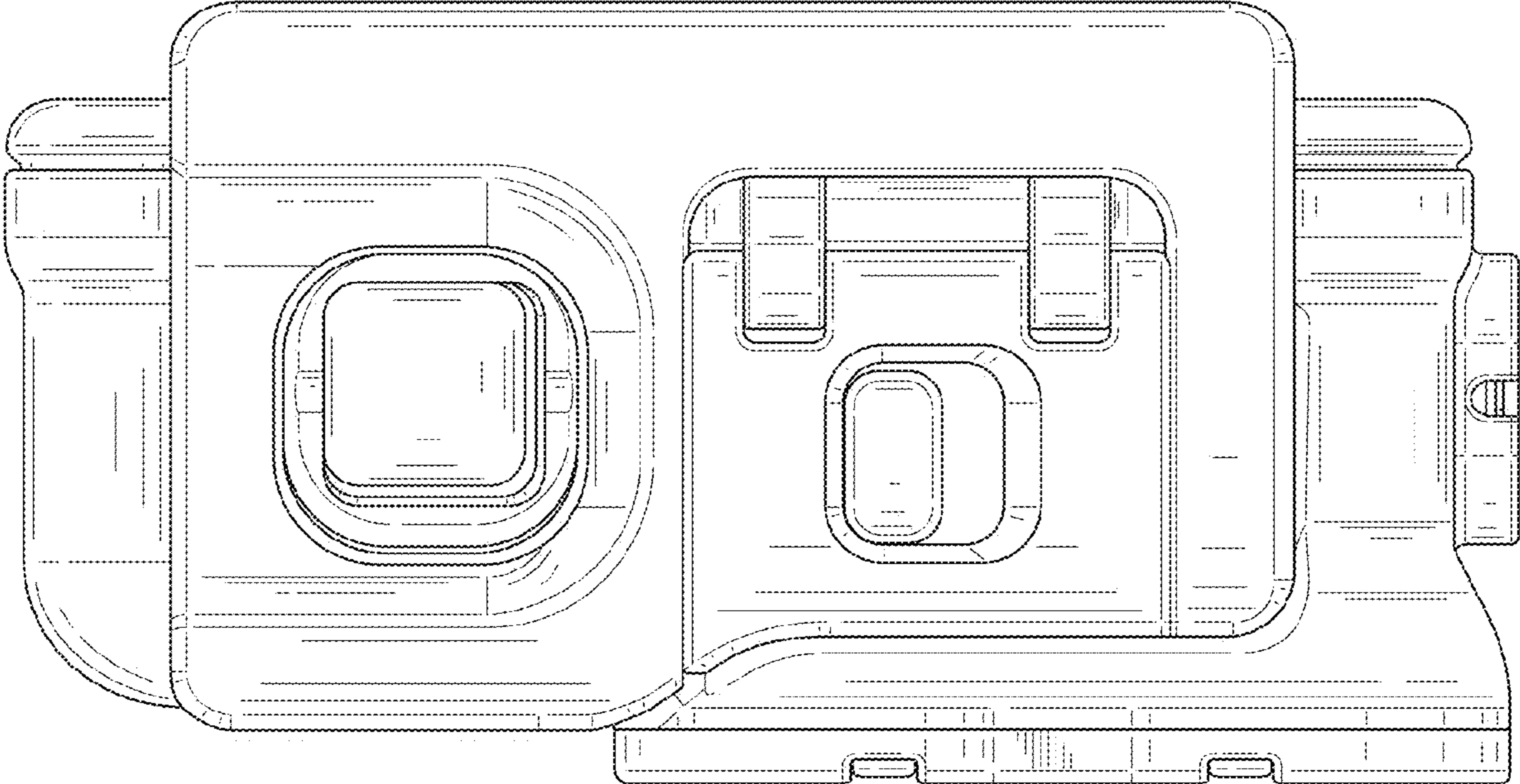


FIG. 4

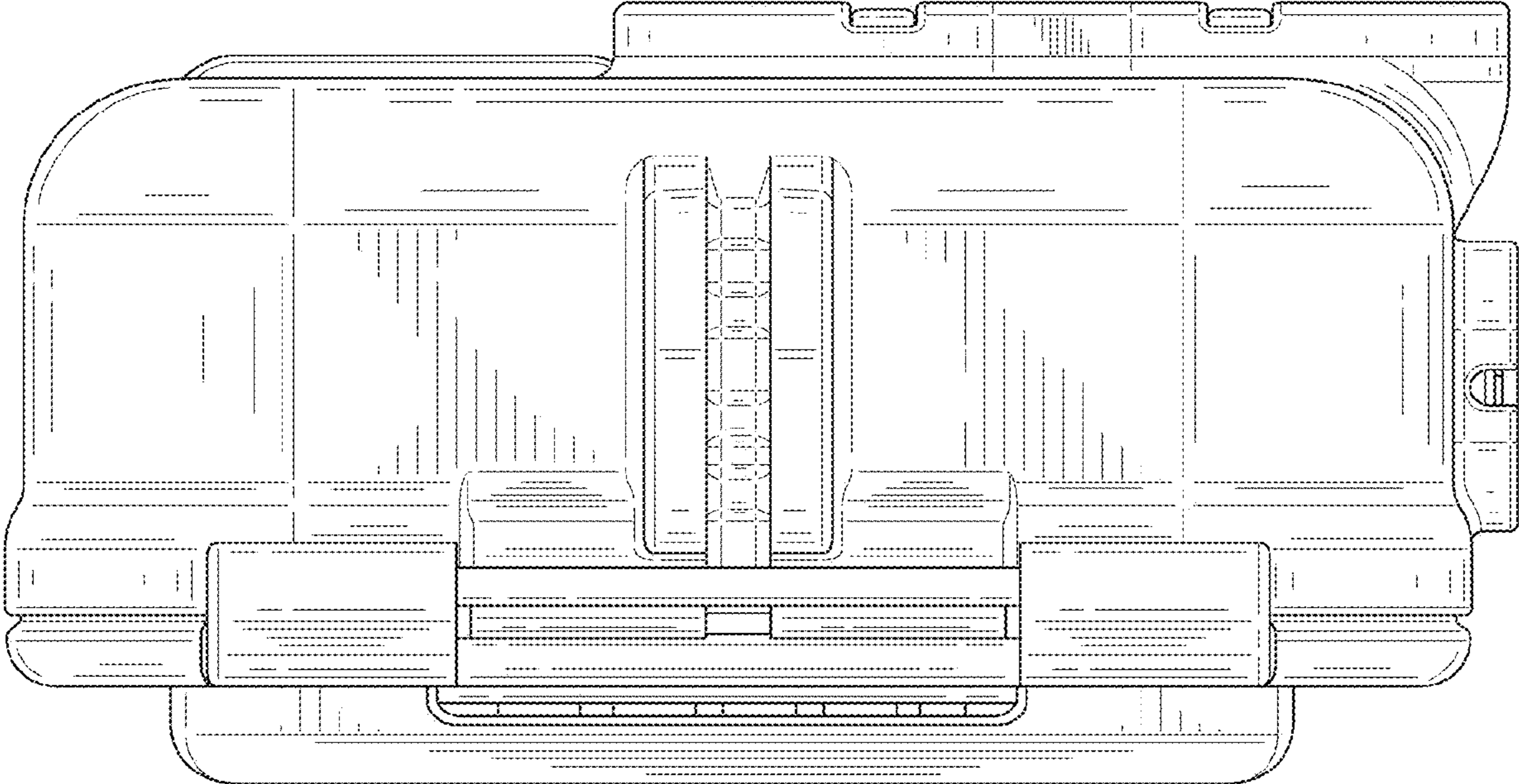


FIG. 5

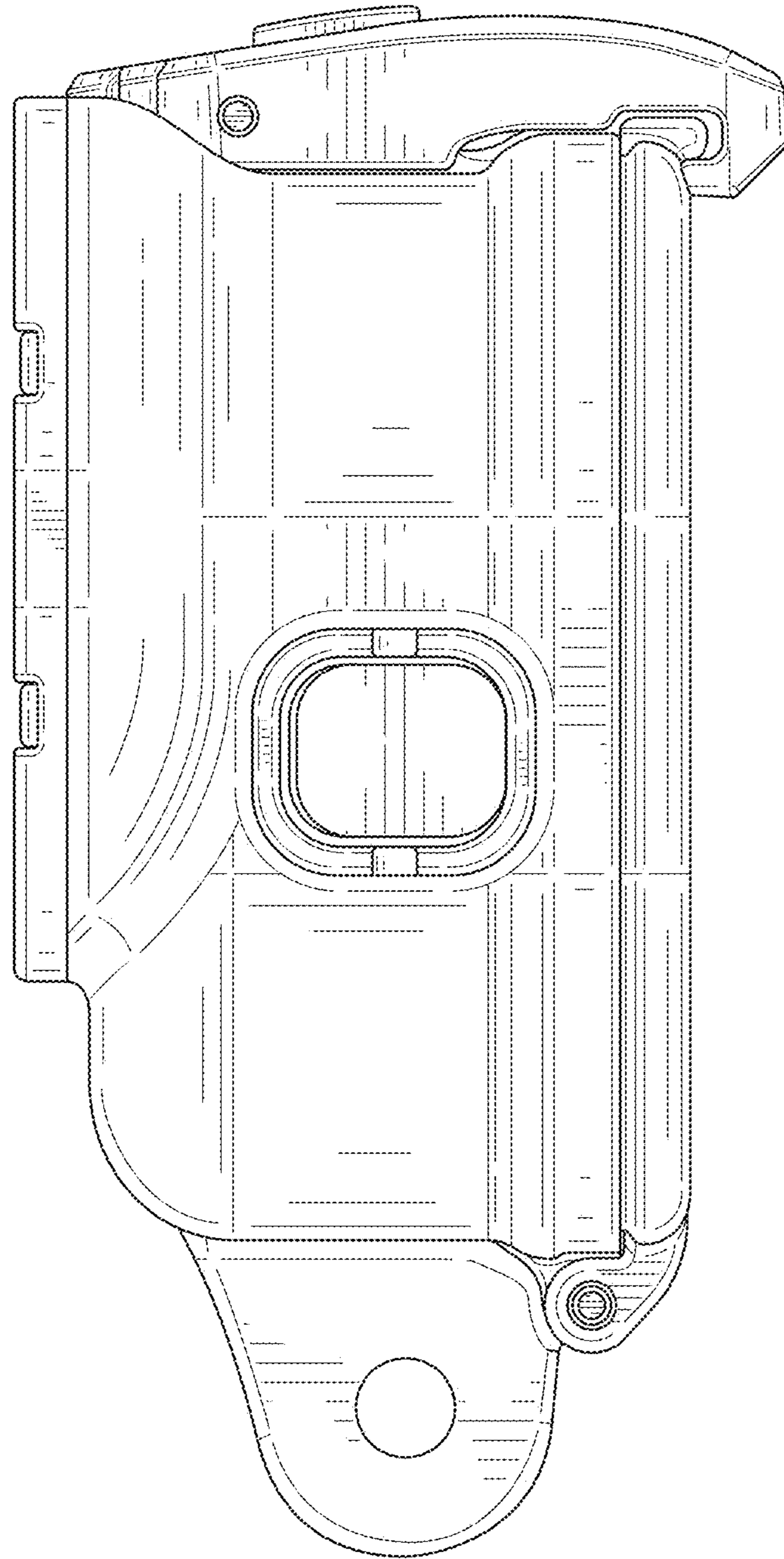


FIG. 6



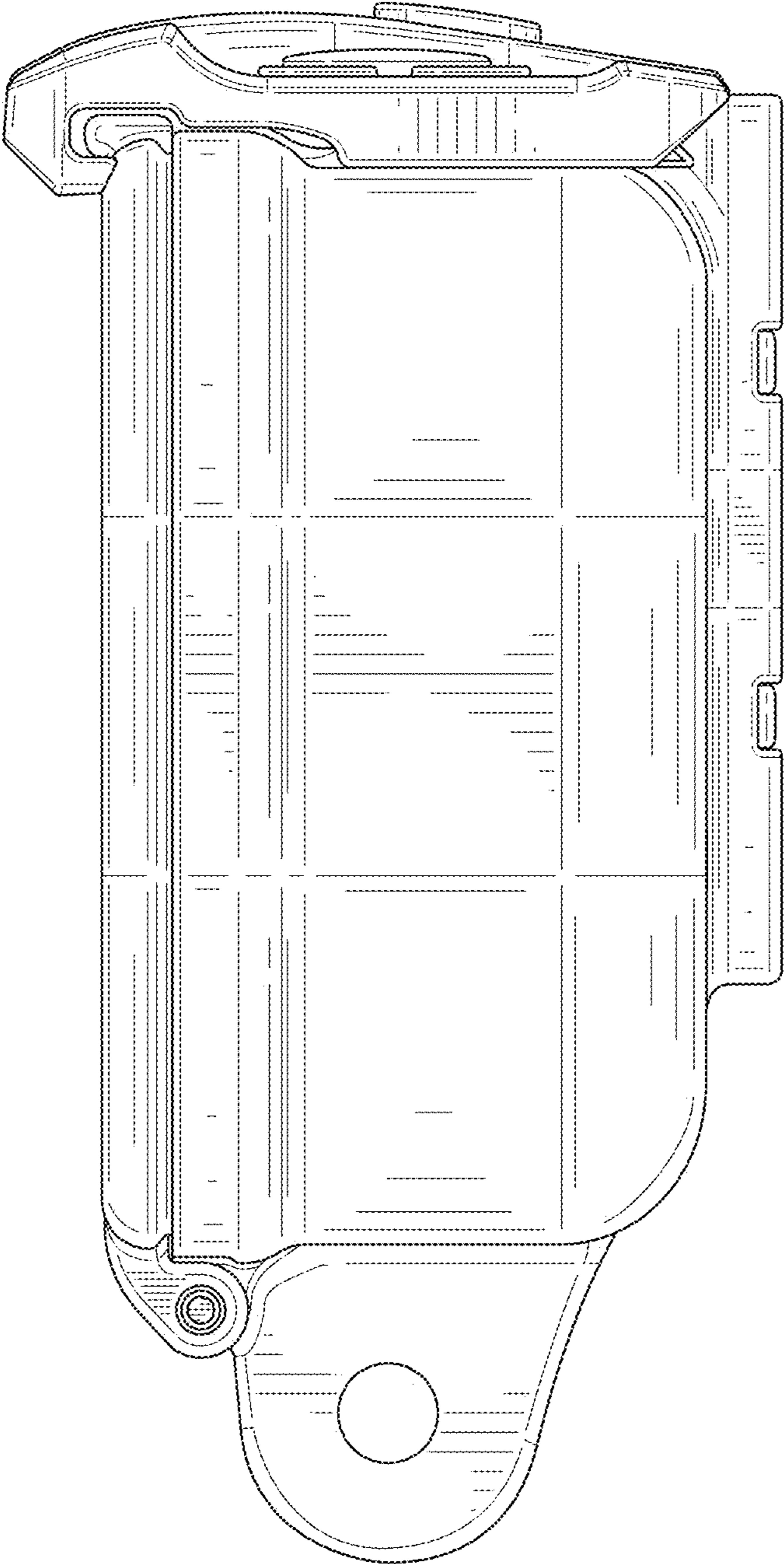


FIG. 7