

US00D949221S

(12) **United States Design Patent**  
**Chen**

(10) **Patent No.:** **US D949,221 S**

(45) **Date of Patent:** **\*\* Apr. 19, 2022**

(54) **NIGHT VISION GOGGLES**

(71) Applicant: **Dongguan Aomeijia Electronic Co., Ltd.**, Dongguan (CN)

(72) Inventor: **Zhujun Chen**, Dongguan (CN)

(73) Assignee: **Dongguan Aomeijia Electronic Co., Ltd.**, Dongguan (CN)

(\*\*) Term: **15 Years**

(21) Appl. No.: **29/783,638**

(22) Filed: **May 14, 2021**

(30) **Foreign Application Priority Data**

May 6, 2021 (CN) ..... 202130266740.0

(51) **LOC (13) Cl.** ..... **16-06**

(52) **U.S. Cl.**  
USPC ..... **D16/133**

(58) **Field of Classification Search**  
USPC ..... D10/70, 109.1, 109.2; D16/130, 131, D16/132, 133, 134, 135, 136, 202-208, D16/245, 219; D24/120, 113, 118, 119, D24/121, 122, 124, 125, 128  
CPC ... G01C 3/00; G01C 3/02; G01C 3/04; G01C 3/06; G01C 3/08; G01C 3/085; G01C 3/10; G01C 3/12; G01C 3/16; G01C 3/18; G01C 3/20; G01C 3/22; G01C 3/24; G01C 3/26; G01C 3/28; G01C 3/30; G01C 3/32; E06B 9/24; G02B 23/00; G02B 23/16; G02B 23/18; G02B 2003/0093; G02B 3/04; G03B 17/02

See application file for complete search history.

(56) **References Cited**

**U.S. PATENT DOCUMENTS**

D362,257 S \* 9/1995 Palmer ..... D16/133  
D424,081 S \* 5/2000 Gordon ..... D16/231

6,499,594 B1 \* 12/2002 Koch ..... G02B 23/18  
206/316.3  
D484,900 S \* 1/2004 Lee ..... D16/133  
D521,037 S 5/2006 Swift et al.  
D669,107 S \* 10/2012 Yoneda ..... D16/133  
D752,670 S \* 3/2016 Chen ..... D16/132  
D850,507 S \* 6/2019 Sun ..... D16/133  
D851,152 S \* 6/2019 Hebert ..... D16/131  
D851,153 S \* 6/2019 Chen ..... D16/133  
D867,418 S \* 11/2019 Sakai ..... D16/133  
10,466,046 B1 \* 11/2019 Chang ..... G02B 23/12  
10,466,467 B2 \* 11/2019 Chen ..... G02B 7/06  
D911,410 S 2/2021 An

(Continued)

**OTHER PUBLICATIONS**

Jstoon Night Vision Goggles, <https://www.amazon.com/dp/B082PXZNNZ/>, Nov. 9, 2020 (Year: 2020).\*

*Primary Examiner* — Richard Kearney  
*Assistant Examiner* — Benjamin M Weeks

(57) **CLAIM**

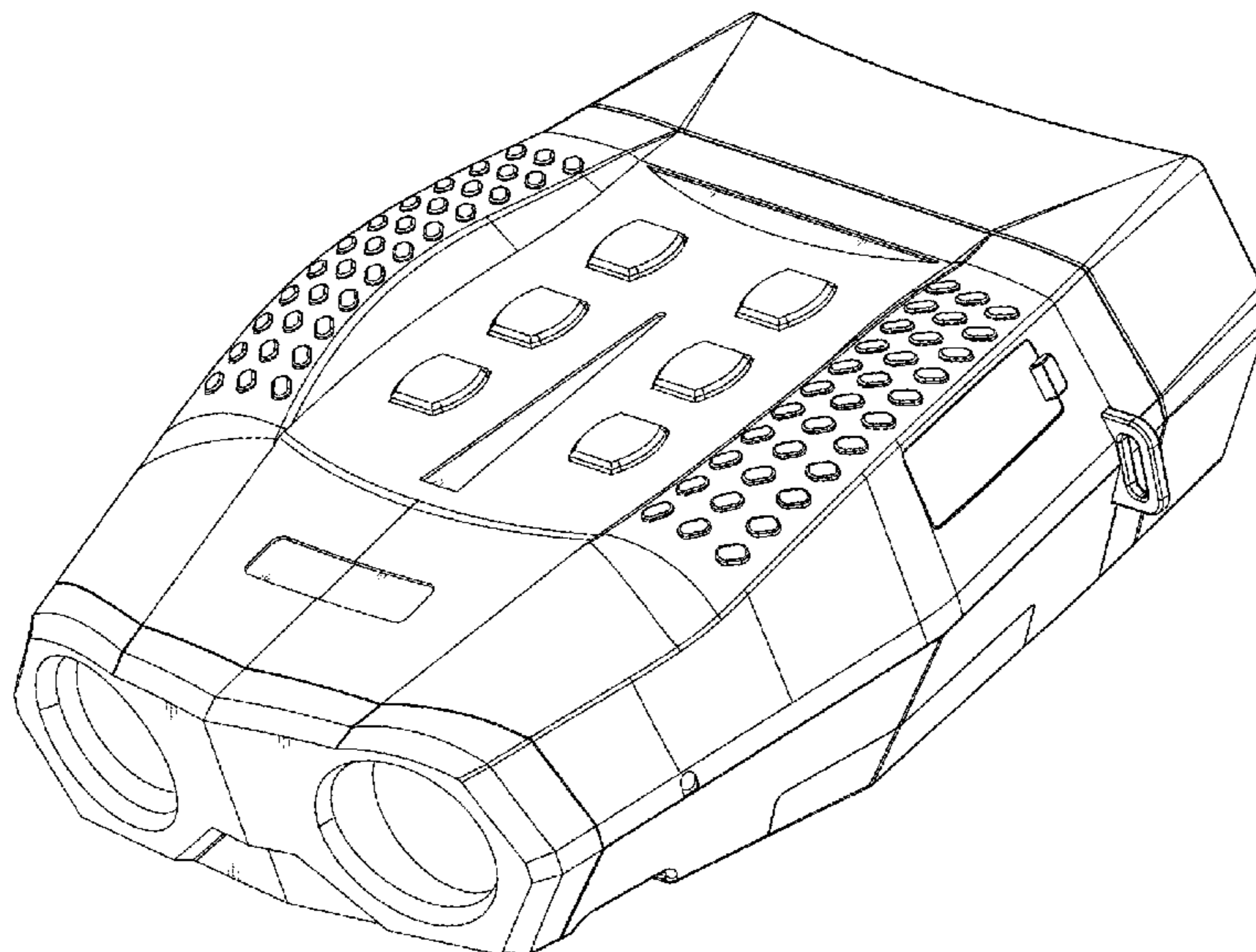
The ornamental design for a night vision goggles, as shown and described.

**DESCRIPTION**

FIG. 1 is a perspective view of a night vision goggles showing my new design;  
FIG. 2 is a front elevational view thereof;  
FIG. 3 is a rear elevational view thereof;  
FIG. 4 is a left side elevational view thereof;  
FIG. 5 is a right side elevational view thereof;  
FIG. 6 is a top plan view thereof;  
FIG. 7 is a bottom plan view thereof; and,  
FIG. 8 is another perspective view of the night vision goggles shown in FIG. 1.

The broken lines in the drawings depict portions of the night vision goggles that form no part of the claimed design.

**1 Claim, 8 Drawing Sheets**



(56)

**References Cited**

U.S. PATENT DOCUMENTS

D936,130 S \* 11/2021 Eastwood ..... D16/218  
D938,507 S \* 12/2021 Zeng ..... D16/133  
D941,901 S \* 1/2022 Chen ..... D16/133  
2004/0046953 A1\* 3/2004 Nagata ..... G01C 3/08  
356/4.01  
2012/0206799 A1\* 8/2012 Riley ..... G02B 23/18  
359/418  
2016/0077354 A1\* 3/2016 Takano ..... H04N 5/23287  
359/557  
2019/0101743 A1\* 4/2019 Chen ..... G02B 23/12  
2021/0021755 A1\* 1/2021 Salzburger ..... H04N 5/23293  
2021/0141219 A1\* 5/2021 Chen ..... G02B 23/12

\* cited by examiner

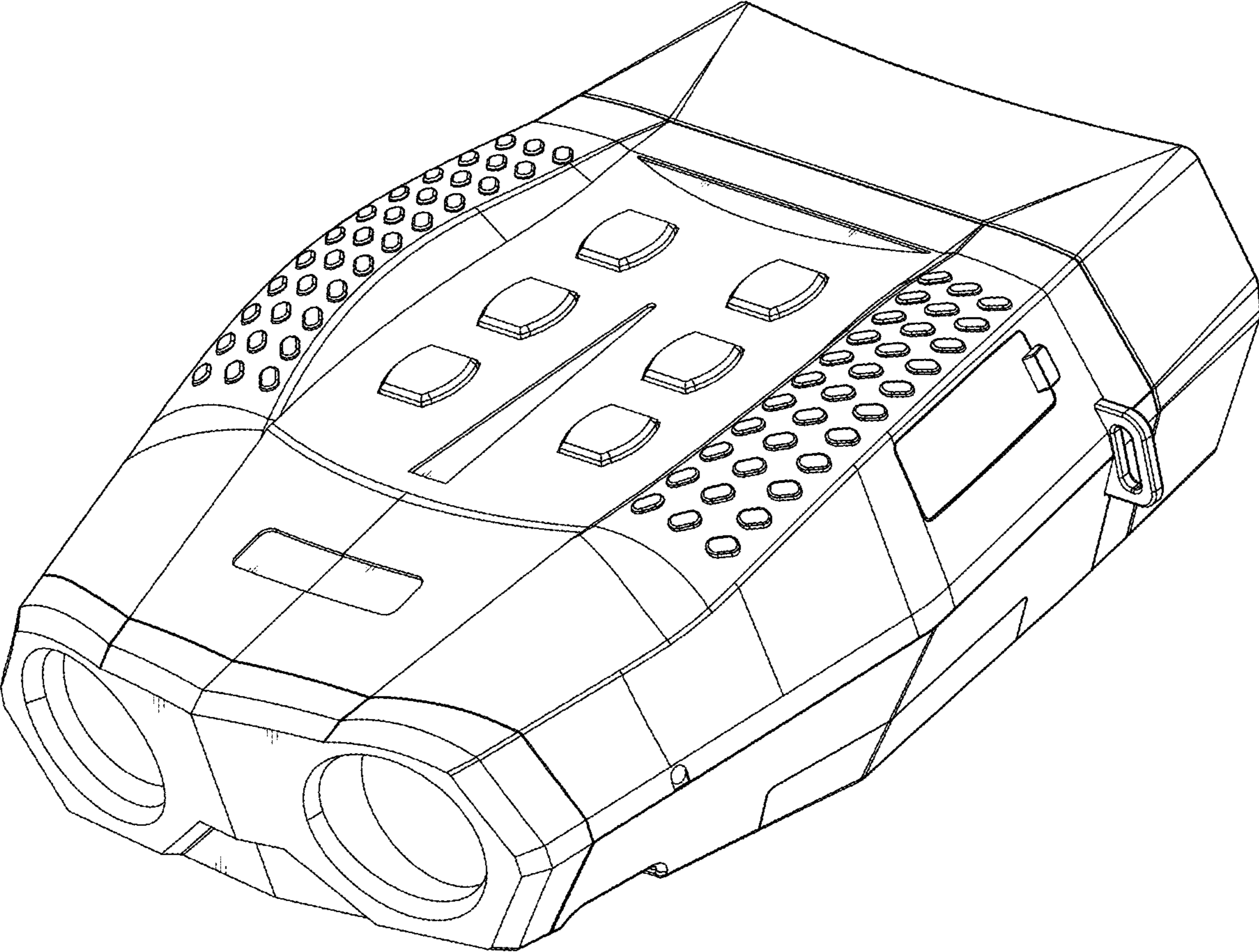


FIG. 1

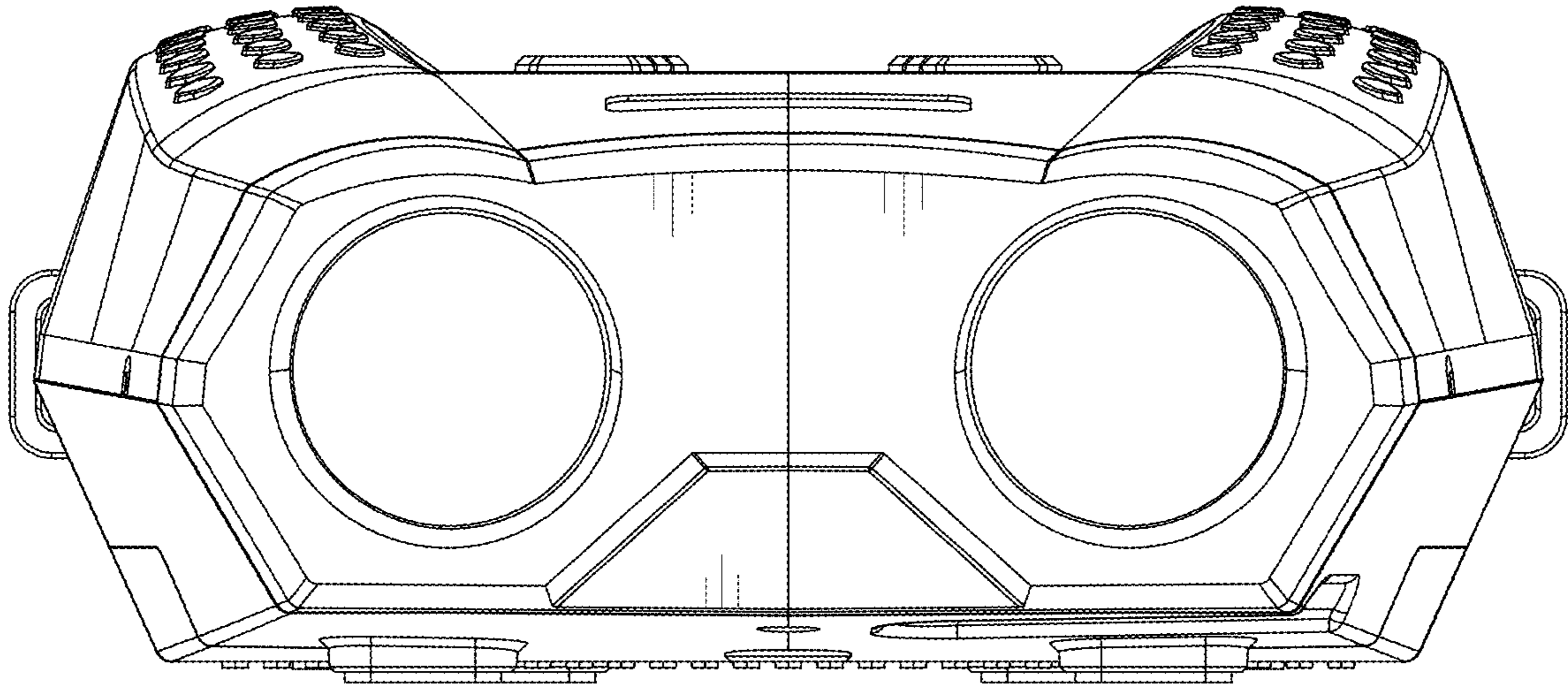


FIG. 2

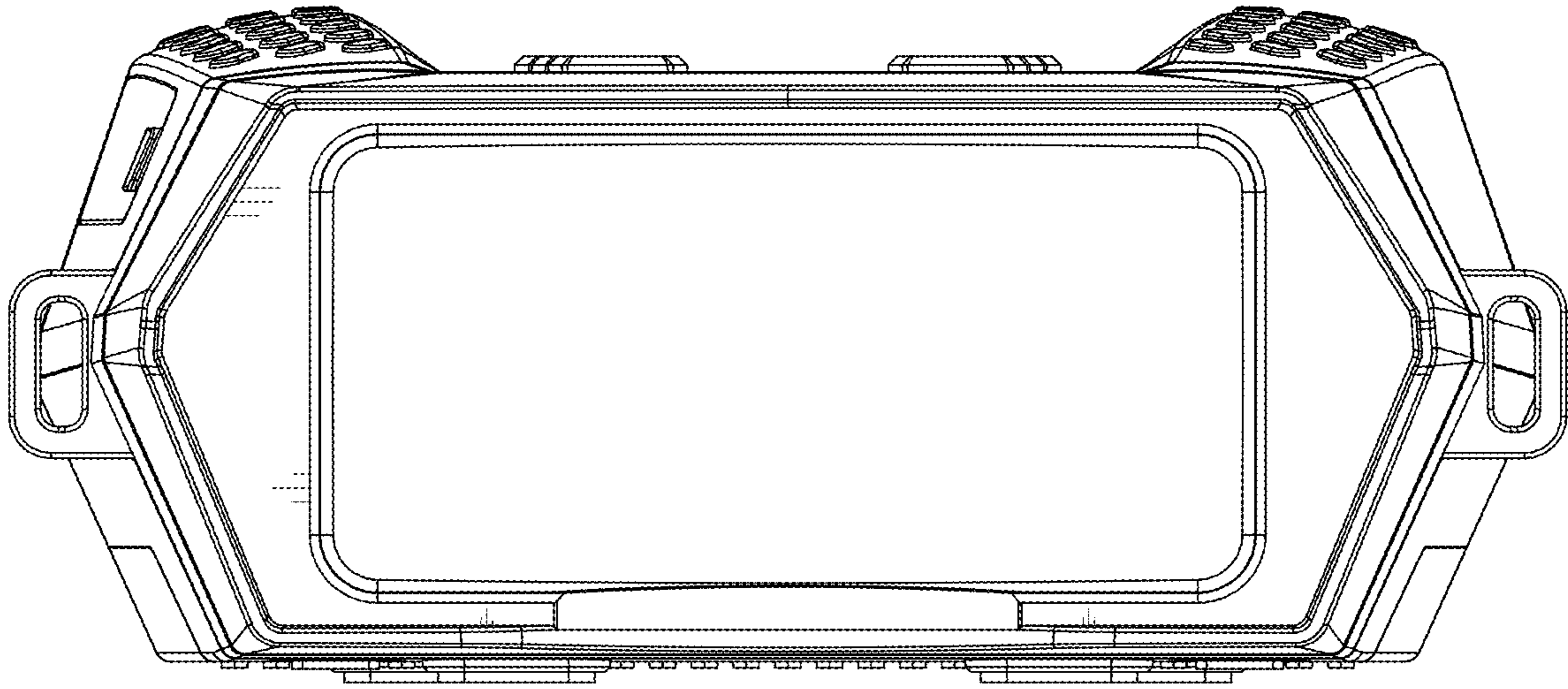


FIG. 3

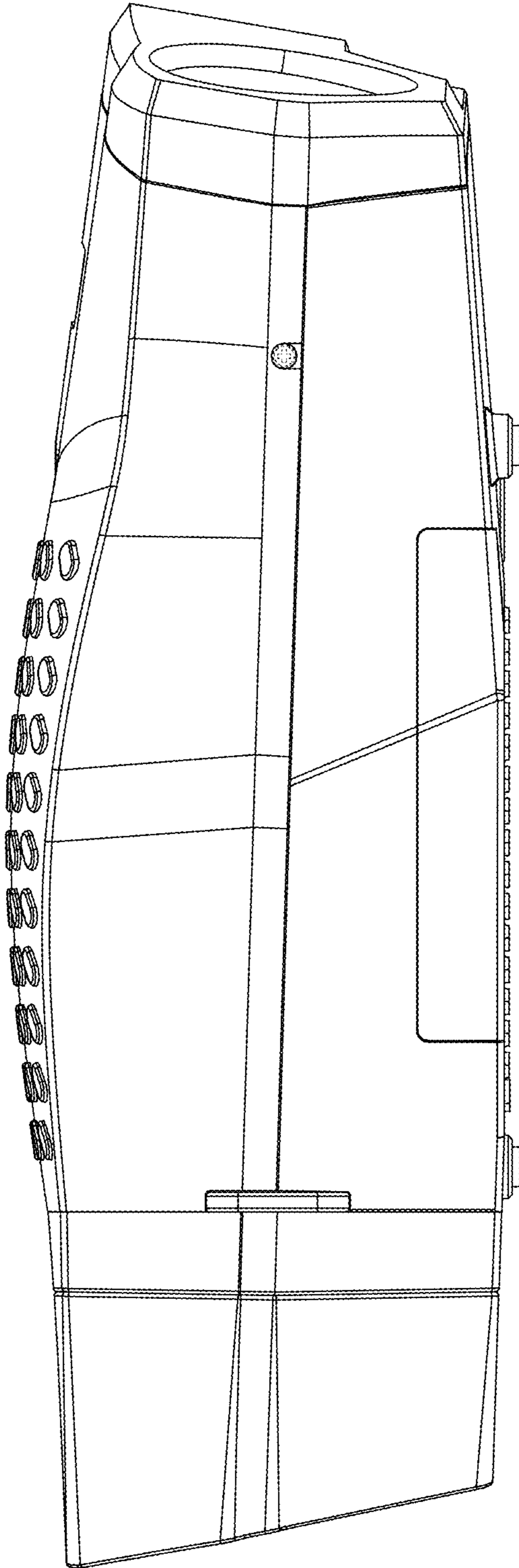


FIG. 4

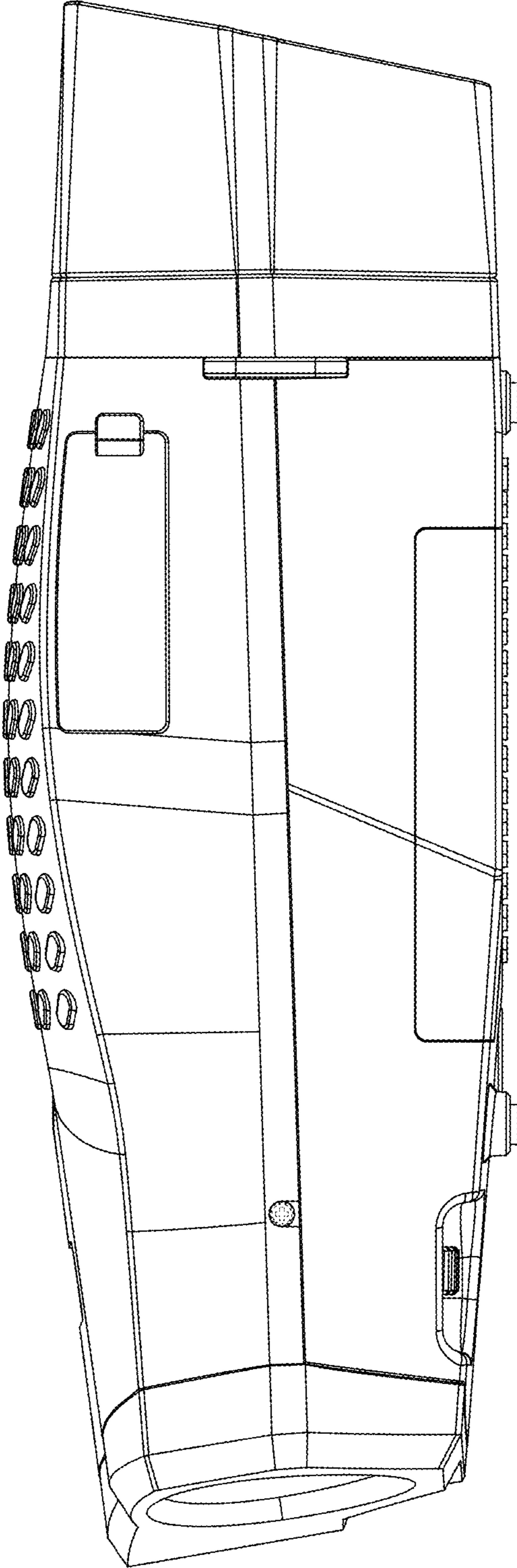


FIG. 5

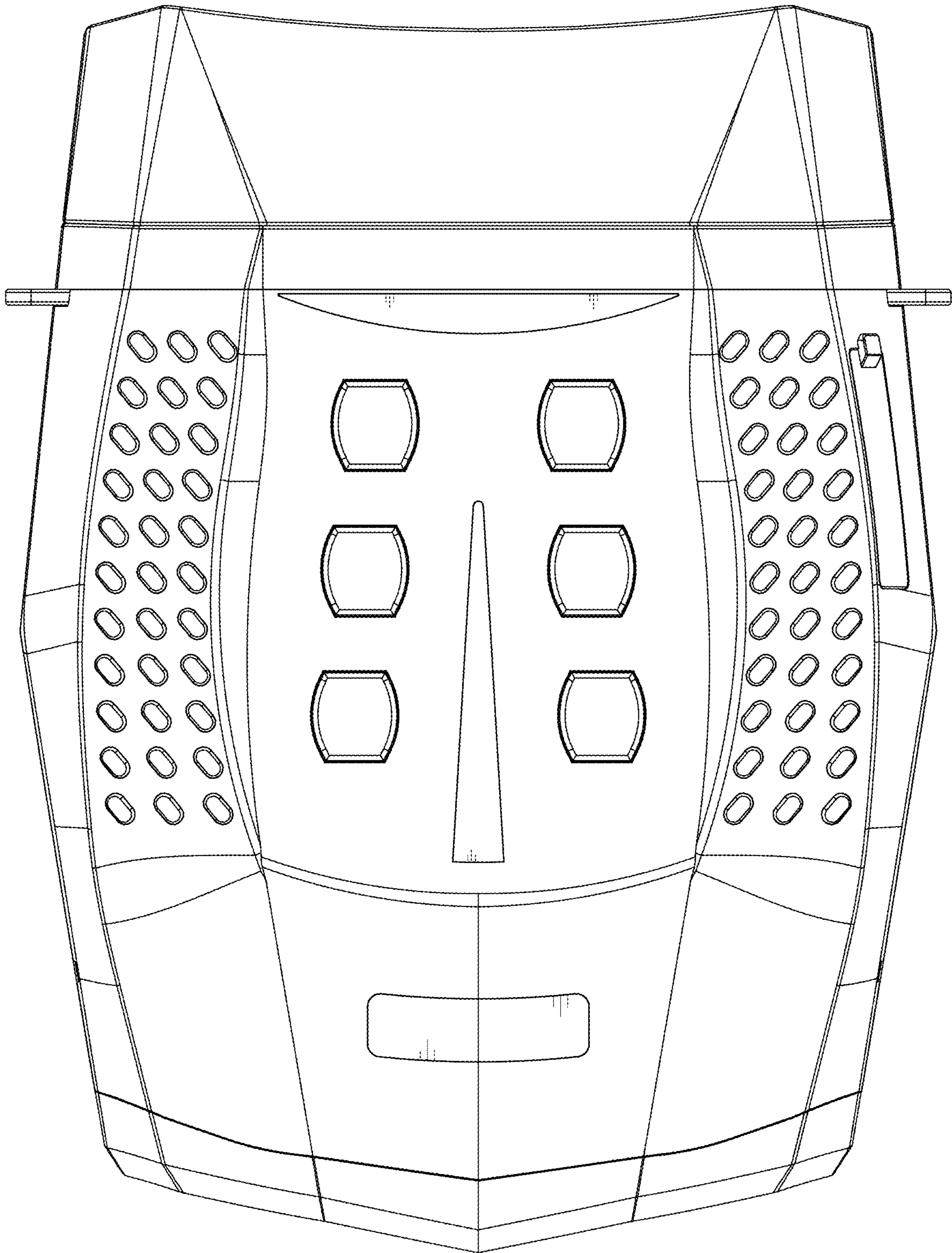


FIG. 6



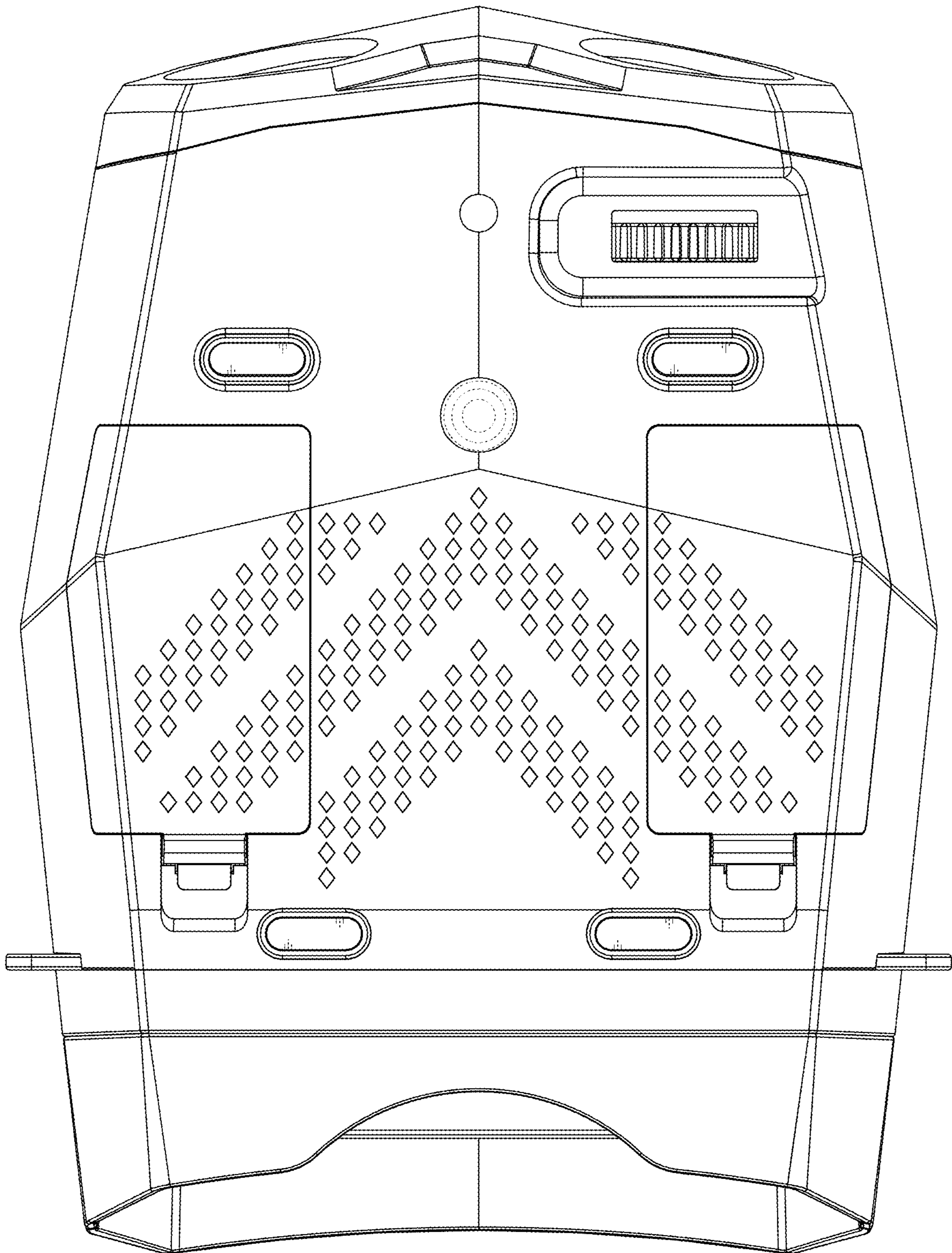


FIG. 7

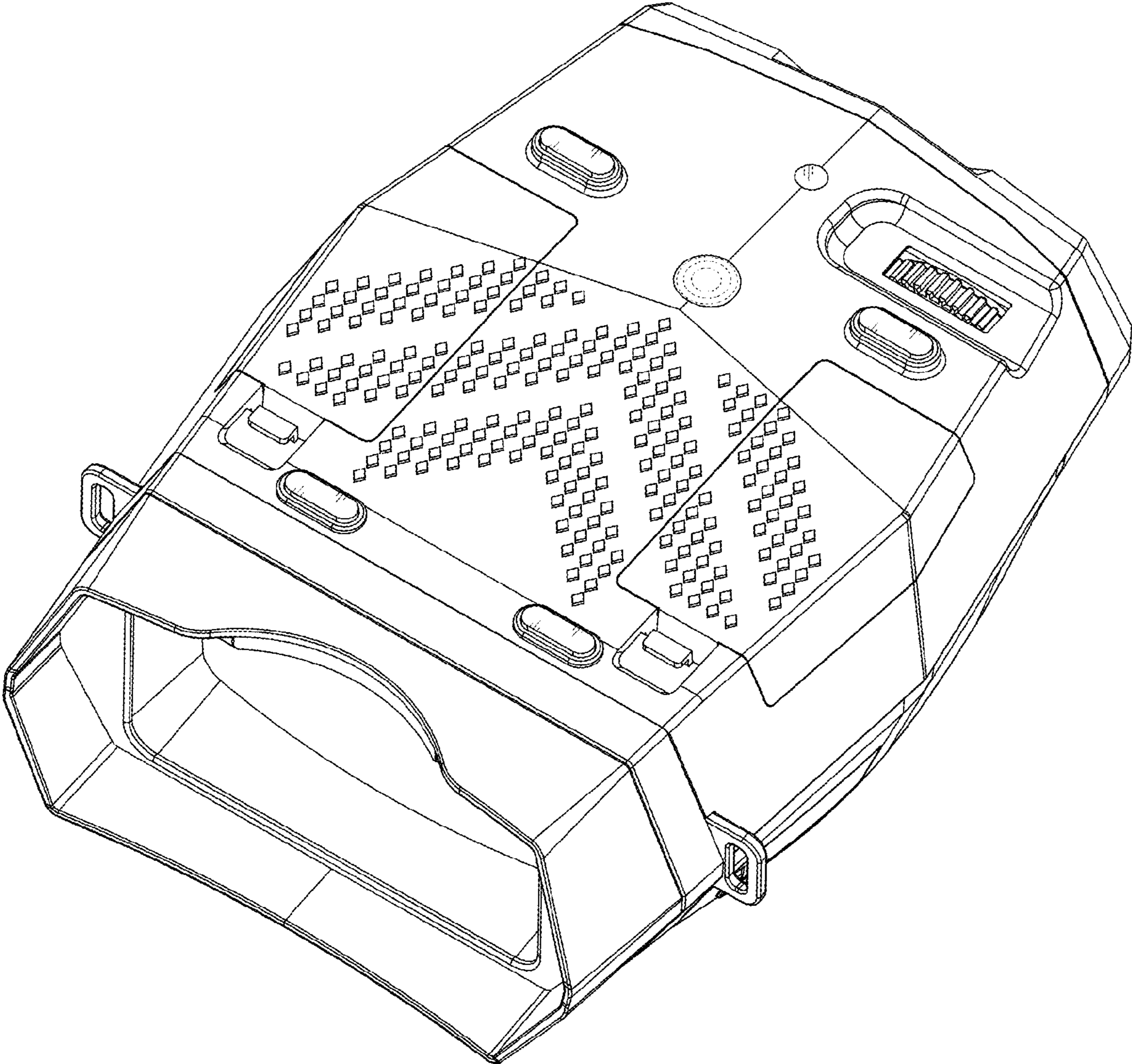


FIG. 8