



US00D949219S

(12) **United States Design Patent** (10) **Patent No.:** **US D949,219 S**  
**Tiwary et al.** (45) **Date of Patent:** **\*\* Apr. 19, 2022**

- (54) **SPATULA GRIPPER** 6,467,826 B2 \* 10/2002 Stromberg ..... B21J 15/10  
294/86.4
- (71) Applicant: **Grey Orange Pte. Ltd.**, Singapore D588,431 S \* 3/2009 Fukano ..... D8/72  
(SG) D644,675 S \* 9/2011 Abed ..... D15/199  
8,460,394 B2 \* 6/2013 Lee ..... A61F 2/583  
623/64
- (72) Inventors: **Sumit Kumar Tiwary**, Gorakhpur (IN); D720,966 S \* 1/2015 Sullivan, Jr. .... D7/669  
**Mathew Livianu**, Malden, MA (US); D783,695 S \* 4/2017 Ke ..... D15/143  
**Sameer Narkar**, Mumbai (IN); **Shawn** D809,041 S \* 1/2018 Zhang ..... D15/199  
**Schaffert**, Arlington, MA (US); **Akash** 9,975,255 B1 \* 5/2018 Bosboom ..... B25J 15/0014  
**Madhukar Patil**, Pune (IN); **Jamie** D833,497 S \* 11/2018 Strain ..... D15/199  
**Nichol**, Carlisle, MA (US); **Daniel** 10,265,862 B1 \* 4/2019 Alqasemi ..... B25J 15/0028  
**Echeverria**, Cambridge, MA (US); D865,827 S \* 11/2019 Zhang ..... D15/199  
**Andreas Hofmann**, Boston, MA (US) 11,104,468 B1 \* 8/2021 Tomasetta ..... B65C 9/36  
2003/0120387 A1 \* 6/2003 Sherwin ..... B25J 15/0052  
700/245
- (73) Assignee: **GREY ORANGE PTE. LTD.**, 2005/0017529 A1 \* 1/2005 Rogers ..... H01L 21/68707  
Singapore (SG) 294/103.1  
2011/0268547 A1 \* 11/2011 Doll ..... B25J 15/00  
414/661
- (\*\*) Term: **15 Years** 2012/0101633 A1 \* 4/2012 Rodnick ..... H01L 21/67265  
700/253
- (21) Appl. No.: **29/747,216** 2016/0082601 A1 \* 3/2016 Zimmerman ..... B25J 15/0226  
294/197

(Continued)

- (22) Filed: **Aug. 20, 2020**
- (51) **LOC (13) Cl.** ..... **15-99**
- (52) **U.S. Cl.**  
USPC ..... **D15/199**
- (58) **Field of Classification Search**  
USPC ..... D8/59, 71-74, 394-399; D15/199;  
D21/578-583, 621, 622  
CPC .... B25J 9/1161; B25J 9/1697; B25J 15/0014;  
B25J 15/0066; B65H 3/0833; B65H  
3/047; B65H 3/42; B65H 2553/42  
See application file for complete search history.

(56) **References Cited**

**U.S. PATENT DOCUMENTS**

- 4,643,473 A \* 2/1987 Douglas ..... B25J 15/0009  
294/111
- 5,562,320 A \* 10/1996 Bloomberg ..... B25J 15/0253  
294/119.1

*Primary Examiner* — Patricia A Palasik  
(74) *Attorney, Agent, or Firm* — Ziegler IP Law Group, LLC

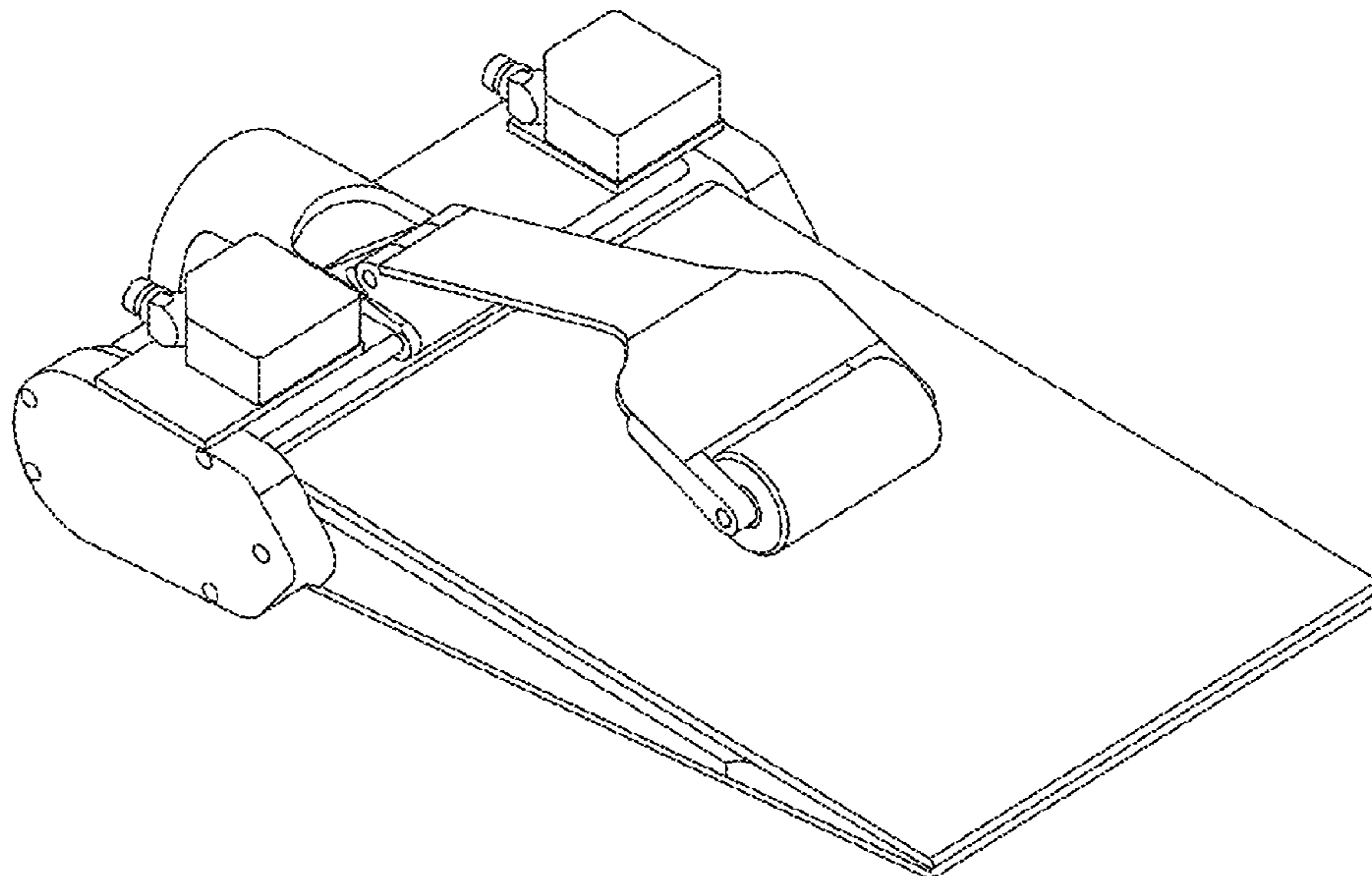
(57) **CLAIM**

The ornamental design for a spatula gripper, as shown and described.

**DESCRIPTION**

FIG. 1 is a perspective view of a spatula gripper showing the new design;  
FIG. 2 illustrates a front view thereof;  
FIG. 3 illustrates a rear view thereof;  
FIG. 4 illustrates a right side view thereof;  
FIG. 5 illustrates a left side view thereof; and,  
FIG. 6 illustrates a top view thereof.

**1 Claim, 6 Drawing Sheets**



(56)

**References Cited**

U.S. PATENT DOCUMENTS

2016/0218030 A1\* 7/2016 Embertson ..... B25J 15/0266  
2018/0215048 A1\* 8/2018 Bogner ..... H01L 21/6838  
2019/0310272 A1\* 10/2019 Bauerlein ..... B01L 1/02  
2021/0016436 A1\* 1/2021 Turgeman ..... B25J 9/144  
2021/0268666 A1\* 9/2021 Igarashi ..... E04F 21/18  
2021/0331327 A1\* 10/2021 Lee ..... B25J 15/0014  
2021/0339393 A1\* 11/2021 Dan ..... B25J 9/1676

\* cited by examiner

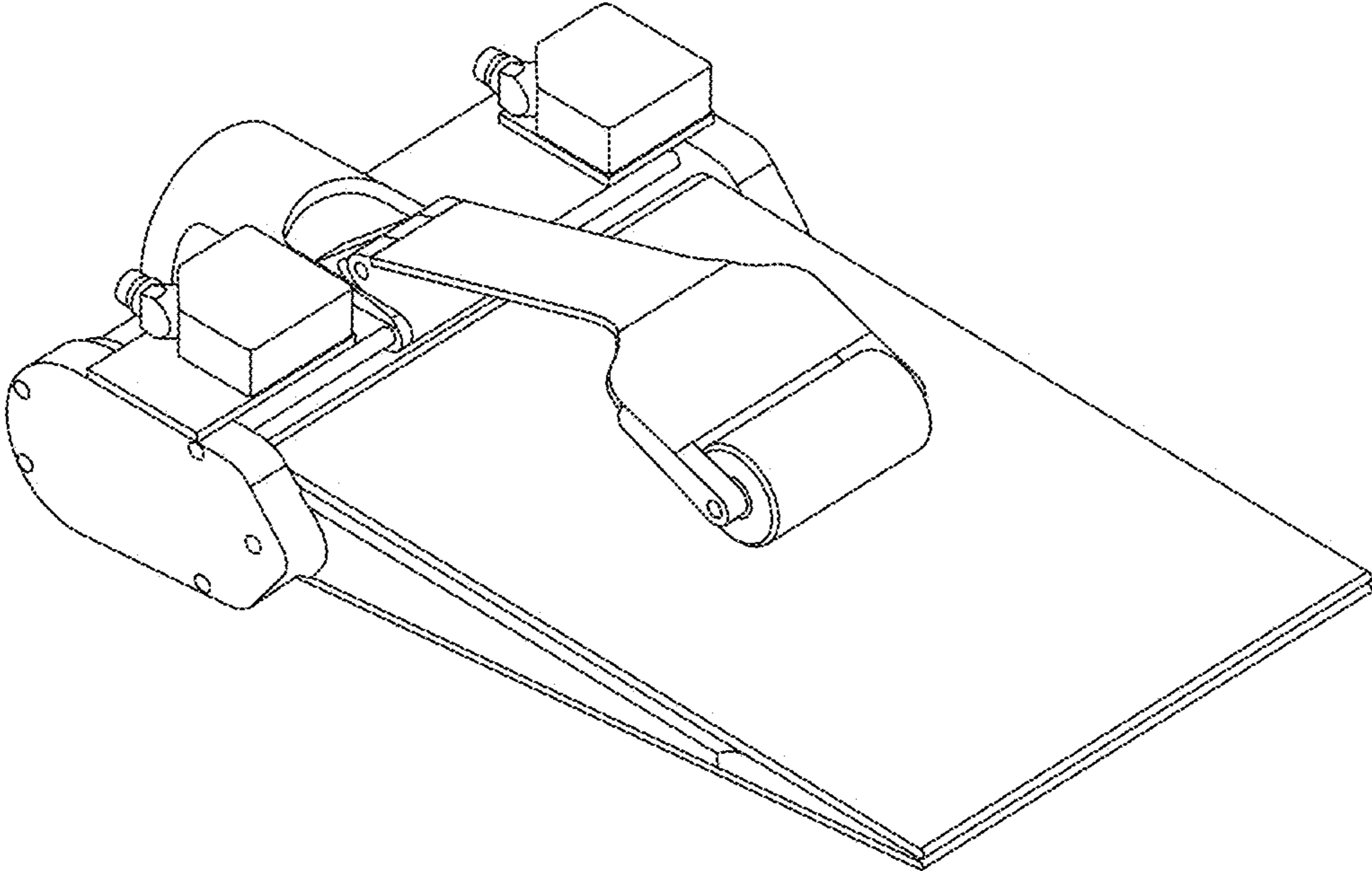


FIG. 1

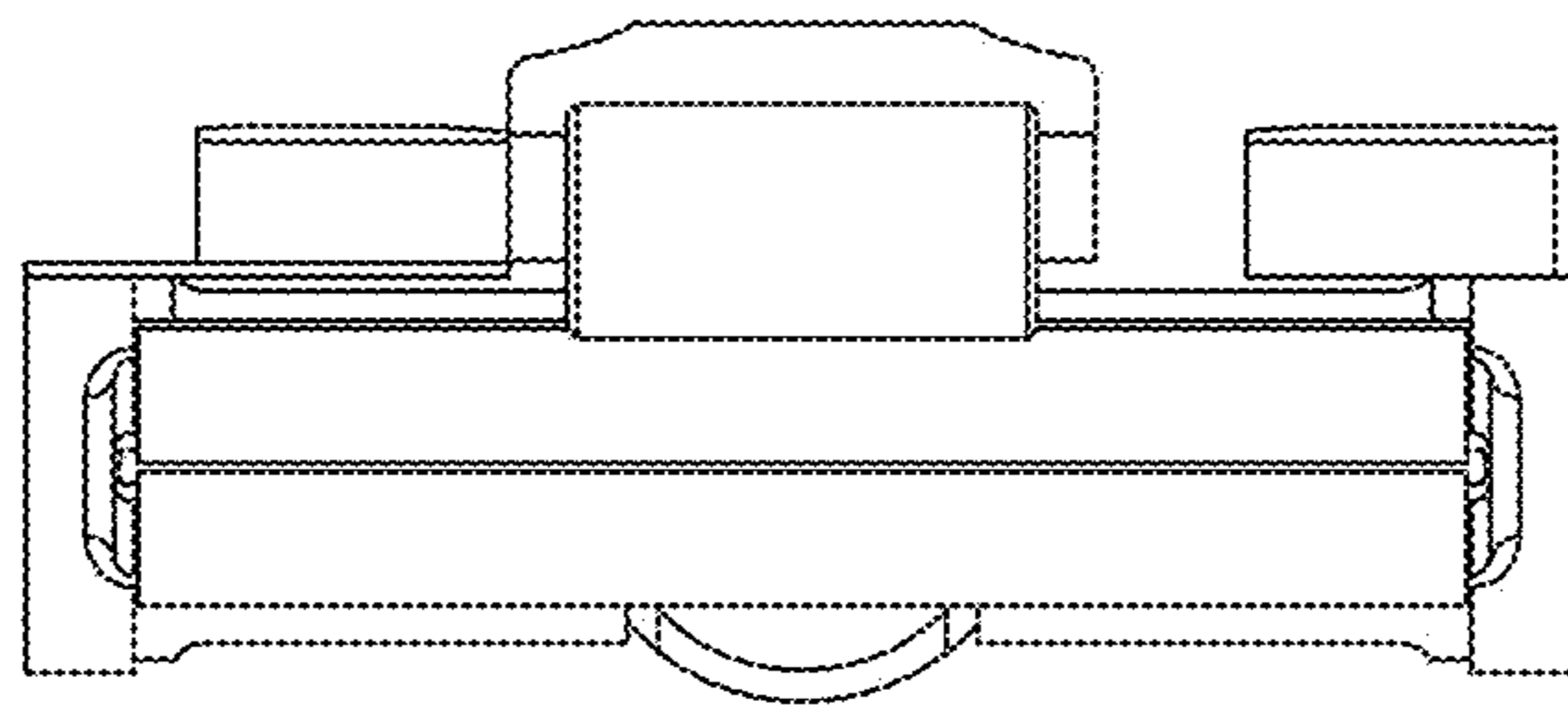


FIG. 2

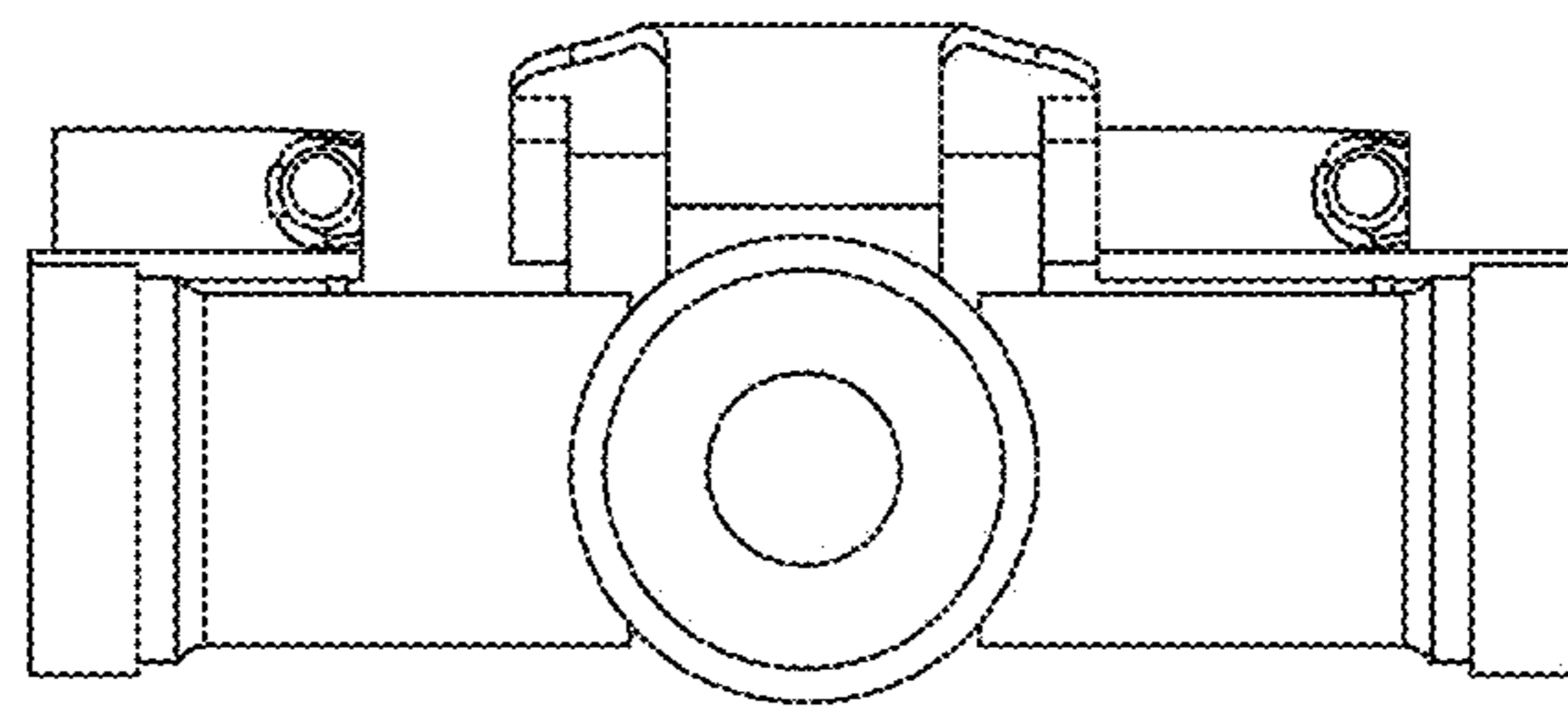


FIG. 3

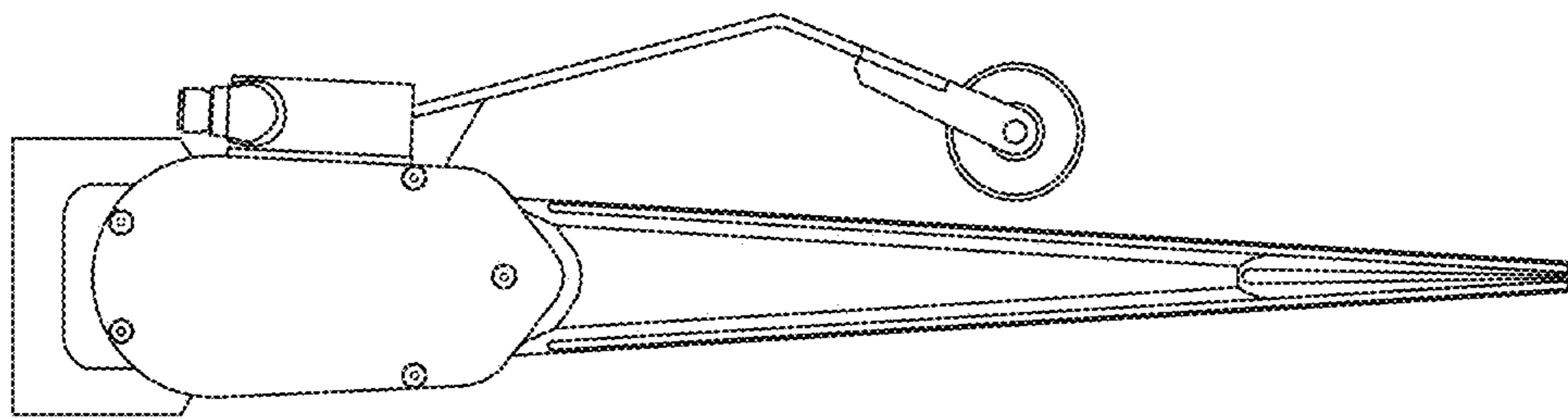


FIG. 4

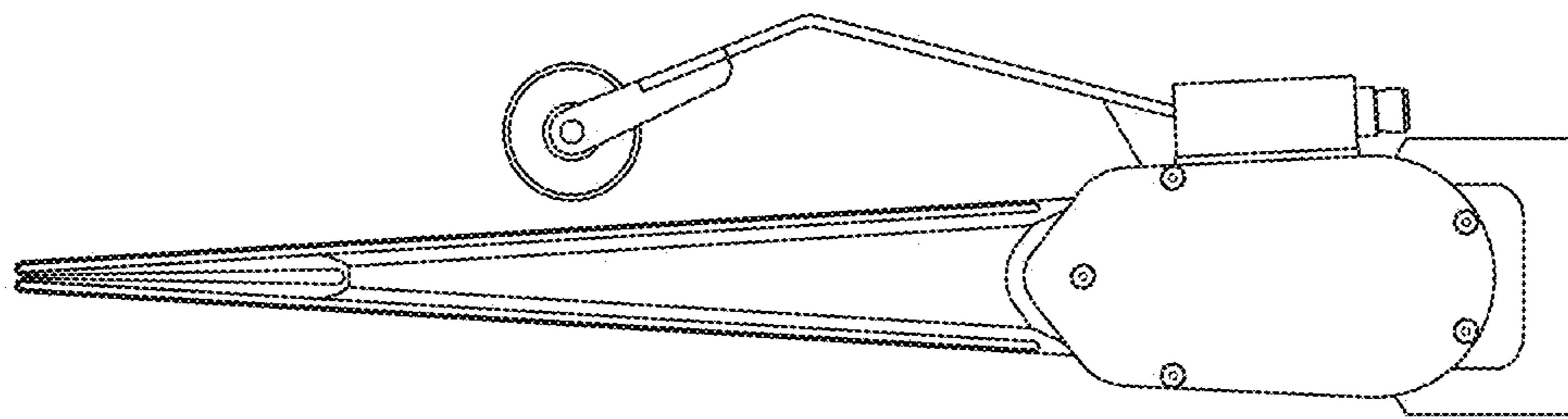


FIG. 5

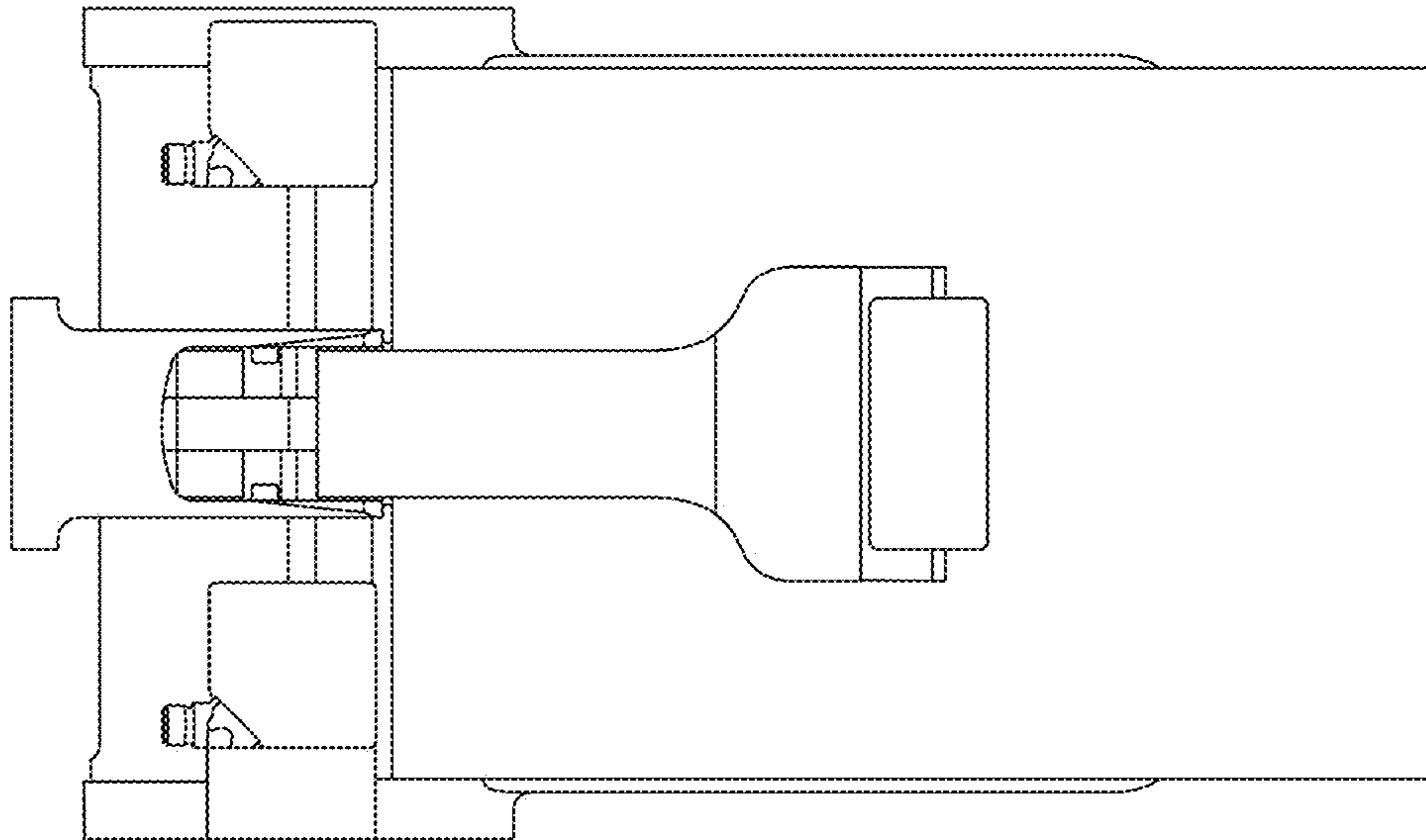


FIG. 6