



US00D949218S

(12) **United States Design Patent** (10) **Patent No.:** **US D949,218 S**
Guo et al. (45) **Date of Patent:** **** Apr. 19, 2022**

(54) **PLAN SIFTER** D314,401 S * 2/1991 Lehman D20/3
6,431,367 B1 * 8/2002 Satake B07B 1/38
209/2
(71) Applicant: **Bühler AG**, Uzwil (CH) D556,795 S * 12/2007 Bee D15/122
D752,661 S * 3/2016 Anantha D15/122
(72) Inventors: **Jax Guo**, Wuxi (CN); **Xiaochun Gong**,
Wuxi (CN) D822,739 S * 7/2018 Kato D15/199
D907,076 S * 1/2021 Oakes D15/122
(73) Assignee: **BÜHLER AG**, Uzwil (CH) 2011/0226676 A1 * 9/2011 Ikeda B07B 13/16
209/288
(**) Term: **15 Years** 2014/0048456 A1 * 2/2014 Adams, Sr. B07B 1/06
209/325
(21) Appl. No.: **35/511,093** 2017/0072435 A1 * 3/2017 Goldner B07B 13/16
2018/0327184 A1 * 11/2018 Sibley G06Q 10/0833
2019/0047022 A1 * 2/2019 Meranda B07B 1/28

(22) Filed: **Jun. 30, 2020**

(80) **Hague Agreement Data**
Int. Filing Date: **Jun. 30, 2020**
Int. Reg. No.: **DM/209158**
Int. Reg. Date: **Jun. 30, 2020**
Int. Reg. Pub. Date: **Jan. 1, 2021**

(51) **LOC (13) Cl.** **15-04**
(52) **U.S. Cl.**
USPC **D15/147**

(58) **Field of Classification Search**
USPC D15/199, 122, 147; D21/578-583;
D32/21; D34/34; D7/667-668; D8/1
CPC B65G 1/04; B23Q 7/1442; B66F 9/063;
G06Q 10/0832; B07B 13/16; B07B 1/28
See application file for complete search history.

(56) **References Cited**

U.S. PATENT DOCUMENTS

390,219 A * 10/1888 Foster, Sr. B07B 13/16
209/245
425,334 A * 4/1890 Markham B07B 13/16
209/245
2,159,549 A * 5/1939 Cecka B07B 1/38
209/325
3,032,200 A * 5/1962 Miller B07B 1/38
209/366
3,129,167 A * 4/1964 Frangos A23P 20/12
209/315
D272,913 S * 3/1984 Boissicat D15/147

OTHER PUBLICATIONS

“Small plansifter Seginus” [online]. Buhler Group. [Retrieved on Sep. 6, 2021]. Retrieved from the Internet: <https://www.buhlergroup.com/content/buhlergroup/global/en/products/seginus_small_plansifter.html>.*

“Small Plansifter Seginus MPAS” [online]. Buhler Group. [Published on Nov. 16, 2017]. Retrieved from the Internet: <<https://www.youtube.com/watch?v=9rH3babkReA>>.*

* cited by examiner

Primary Examiner — Mojtaba Tehrani
(74) Attorney, Agent, or Firm — Finch & Maloney PLLC

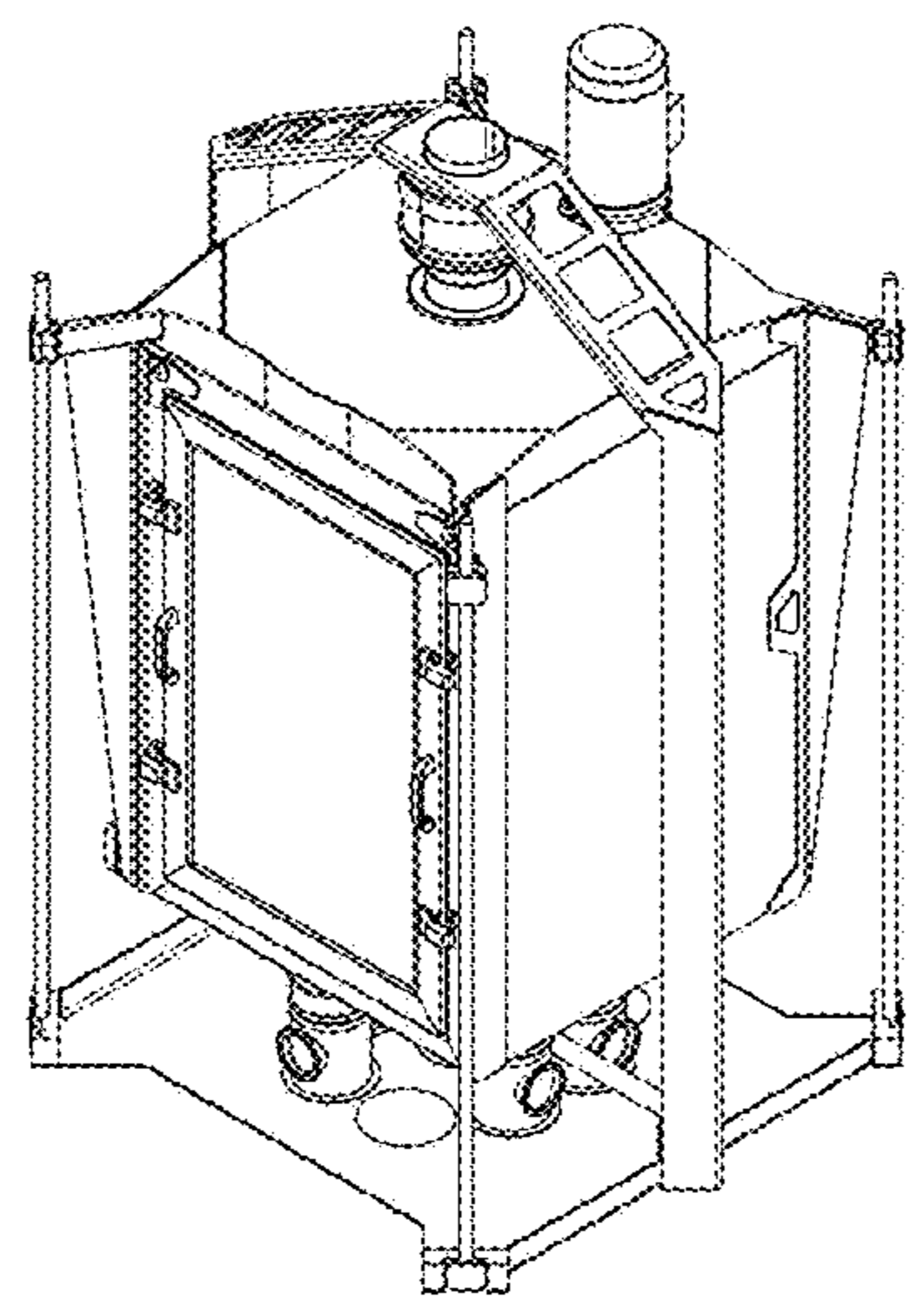
(57) **CLAIM**

The ornamental design for a plan sifter, as shown and described.

DESCRIPTION

1. Plan sifter
1.1 : Perspective
1.2 : Front
1.3 : Right
1.4 : Left
1.5 : Back
1.6 : Bottom
1.7 : Top

1 Claim, 7 Drawing Sheets



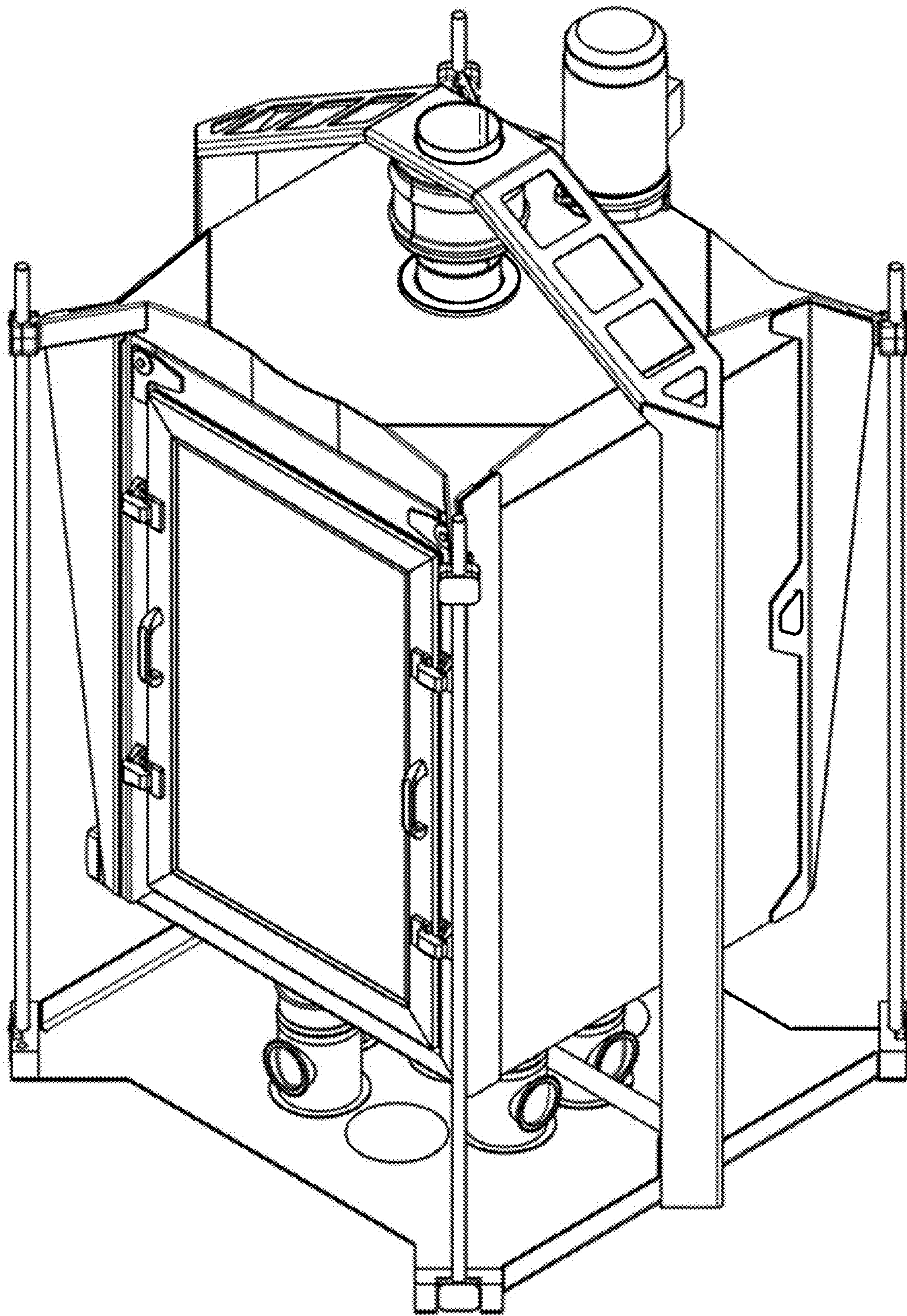


FIG. 1.1

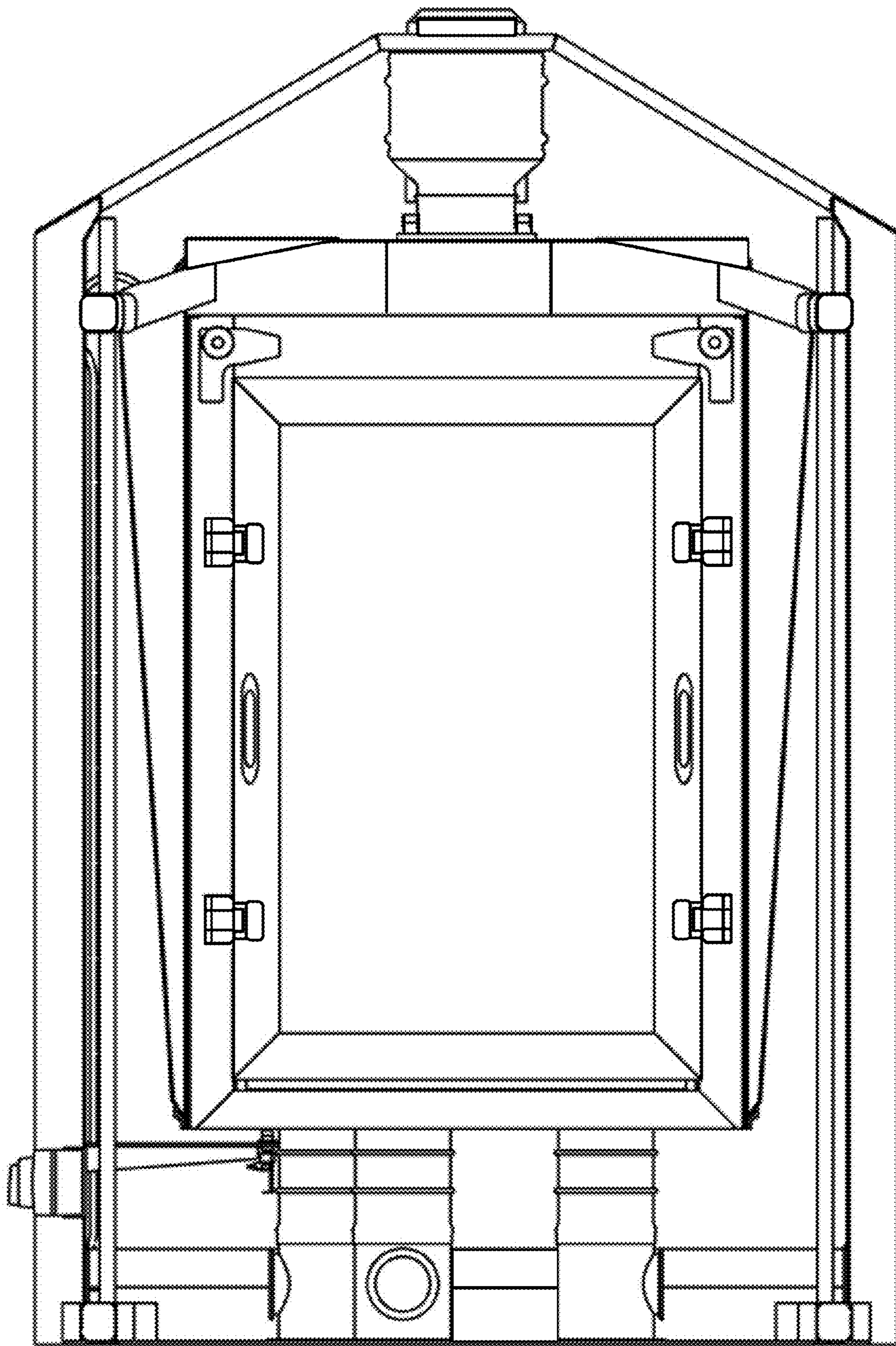


FIG. 1.2

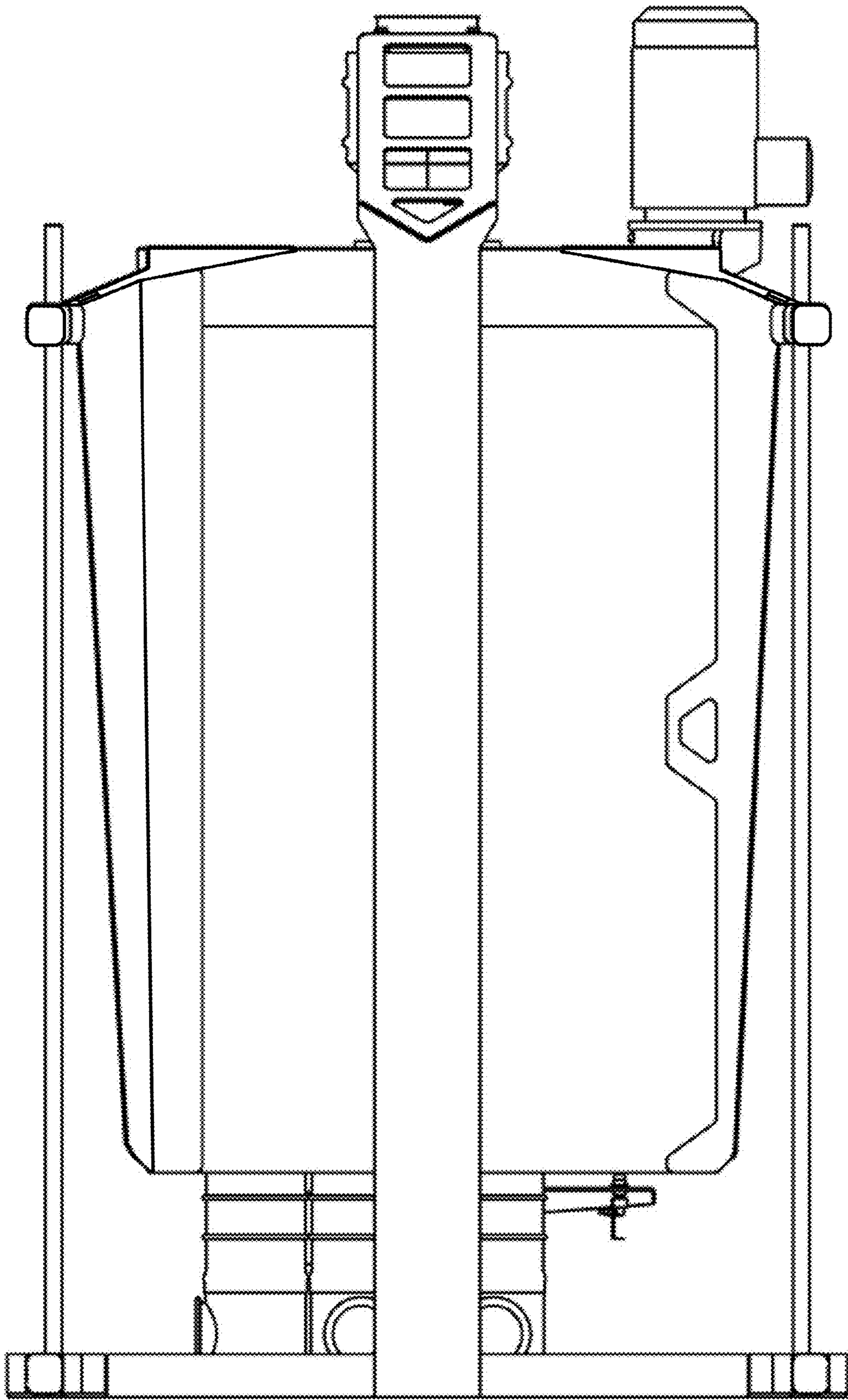


FIG. 1.3

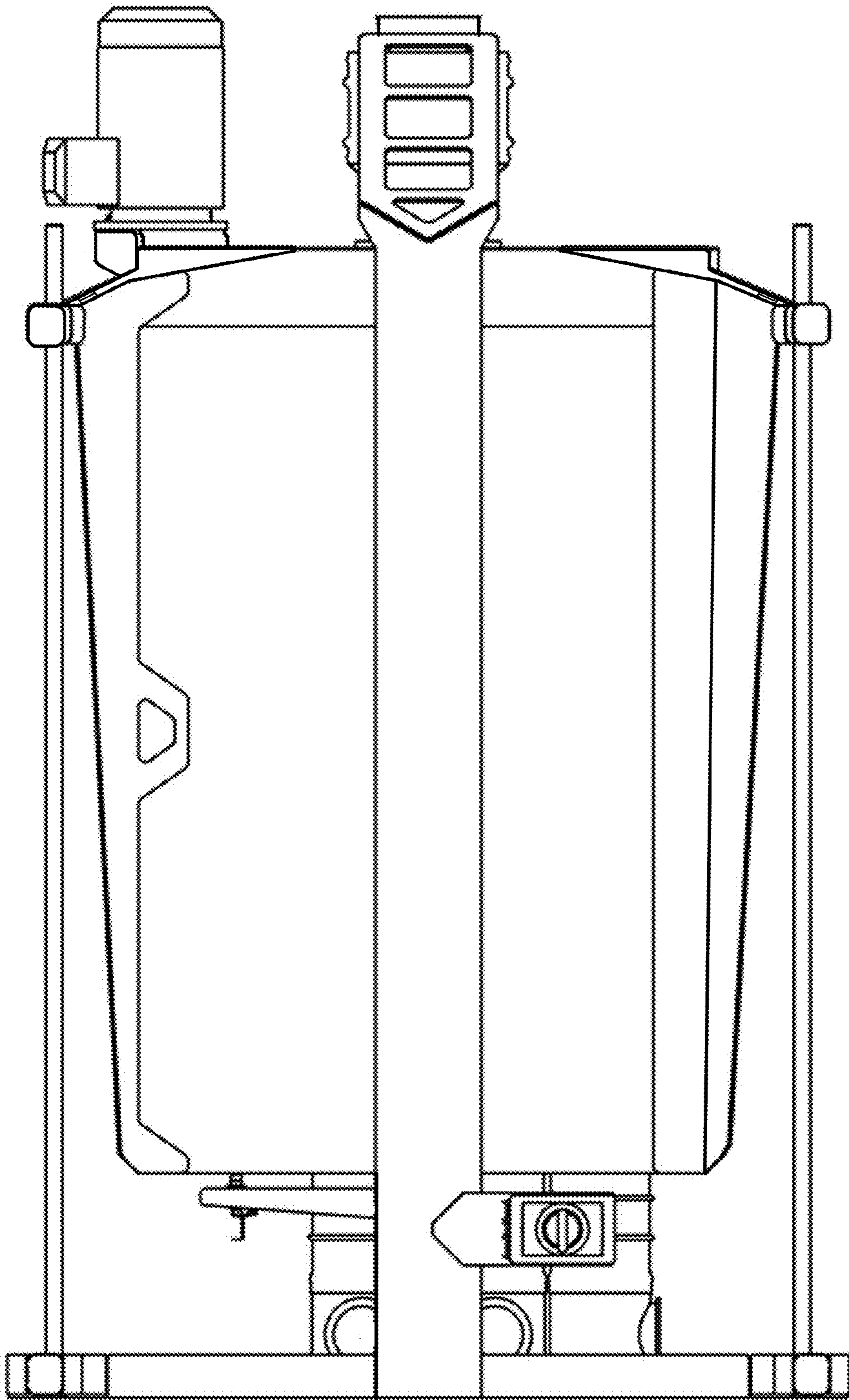


FIG. 1.4

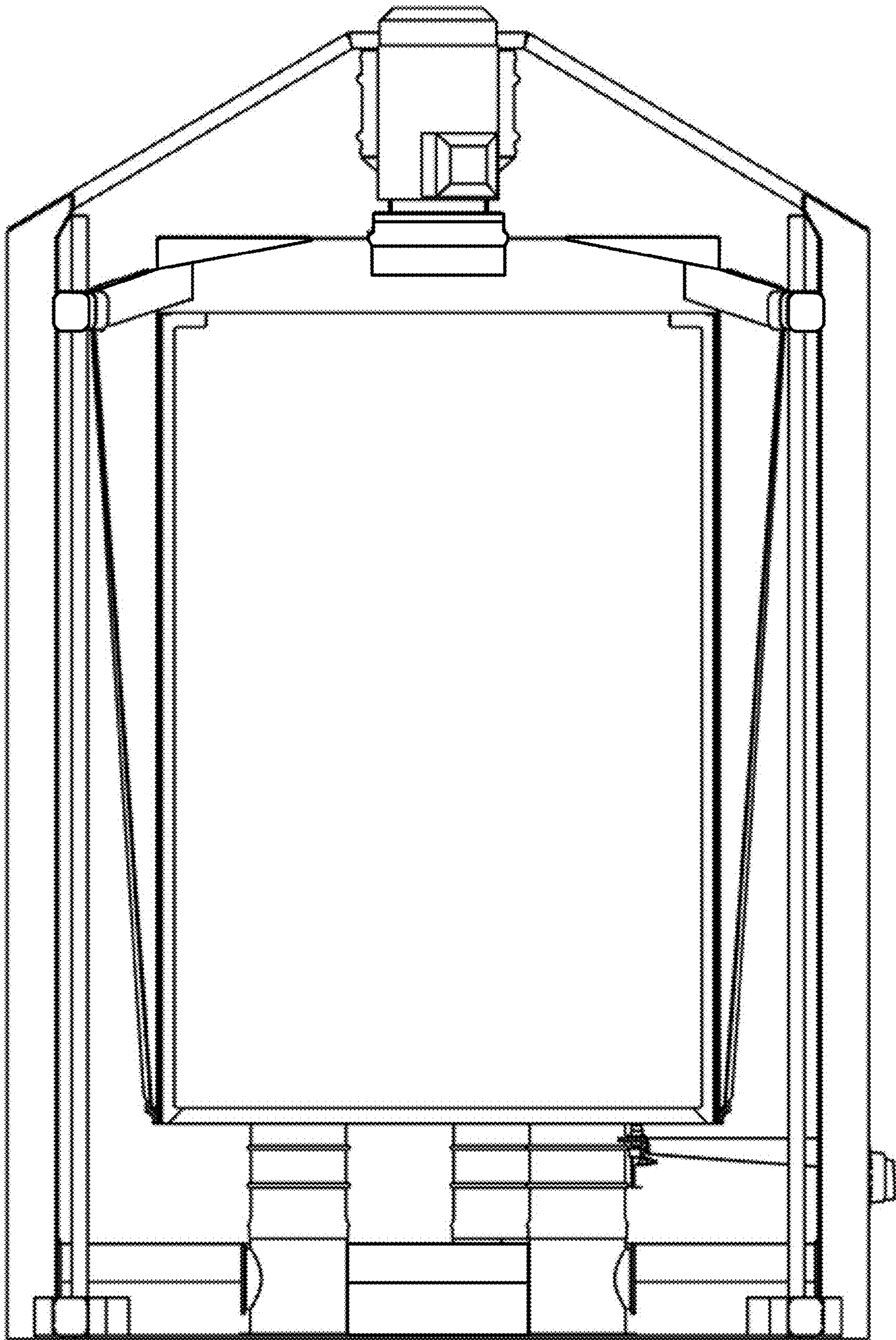


FIG. 1.5

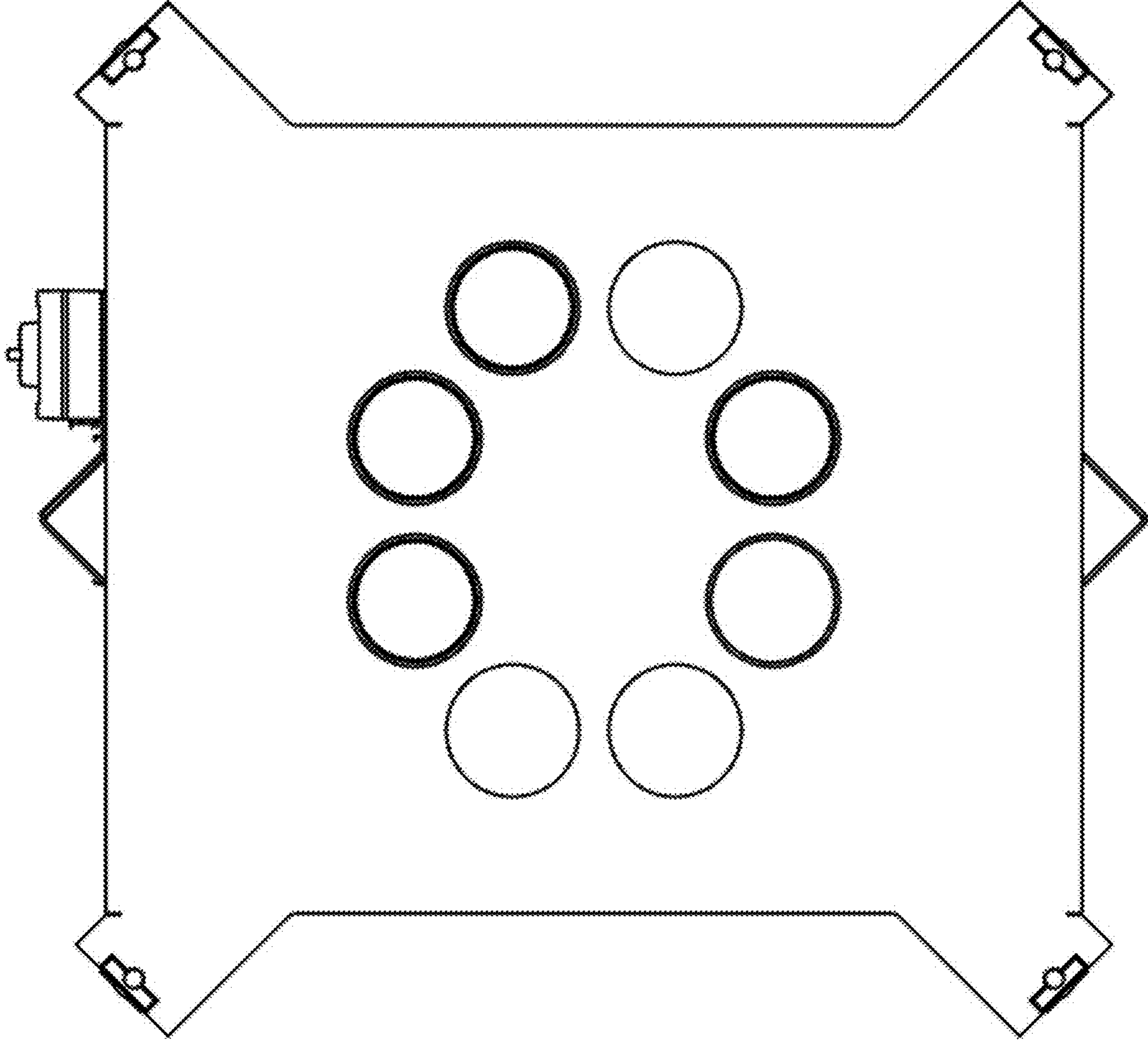


FIG. 1.6

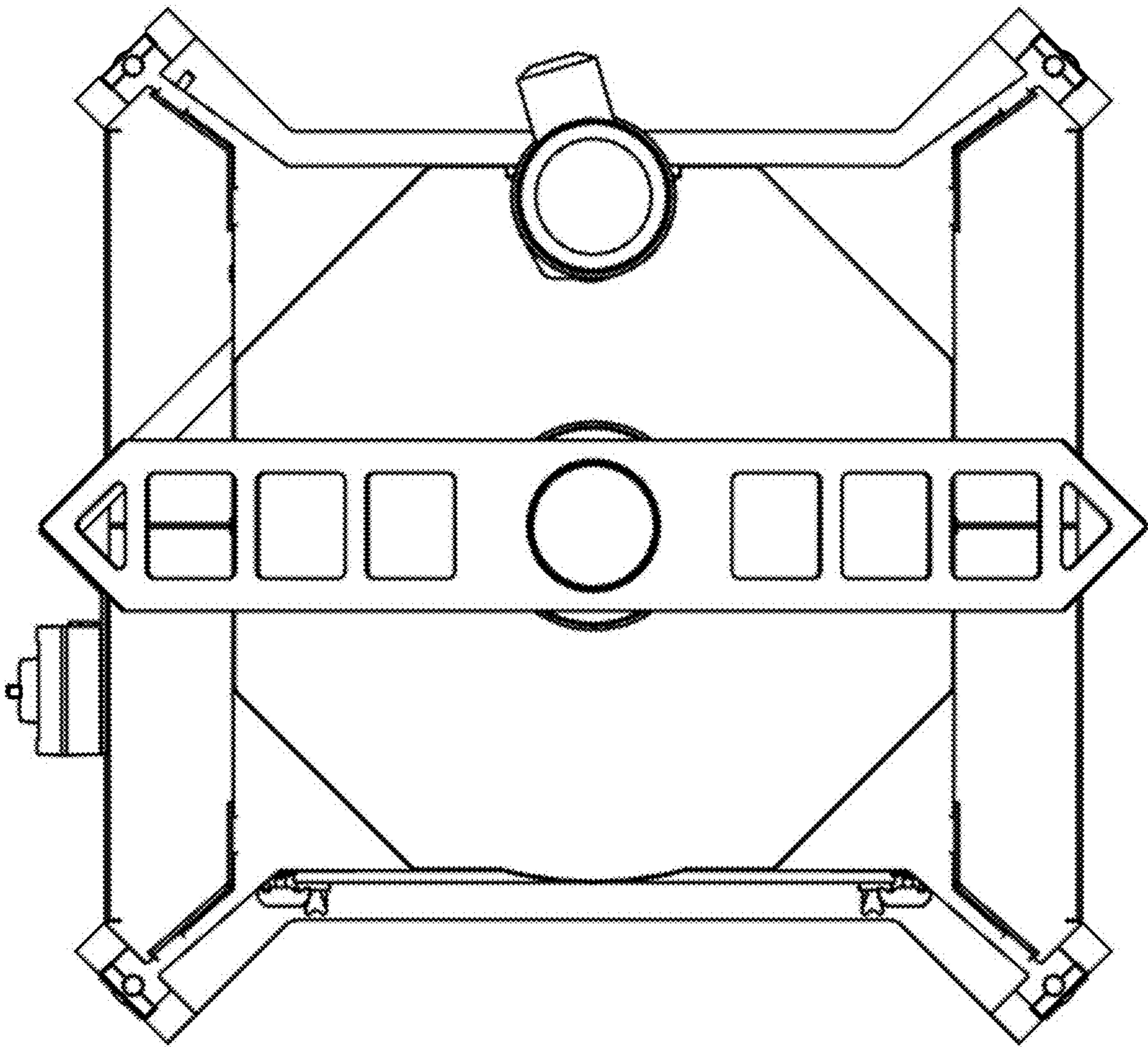


FIG. 1.7