



US00D949214S

(12) **United States Design Patent** (10) **Patent No.:** **US D949,214 S**
Kang et al. (45) **Date of Patent:** **** Apr. 19, 2022**

(54) **REFRIGERATOR**

(74) *Attorney, Agent, or Firm* — NSIP Law

(71) Applicant: **Samsung Electronics Co., Ltd.**,
Suwon-si (KR)

(57) **CLAIM**

We claim the ornamental design for a refrigerator, as shown and described.

(72) Inventors: **Ji Chang Kang**, Suwon-si (KR);
Hyeong Ju Seo, Suwon-si (KR)

DESCRIPTION

(73) Assignee: **Samsung Electronics Co., Ltd.**,
Suwon-si (KR)

FIG. 1 is a front perspective view of a refrigerator showing our new design;

(**) Term: **15 Years**

FIG. 2 is a front view thereof;

(21) Appl. No.: **29/691,287**

FIG. 3 is a rear view thereof;

(22) Filed: **May 15, 2019**

FIG. 4 is a left-side view thereof;

(30) **Foreign Application Priority Data**

FIG. 5 is a right-side view thereof;

Mar. 15, 2019 (KR) 30-2019-0011855

FIG. 6 is a top view thereof;

(51) **LOC (13) Cl.** **15-07**

FIG. 7 is a bottom view thereof;

(52) **U.S. Cl.**

FIG. 8 is a rear perspective view thereof;

USPC **D15/79**

FIG. 9 is an enlarged view of the encircled portion in FIG. 1;

(58) **Field of Classification Search**

USPC D15/79-91; D6/663, 664, 667, 668,
D6/668.1, 668.2, 669, 671, 671.1, 705

FIG. 10 is a cross sectional view thereof, taken along line 10-10 in FIG. 2;

(Continued)

FIG. 11 is a front perspective view of a refrigerator showing our new design with the shelf in an open position;

(56) **References Cited**

U.S. PATENT DOCUMENTS

D690,742 S * 10/2013 Sussman D15/81
D702,265 S * 4/2014 Lovanel D15/85

FIG. 12 is a front view thereof;

(Continued)

FIG. 13 is a rear view thereof;

FOREIGN PATENT DOCUMENTS

CN 201830133953.4 11/2018
CN 2018302193737 11/2018

FIG. 14 is a left-side view thereof;

(Continued)

FIG. 15 is a right-side view thereof;

FIG. 16 is a top view thereof;

FIG. 17 is a bottom view thereof;

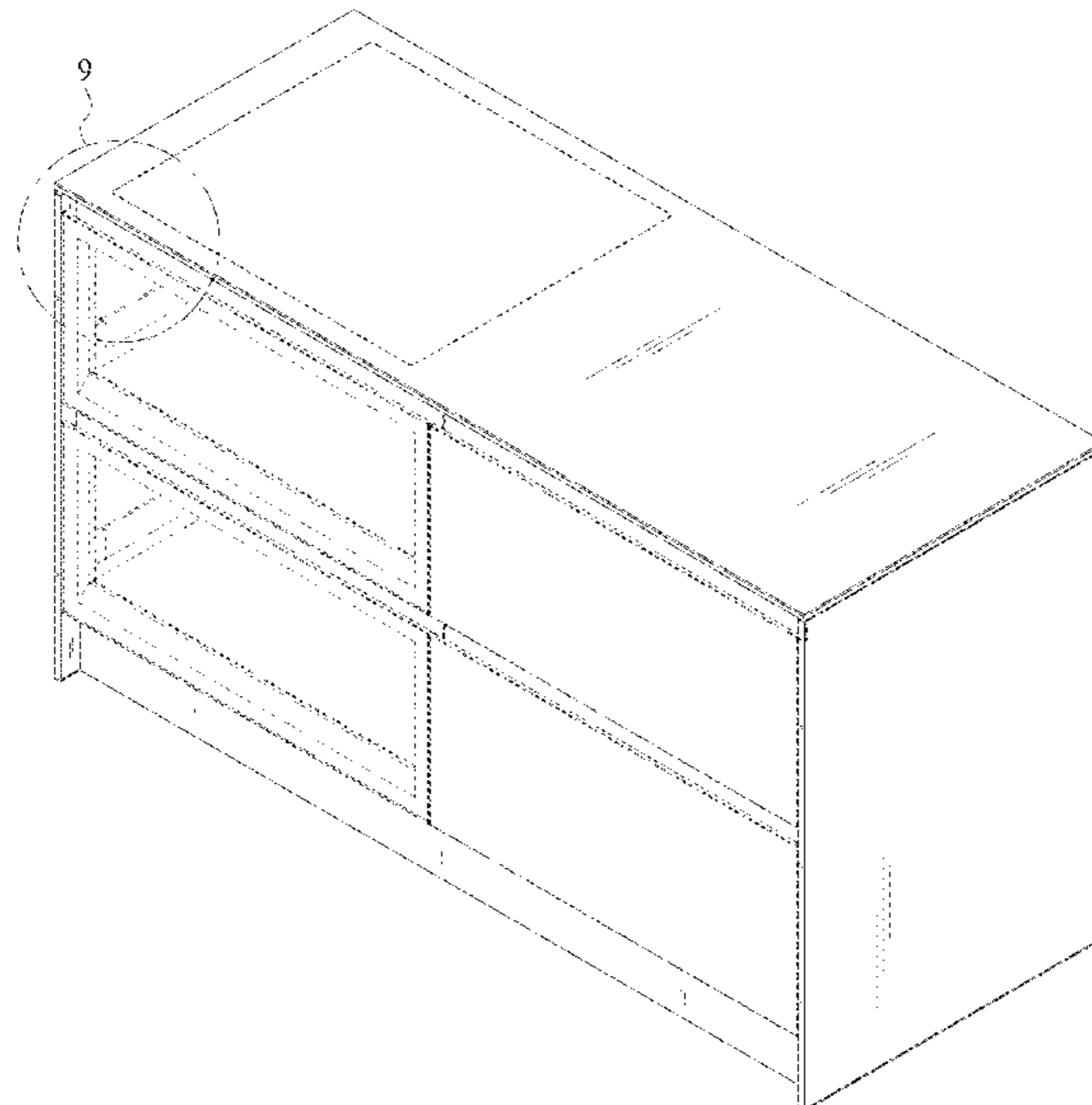
FIG. 18 is a rear perspective view thereof;

FIG. 19 is an enlarged view of the encircled portion in FIG. 16; and,
FIG. 20 is a cross sectional view thereof, taken along line 20-20 in FIG. 12.

The evenly-dashed broken lines in the figures show portions of the refrigerator which form no part of the claimed design. The dot-dash broken lines illustrating portions of the claimed design that are shown in enlargements form no part of the claimed design.

Primary Examiner — Khawaja Anwar

1 Claim, 20 Drawing Sheets



(58) **Field of Classification Search**

CPC .. F25D 11/00; F25D 17/065; F25D 2325/022;
F25D 23/069; F25D 25/025; F25D 11/02;
F25D 17/062; F25D 21/12; F25D 21/125;
F25D 21/14; F25D 2317/061; F25D
2317/067; F25D 2323/021; F25D
2323/024; F25D 23/028; F25D 23/04;
F25D 23/066; F25D 23/085; F25D
23/087; F25D 23/126; F25D 2400/02;
F25D 2400/06; F25D 2400/361; F25D
2400/40; F25D 25/005; F25D 25/02;
F25D 2600/02; F25D 2700/02; F25D
2700/12; F25D 2700/121; F25D 2700/14;
F25D 29/00

See application file for complete search history.

(56) **References Cited**

U.S. PATENT DOCUMENTS

D702,267	S	*	4/2014	Lovanel	D15/86
D712,439	S	*	9/2014	Lovanel	D15/86
D802,030	S	*	11/2017	Thuma	D15/81
D817,366	S	*	5/2018	Kim	D15/79
D821,457	S	*	6/2018	Kim	D15/79
D893,556	S	*	8/2020	Giulietti	D15/79
D907,073	S	*	1/2021	Liu	D15/79
D911,077	S	*	2/2021	Kim	D6/660
D935,492	S	*	11/2021	Seo	D15/79

FOREIGN PATENT DOCUMENTS

JP	D1535480	10/2015
KR	30-2016-0062626	9/2018
KR	30-2016-0061986	10/2018

* cited by examiner

FIG. 1

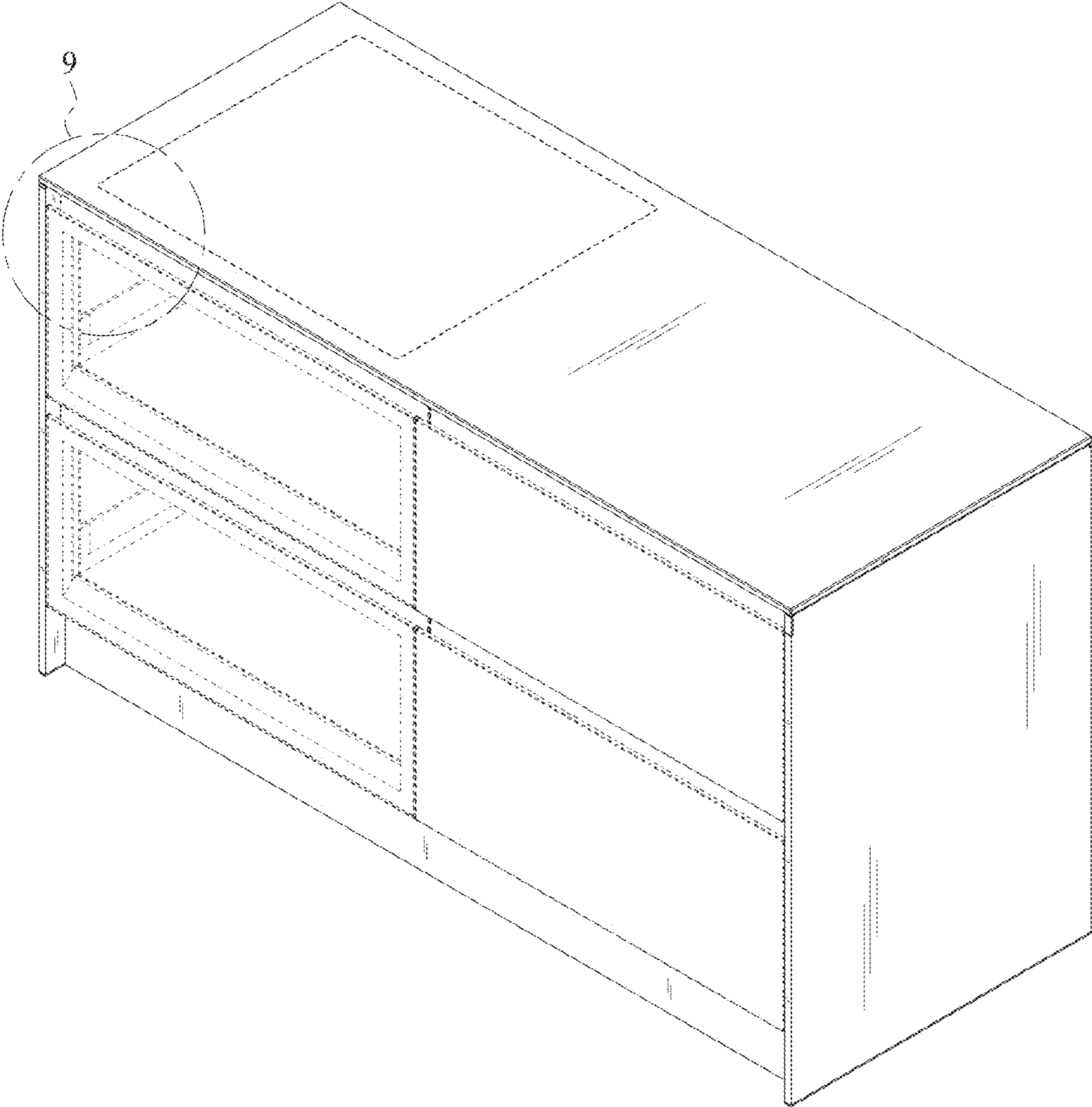


FIG. 2

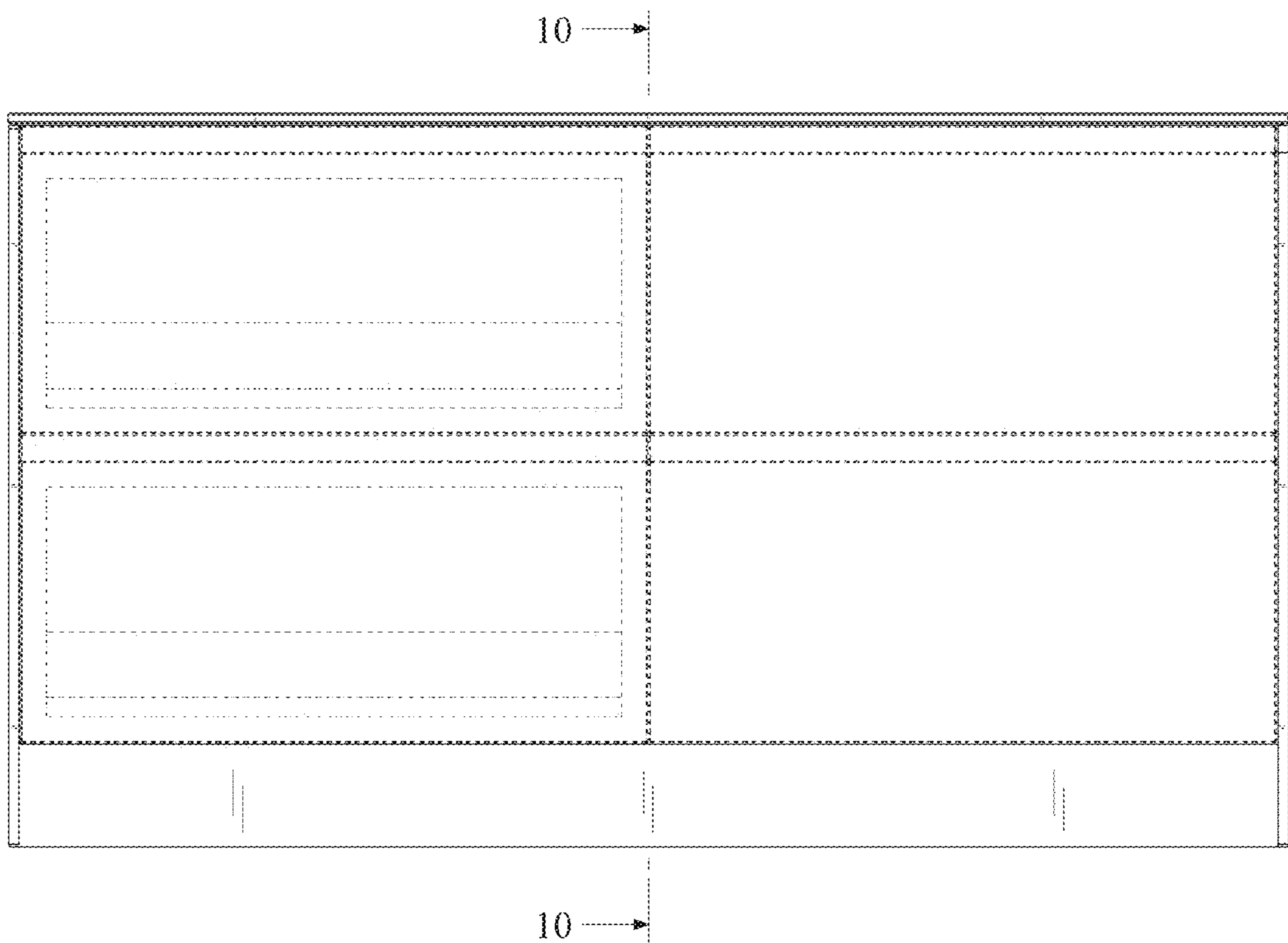


FIG. 3



FIG. 4

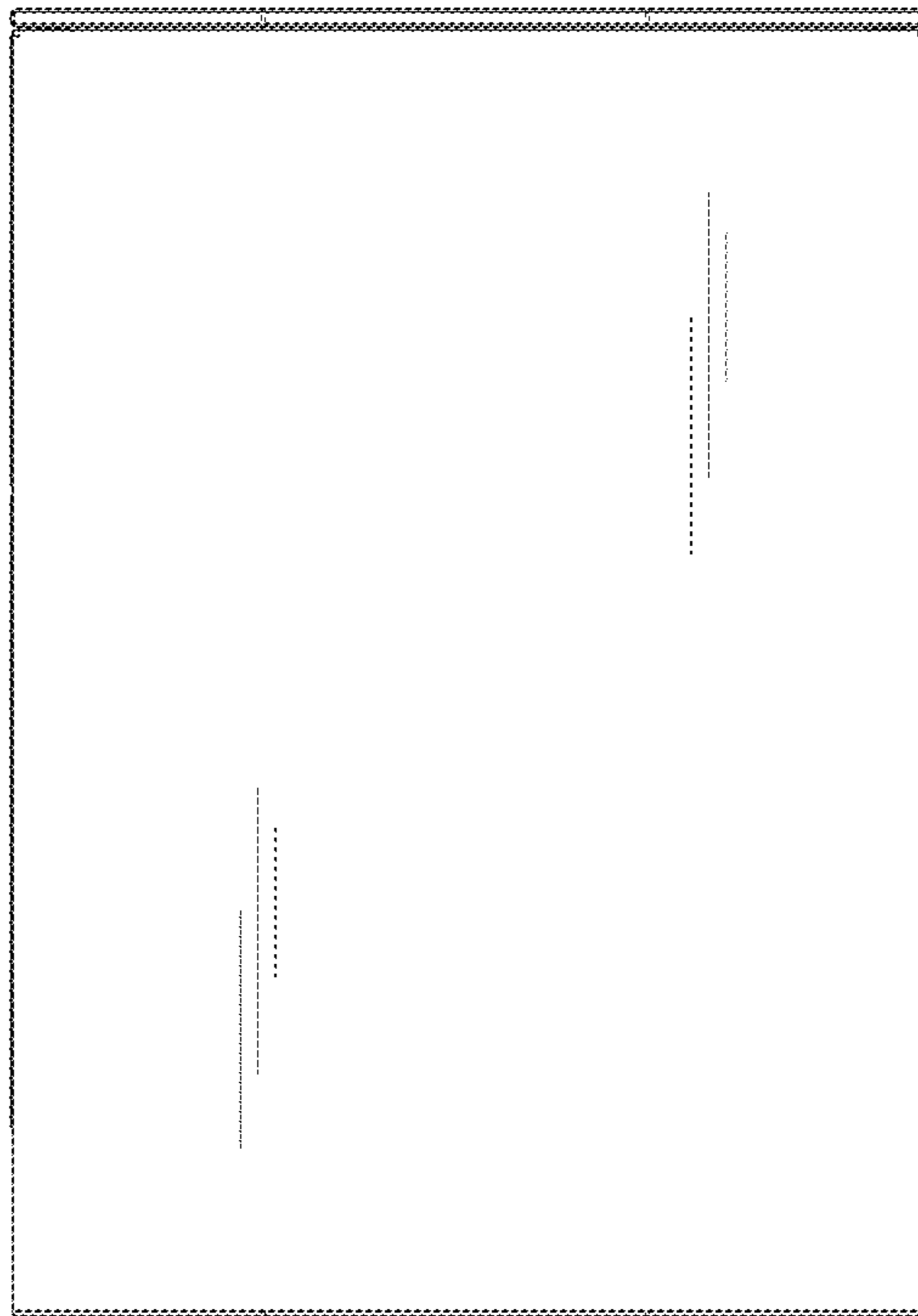


FIG. 5

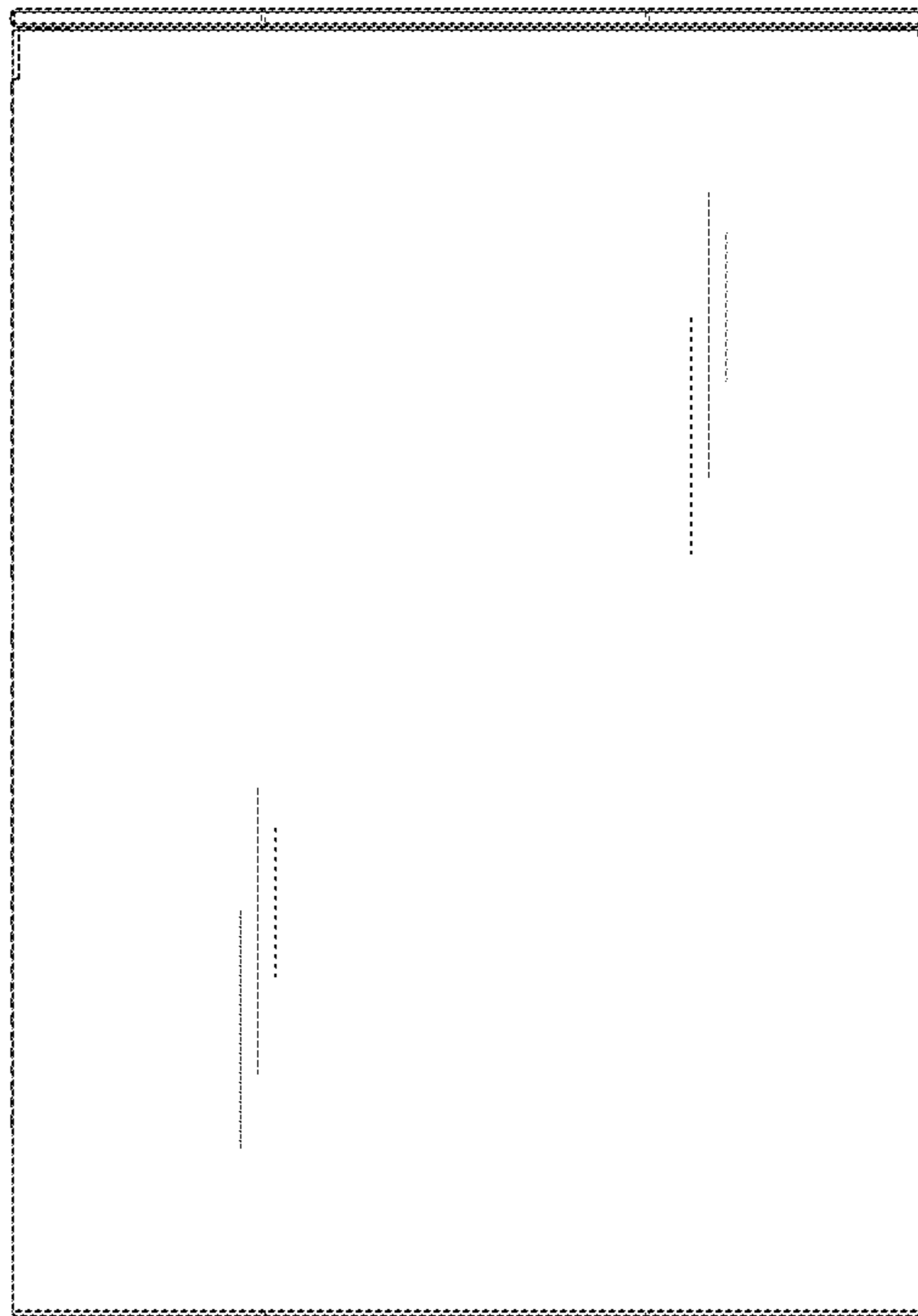


FIG. 6

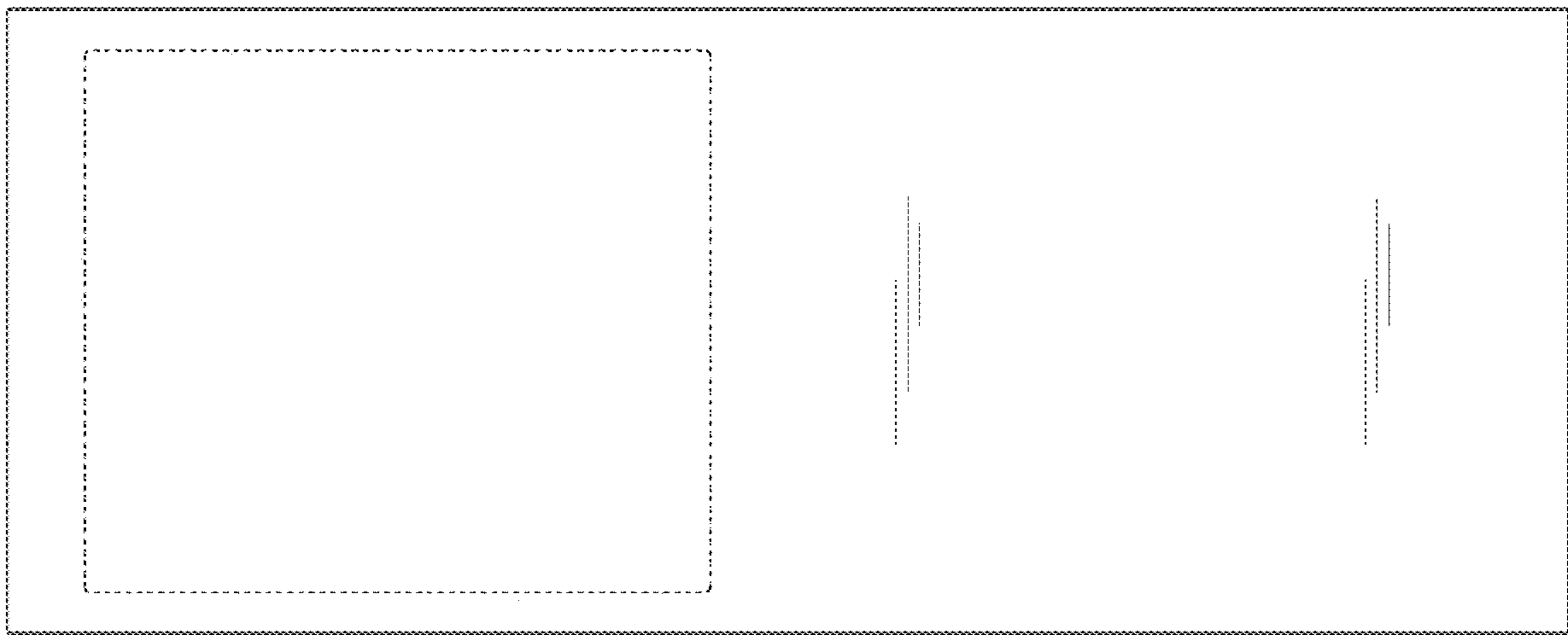


FIG. 7

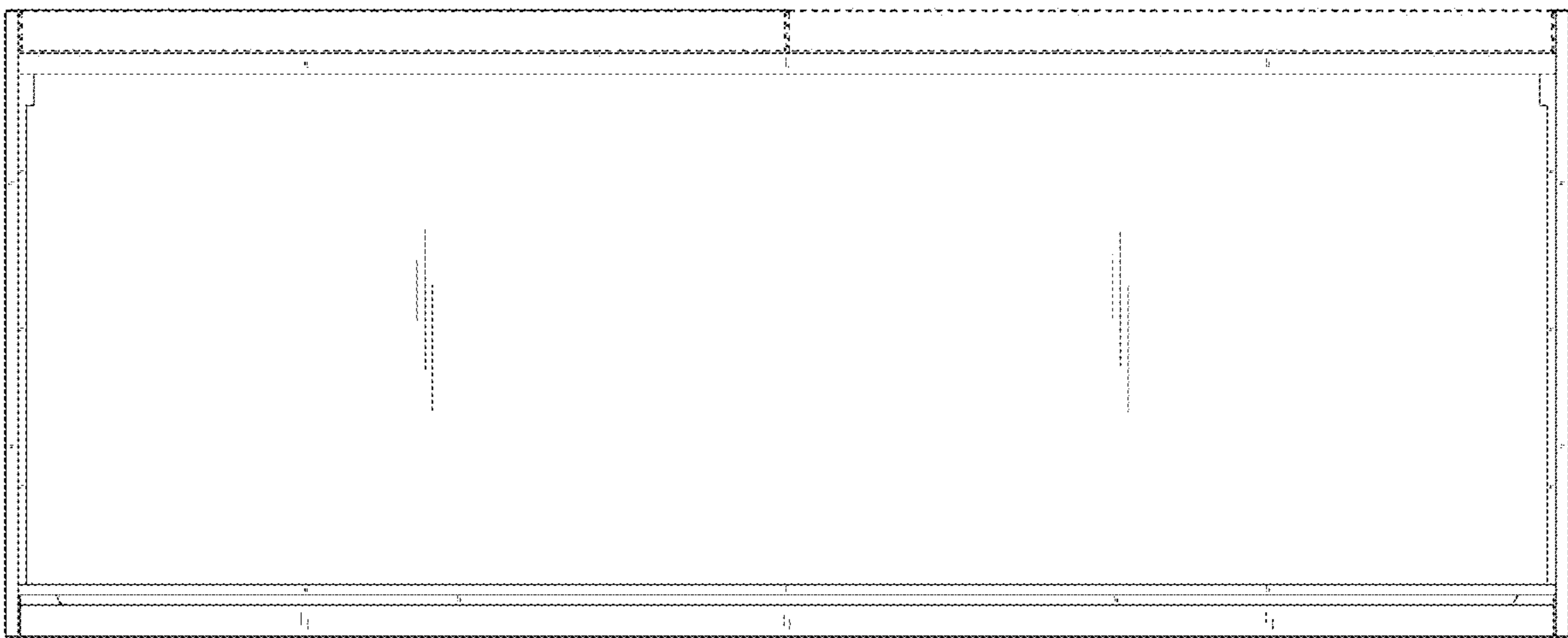


FIG. 8

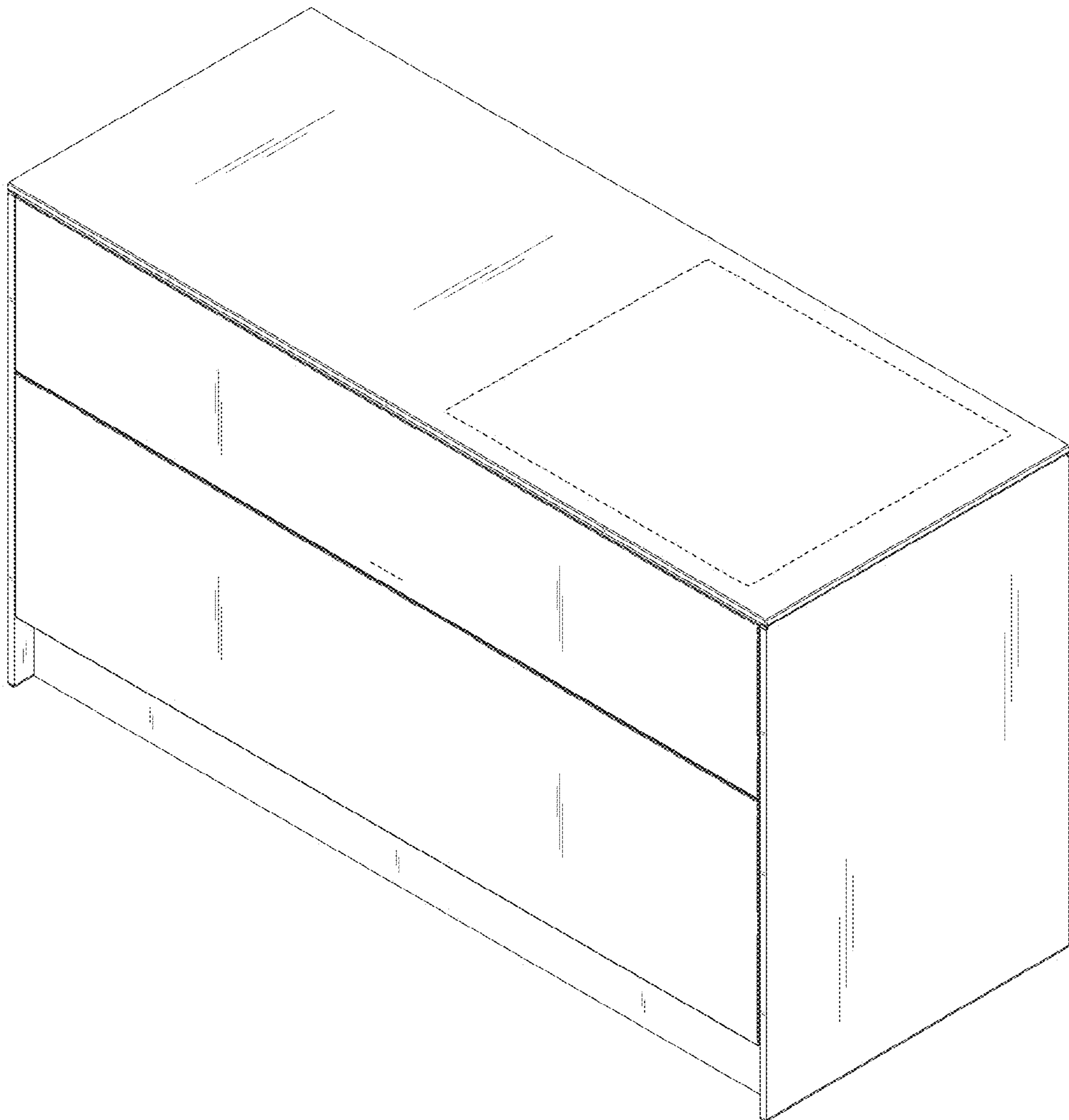


FIG. 9

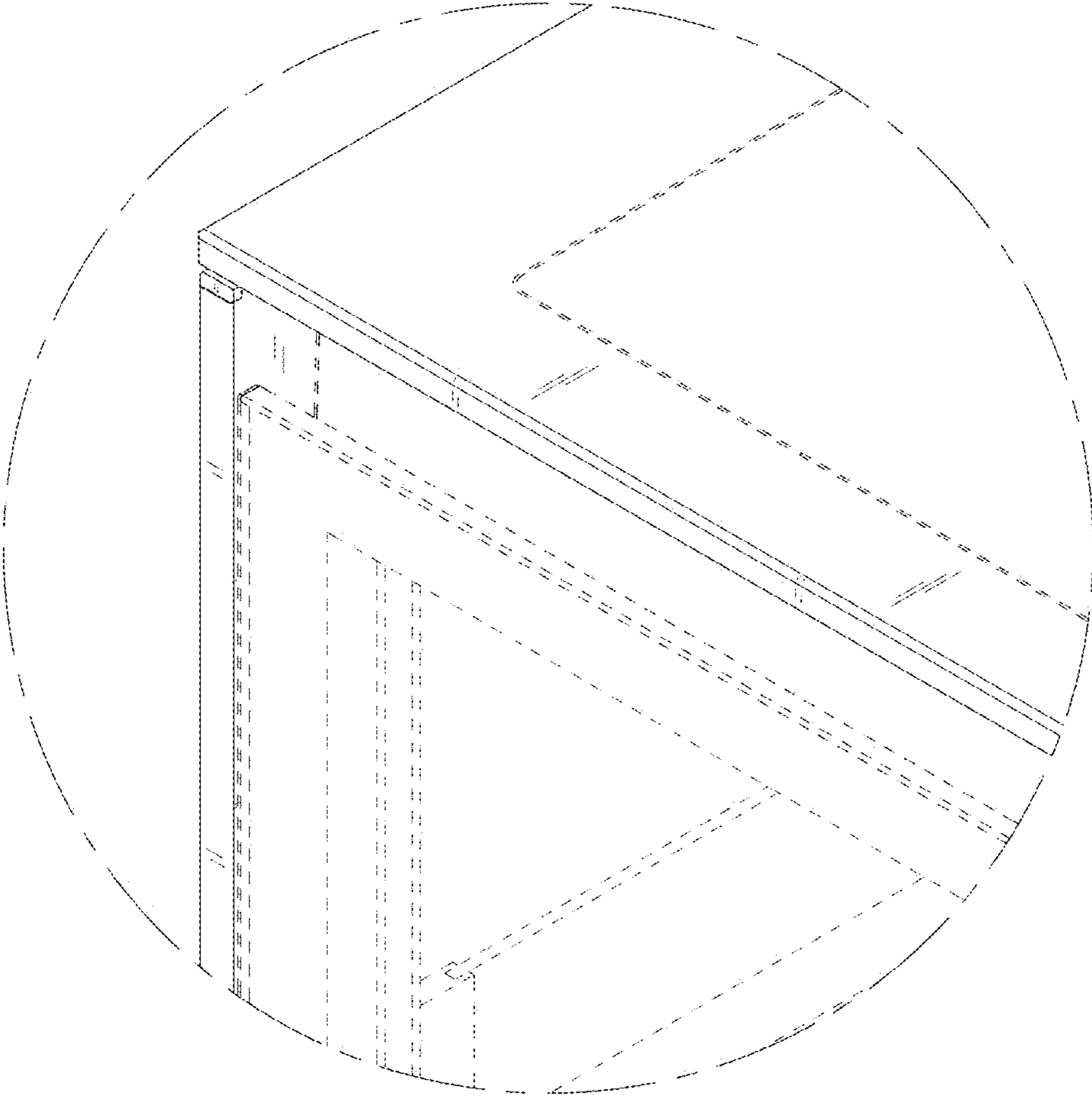


FIG. 10

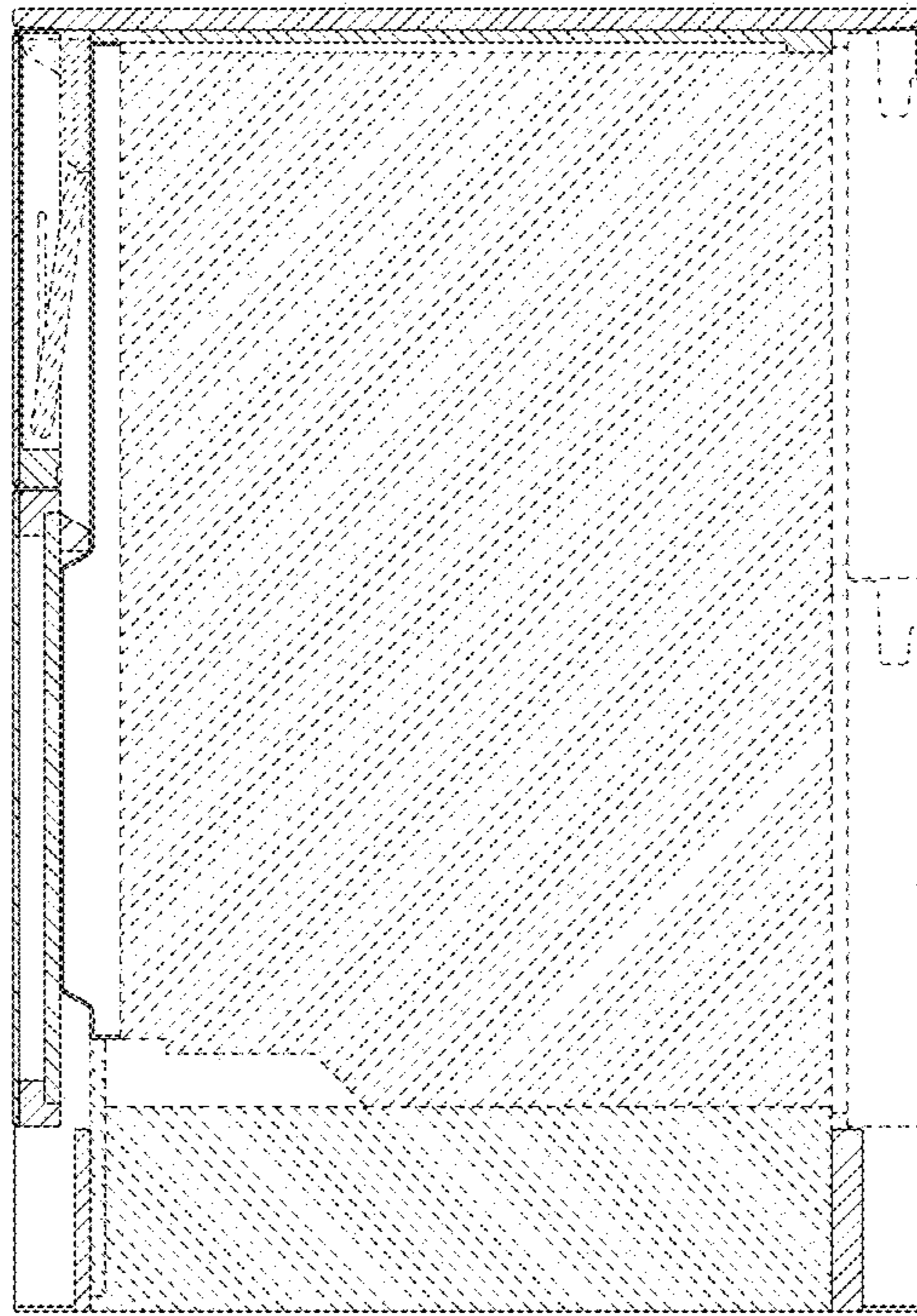


FIG. 11

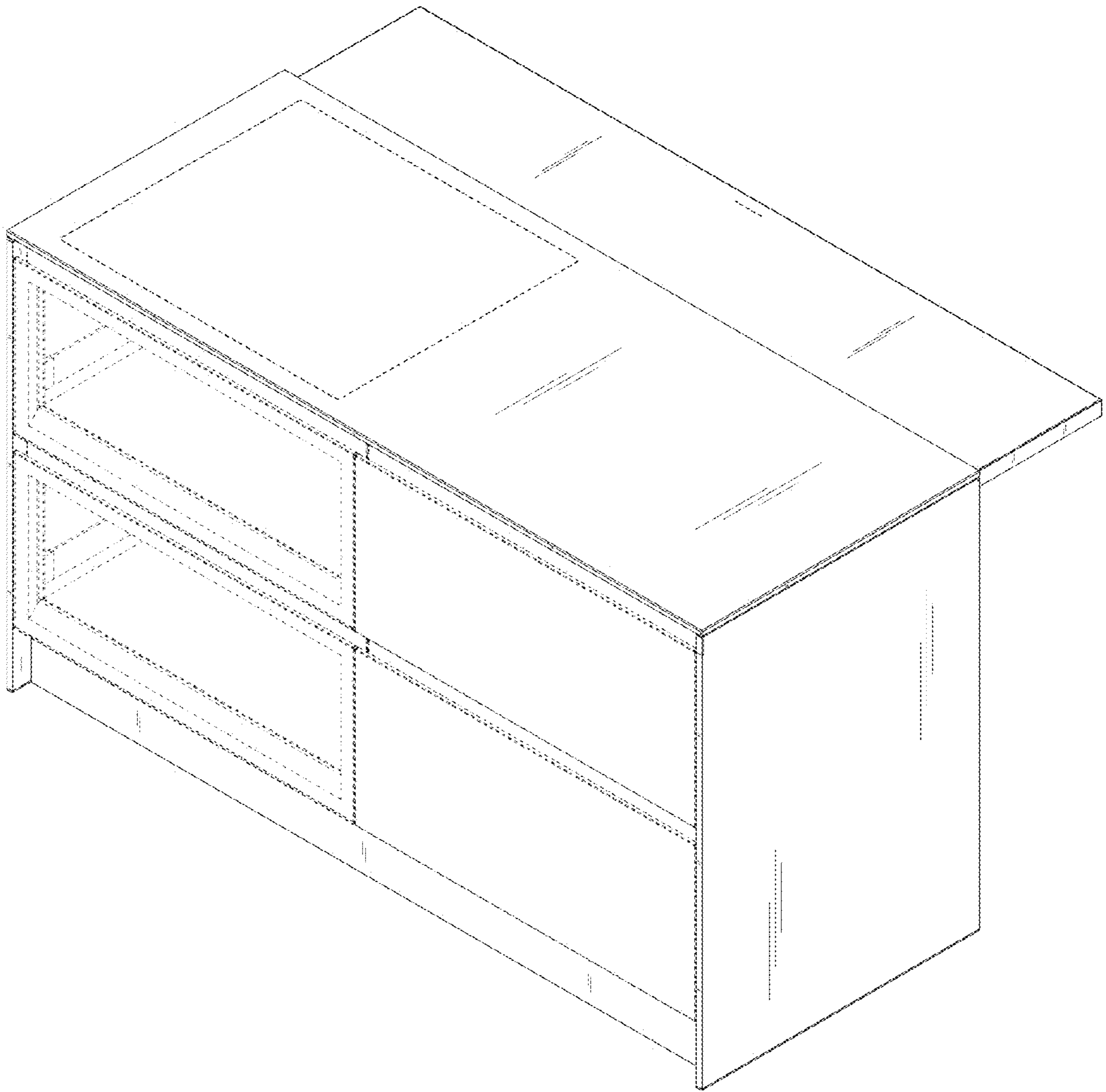


FIG. 12

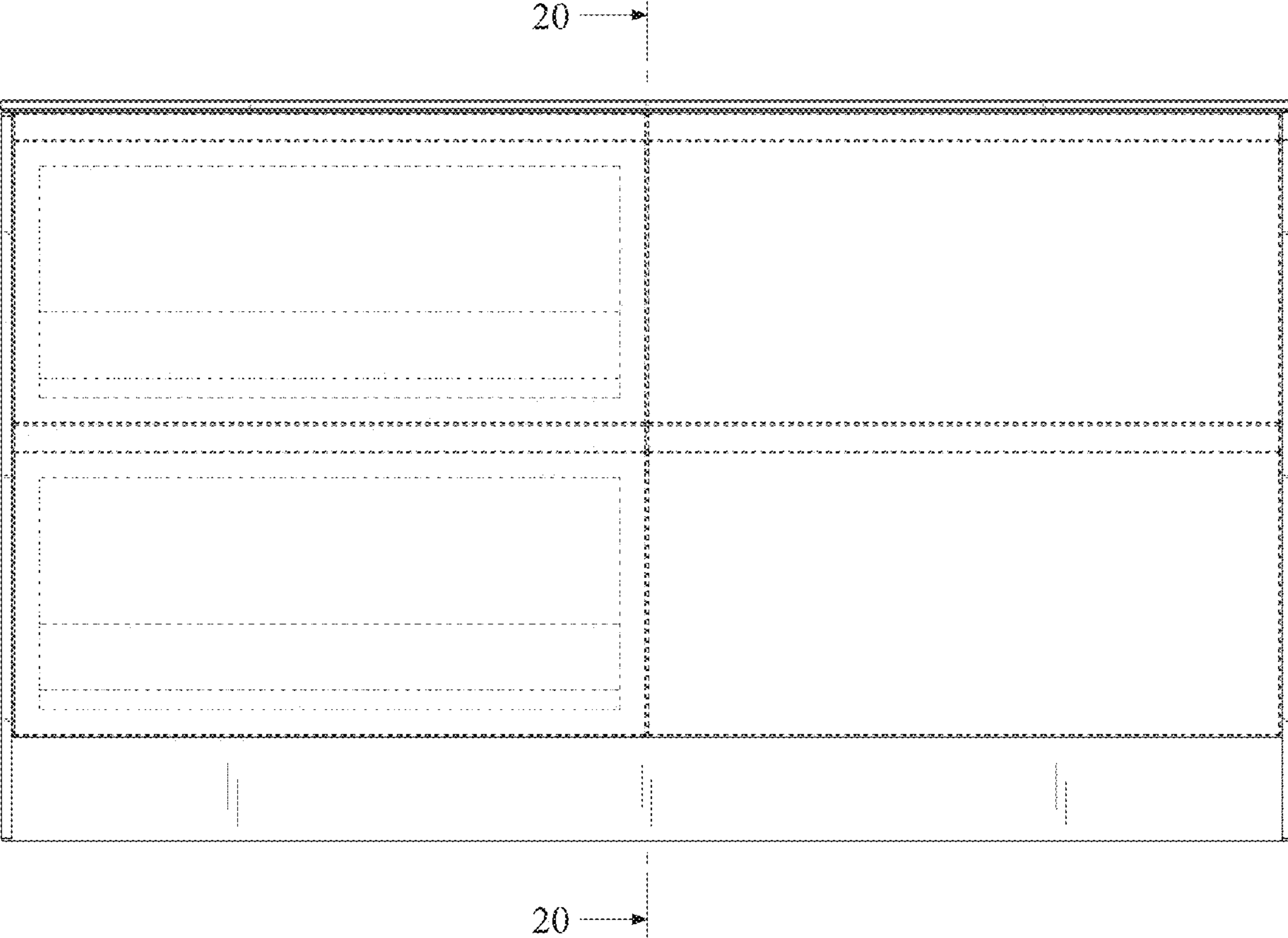


FIG. 13

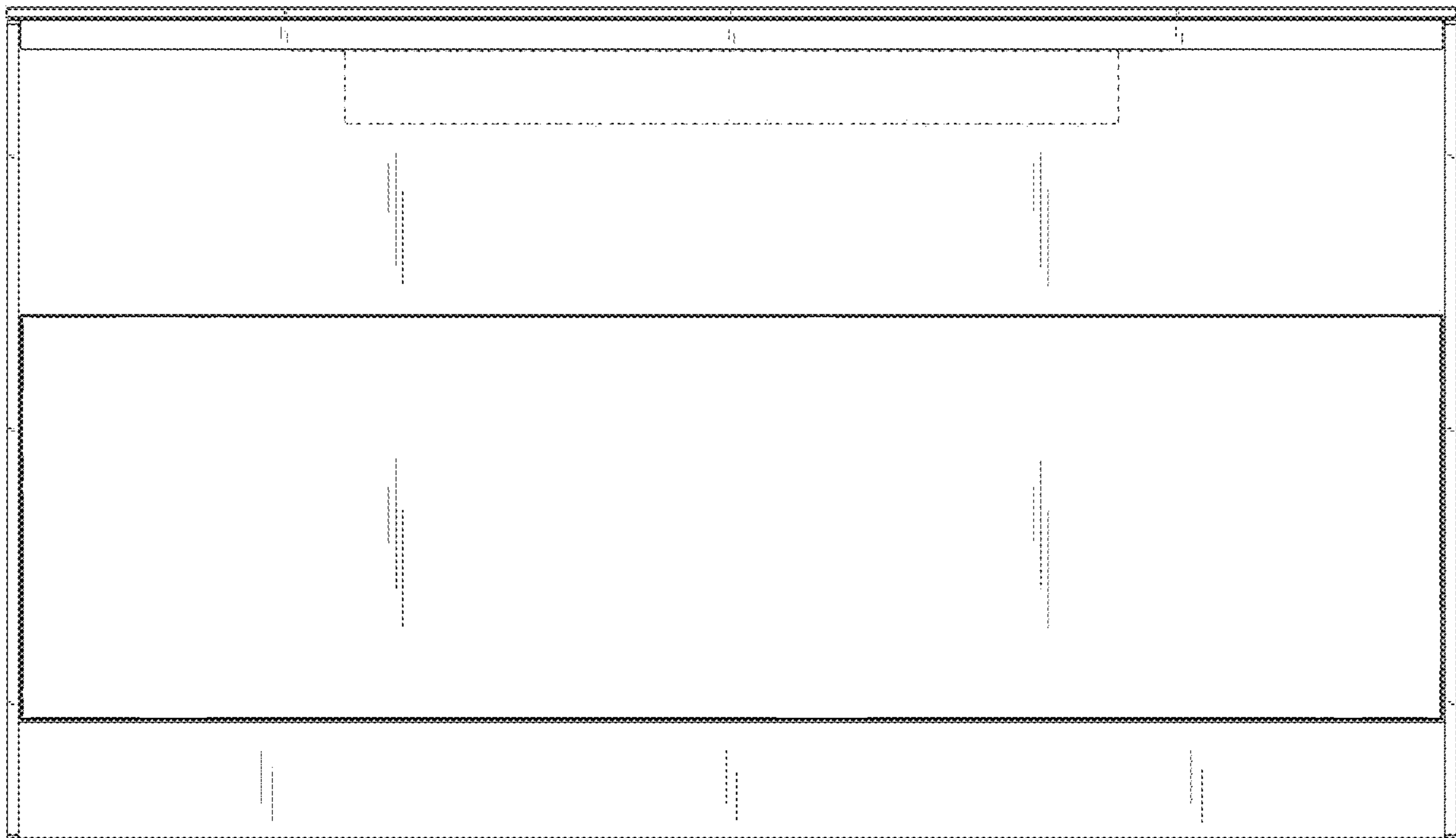


FIG. 14

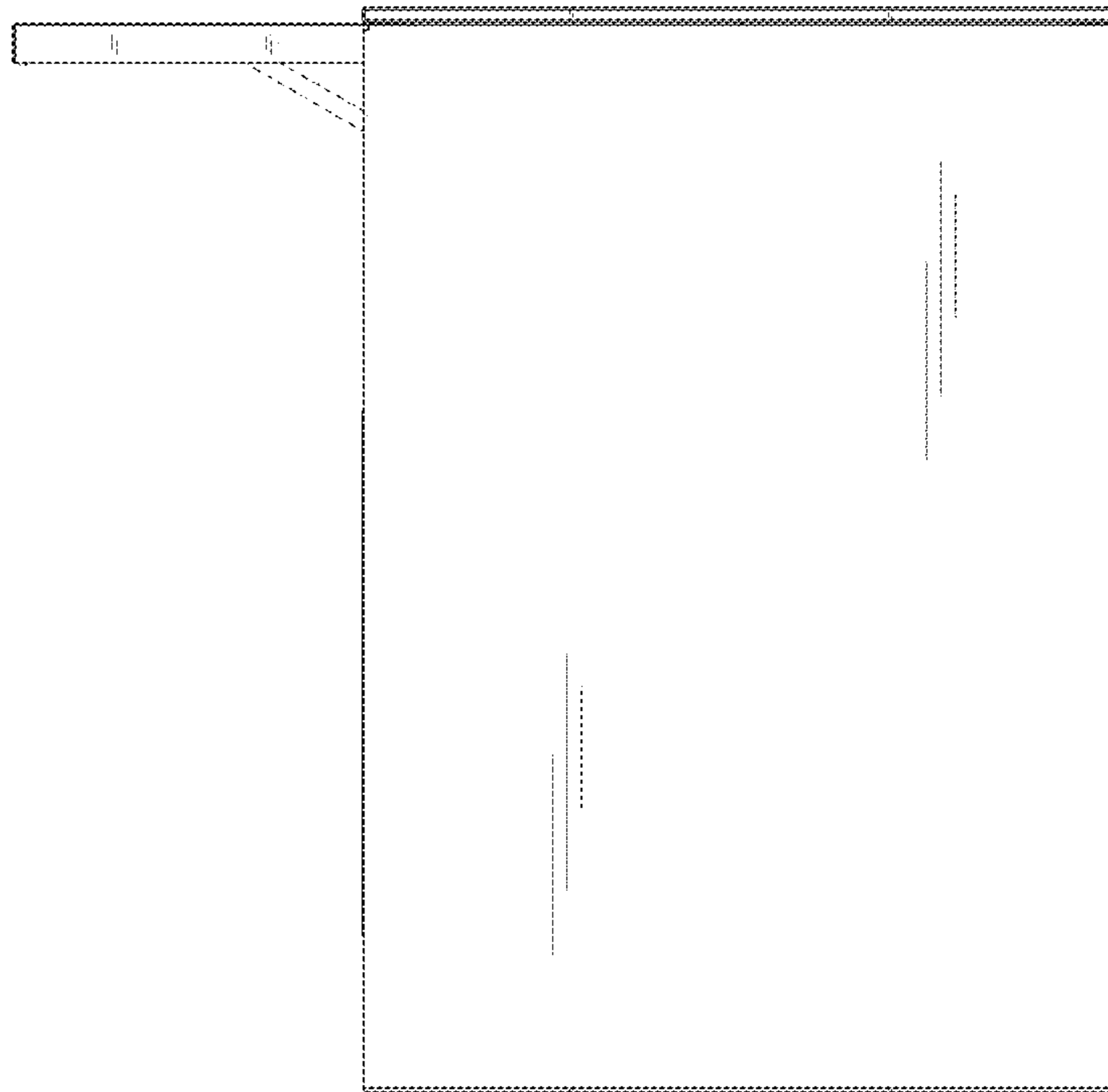


FIG. 15

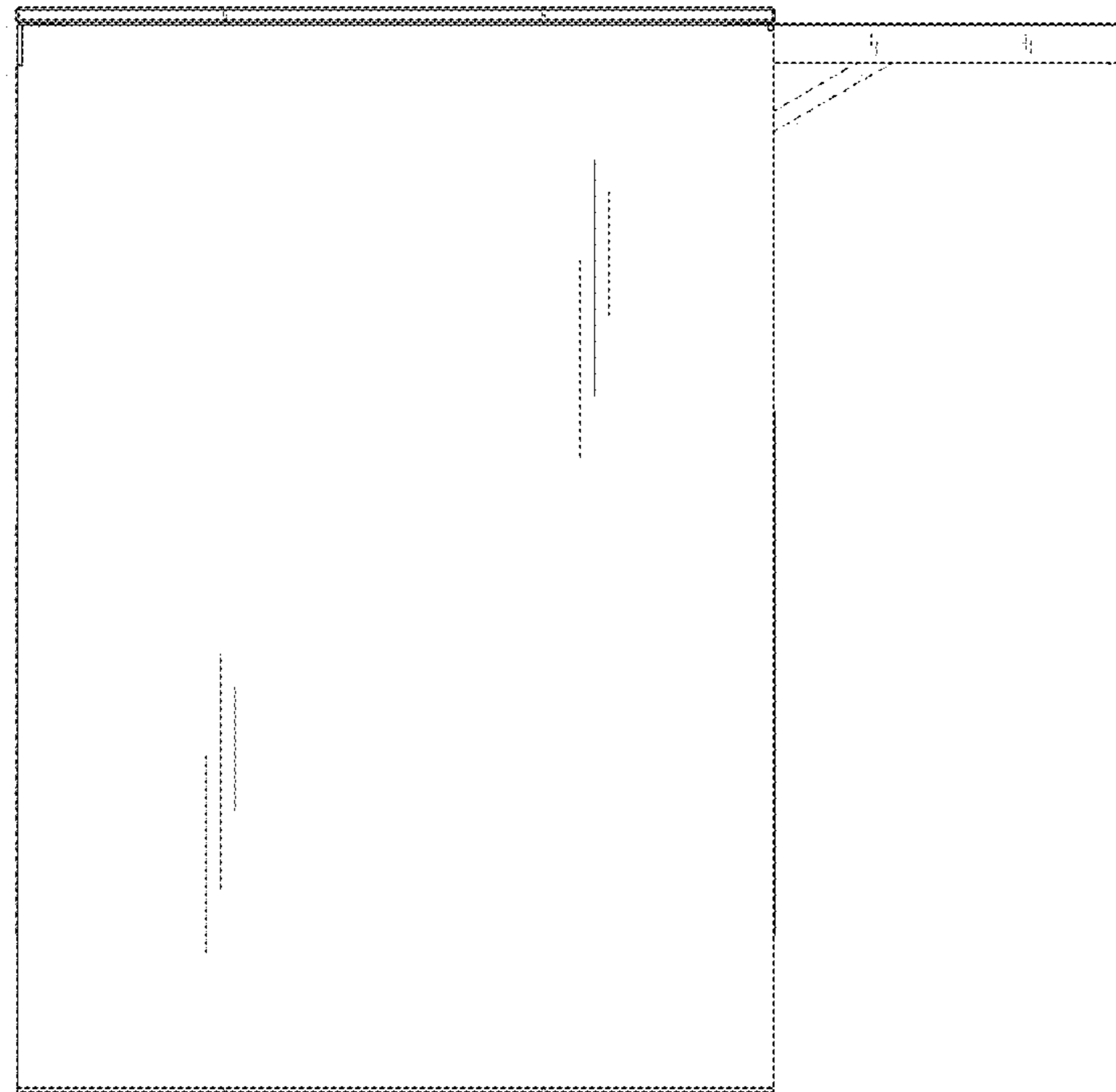


FIG. 16

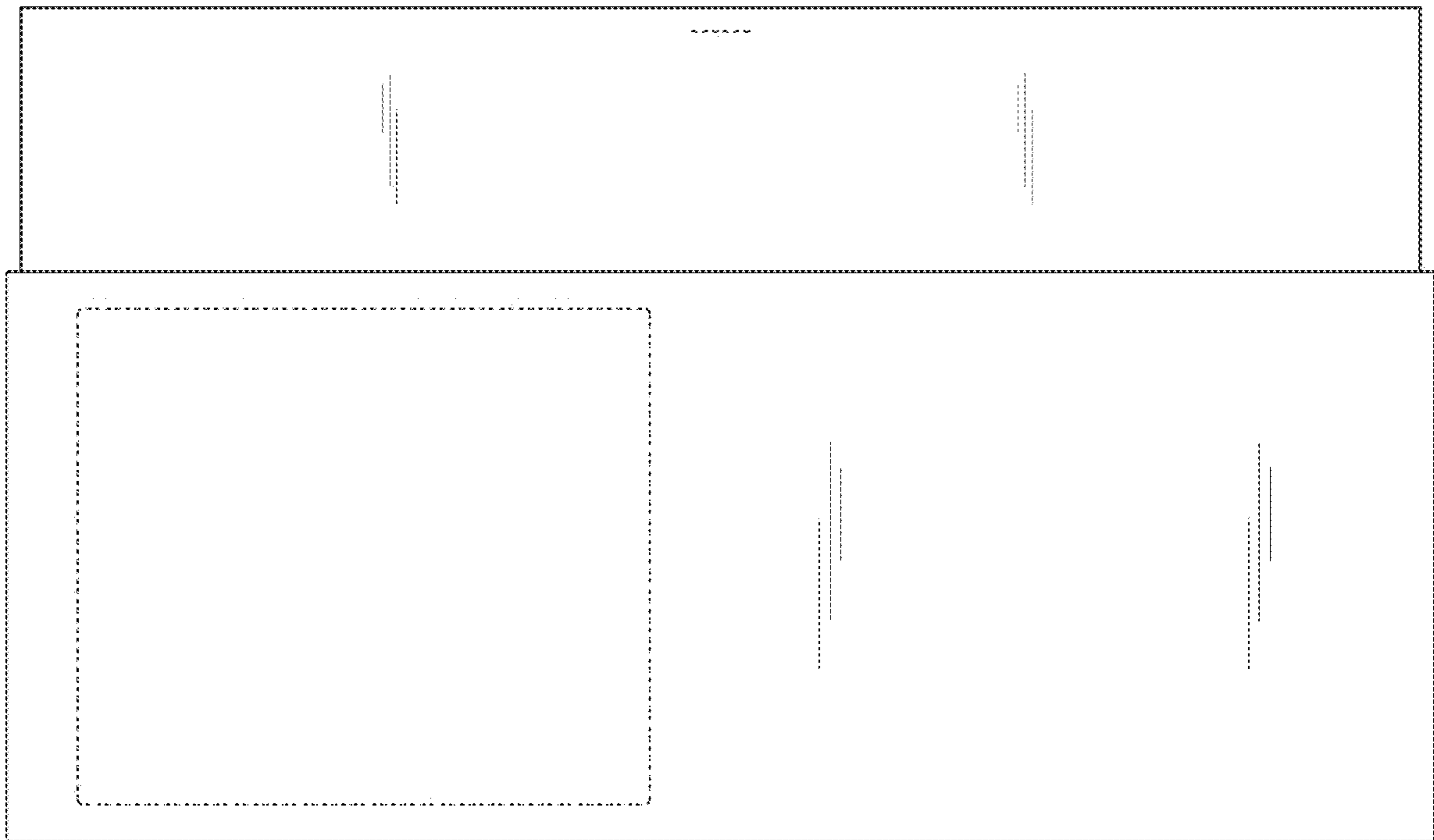


FIG. 17

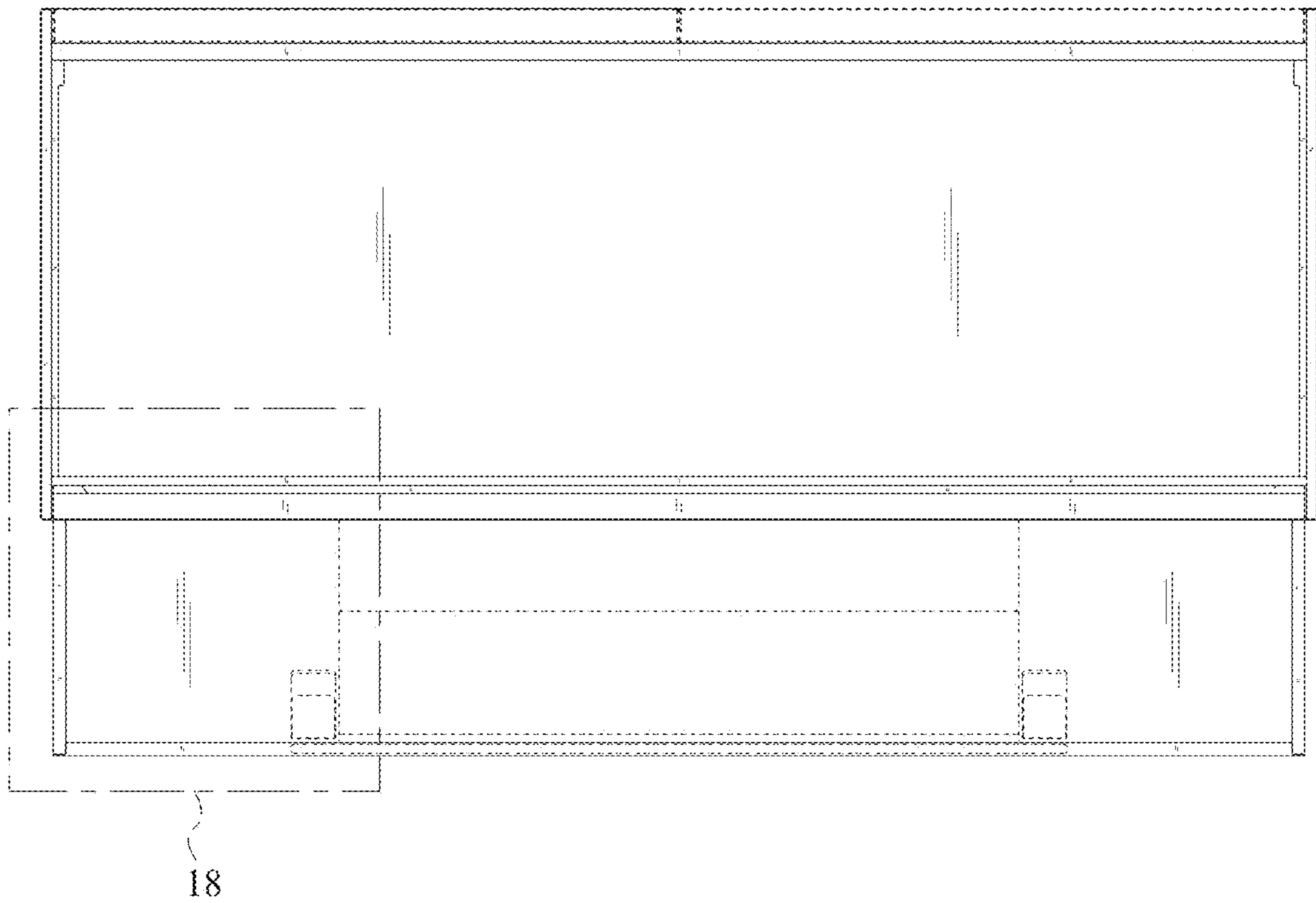


FIG. 18

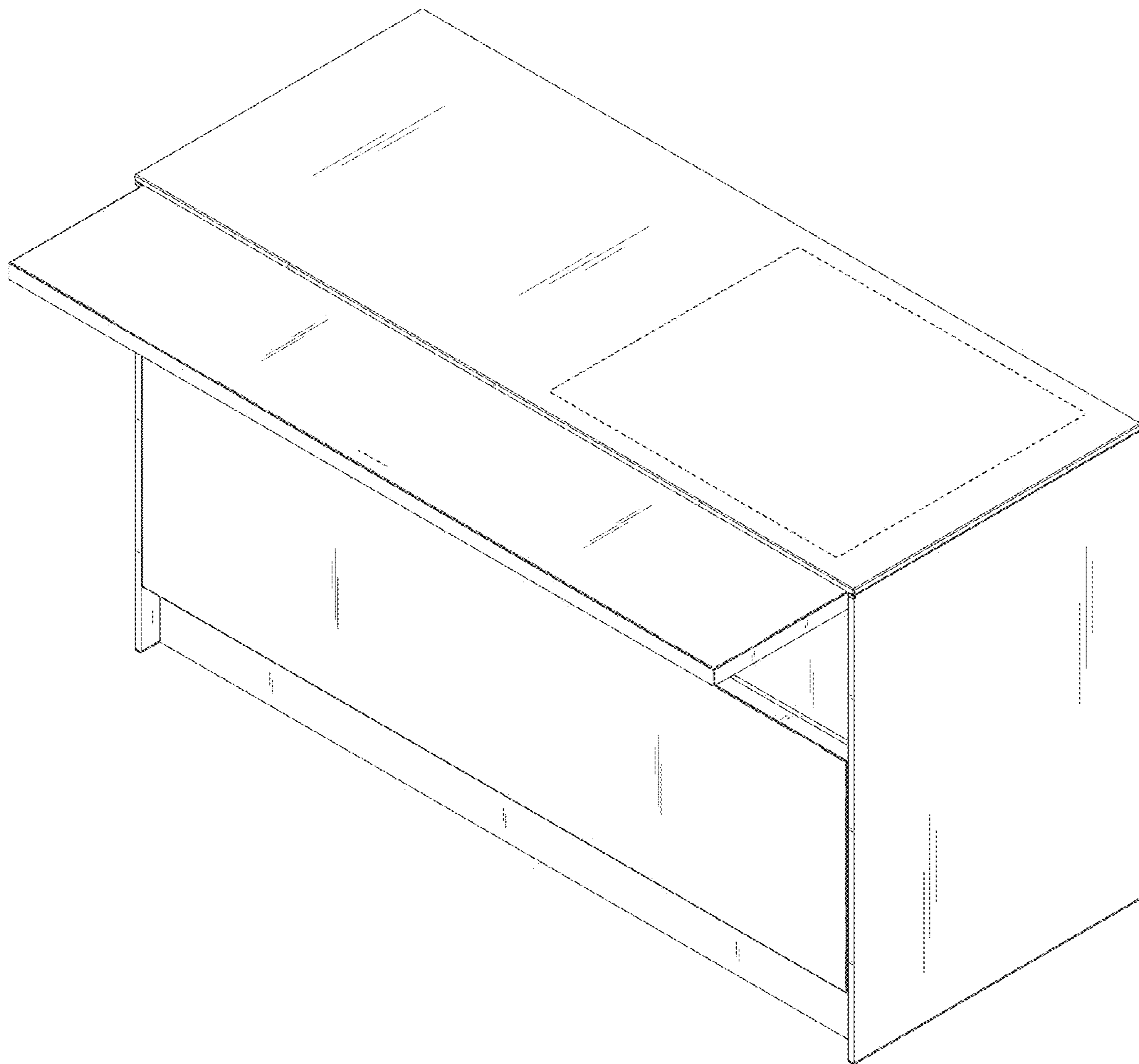


FIG. 19

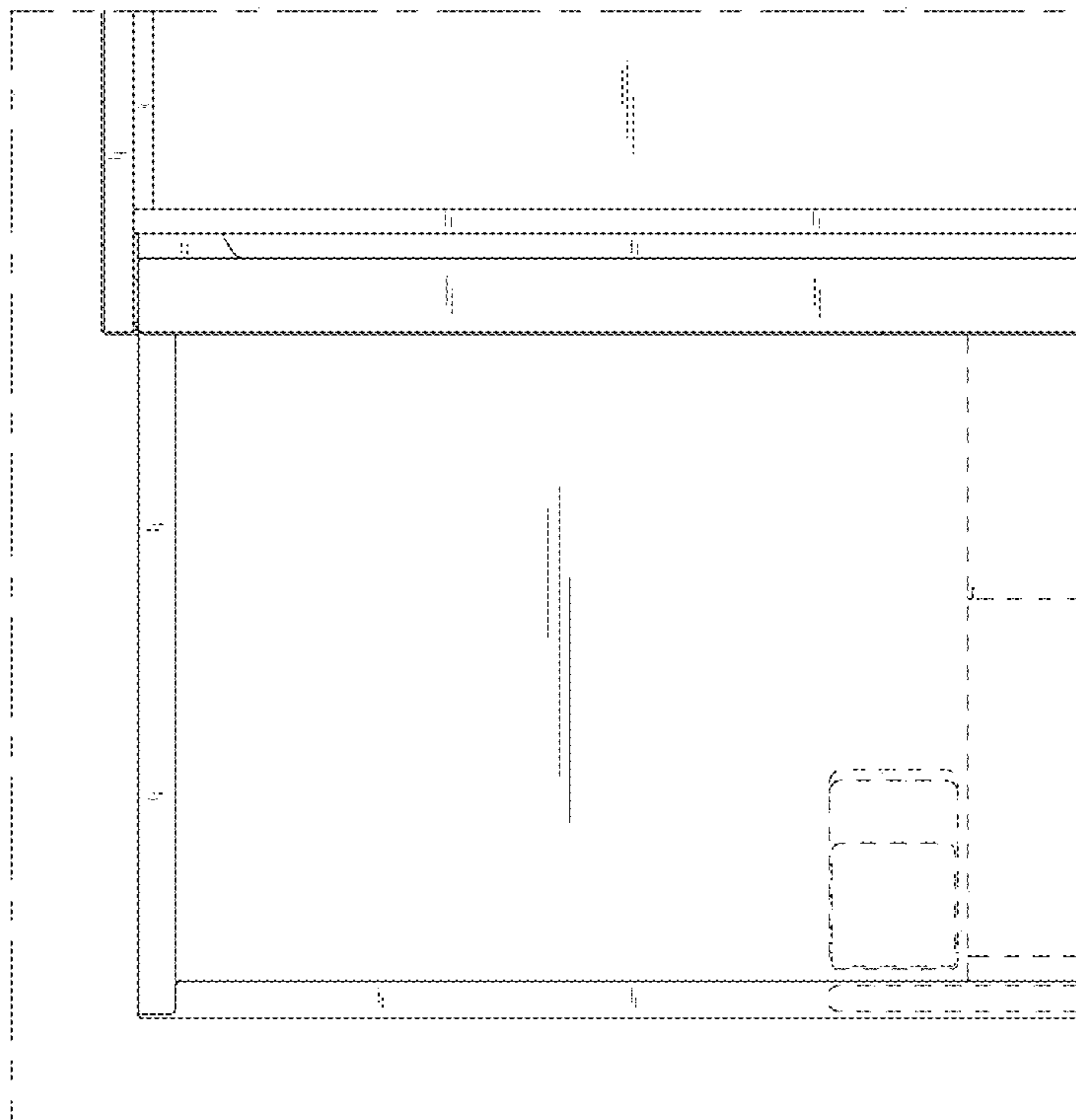


FIG. 20

