



US00D949213S

(12) **United States Design Patent**
Kang et al.

(10) **Patent No.:** **US D949,213 S**
(45) **Date of Patent:** **** Apr. 19, 2022**

(54) **REFRIGERATOR**

(71) Applicant: **Samsung Electronics Co., Ltd.**,
Suwon-si (KR)

(72) Inventors: **Ji Chang Kang**, Suwon-si (KR);
Hyeong Ju Seo, Suwon-si (KR)

(73) Assignee: **Samsung Electronics Co., Ltd.**,
Suwon-si (KR)

(**) Term: **15 Years**

(21) Appl. No.: **29/691,264**

(22) Filed: **May 15, 2019**

(30) **Foreign Application Priority Data**

Mar. 15, 2019 (KR) 30-2019-0011854

(51) **LOC (13) Cl.** **15-07**

(52) **U.S. Cl.**
USPC **D15/79**

(58) **Field of Classification Search**
USPC D15/79-91; D6/663, 664, 667, 668,
D6/668.1, 668.2, 669, 671, 671.1, 705
(Continued)

(56) **References Cited**

U.S. PATENT DOCUMENTS

D690,742 S * 10/2013 Sussman D15/81
D702,265 S * 4/2014 Iovanel D15/85
(Continued)

FOREIGN PATENT DOCUMENTS

CN 201830133953.4 11/2018
CN 2018302193737 11/2018
(Continued)

Primary Examiner — Khawaja Anwar

(74) *Attorney, Agent, or Firm* — NSIP Law

(57) **CLAIM**

We claim the ornamental design for a refrigerator, as shown and described.

DESCRIPTION

FIG. 1 is a front perspective view of a refrigerator showing our new design according to a first embodiment;

FIG. 2 is a front view thereof;

FIG. 3 is a rear view thereof;

FIG. 4 is a left-side view thereof;

FIG. 5 is a right-side view thereof;

FIG. 6 is a top view thereof;

FIG. 7 is a bottom view thereof;

FIG. 8 is a rear perspective view thereof;

FIG. 9 is an enlarged view of the encircled portion in FIG. 1;

FIG. 10 is a front perspective view of a refrigerator showing our new design according to a second embodiment;

FIG. 11 is a front view thereof;

FIG. 12 is a rear view thereof;

FIG. 13 is a left-side view thereof;

FIG. 14 is a right-side view thereof;

FIG. 15 is a top view thereof;

FIG. 16 is a bottom view thereof;

FIG. 17 is a rear perspective view thereof;

FIG. 18 is an enlarged view of the encircled portion in FIG. 10;

FIG. 19 is a front perspective view of a refrigerator showing our new design according to a third embodiment;

FIG. 20 is a front view thereof;

FIG. 21 is a rear view thereof;

FIG. 22 is a left-side view thereof;

FIG. 23 is a right-side view thereof;

FIG. 24 is a top view thereof;

FIG. 25 is a bottom view thereof;

FIG. 26 is a rear perspective view thereof;

FIG. 27 is an enlarged view of the encircled portion in FIG. 19;

FIG. 28 is a front perspective view of a refrigerator showing our new design according to a fourth embodiment;

FIG. 29 is a front view thereof;

FIG. 30 is a rear view thereof;

(Continued)

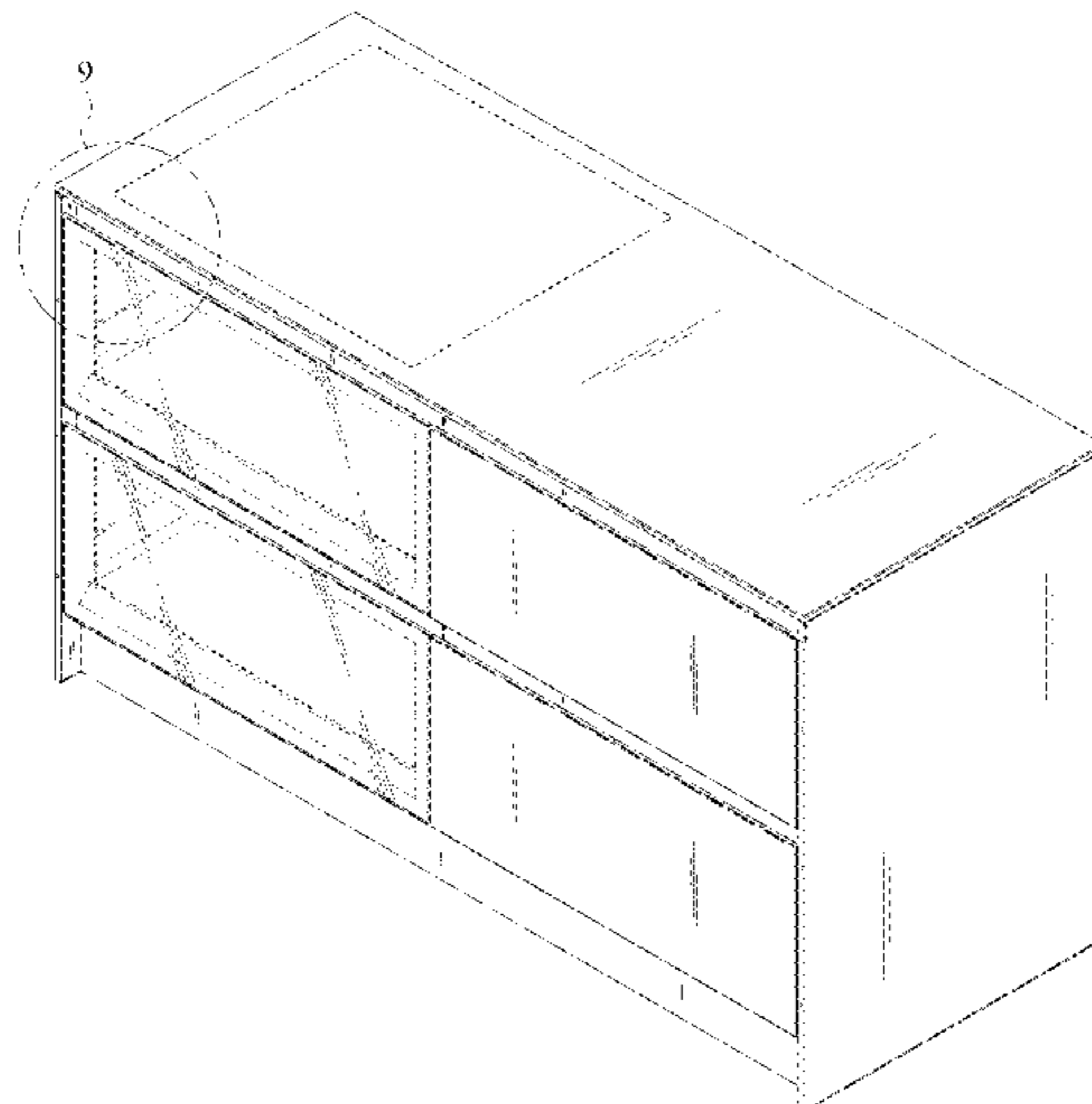


FIG. 31 is a left-side view thereof;
 FIG. 32 is a right-side view thereof;
 FIG. 33 is a top view thereof;
 FIG. 34 is a bottom view thereof;
 FIG. 35 is a rear perspective view thereof;
 FIG. 36 is an enlarged view of the encircled portion in FIG. 28;
 FIG. 37 is a front perspective view of a refrigerator showing our new design according to a fifth embodiment;
 FIG. 38 is a front view thereof;
 FIG. 39 is a rear view thereof;
 FIG. 40 is a left-side view thereof;
 FIG. 41 is a right-side view thereof;
 FIG. 42 is a top view thereof;
 FIG. 43 is a bottom view thereof;
 FIG. 44 is a rear perspective view thereof; and,
 FIG. 45 is an enlarged view of the encircled portion in FIG. 37; and,
 FIG. 46 is a cross sectional view thereof, taken along line 46-46 in FIG. 2, 11, 20, 29, and 38.
 The evenly-dashed broken lines in the figures depict portions of the refrigerator which form no part of the claimed design.
 The dot-dash broken lines illustrating portions of the claimed design that are shown in enlargements form no part of the claimed design.

1 Claim, 46 Drawing Sheets

(58) **Field of Classification Search**
 CPC .. F25D 11/00; F25D 17/065; F25D 2325/022;

F25D 23/069; F25D 25/025; F25D 11/02;
 F25D 17/062; F25D 21/12; F25D 21/125;
 F25D 21/14; F25D 2317/061; F25D
 2317/067; F25D 2323/021; F25D
 2323/024; F25D 23/028; F25D 23/04;
 F25D 23/066; F25D 23/085; F25D
 23/087; F25D 23/126; F25D 2400/02;
 F25D 2400/06; F25D 2400/361; F25D
 2400/40; F25D 25/005; F25D 25/02;
 F25D 2600/02; F25D 2700/02; F25D
 2700/12; F25D 2700/121; F25D 2700/14;
 F25D 29/00

See application file for complete search history.

(56)

References Cited

U.S. PATENT DOCUMENTS

| | | | | | | |
|----------|---|---|---------|-----------|-------|--------|
| D702,267 | S | * | 4/2014 | Iovanel | | D15/86 |
| D712,439 | S | * | 9/2014 | Iovanel | | D15/86 |
| D802,030 | S | * | 11/2017 | Thuma | | D15/81 |
| D817,366 | S | * | 5/2018 | Kim | | D15/79 |
| D821,457 | S | * | 6/2018 | Kim | | D15/79 |
| D893,556 | S | * | 8/2020 | Giulietti | | D15/79 |
| D907,073 | S | * | 1/2021 | Liu | | D15/79 |
| D911,077 | S | * | 2/2021 | Kim | | D6/660 |
| D935,492 | S | * | 11/2021 | Seo | | D15/79 |

FOREIGN PATENT DOCUMENTS

| | | |
|----|-----------------|---------|
| JP | D1535480 | 10/2015 |
| KR | 30-2016-0062626 | 9/2018 |
| KR | 30-2016-0061986 | 10/2018 |

* cited by examiner

FIG. 1

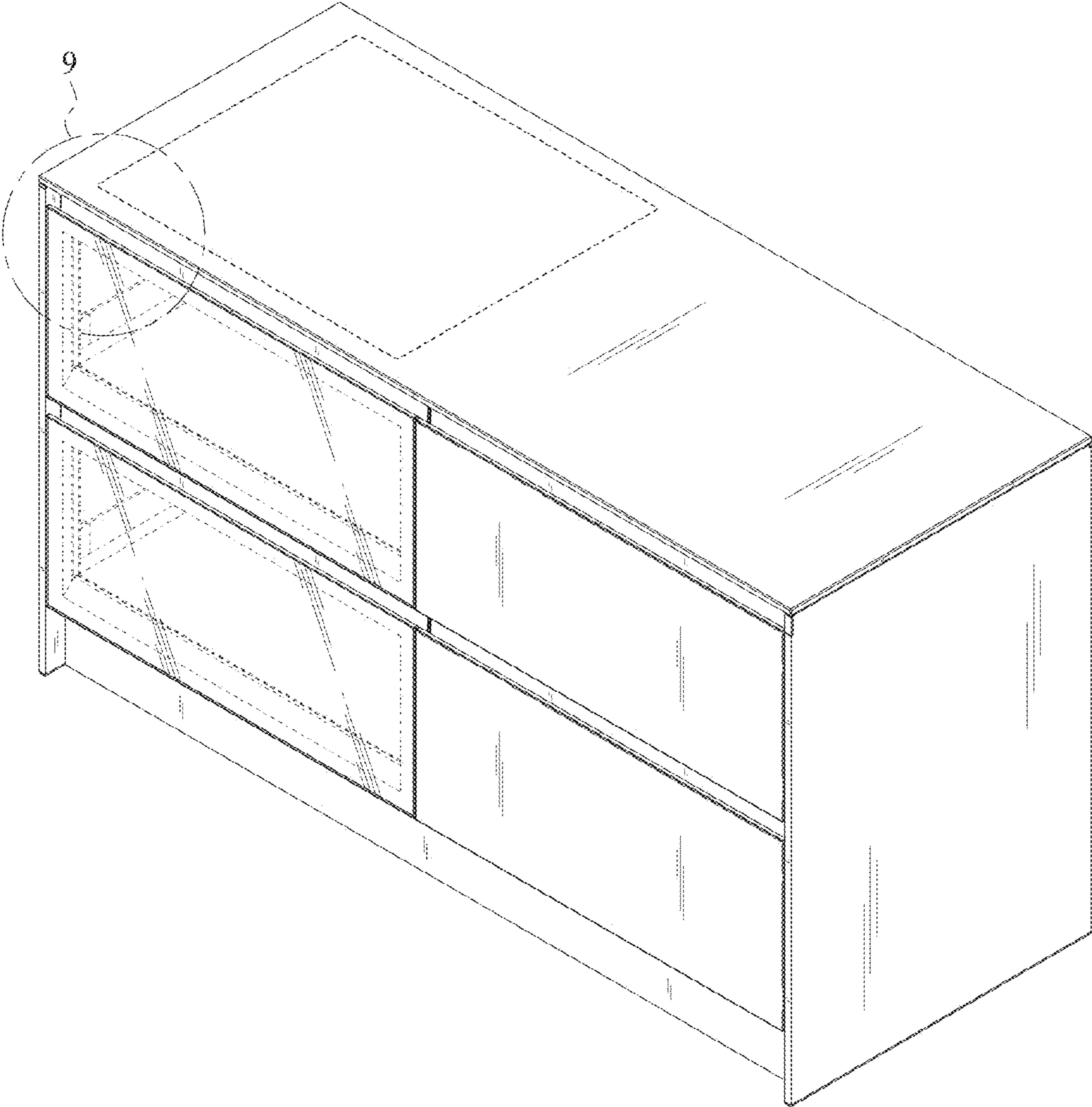


FIG. 2

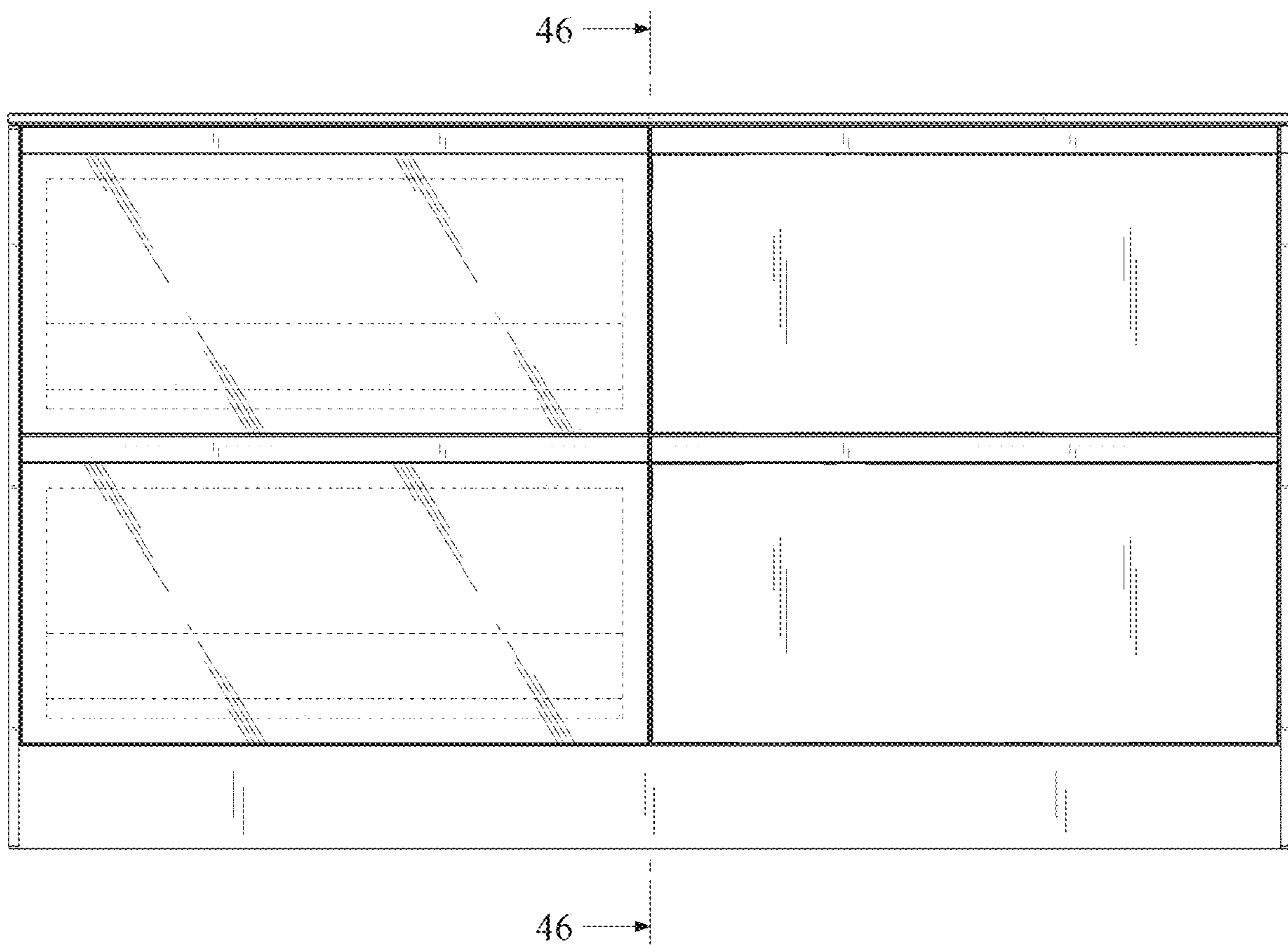


FIG. 3

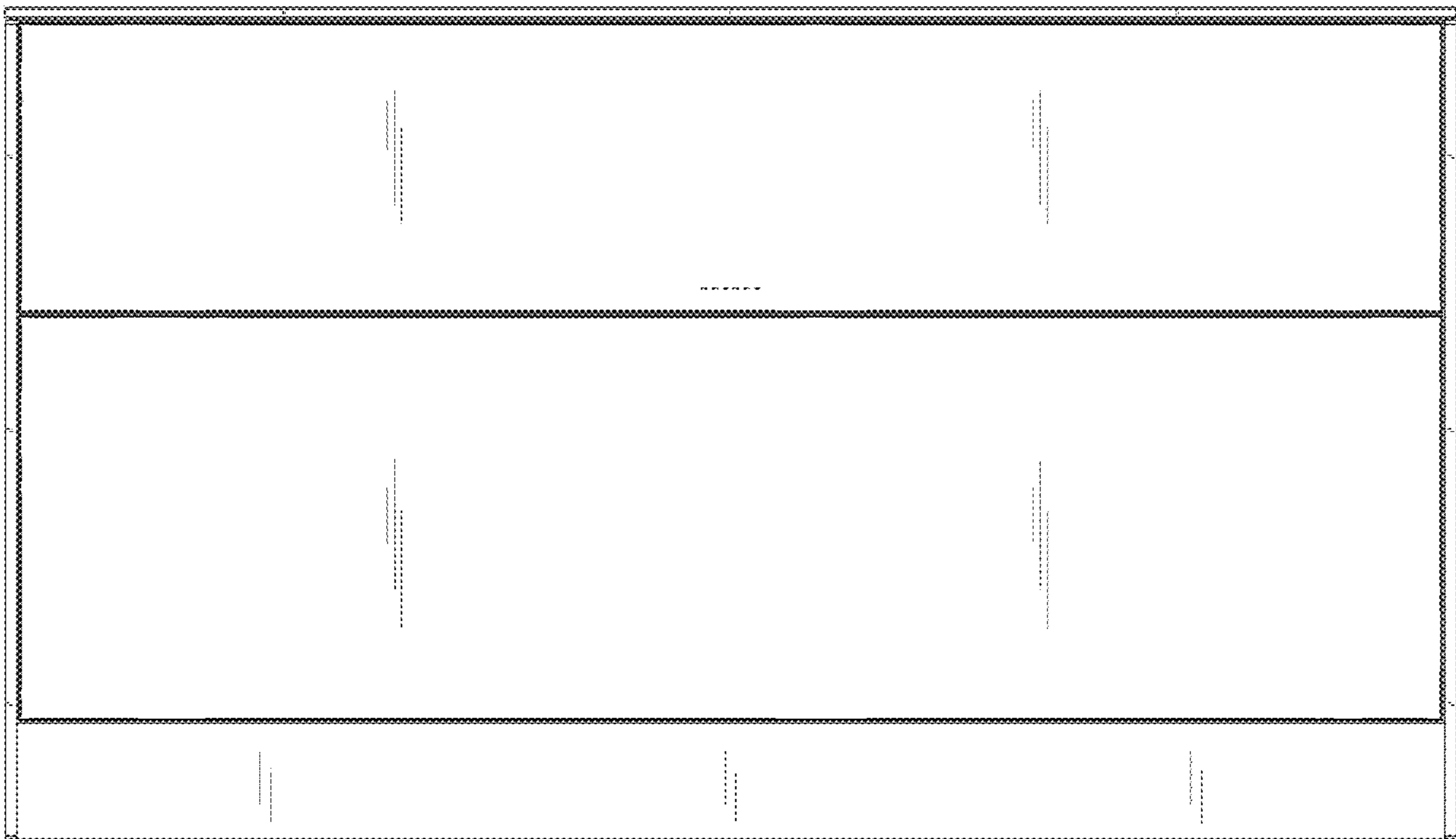


FIG. 4

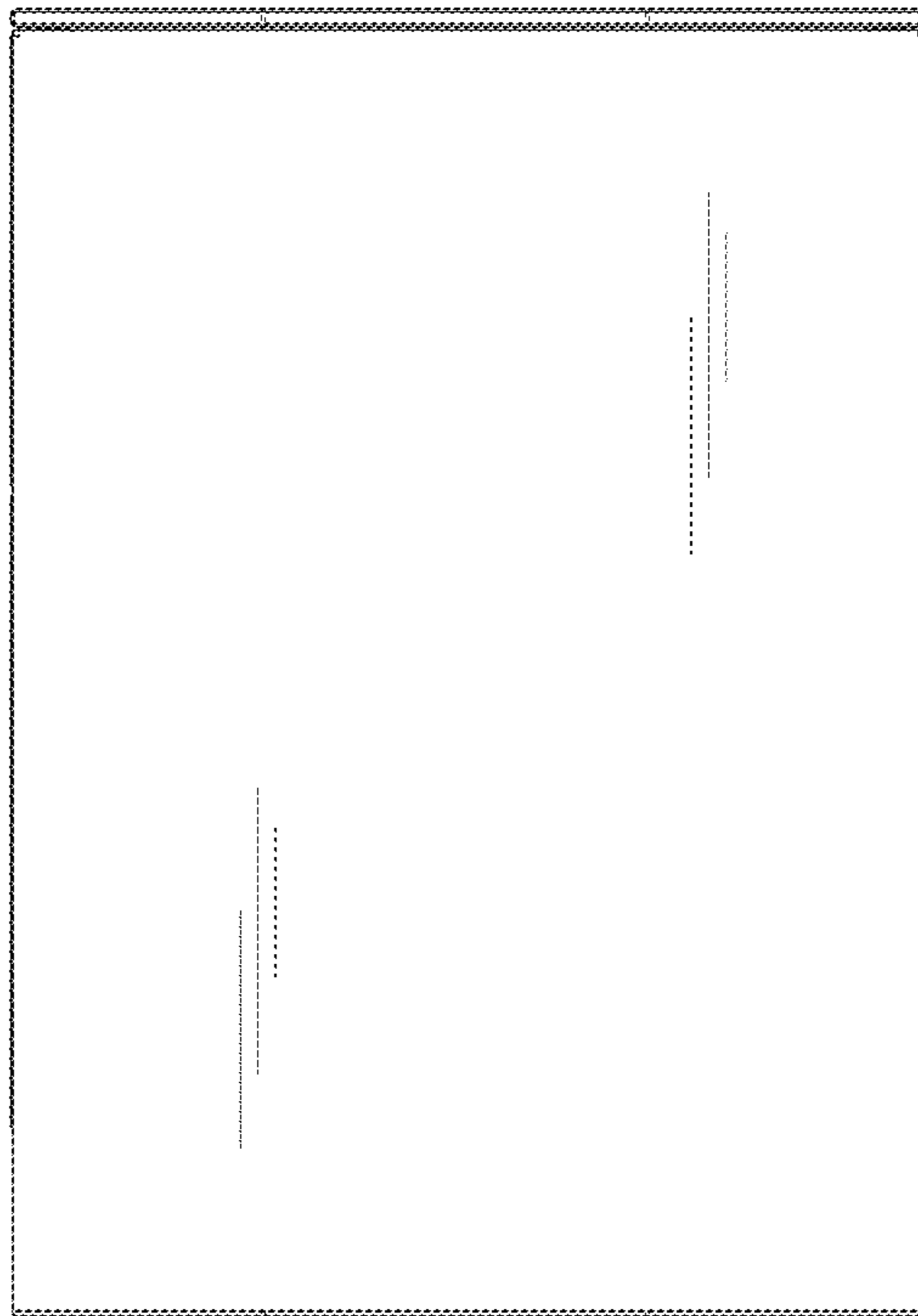


FIG. 5

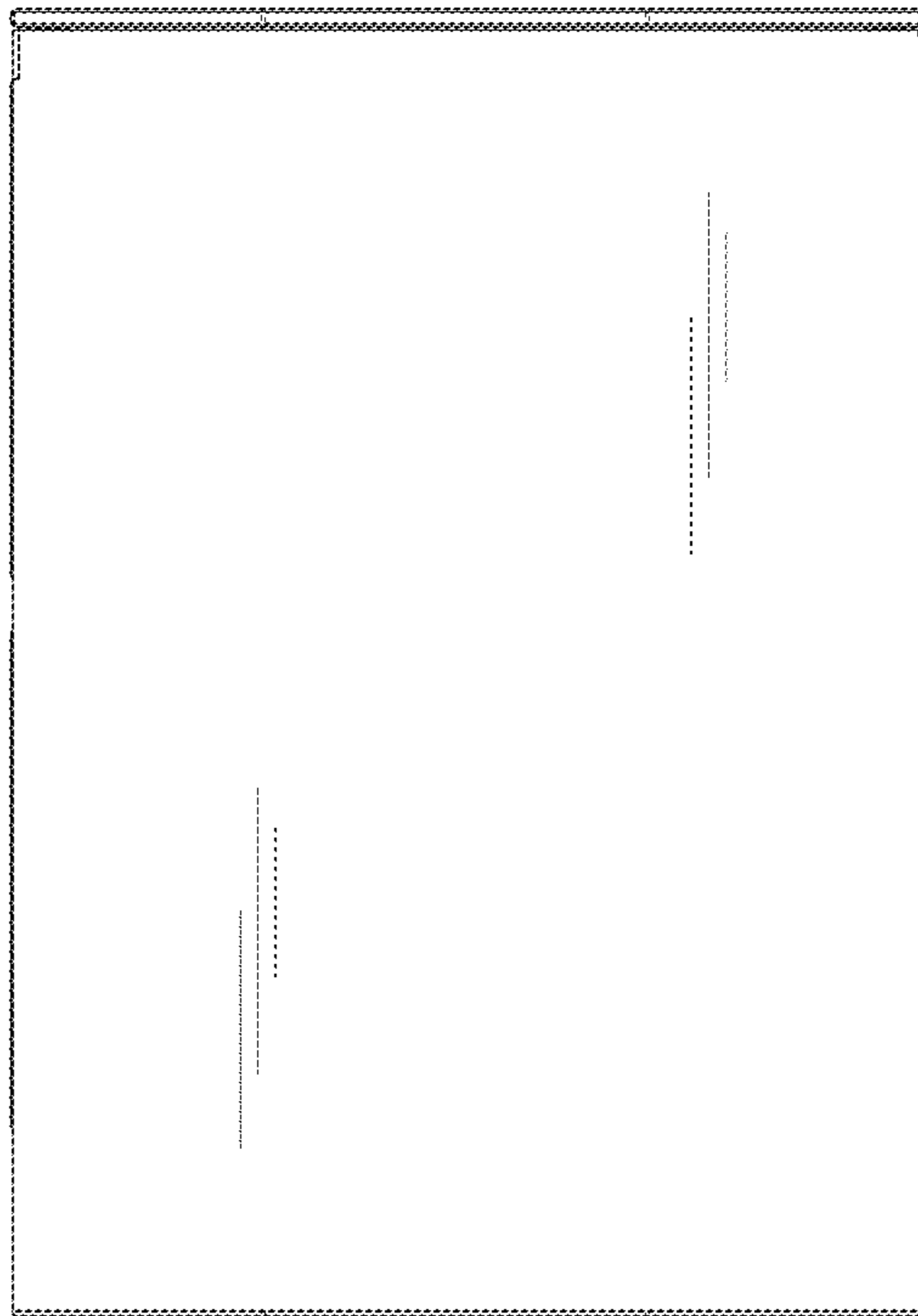


FIG. 6

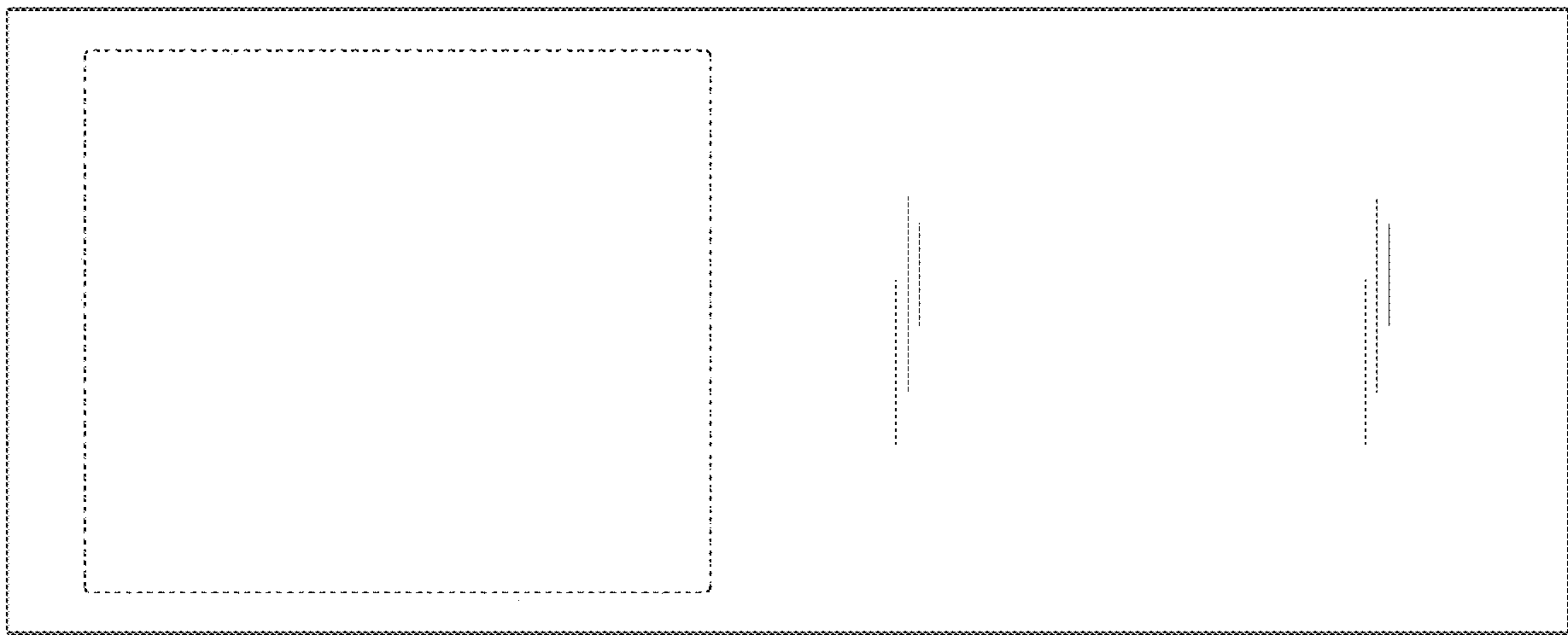


FIG. 7

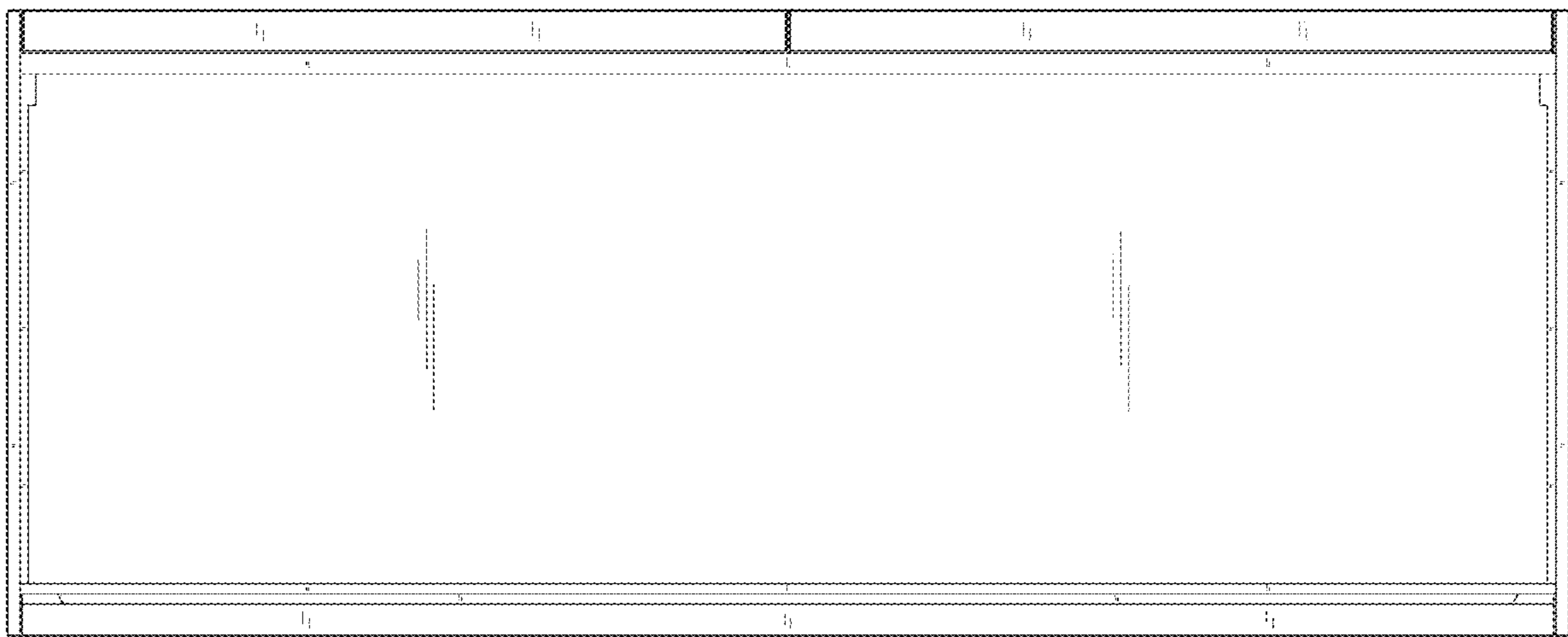


FIG. 8

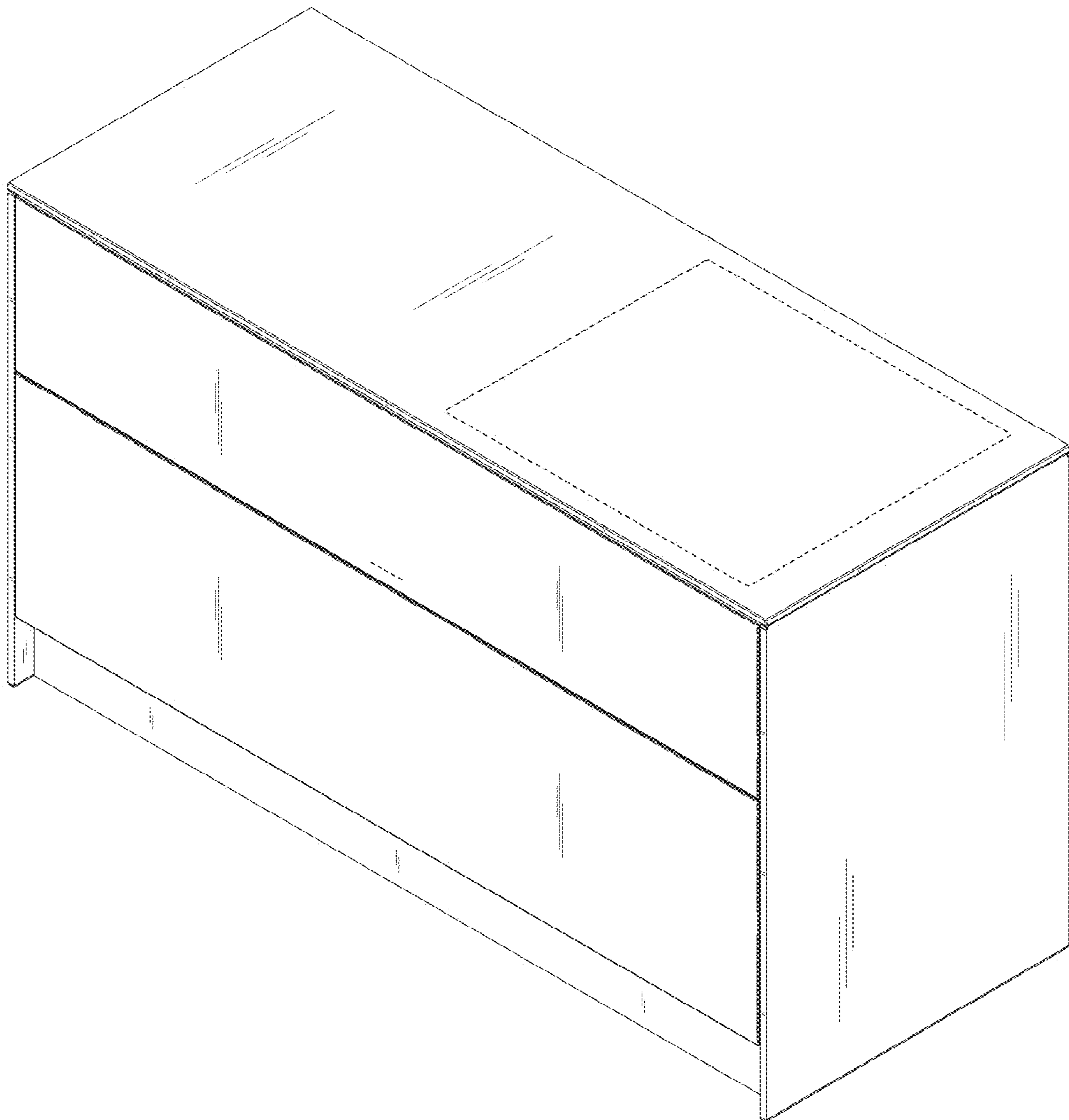


FIG. 9

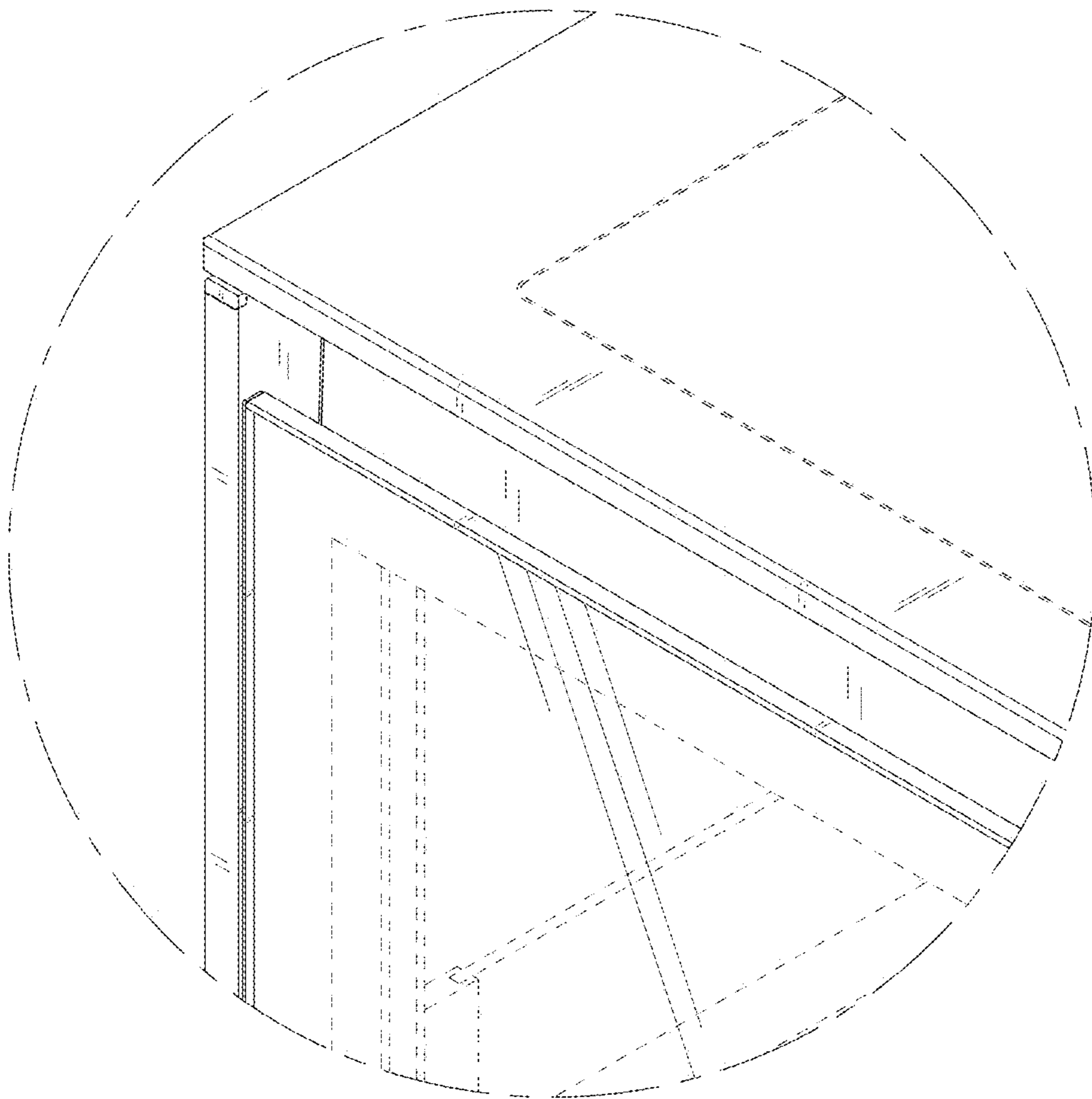


FIG. 10

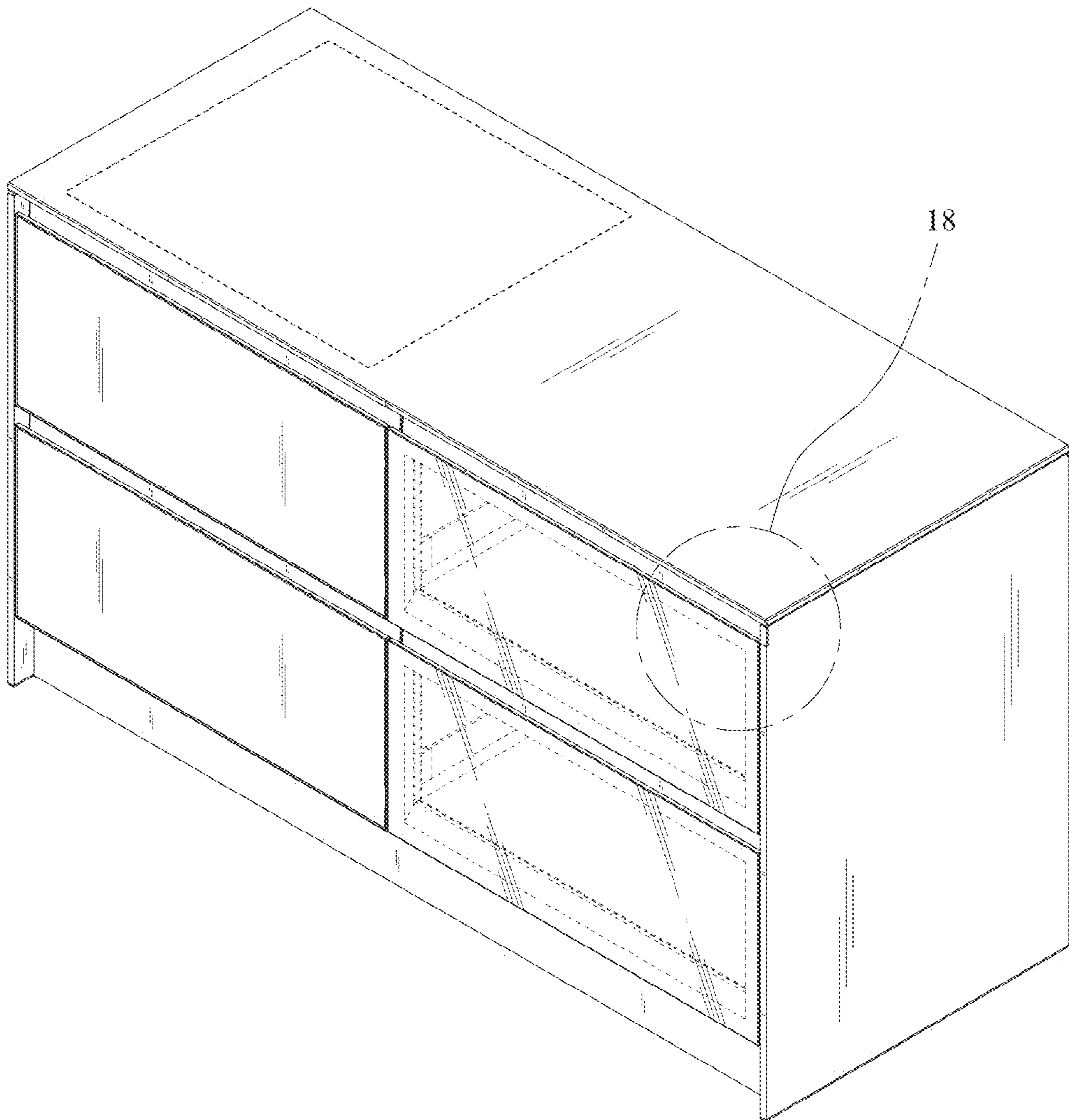


FIG. 11

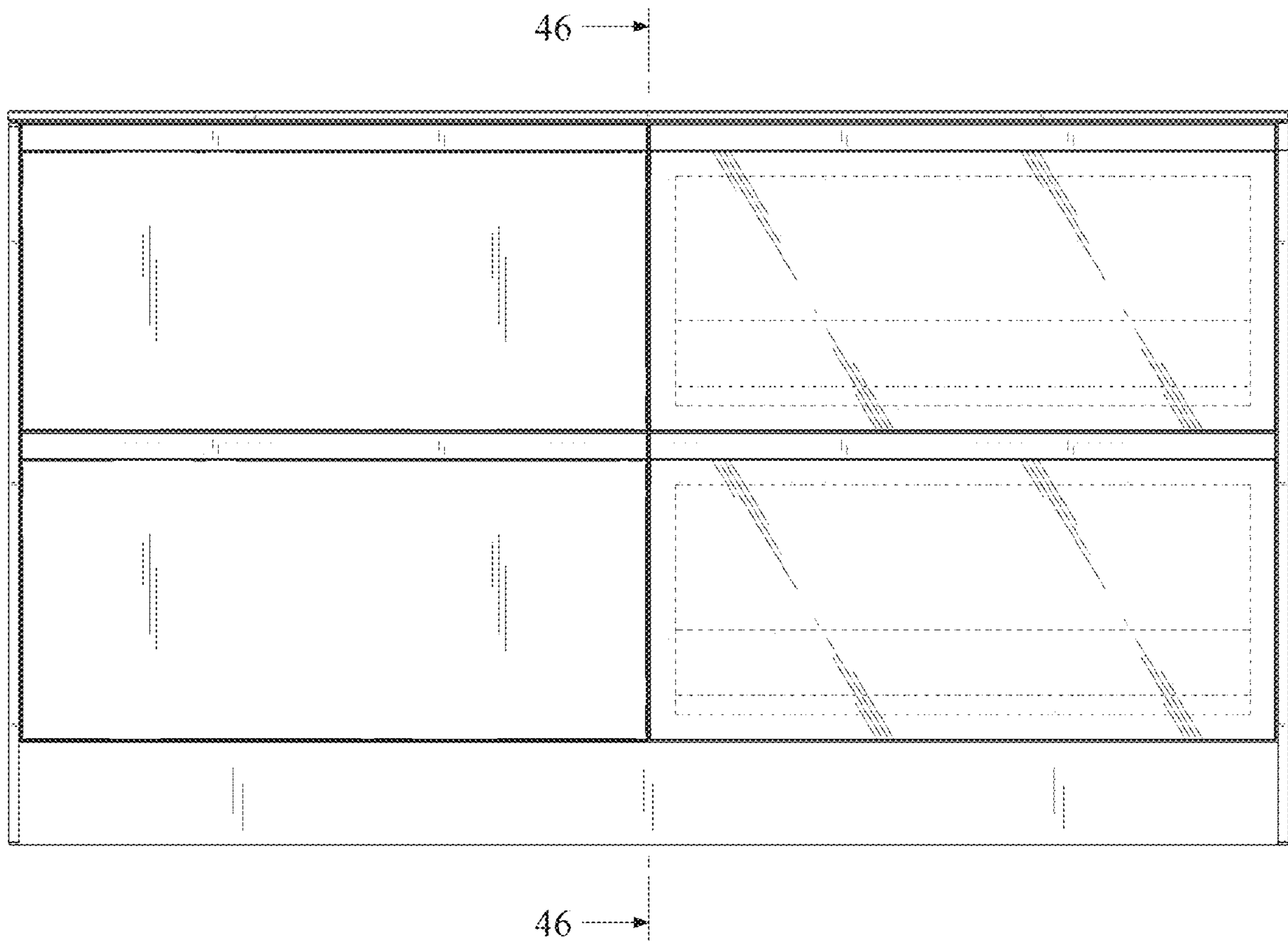


FIG. 12



FIG. 13

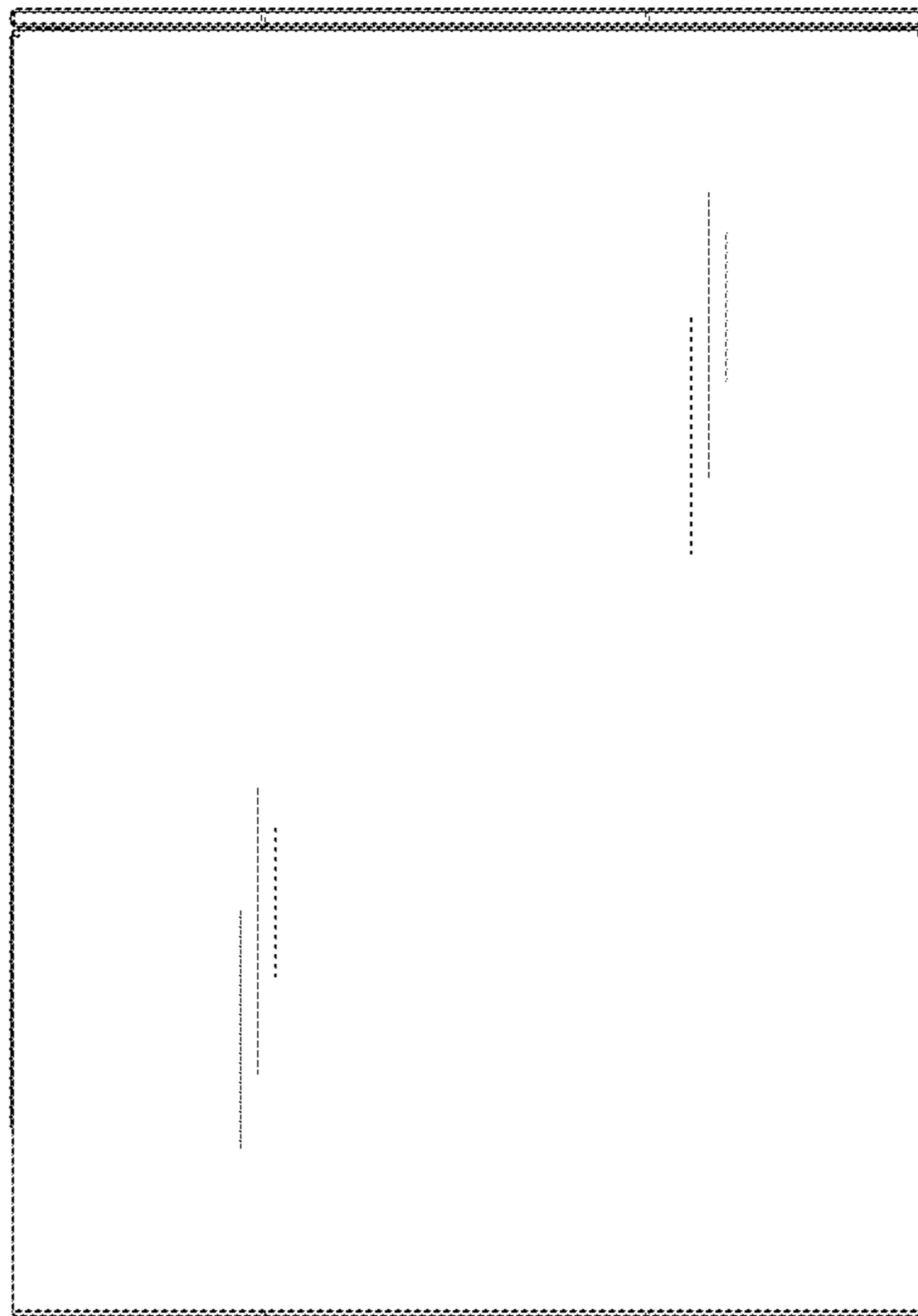


FIG. 14

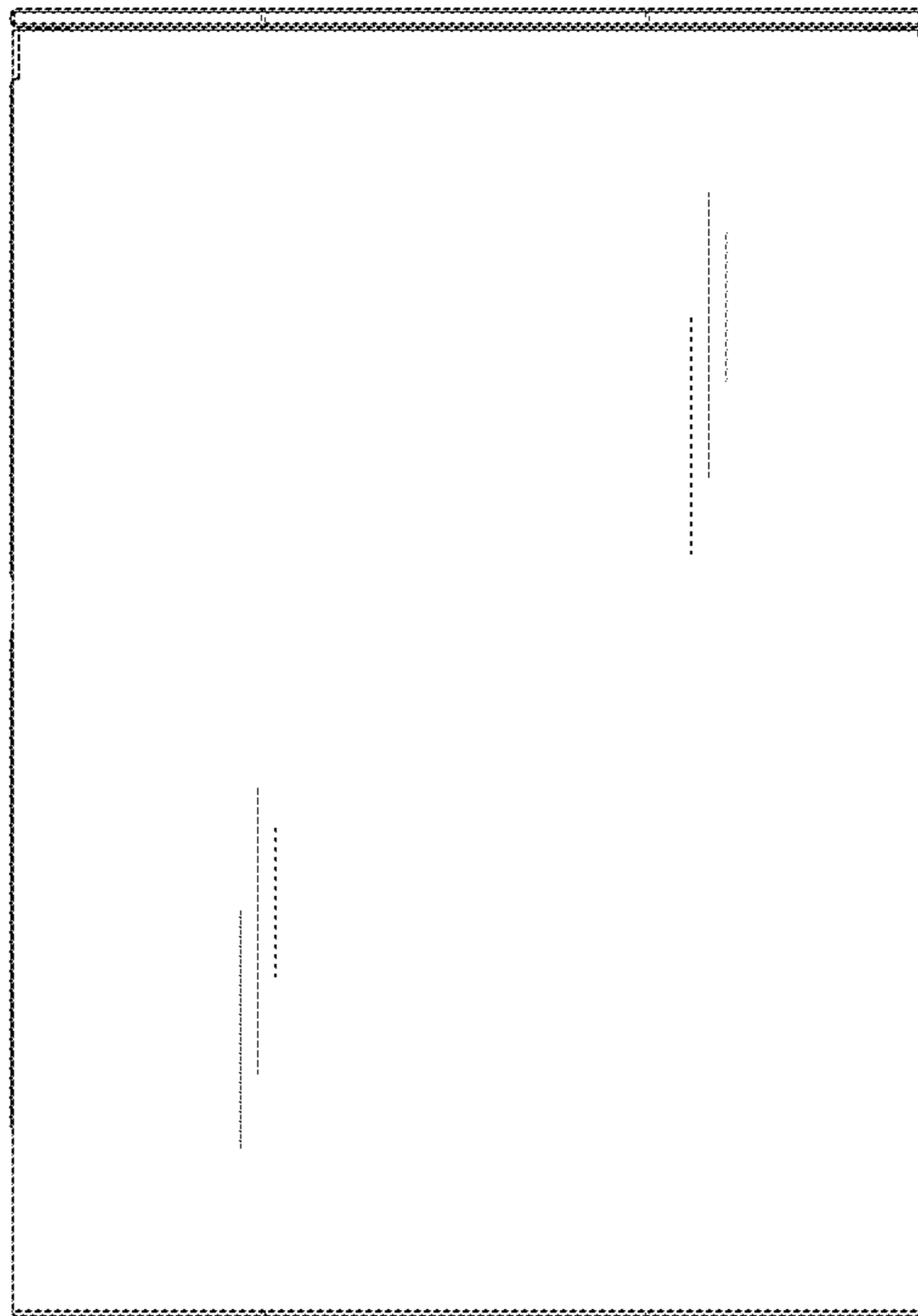


FIG. 15

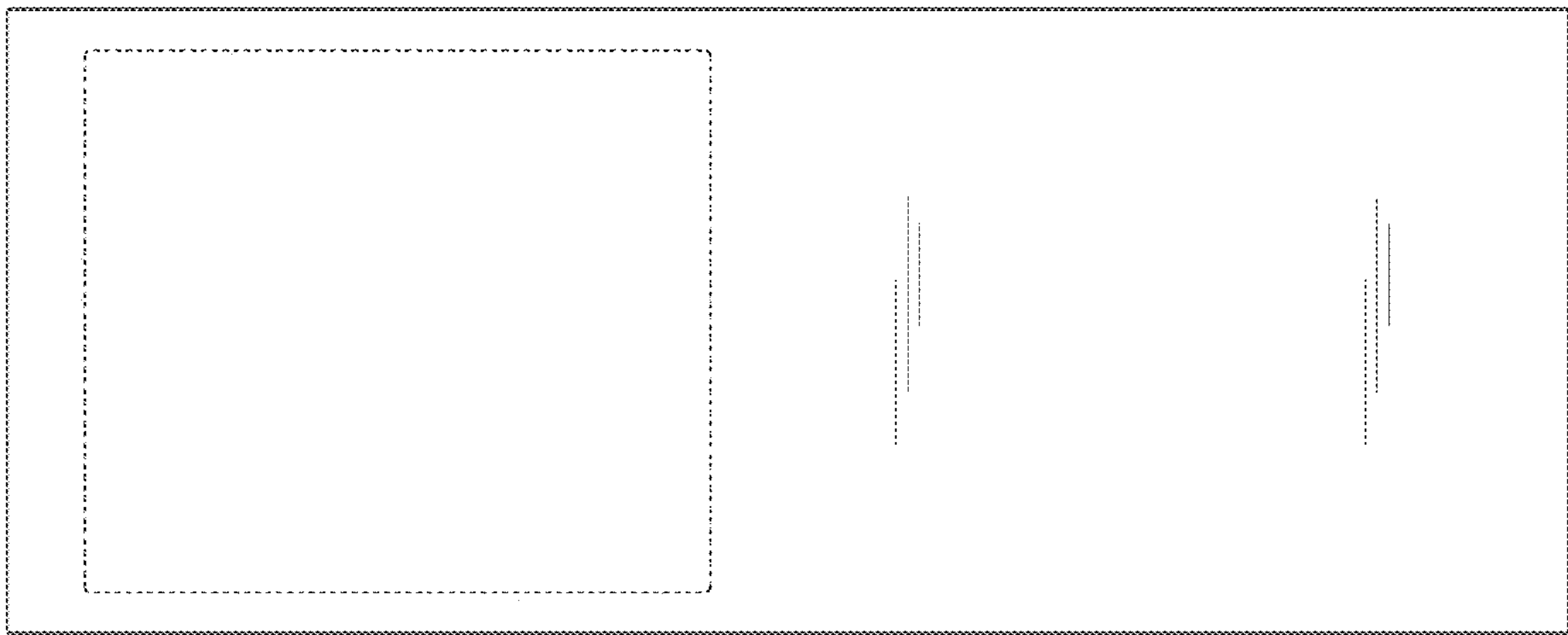


FIG. 16

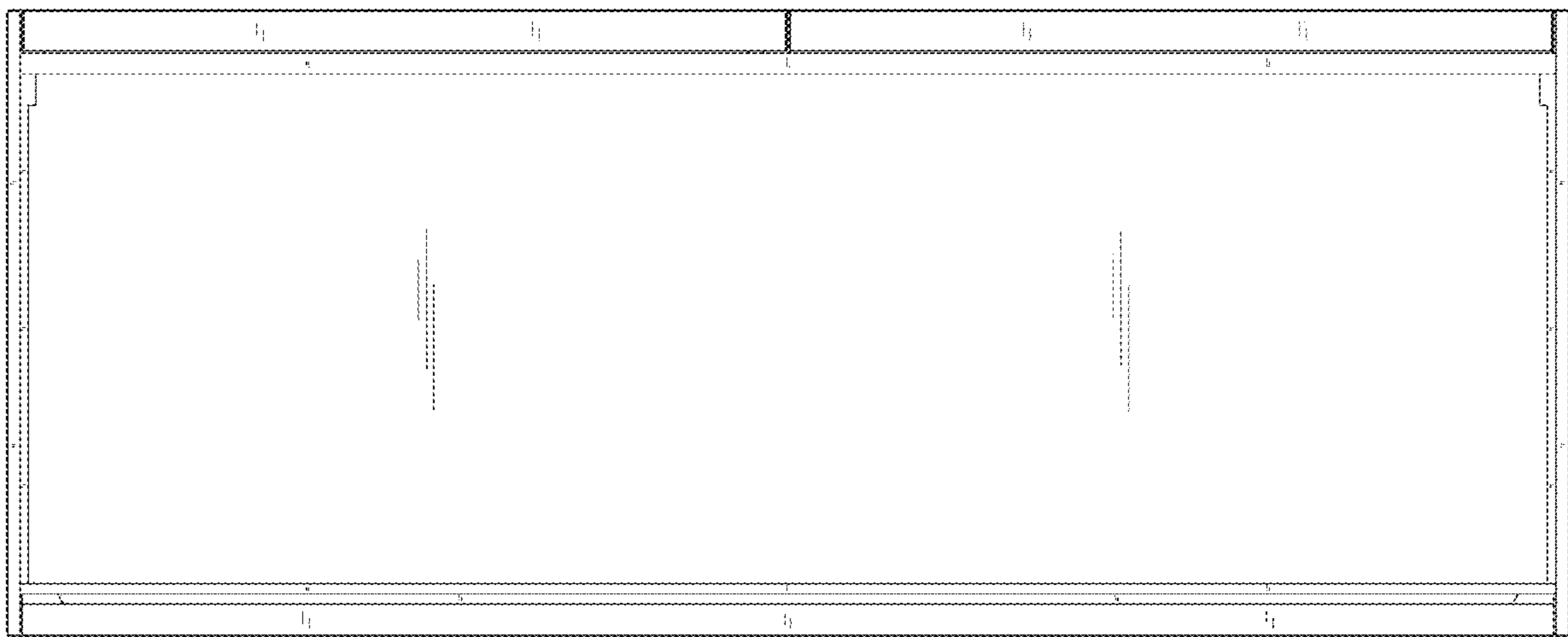


FIG. 17

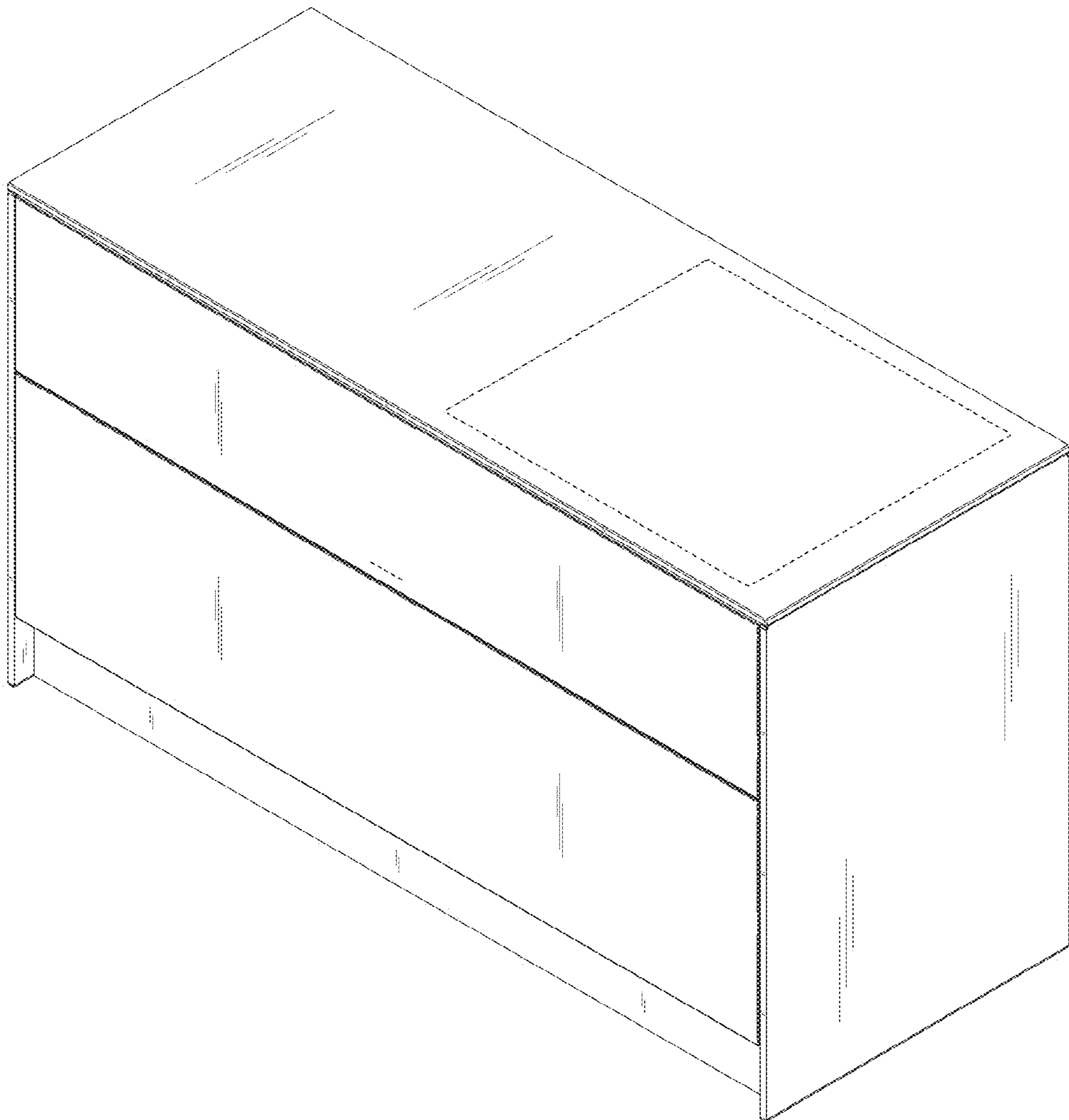


FIG. 18

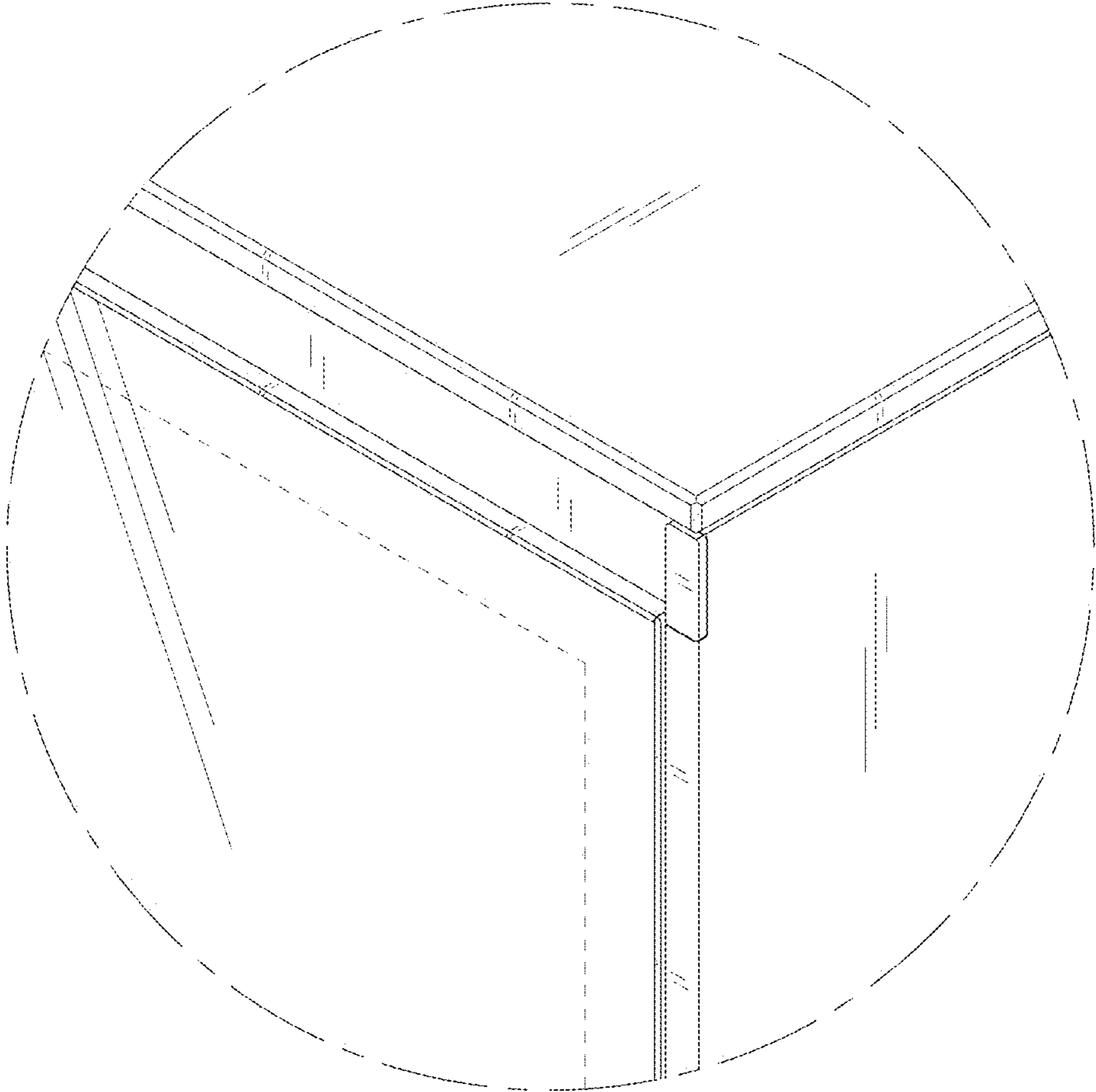


FIG. 19

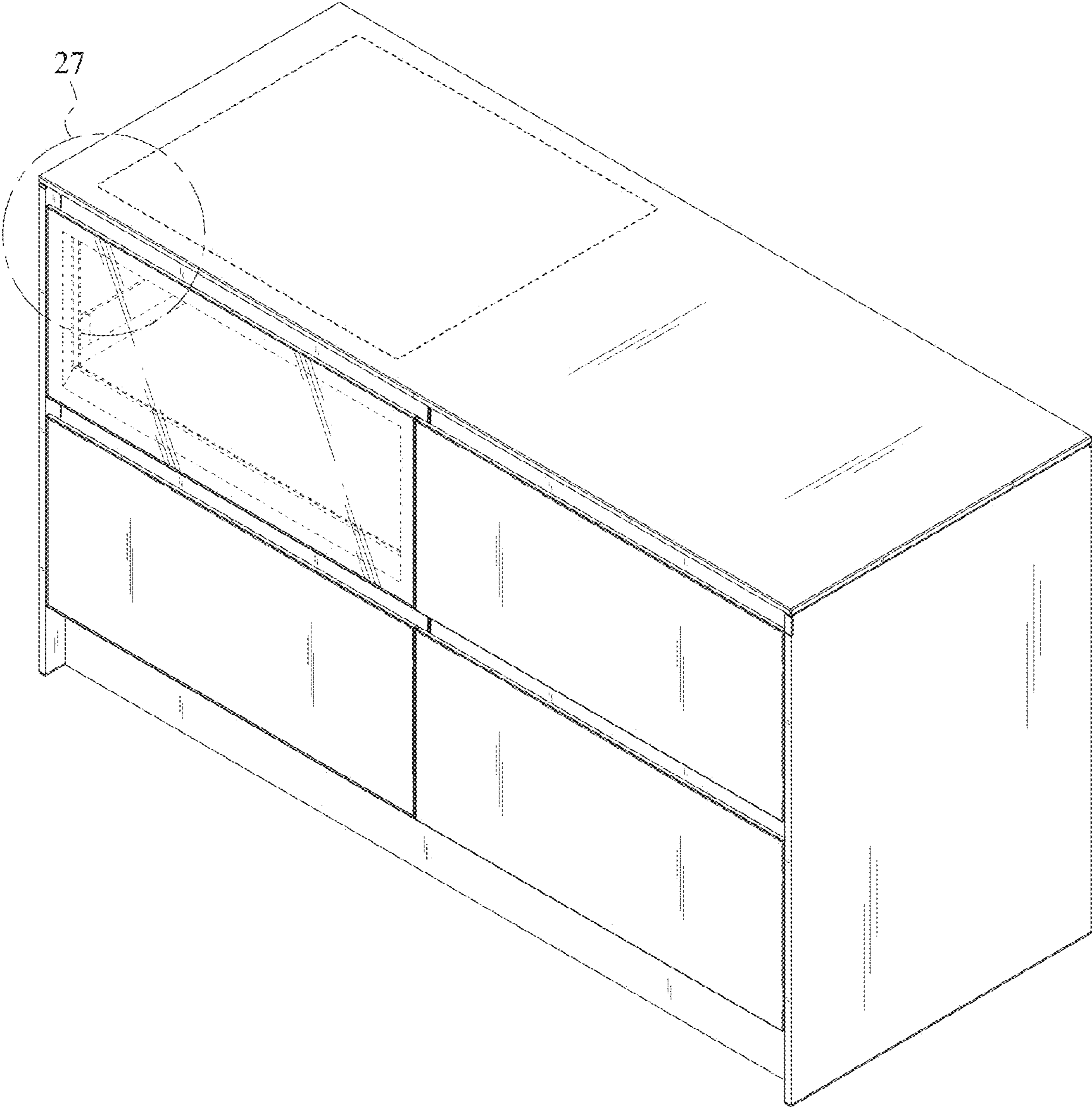


FIG. 20

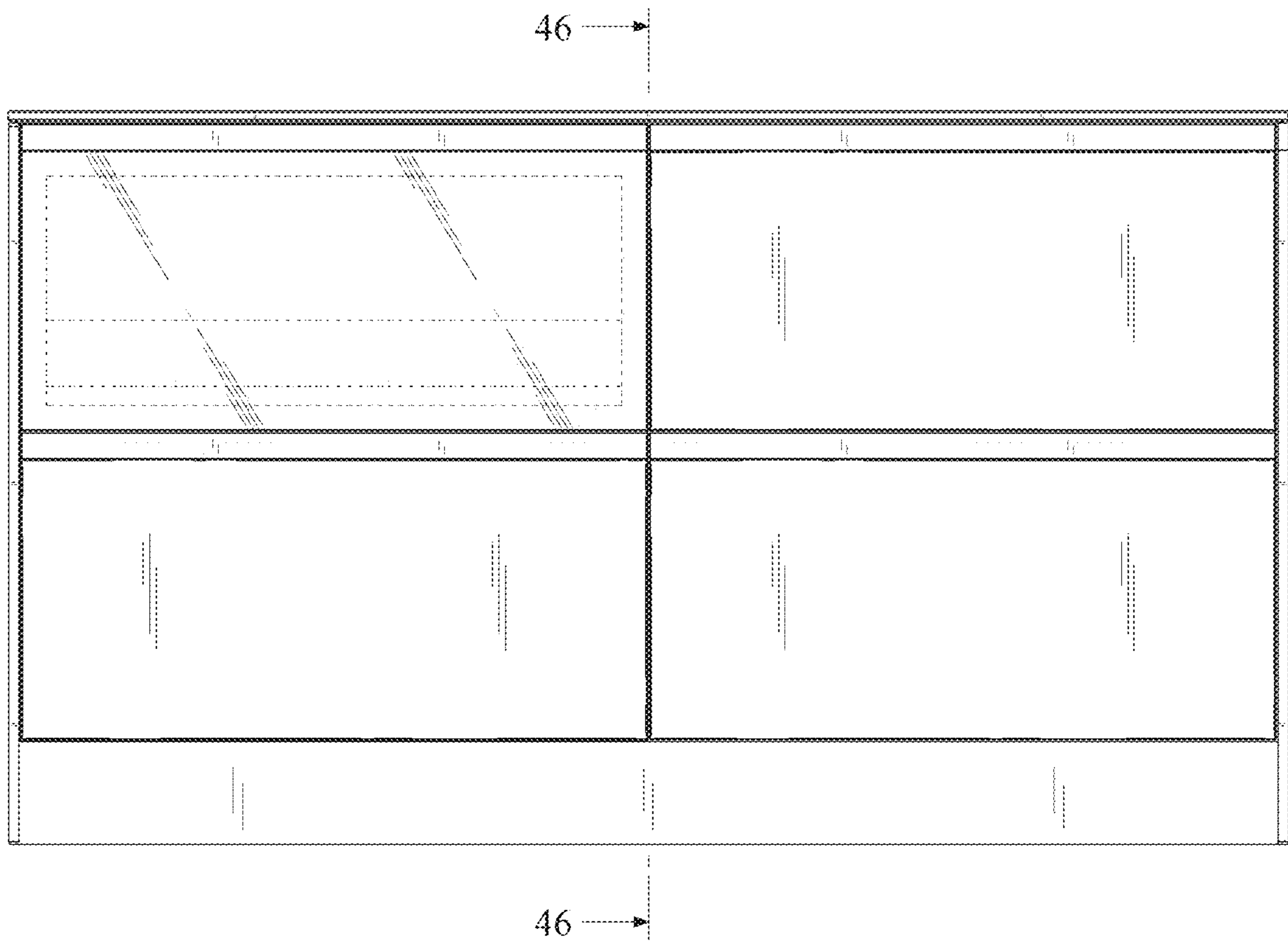


FIG. 21

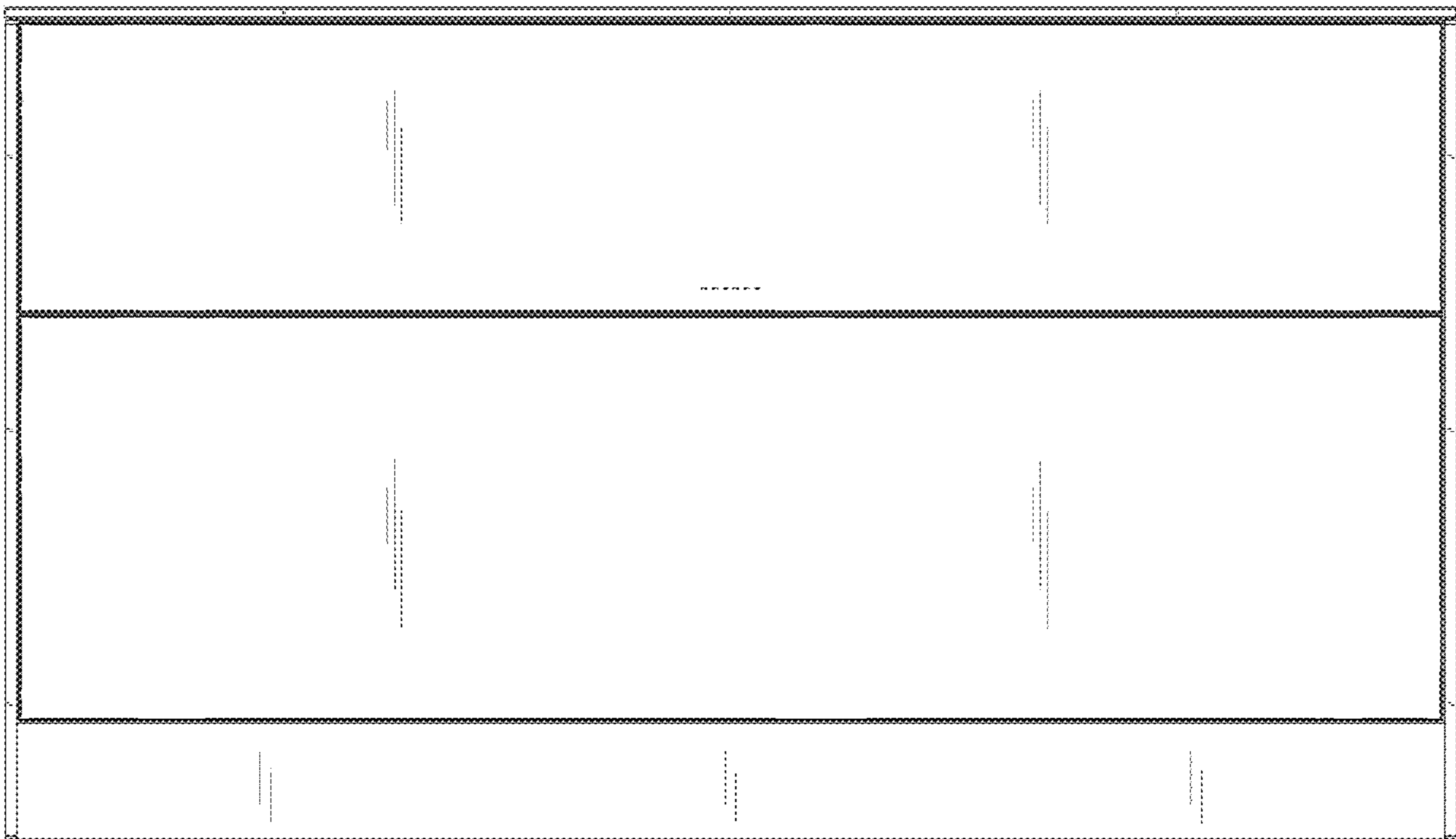


FIG. 22

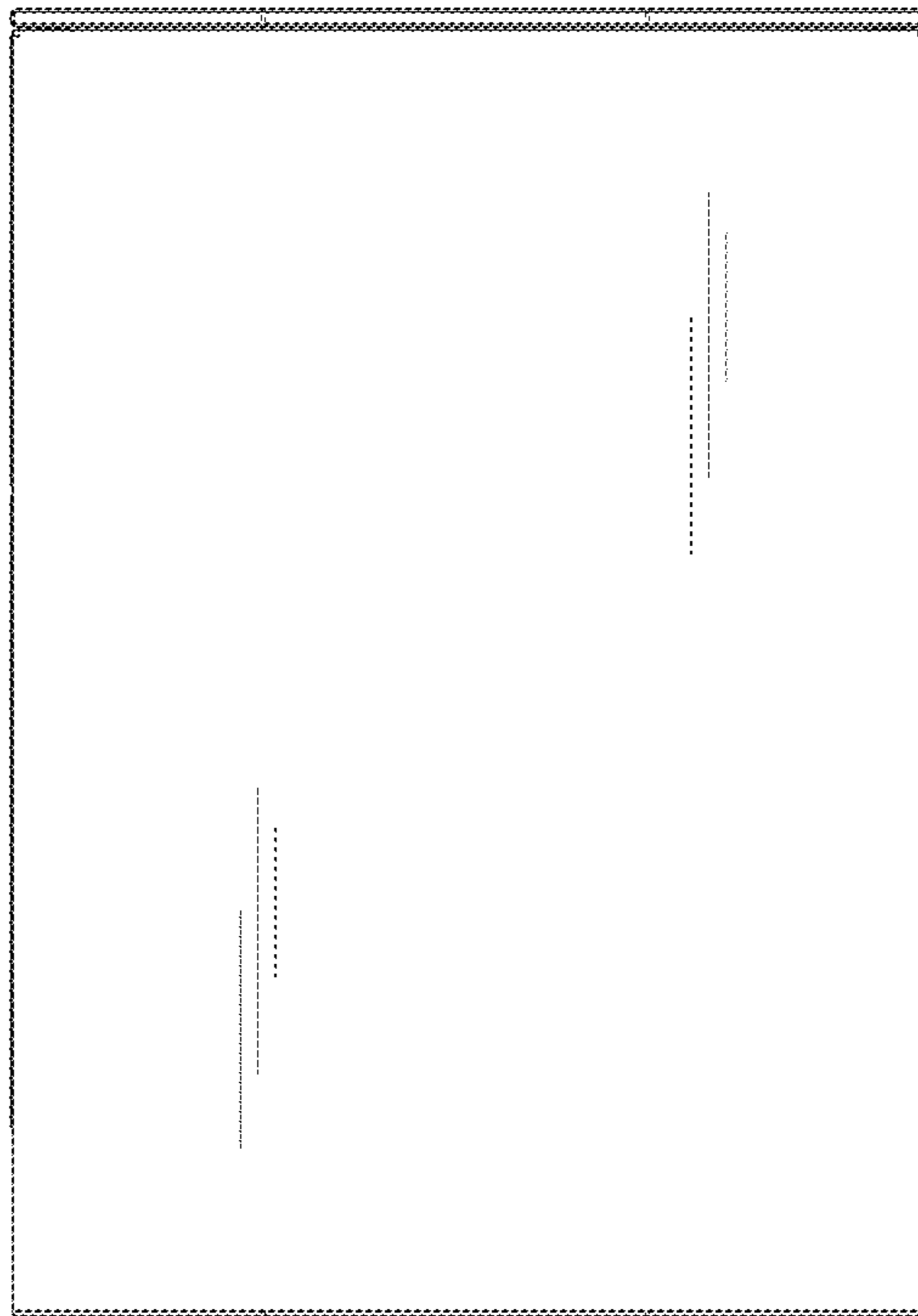


FIG. 23



FIG. 24

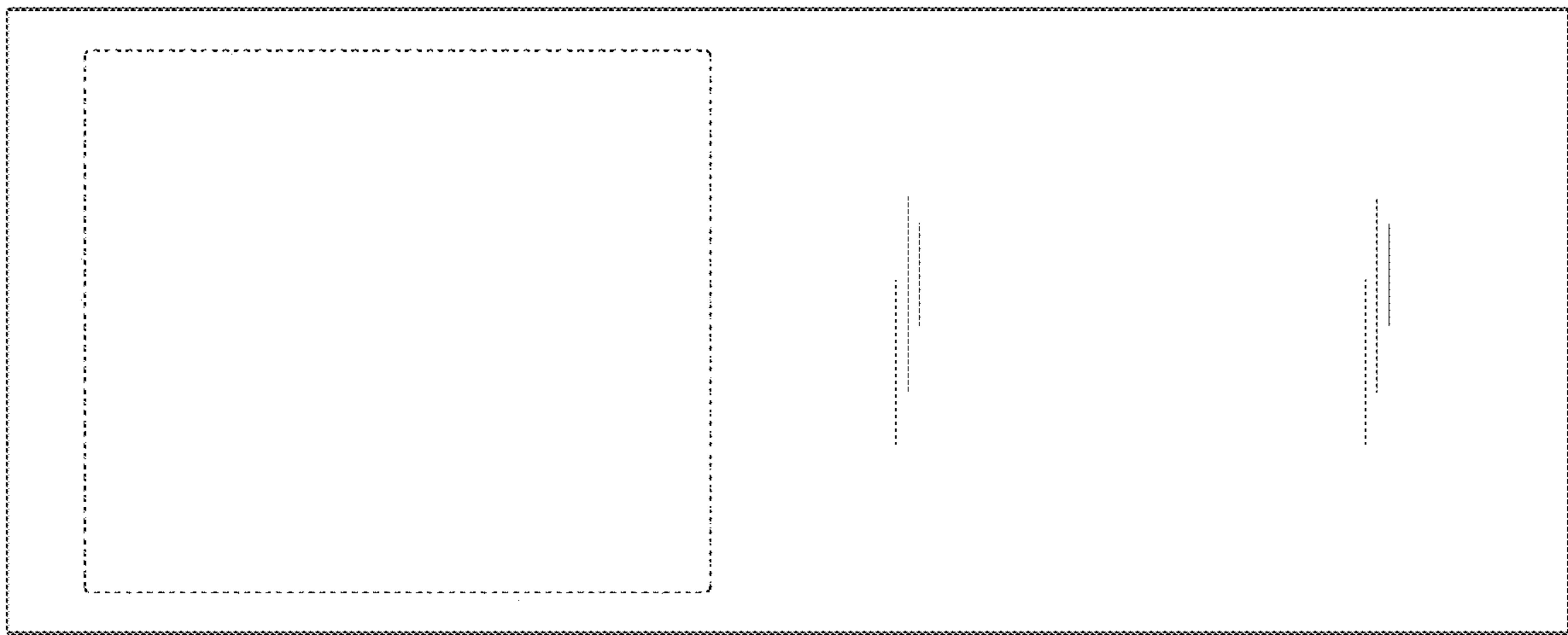


FIG. 25

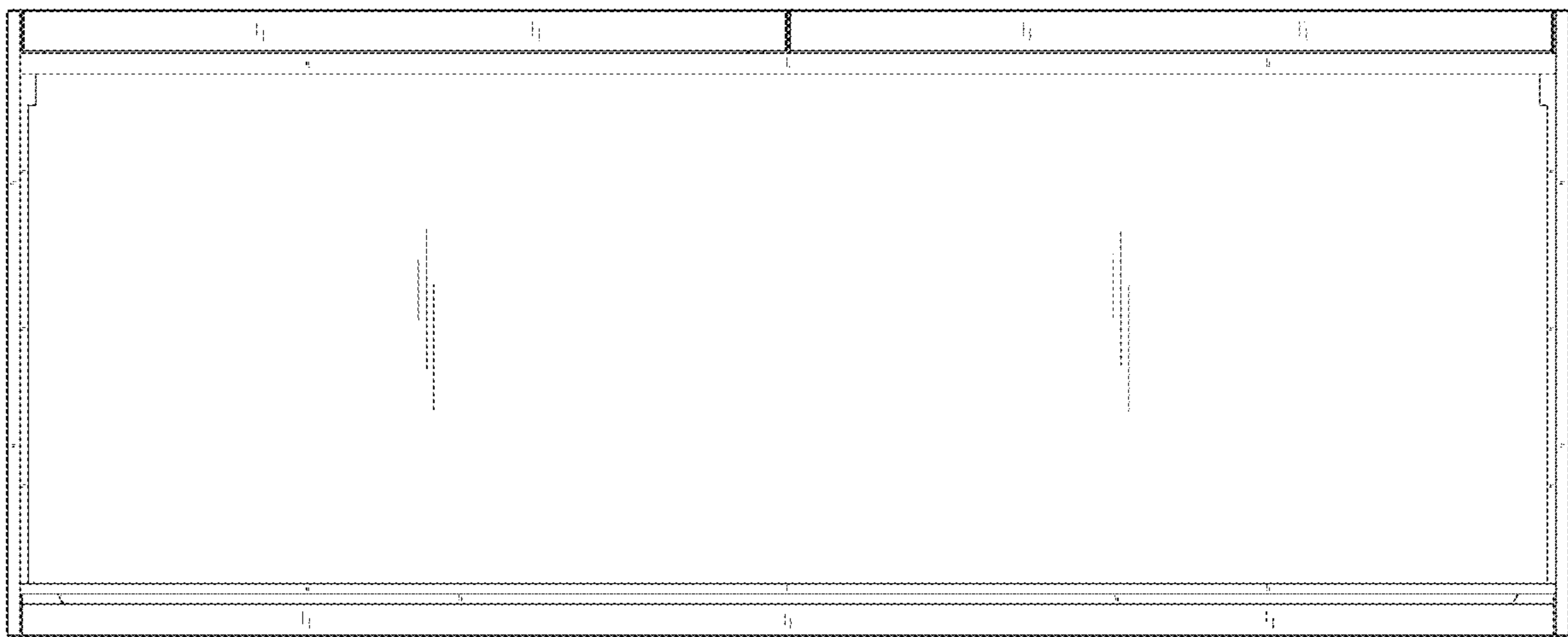


FIG. 26

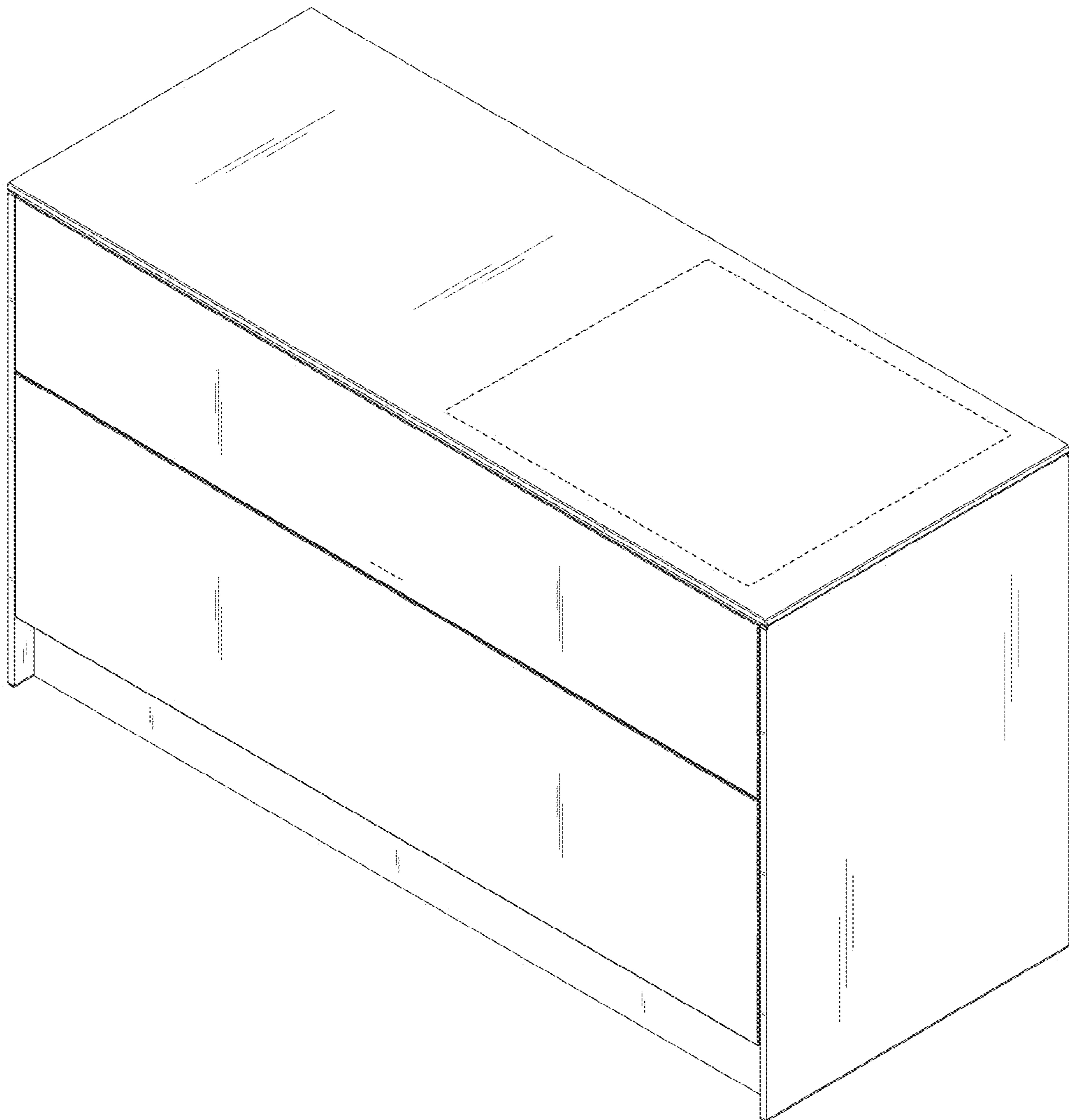


FIG. 27

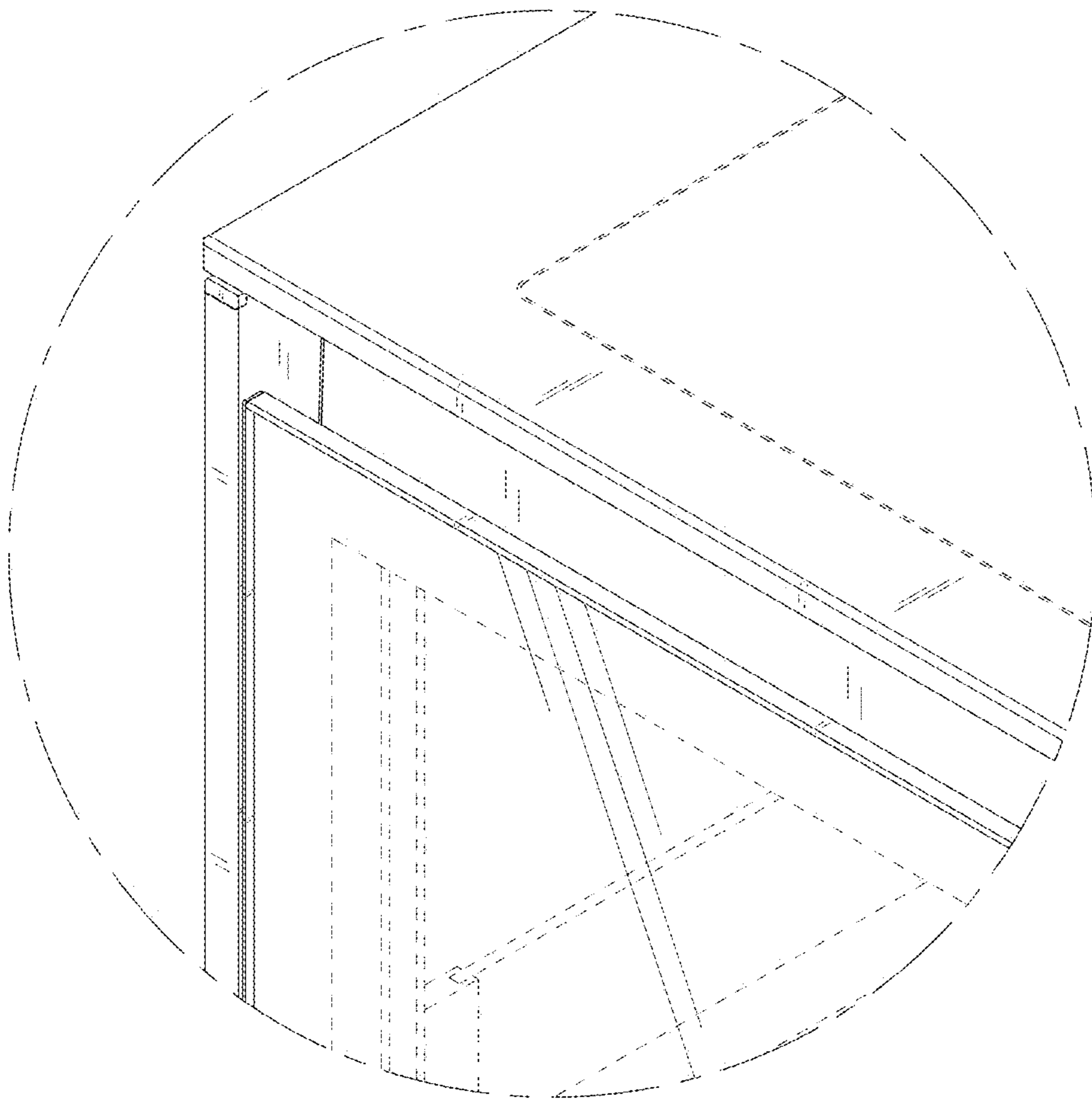


FIG. 28

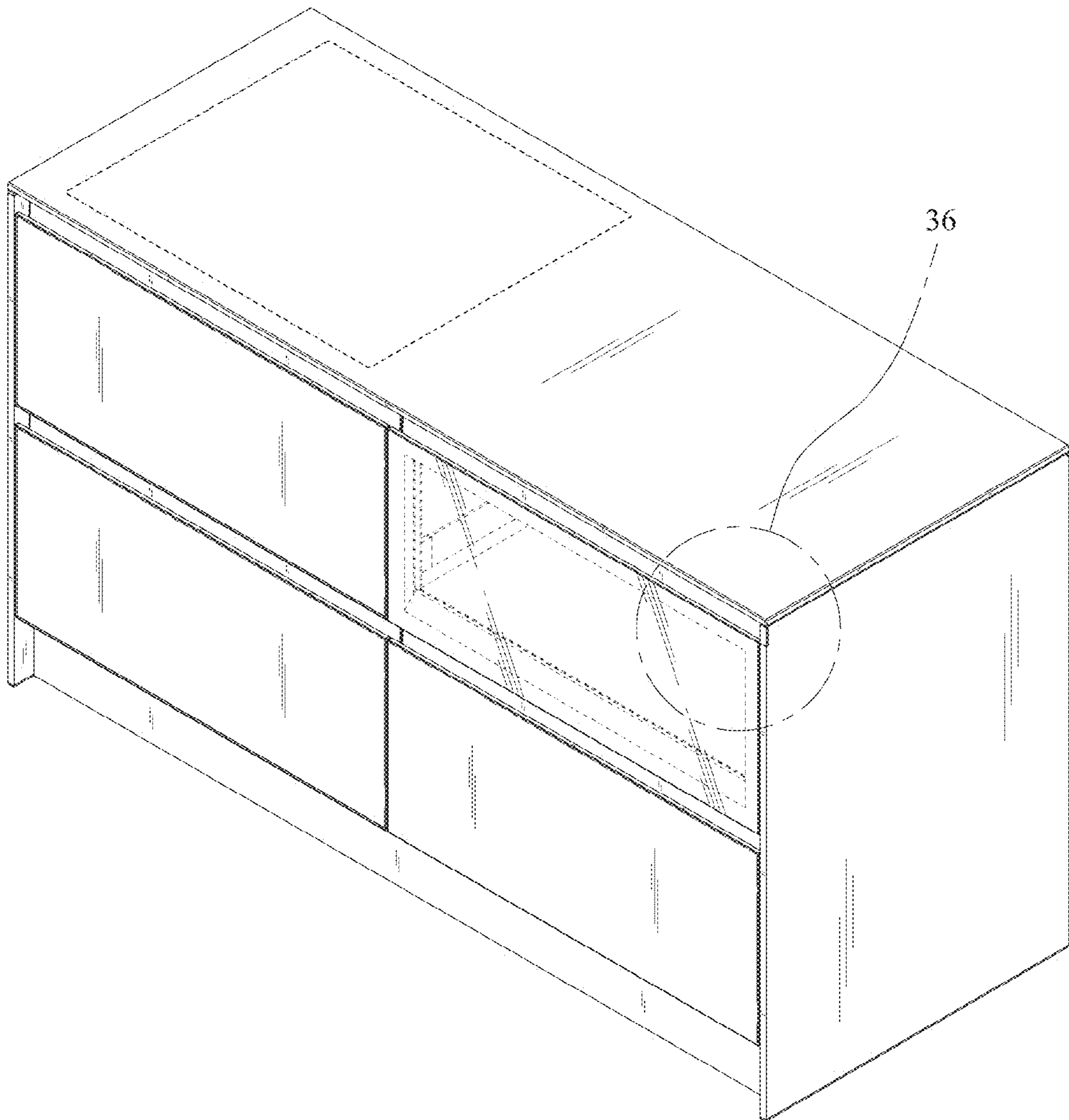


FIG. 29

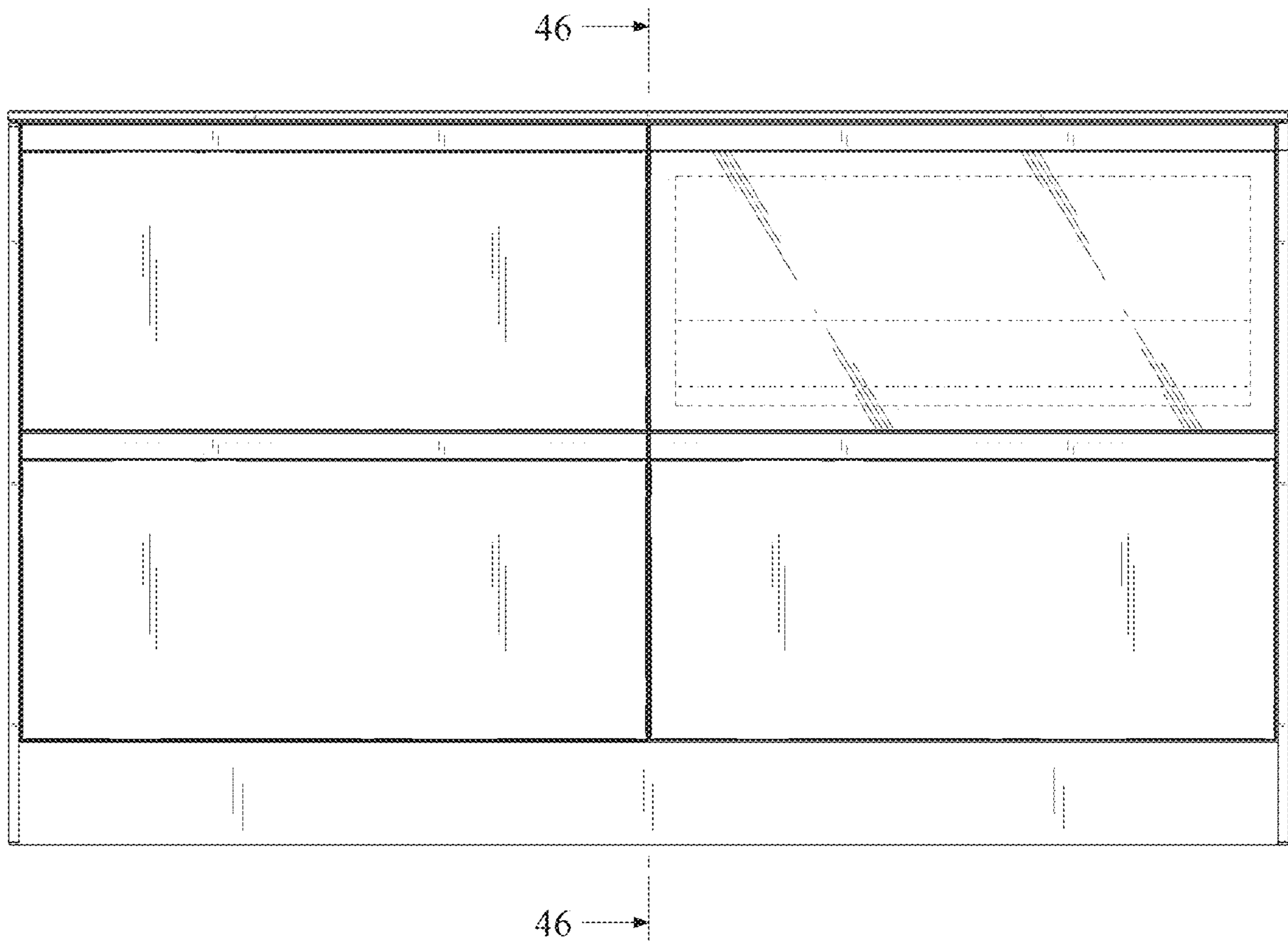


FIG. 30



FIG. 31



FIG. 32

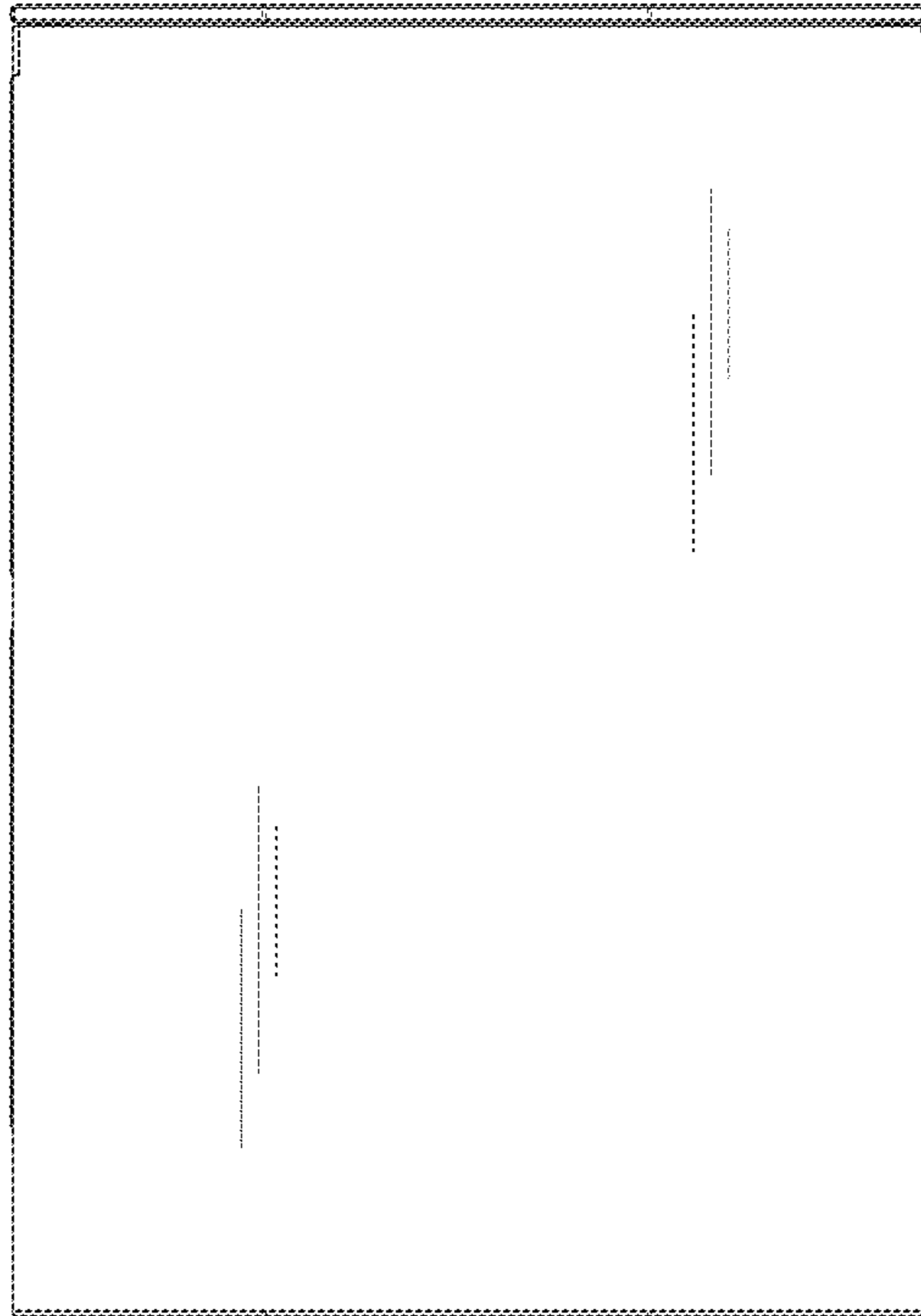


FIG. 33

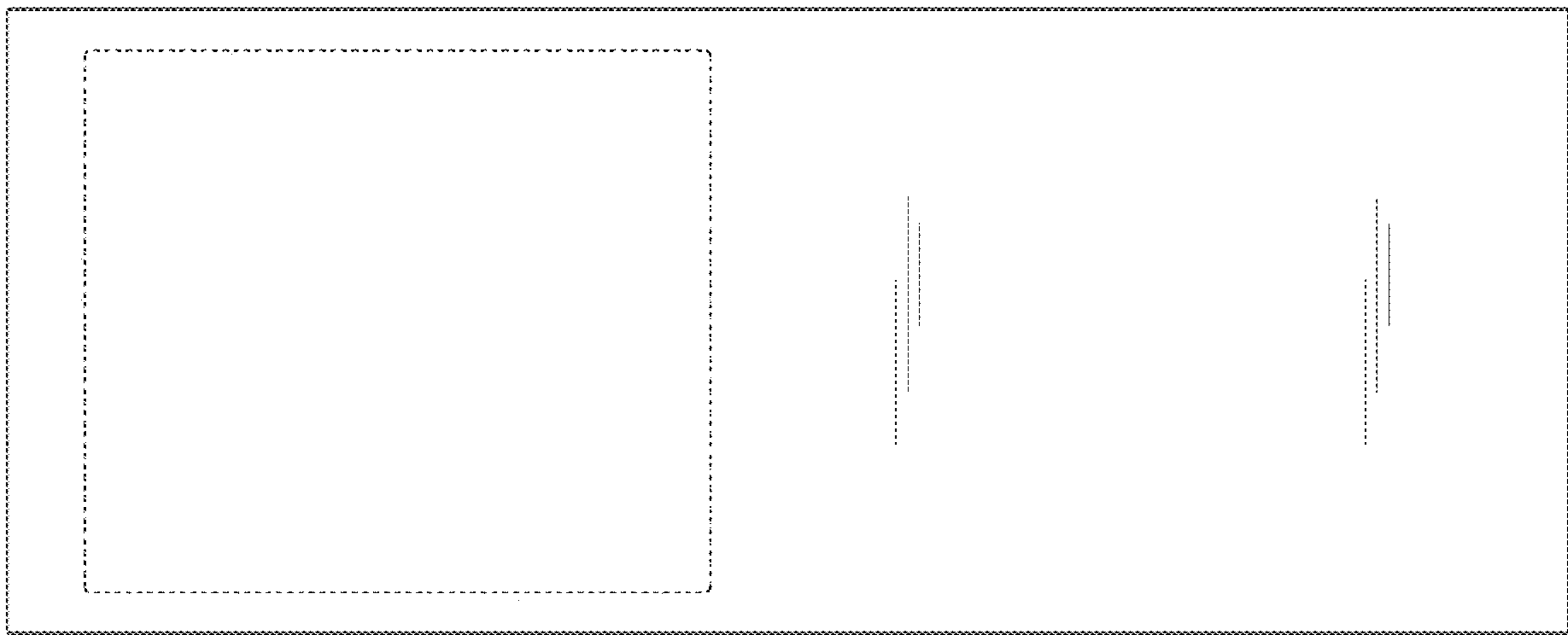


FIG. 34

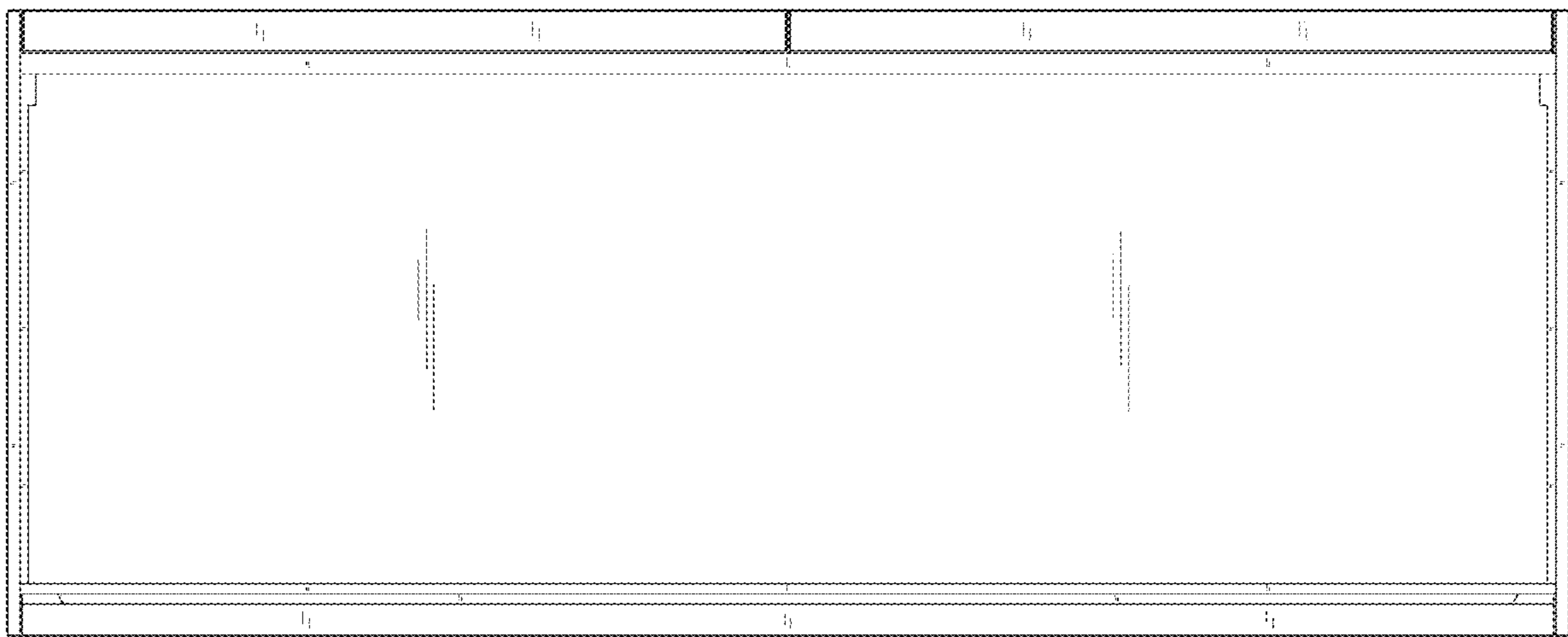


FIG. 35

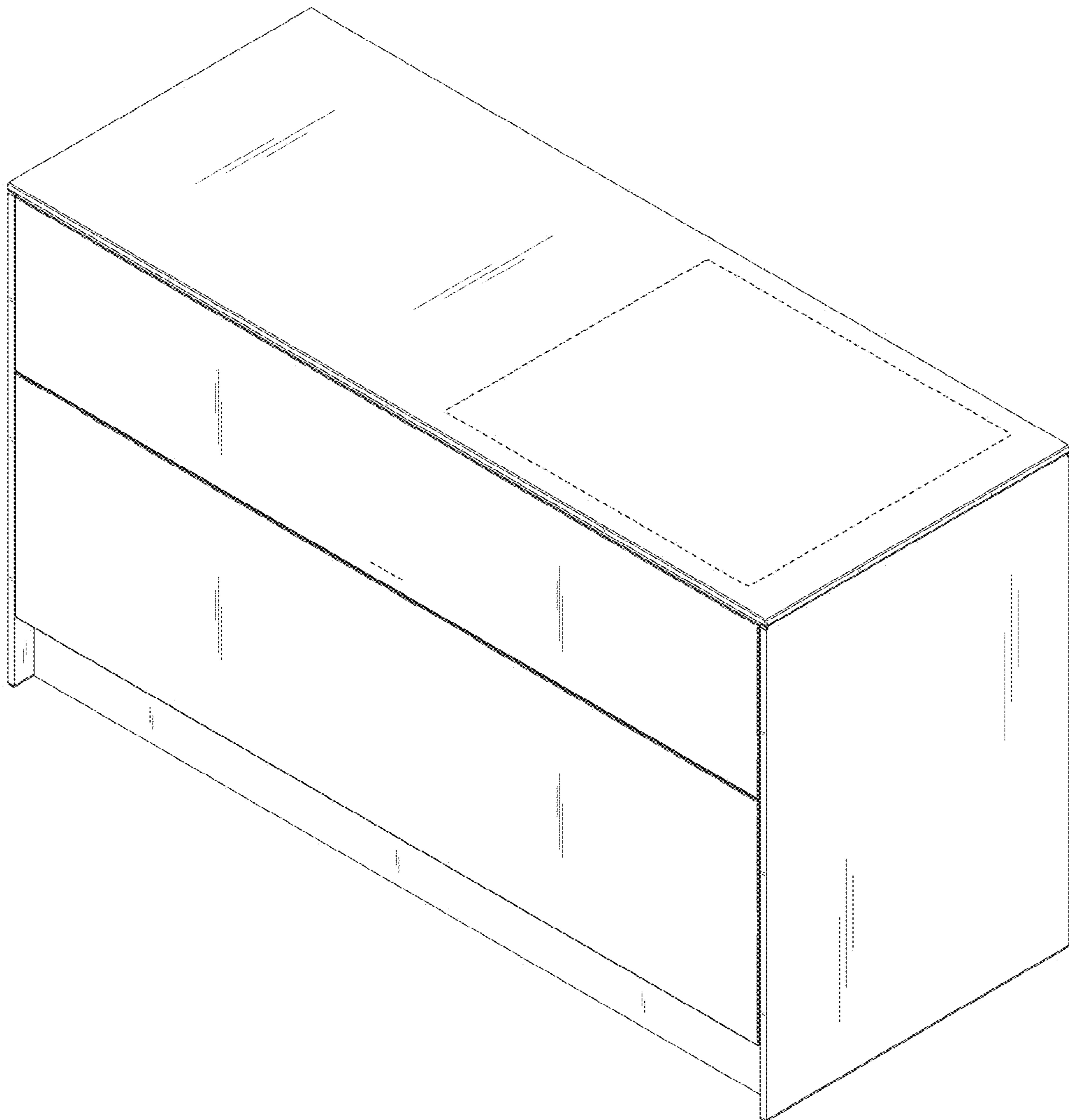


FIG. 36

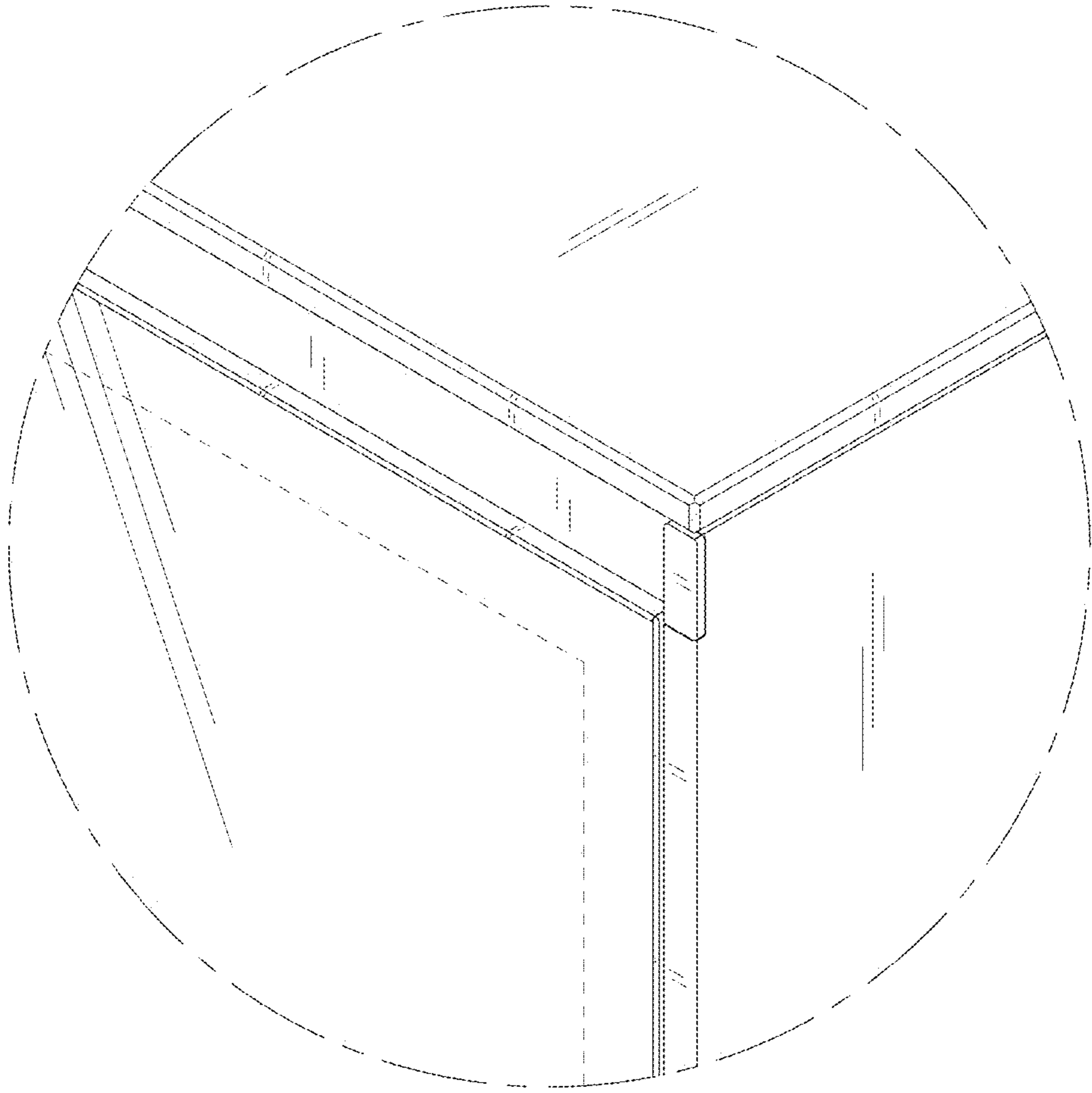


FIG. 37

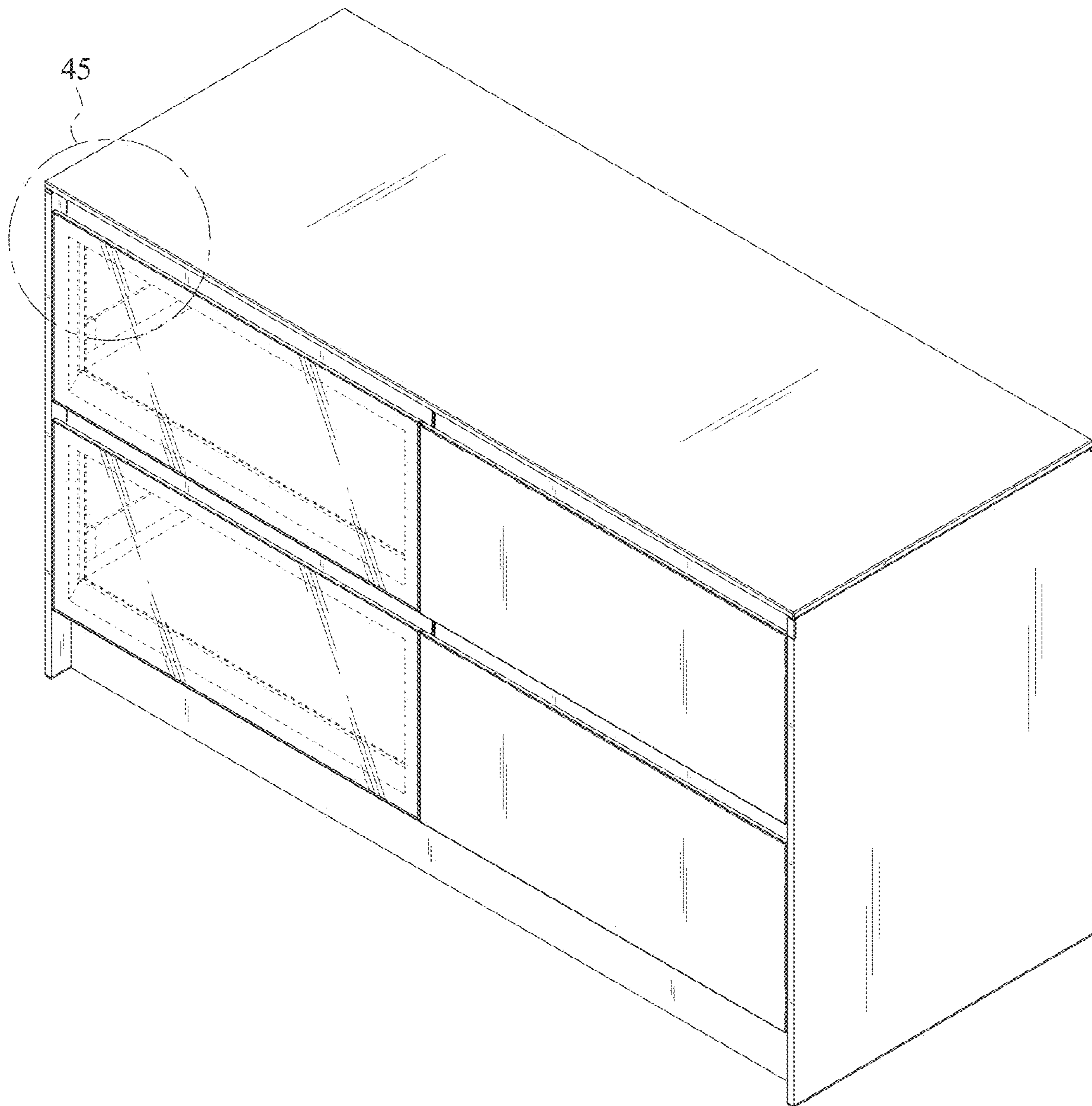


FIG. 38

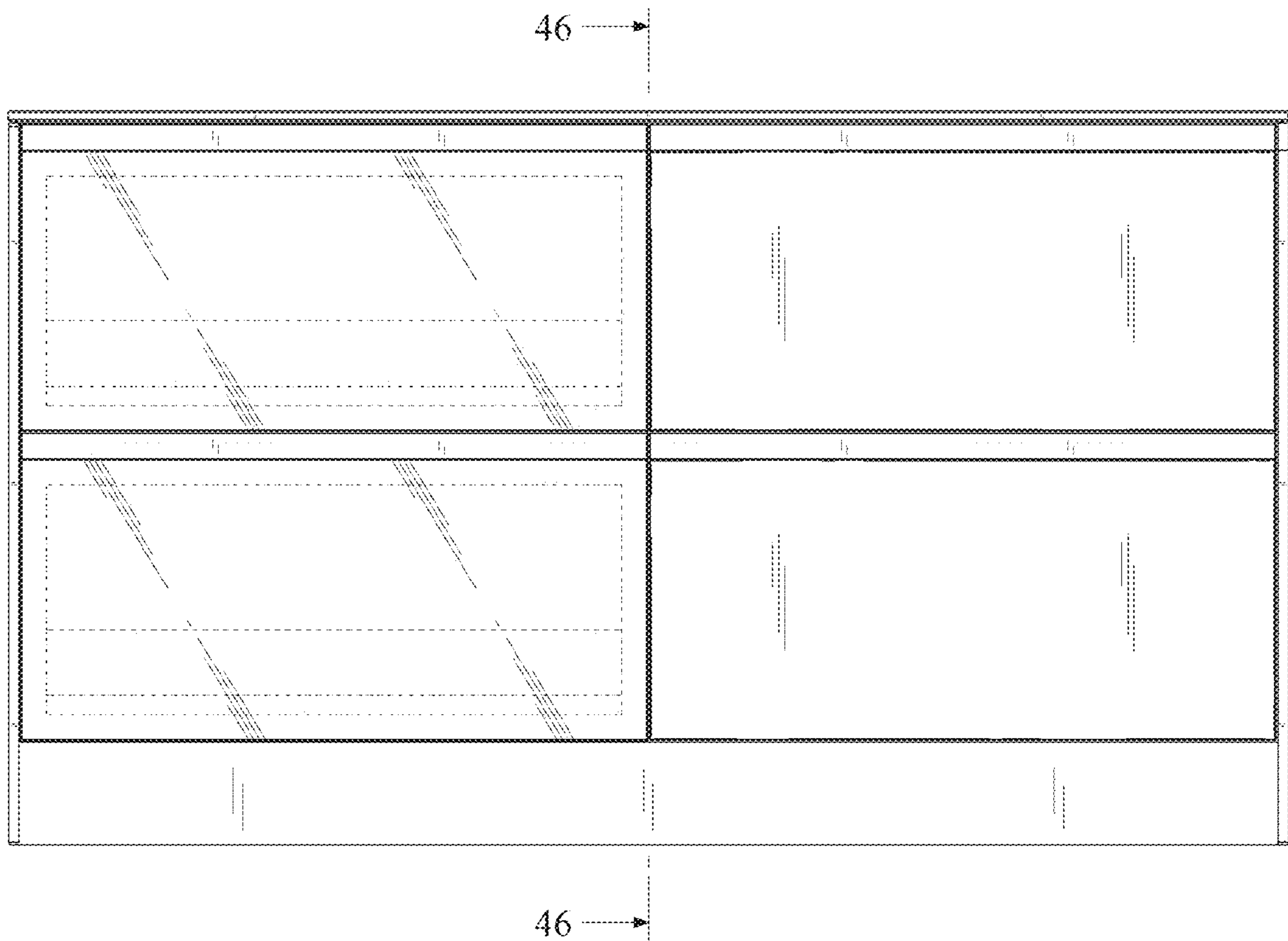


FIG. 39

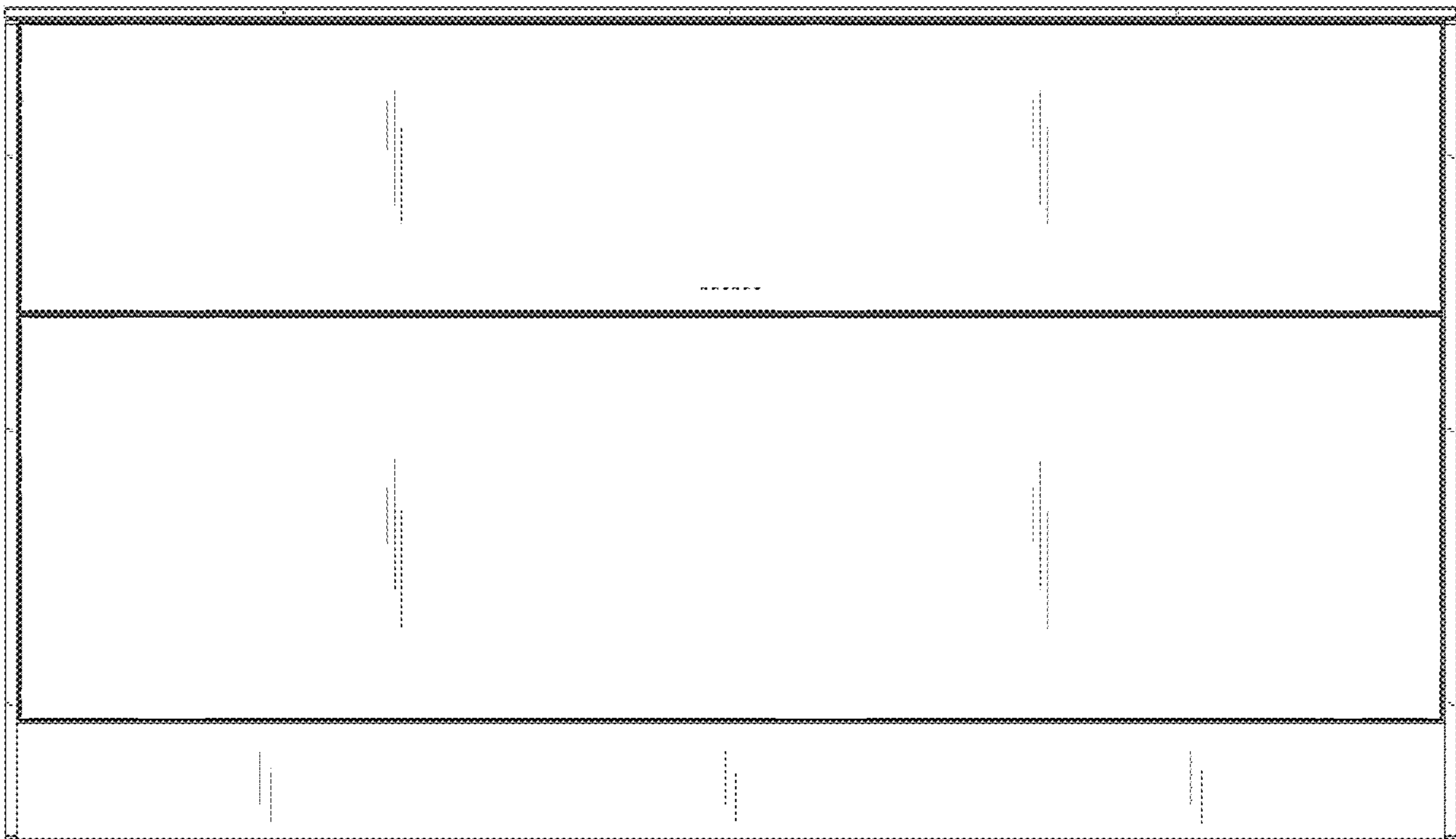


FIG. 40

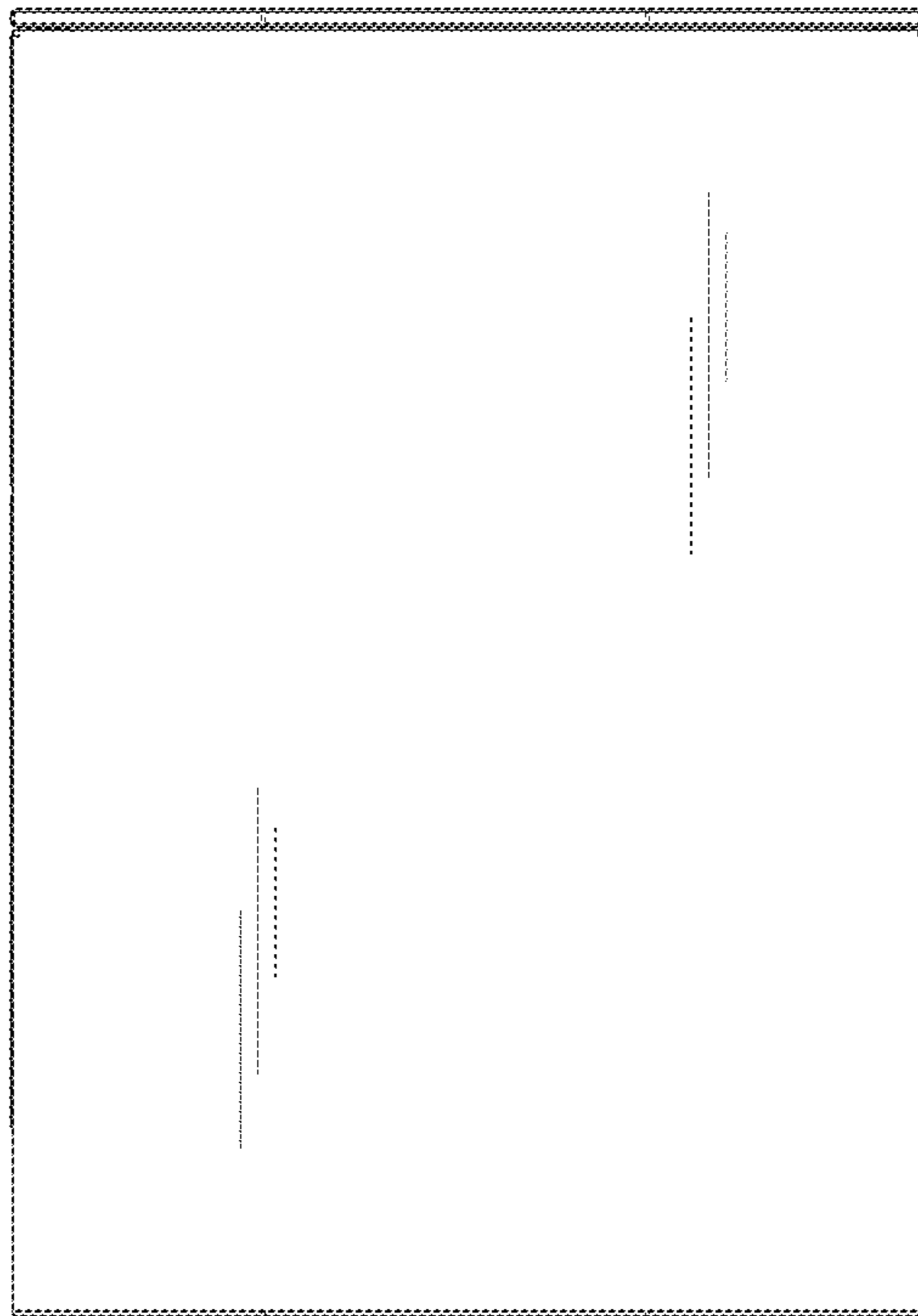


FIG. 41

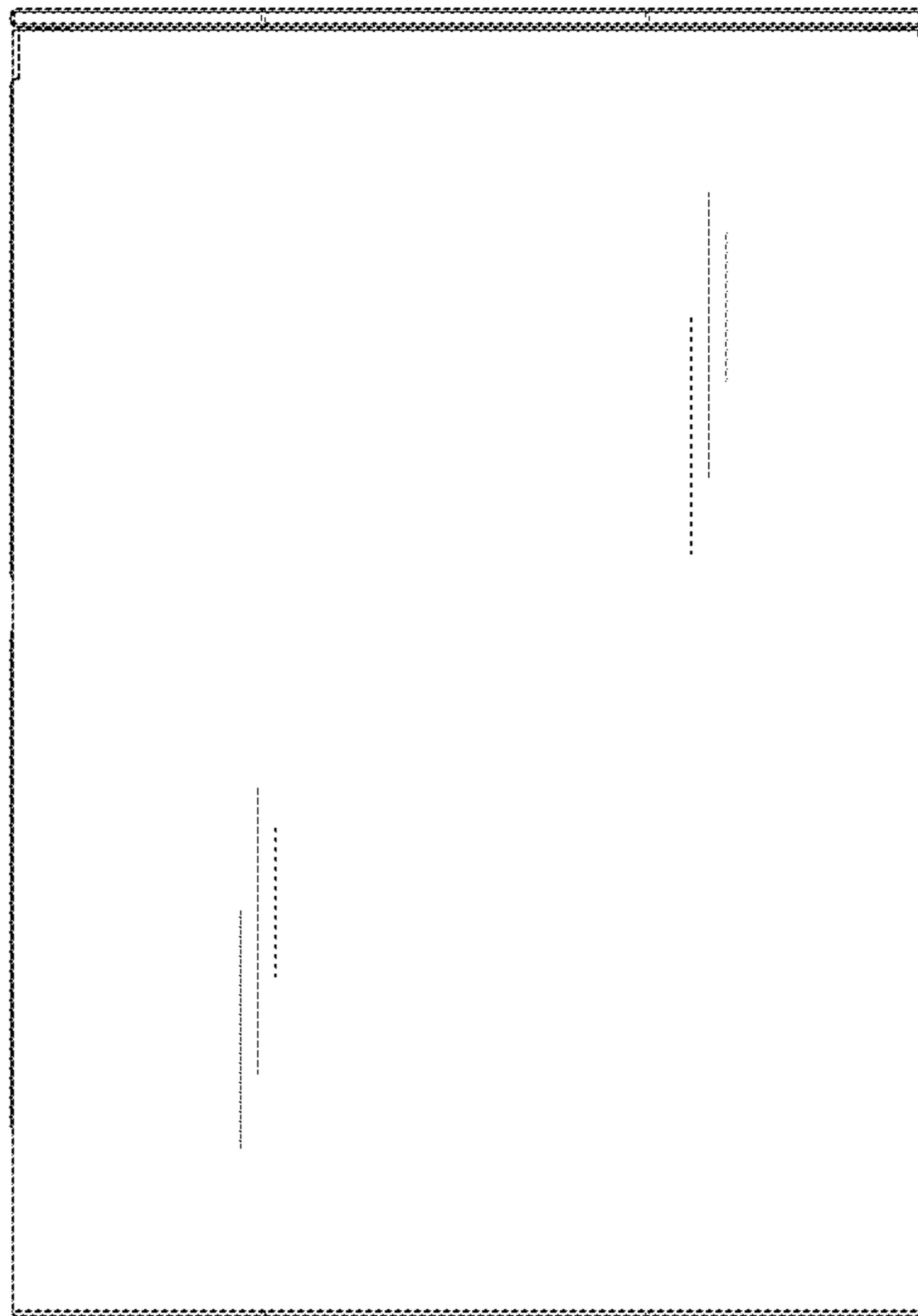


FIG. 42



FIG. 43

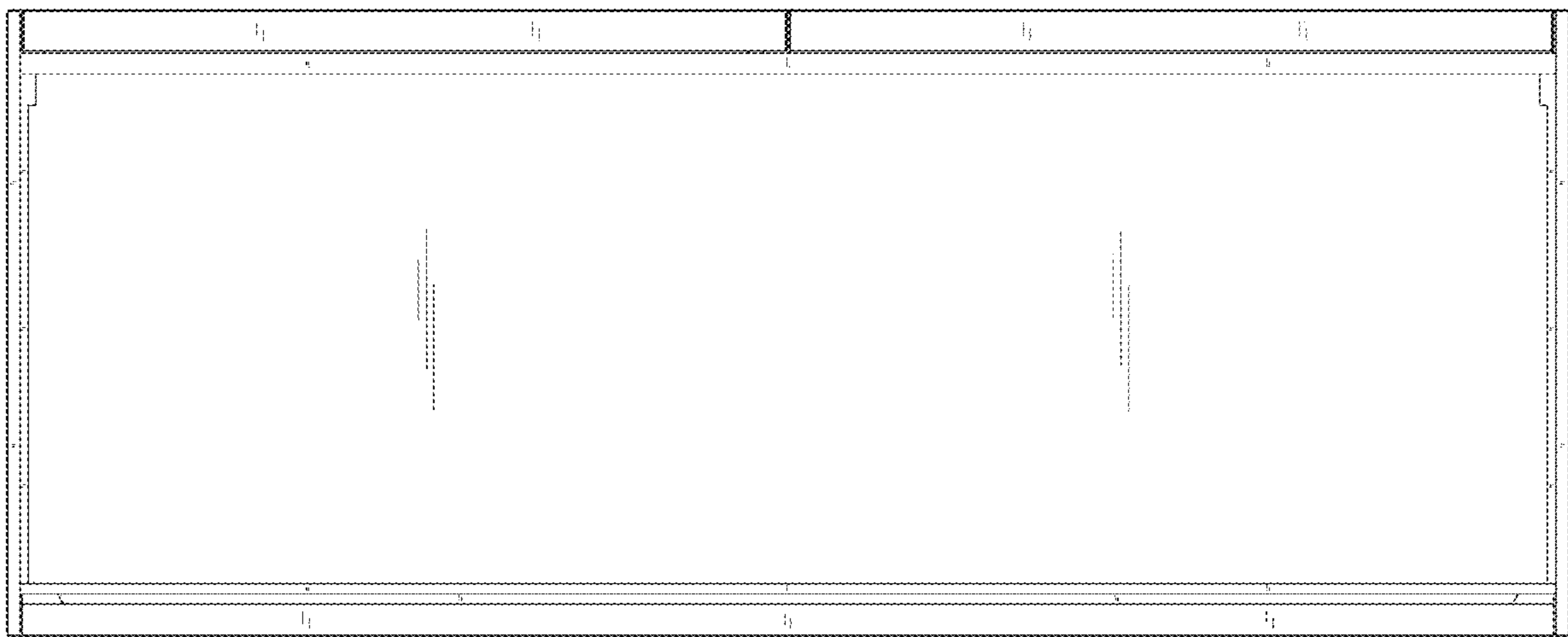


FIG. 44

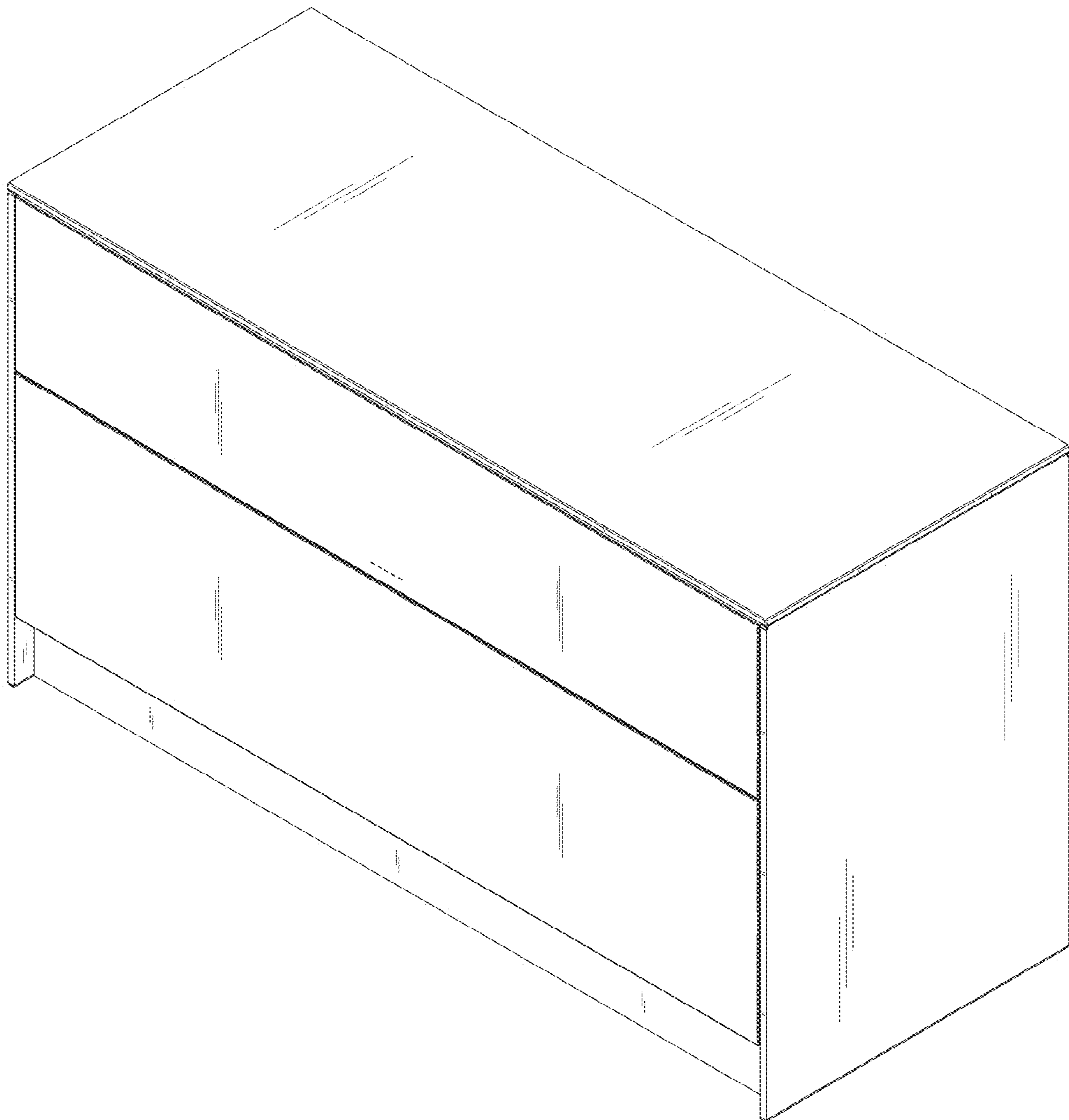


FIG. 45

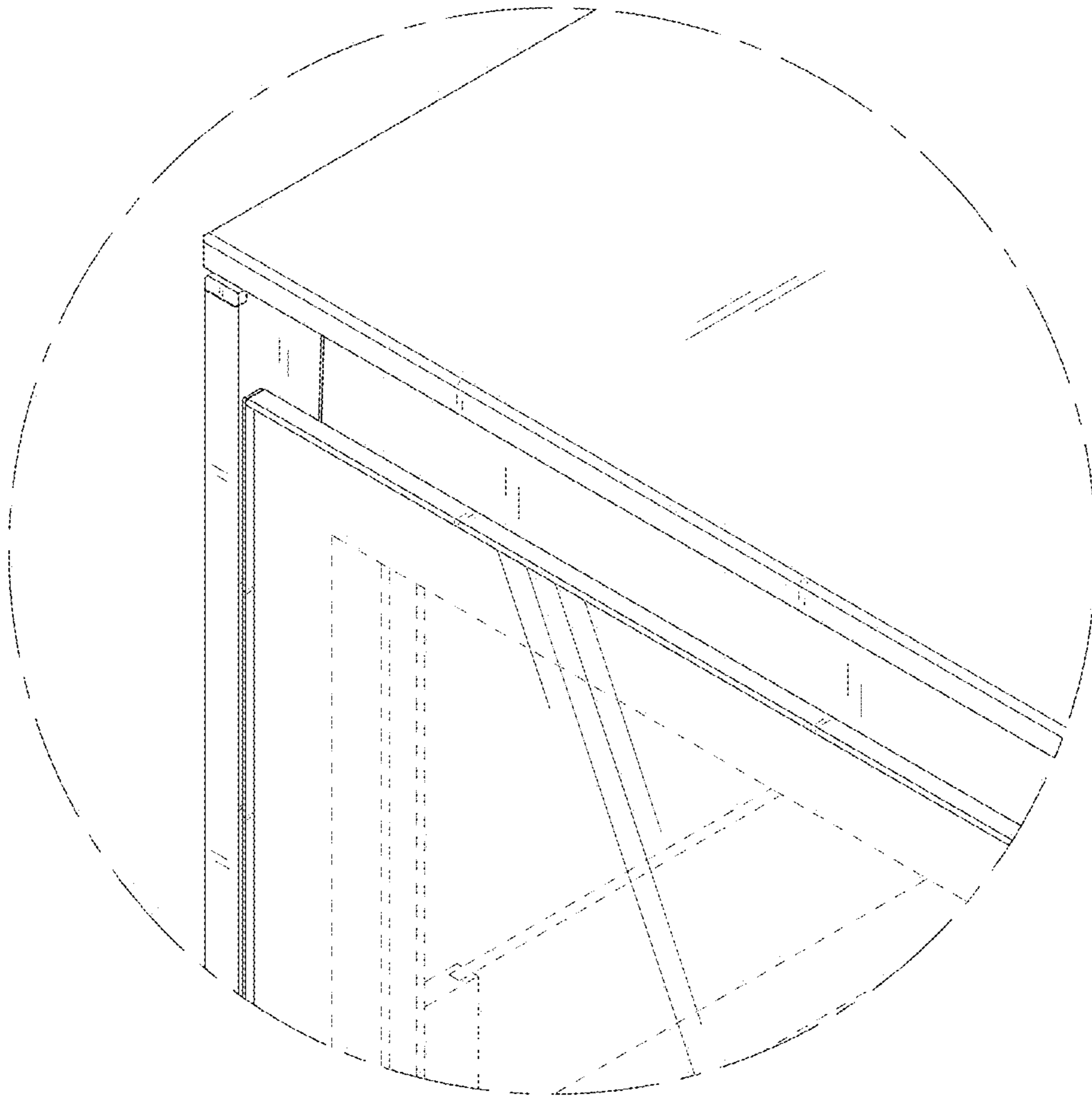


FIG. 46

