



US00D949212S

(12) **United States Design Patent**
Kawaguchi

(10) **Patent No.:** **US D949,212 S**
(45) **Date of Patent:** **** Apr. 19, 2022**

(54) **SEWING MACHINE**

(71) Applicant: **JANOME SEWING MACHINE Co., Ltd.**, Hachioji (JP)

(72) Inventor: **Kiyomi Kawaguchi**, Hachioji (JP)

(73) Assignee: **JANOME CORPORATION**, Hachioji (JP)

(**) Term: **15 Years**

(21) Appl. No.: **29/707,449**

(22) Filed: **Sep. 27, 2019**

(30) **Foreign Application Priority Data**

Apr. 26, 2019 (JP) 2019-009527

(51) **LOC (13) Cl.** **15-06**

(52) **U.S. Cl.**
USPC **D15/69**

(58) **Field of Classification Search**
USPC D3/18, 20, 28; D15/66, 67, 68, 69, 70,
D15/71, 72, 73, 74, 75, 76, 77, 78
CPC D05B 85/00; D05B 85/02; D03D 27/10;
D03D 39/16
See application file for complete search history.

(56) **References Cited**

U.S. PATENT DOCUMENTS

D307,025 S *	4/1990	Kuroki	D15/70
D481,739 S *	11/2003	Iwai	D15/69
D506,212 S *	6/2005	Kuroki	D15/69
D517,571 S *	3/2006	Kuroki	D15/69
D523,449 S *	6/2006	Muto	D15/70
D628,606 S *	12/2010	Kanai	D15/70
8,215,250 B2 *	7/2012	Fukao	D05B 73/12 112/260
8,485,114 B2 *	7/2013	Fukao	D05B 73/12 112/260

D804,540 S *	12/2017	Kanai	D15/69
D837,838 S *	1/2019	Kawaguchi	D15/69
D844,031 S *	3/2019	Izaki	D15/69
D891,486 S *	7/2020	Muto	D15/69
D896,854 S *	9/2020	Kil	D15/69

OTHER PUBLICATIONS

“Quilt Canada—Continental M7 Professional” [online]. Janome HQ Janome Canada. [Published on Jun. 18, 2021]. Retrieved from the Internet: <<https://www.youtube.com/watch?v=wYTTmoqXhEU>>.*
“Bernette b77—Bernette’s Top Dealer!—Top Notch Sew & Vac” [online]. Bernette. [Product first available on Dec. 9, 2020]. Retrieved from the Internet: <<https://www.amazon.com/dp/B08Q739CV7/>>.*
“Bernette 38 Sewing Machine with Quilting Foot Kit—Bernette’s Top Dealer—Top Notch Sew & Vac” [online]. Bernette. [Product first available on Nov. 19, 2021]. Retrieved from the Internet: <<https://www.amazon.com/dp/B09M97CMCH/>>.*

* cited by examiner

Primary Examiner — Mojtaba Tehrani

(74) *Attorney, Agent, or Firm* — McGinn IP Law Group, PLLC

(57) **CLAIM**

The ornamental design for a sewing machine, as shown and described.

DESCRIPTION

FIG. 1 is a front elevational view of a sewing machine showing my new design;
FIG. 2 is a rear elevational view thereof;
FIG. 3 is a left side elevational view thereof;
FIG. 4 is a right side elevational view thereof;
FIG. 5 is a top plan view thereof;
FIG. 6 is a bottom plan view thereof;
FIG. 7 is a front perspective view of a sewing machine showing thereof; and,
FIG. 8 is a front perspective view with the auxiliary floor being removed.

1 Claim, 8 Drawing Sheets

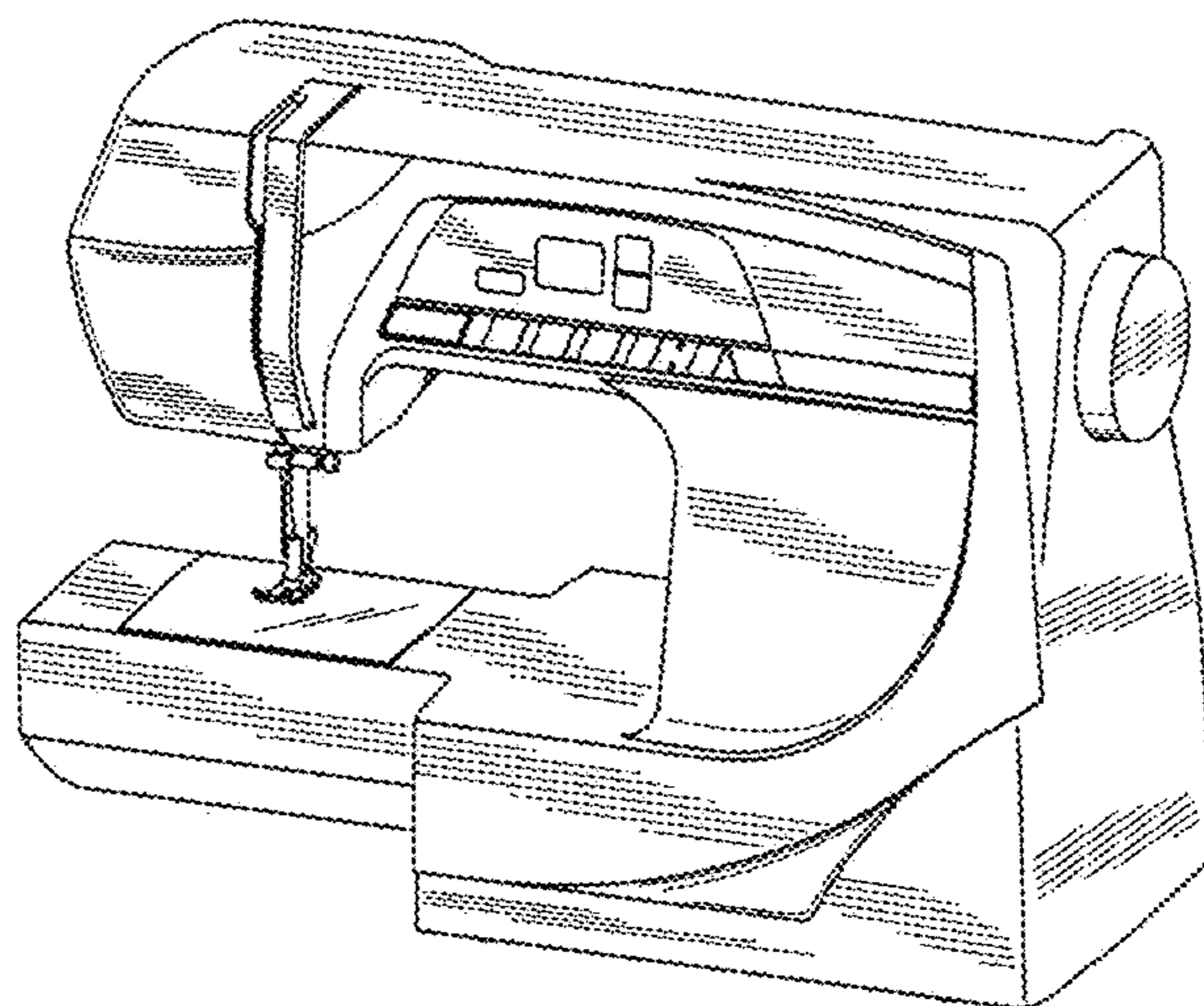
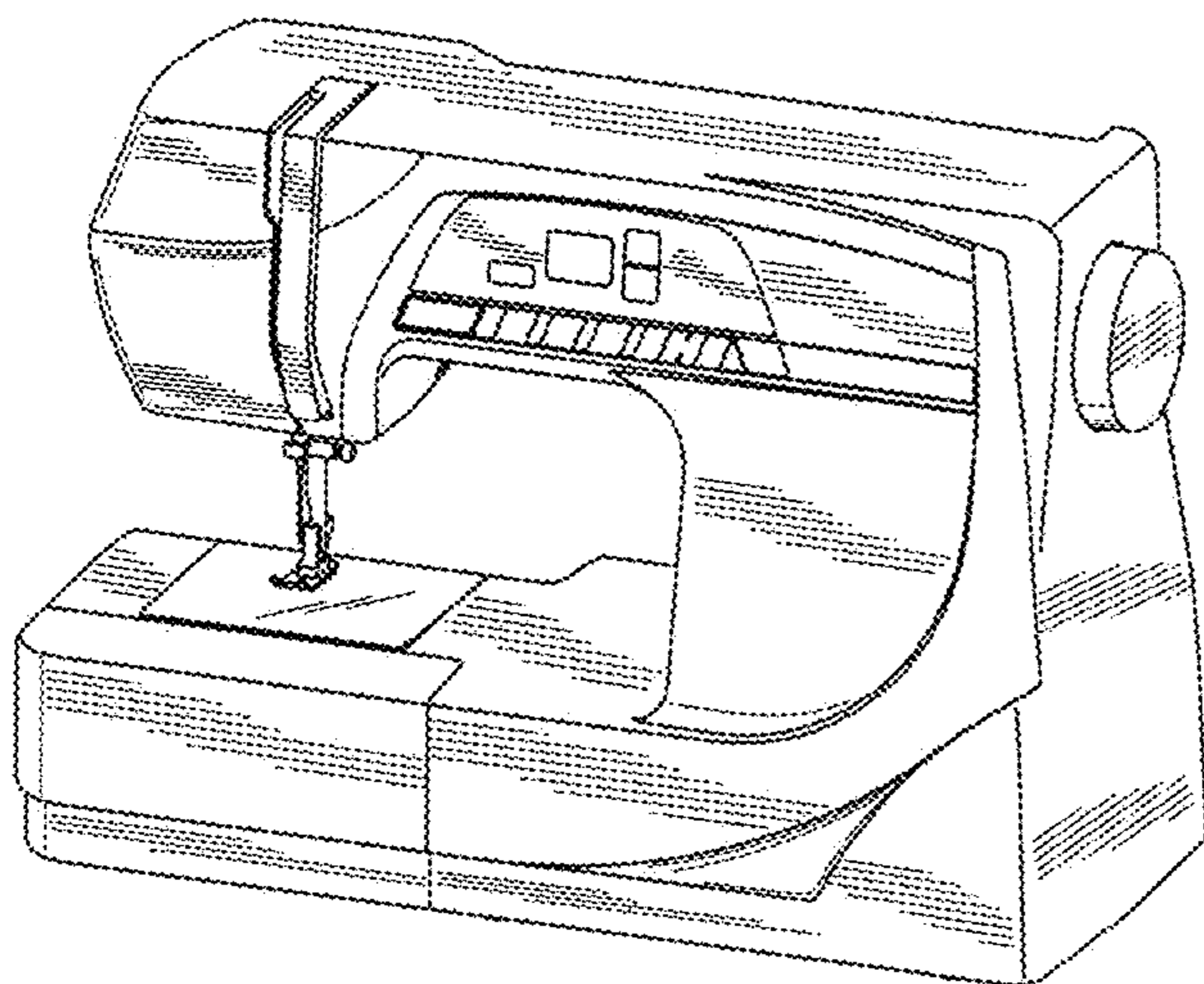
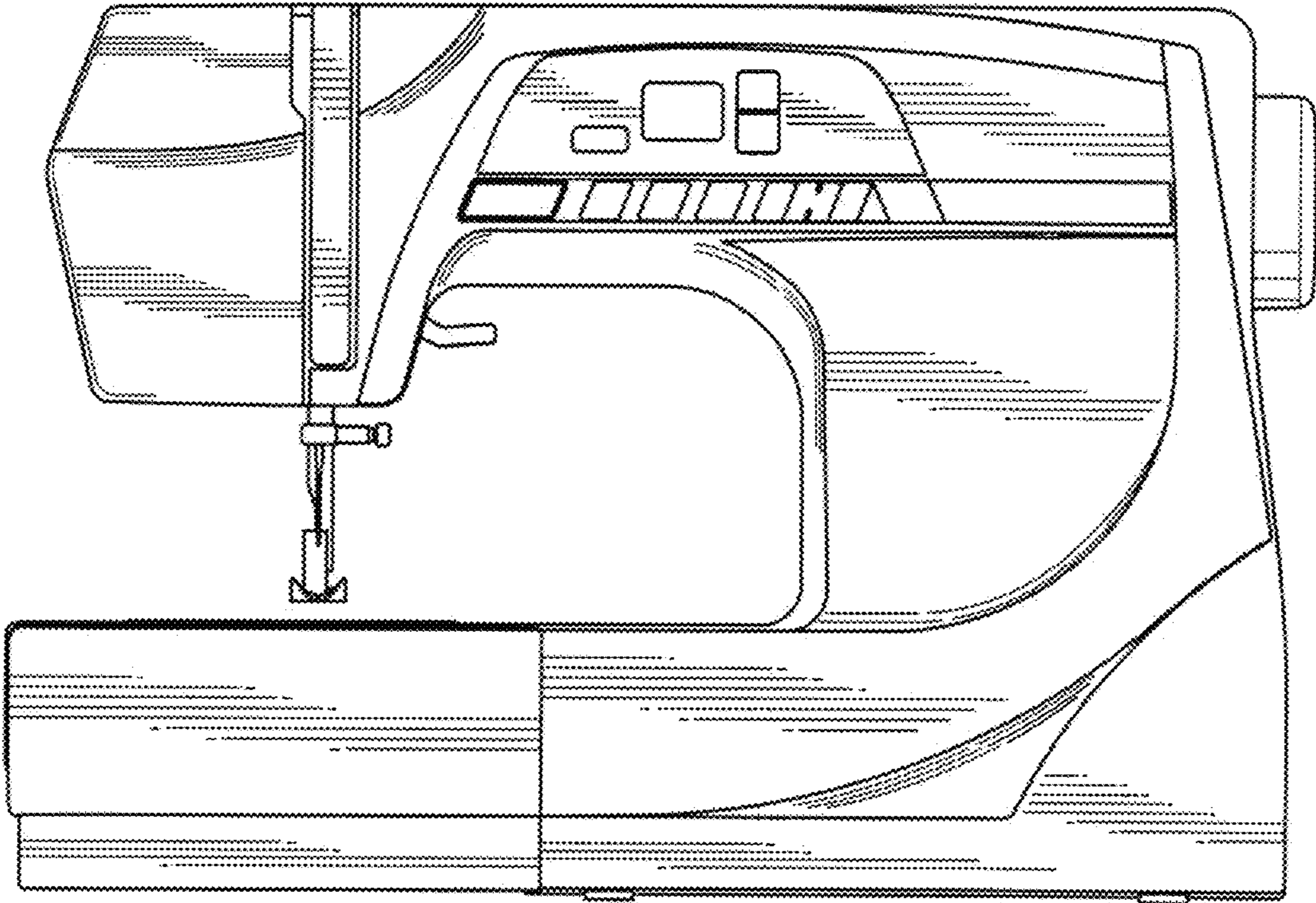


Fig. 1



F i g . 2

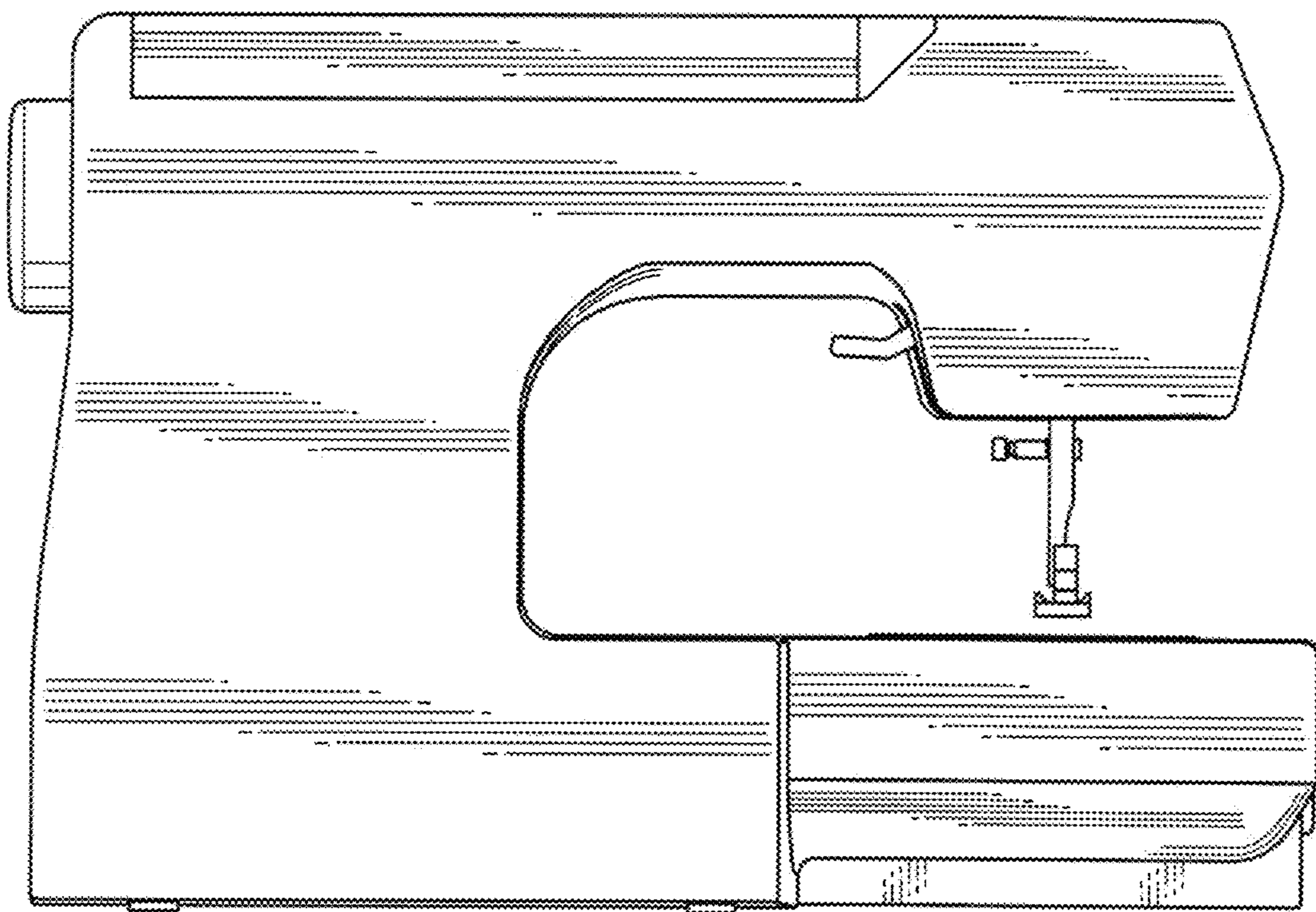


Fig. 3

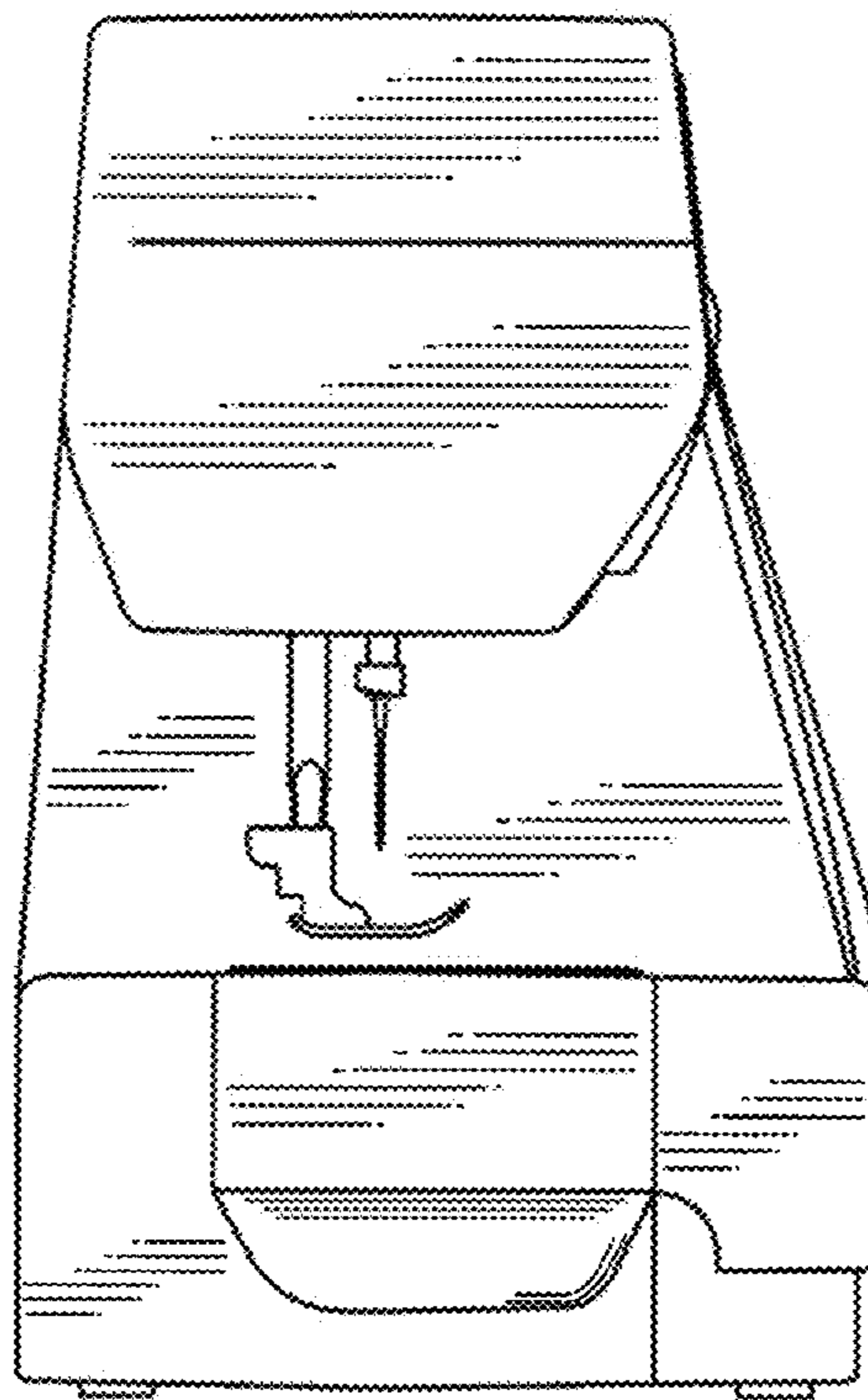
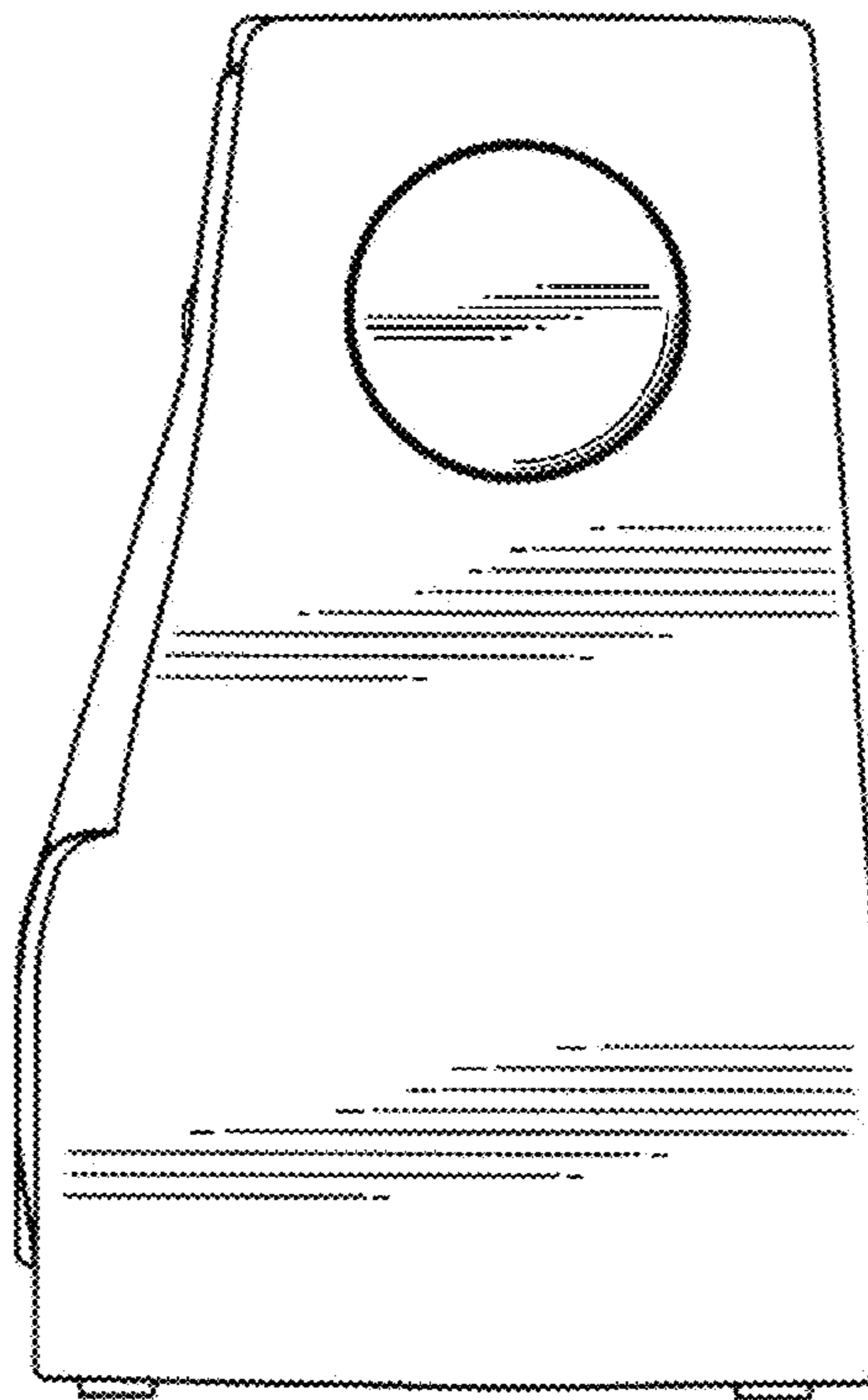


Fig. 4



F i g . 5

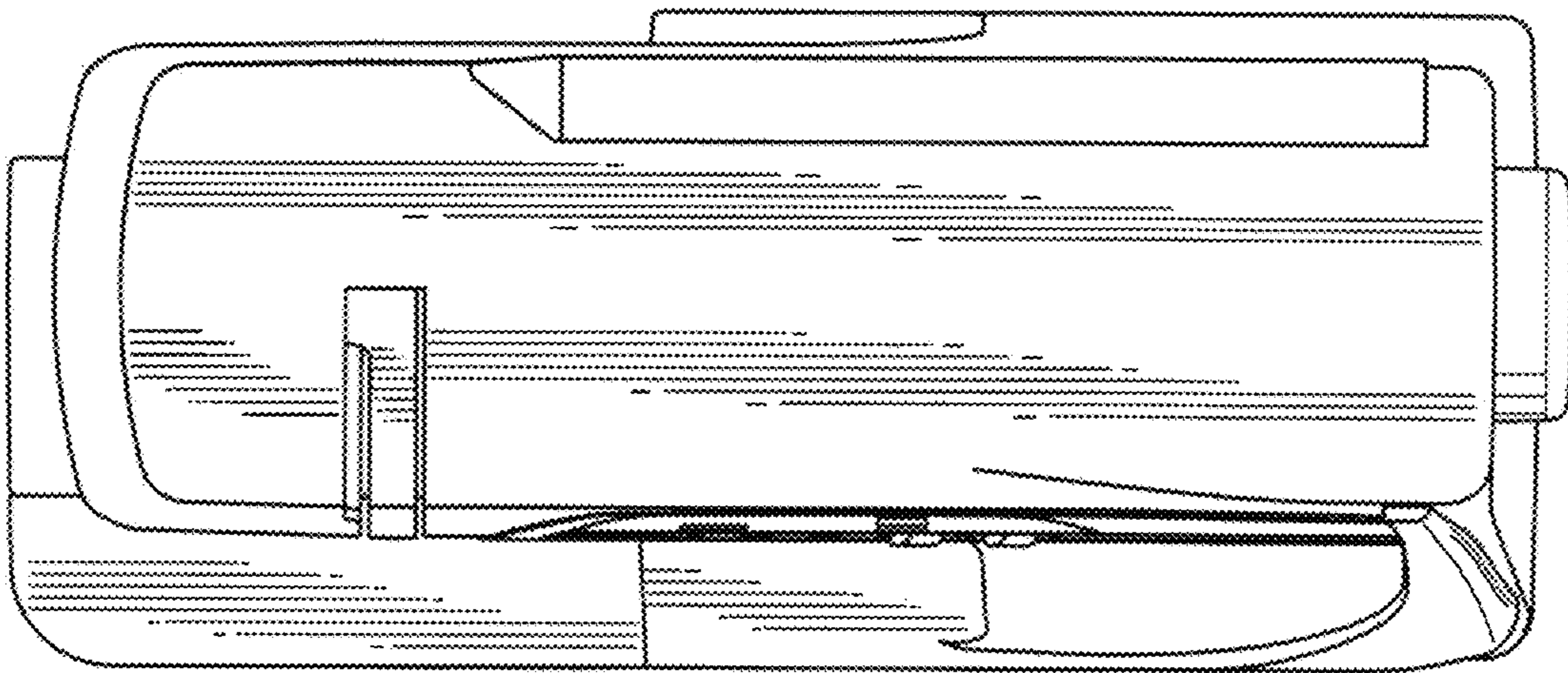


Fig. 6

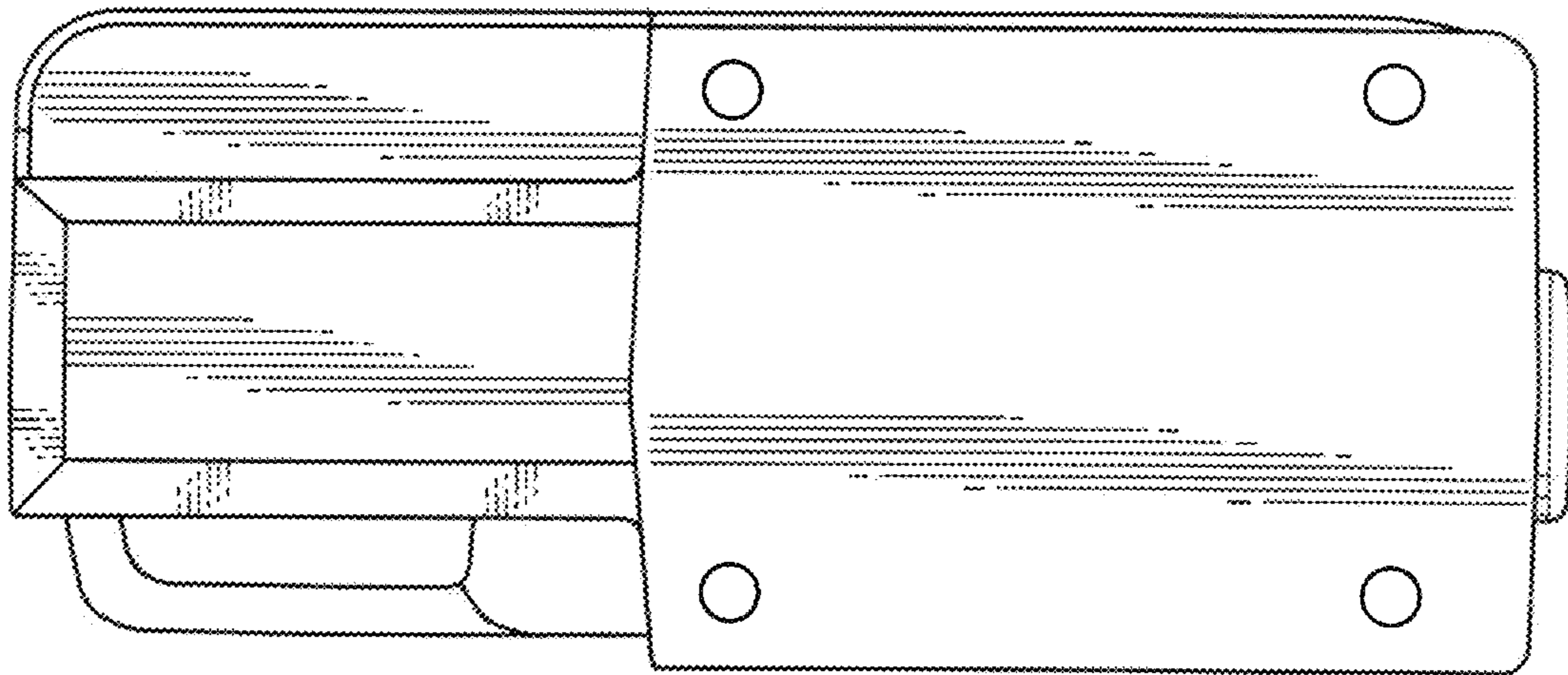


Fig. 7

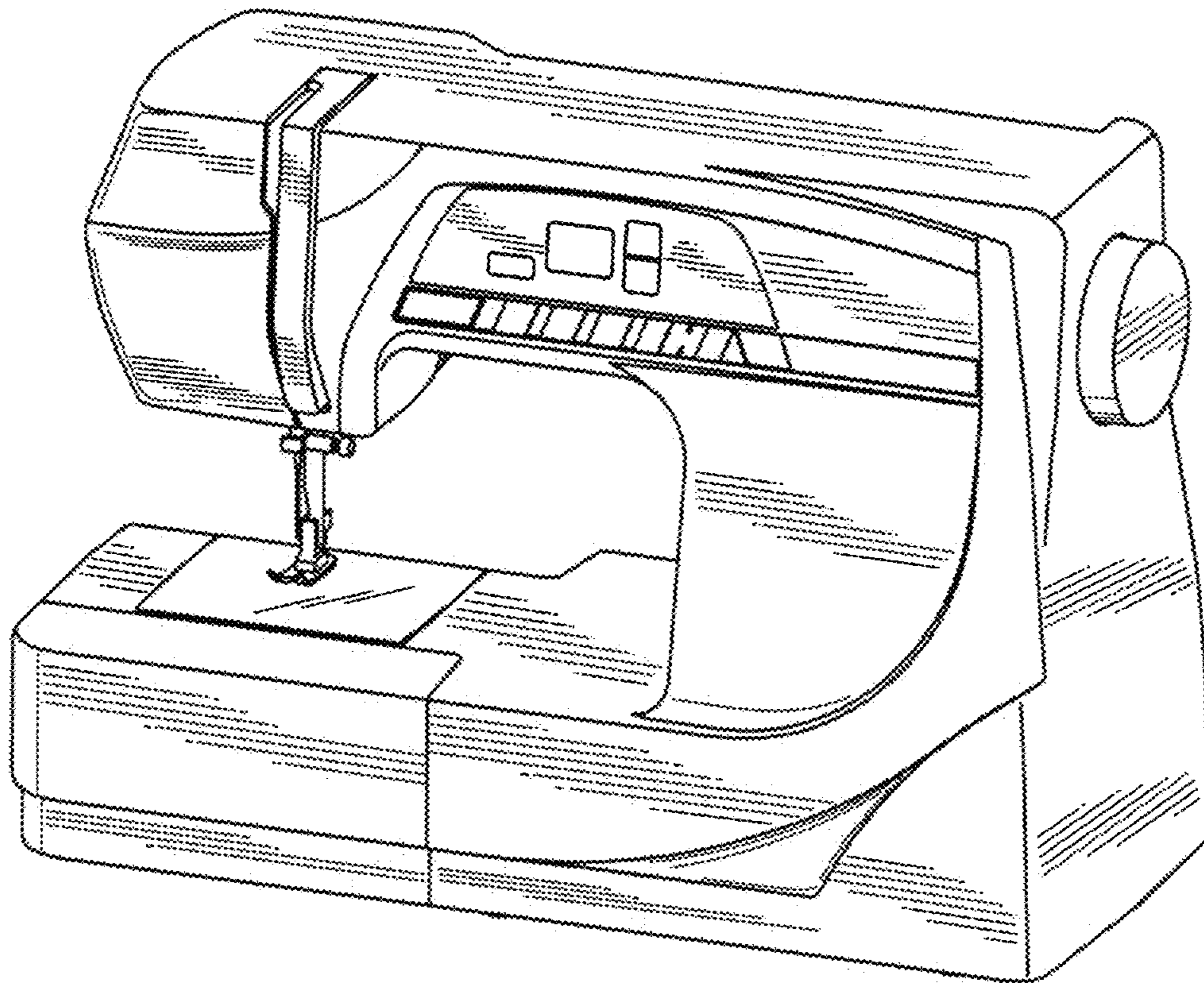


Fig. 8

