



US00D949211S

(12) **United States Design Patent** (10) **Patent No.:** **US D949,211 S**
Ikeda et al. (45) **Date of Patent:** **** Apr. 19, 2022**

(54) **BACKHOE LOADER**
(71) Applicant: **KUBOTA CORPORATION**, Osaka (JP)
(72) Inventors: **Haruhito Ikeda**, Sakai (JP); **Kiyoshi Matsui**, Sakai (JP); **Teruo Kunizawa**, Sakai (JP); **Junki Ito**, Sakai (JP); **Masamitsu Date**, Sakai (JP); **Alessandro Cecchini**, Forli-Cesena (IT); **Massimo Barchi**, Forli-Cesena (IT)
(73) Assignee: **KUBOTA CORPORATION**, Osaka (JP)

Primary Examiner — Calvin E Vansant
(74) *Attorney, Agent, or Firm* — Jorie L. Stroup; Roberts Calderon Safran & Cole P.C.

(**) Term: **15 Years**
(21) Appl. No.: **35/509,544**
(22) Filed: **Sep. 26, 2019**

(57) **CLAIM**

The ornamental design for a backhoe loader, as shown and described.

(80) **Hague Agreement Data**
Int. Filing Date: **Sep. 26, 2019**
Int. Reg. No.: **DM/208428**
Int. Reg. Date: **Sep. 26, 2019**
Int. Reg. Pub. Date: **Jun. 5, 2020**

DESCRIPTION

(30) **Foreign Application Priority Data**

Mar. 29, 2019 (JP) 2019-006963
Mar. 29, 2019 (JP) 2019-006964

- 2.1: Front
- 2.2: Back
- 2.3: Top
- 2.4: Left
- 2.5: Right
- 2.6: Partially enlarged view of part AA
- 2.7: Cross-sectional view taken along line BB of 2.6
- 2.8: Cross-sectional view taken along line CC of 2.6
- 2.9: Cross-sectional view taken along line DD of 2.6
- 2.10: Partially cutaway top view
- 2.11: Rear perspective view

(51) **LOC (13) Cl.** **15-03**
(52) **U.S. Cl.**
USPC **D15/30**
(58) **Field of Classification Search**
USPC D15/25, 28, 30, 33
CPC B60Y 2200/15; B60Y 2200/41; B60Y 2200/412
See application file for complete search history.

The broken lines in the reproductions depict portions of the backhoe loader that form no part of the claim. Reproduction 2.7 is a cross-sectional view taken along line BB of Reproduction 2.6. Reproduction 2.8 is a cross-sectional view taken along line CC of Reproduction 2.6. Reproduction 2.9 is a cross-sectional view taken along line DD of Reproduction 2.6. Reproduction 2.10 is a view showing the top part of the claimed design by partially cutting away the rear end of the canopy.
The dashed broken lines in the reproductions depict portions of the backhoe loader that form no part of the claim. The long dash sort dash broken lines in Reproduction 2.10 represent the boundary of the cut away area and form no part of the claimed design.

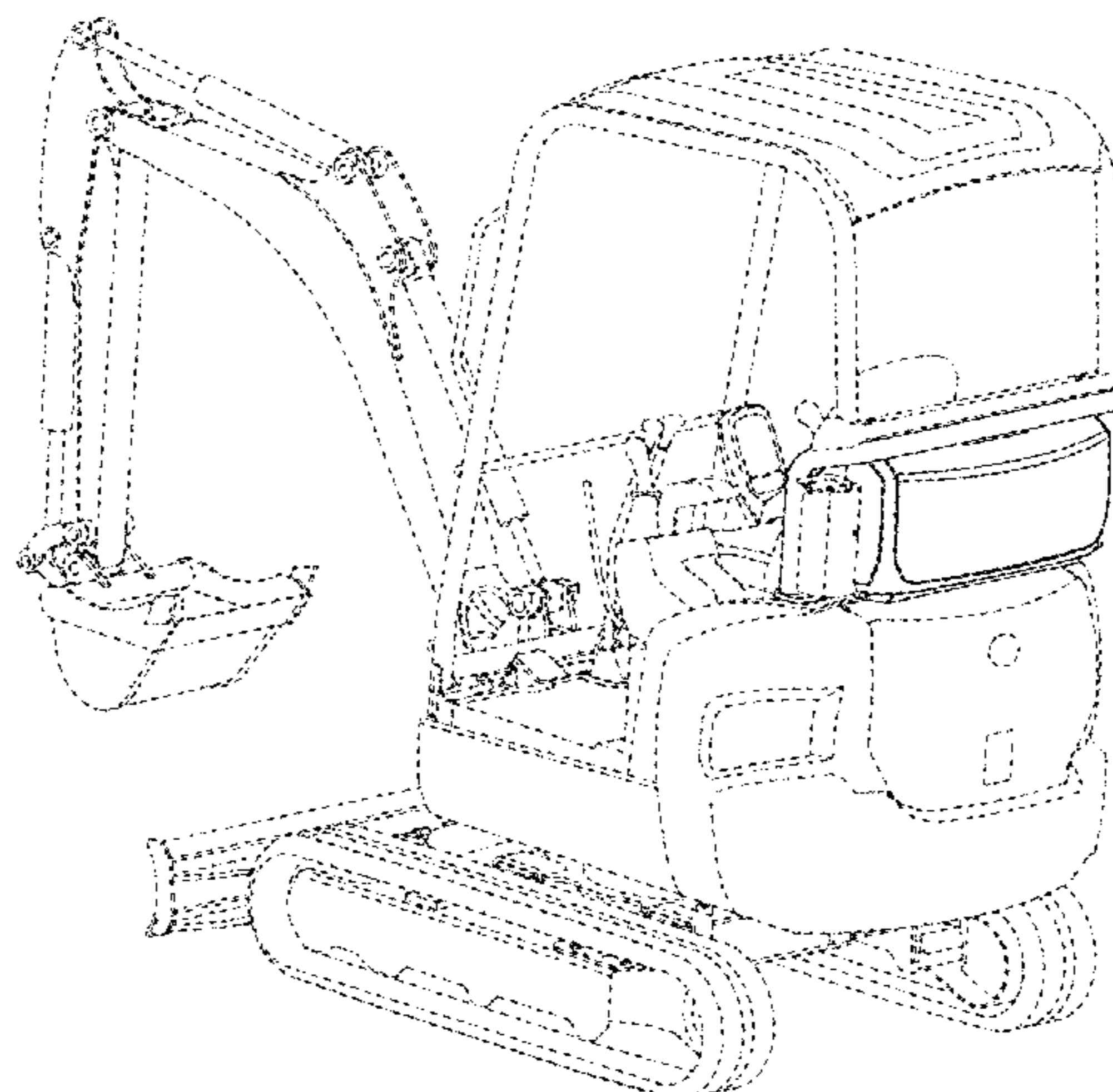
(56) **References Cited**

U.S. PATENT DOCUMENTS

D490,088 S * 5/2004 Powell E02F 9/0883 D15/17
D528,568 S * 9/2006 Kuwae D15/28
D535,923 S * 1/2007 Katoh D12/171

(Continued)

1 Claim, 11 Drawing Sheets



(56)

References Cited

U.S. PATENT DOCUMENTS

8,616,159 B1 * 12/2013 Hawkins F02B 63/047
123/2
D763,326 S * 8/2016 Thompson D15/28
D773,537 S * 12/2016 Fiser D15/30
D774,112 S * 12/2016 Fiser D15/30
D868,120 S * 11/2019 Jilbert D15/28
D870,779 S * 12/2019 Jilbert D15/28
D890,224 S * 7/2020 Brace D15/28
D908,739 S * 1/2021 Zong D15/25
D915,470 S * 4/2021 Ninomiya D15/25
D936,114 S * 11/2021 Hagner D15/30
2013/0341481 A1 * 12/2013 Sasaki E02F 9/0883
248/503

* cited by examiner

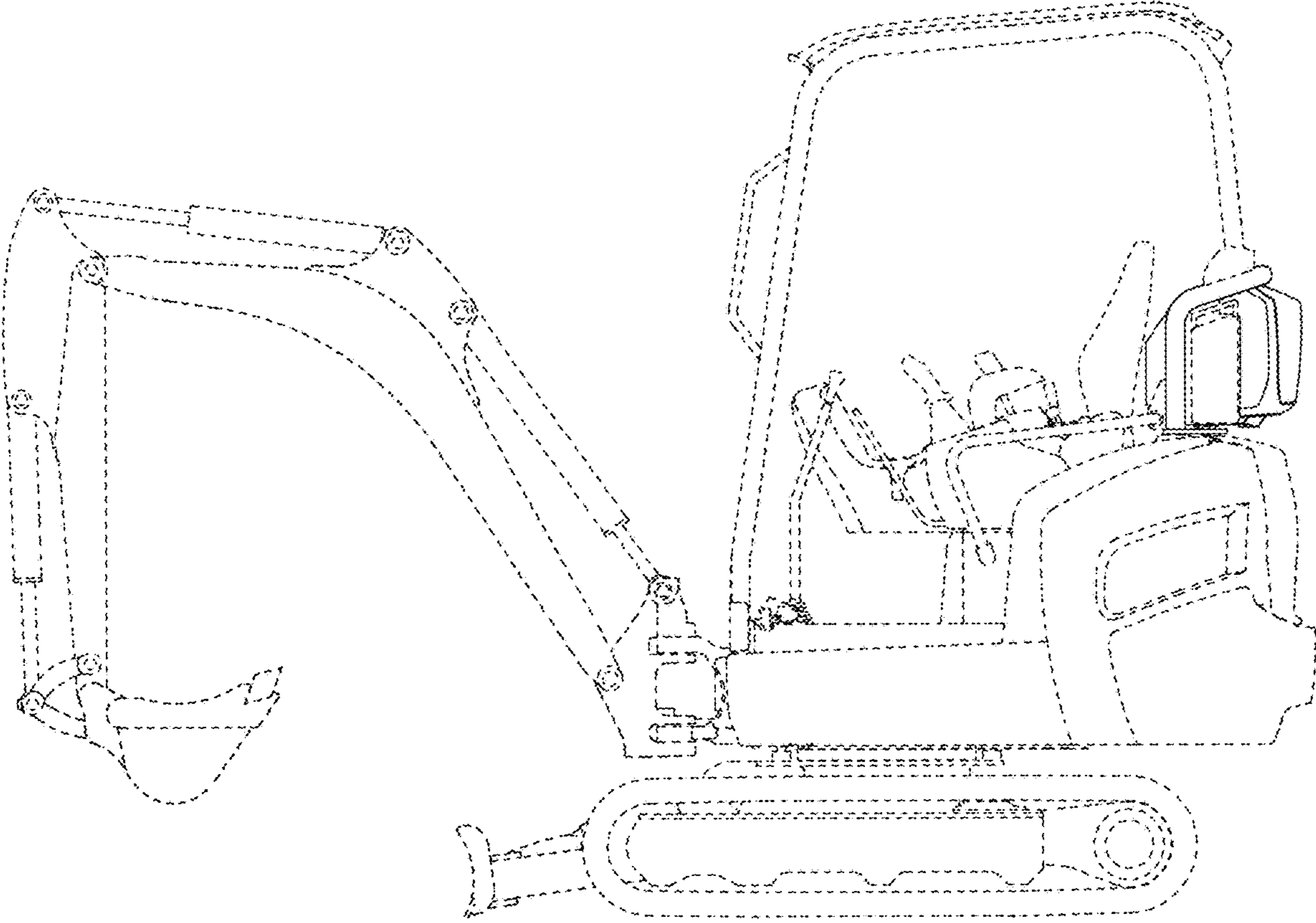


FIG. 2.1

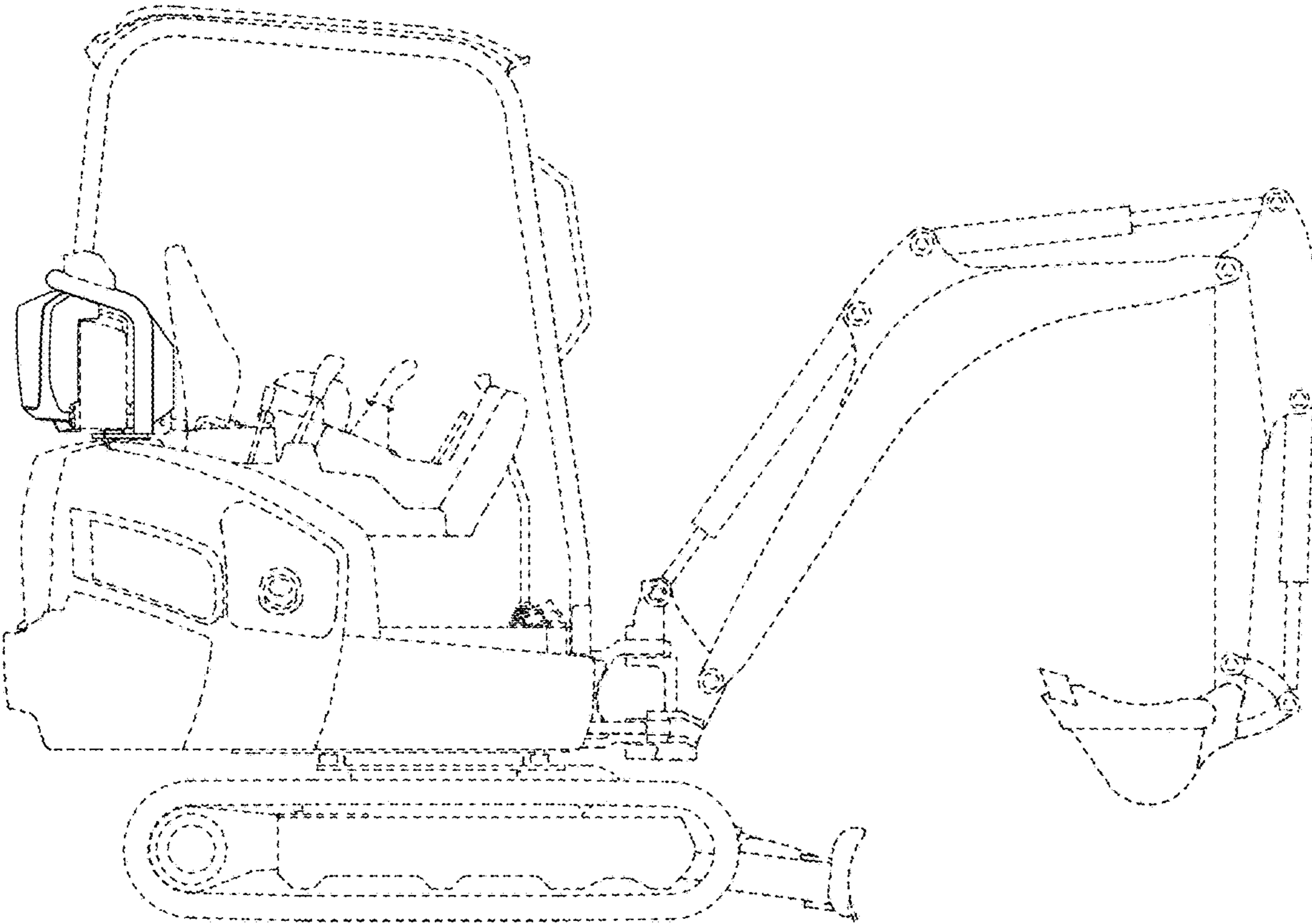


FIG. 2.2

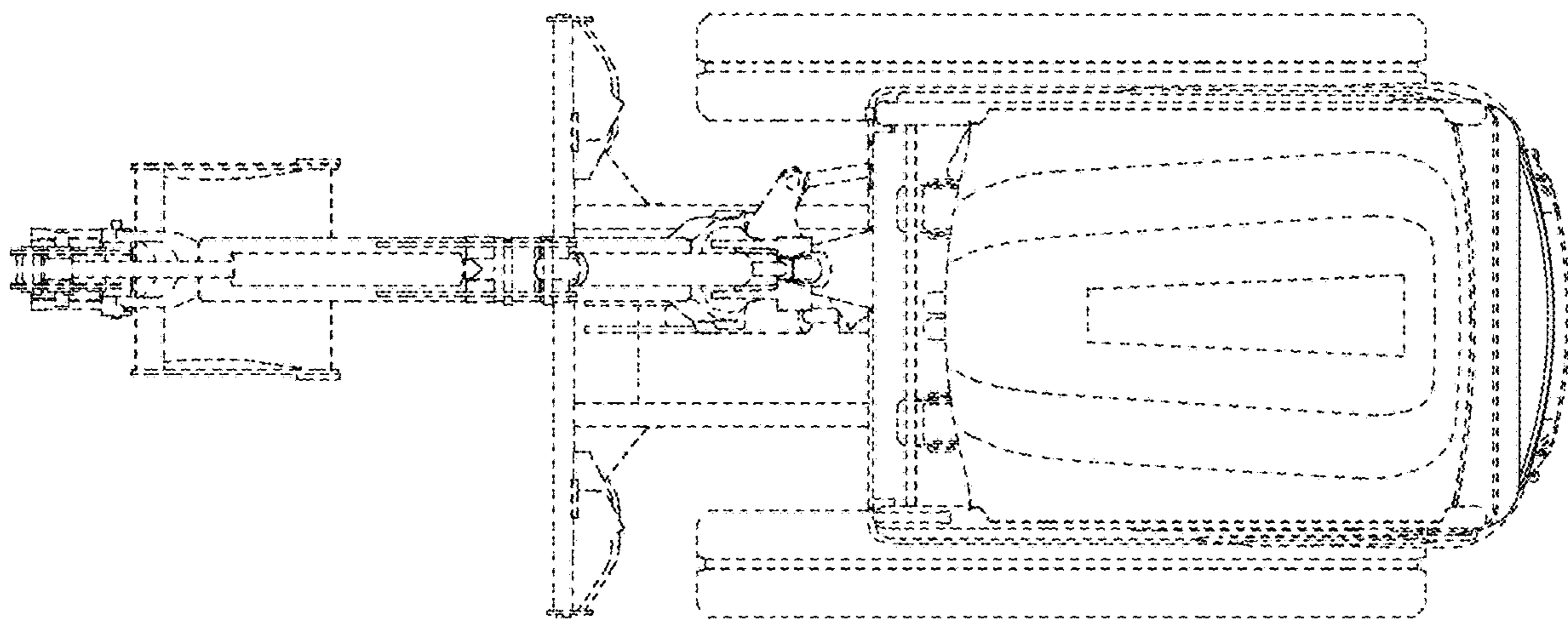


FIG. 2.3

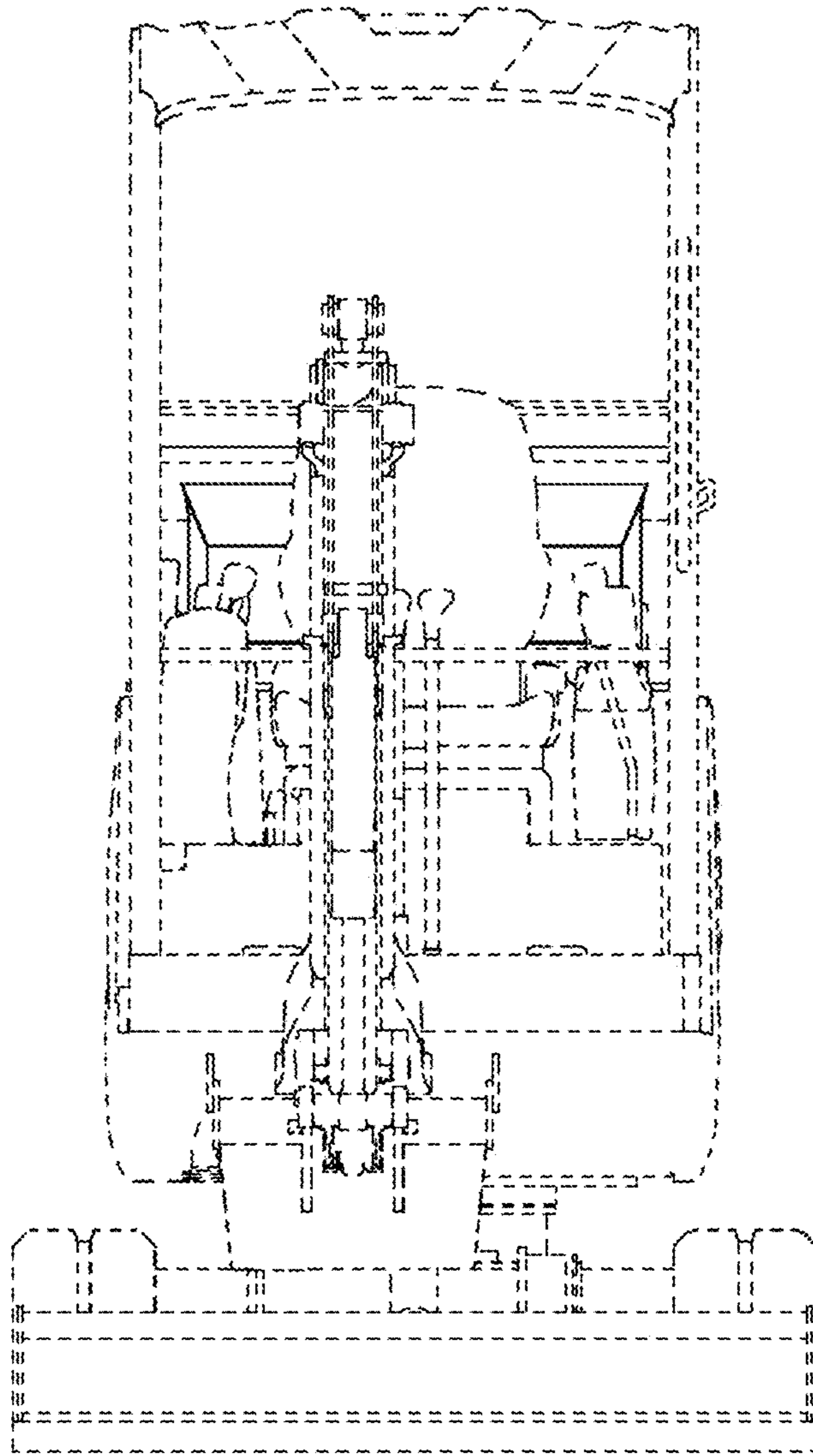


FIG. 2.4

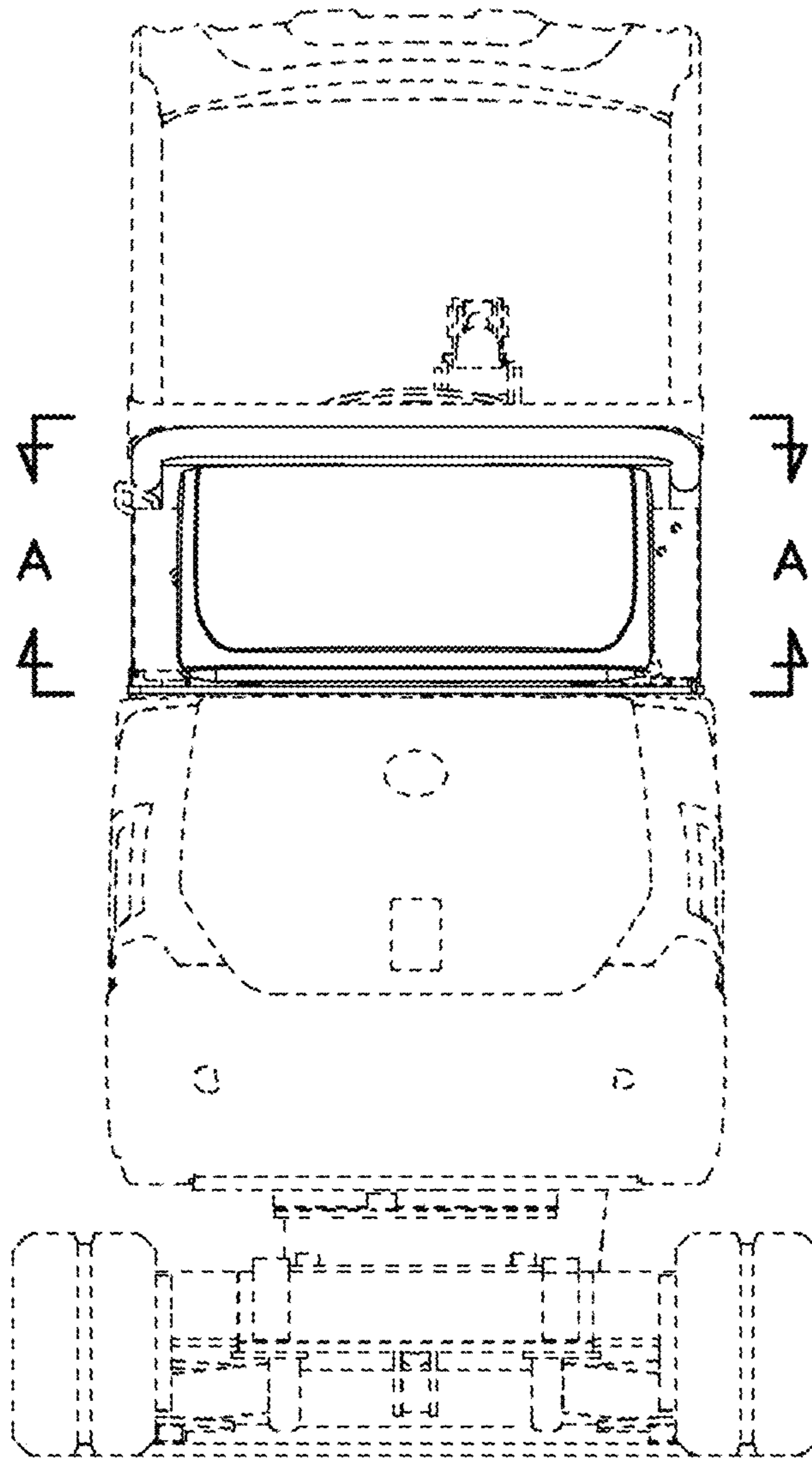


FIG. 2.5

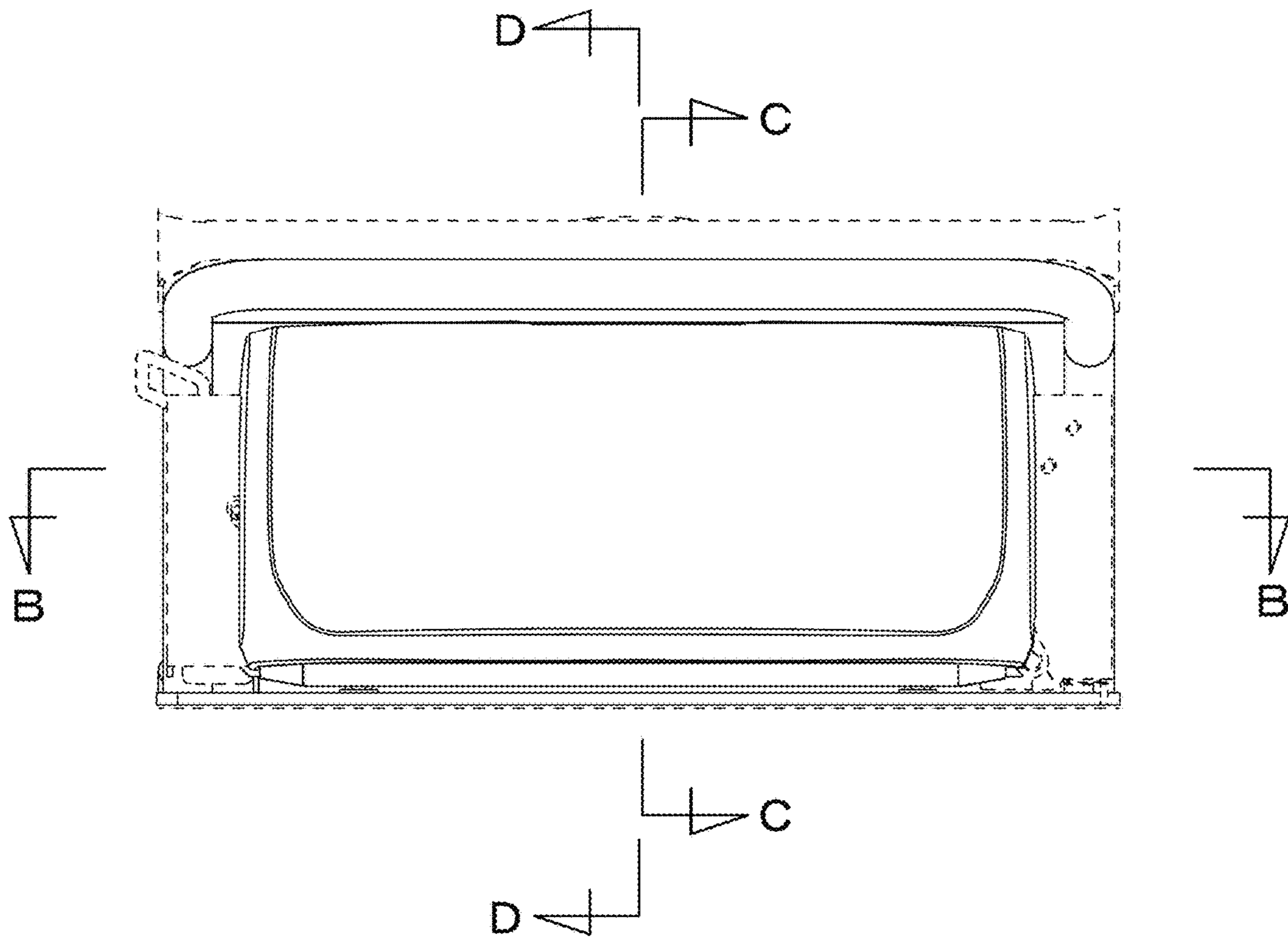


FIG. 2.6

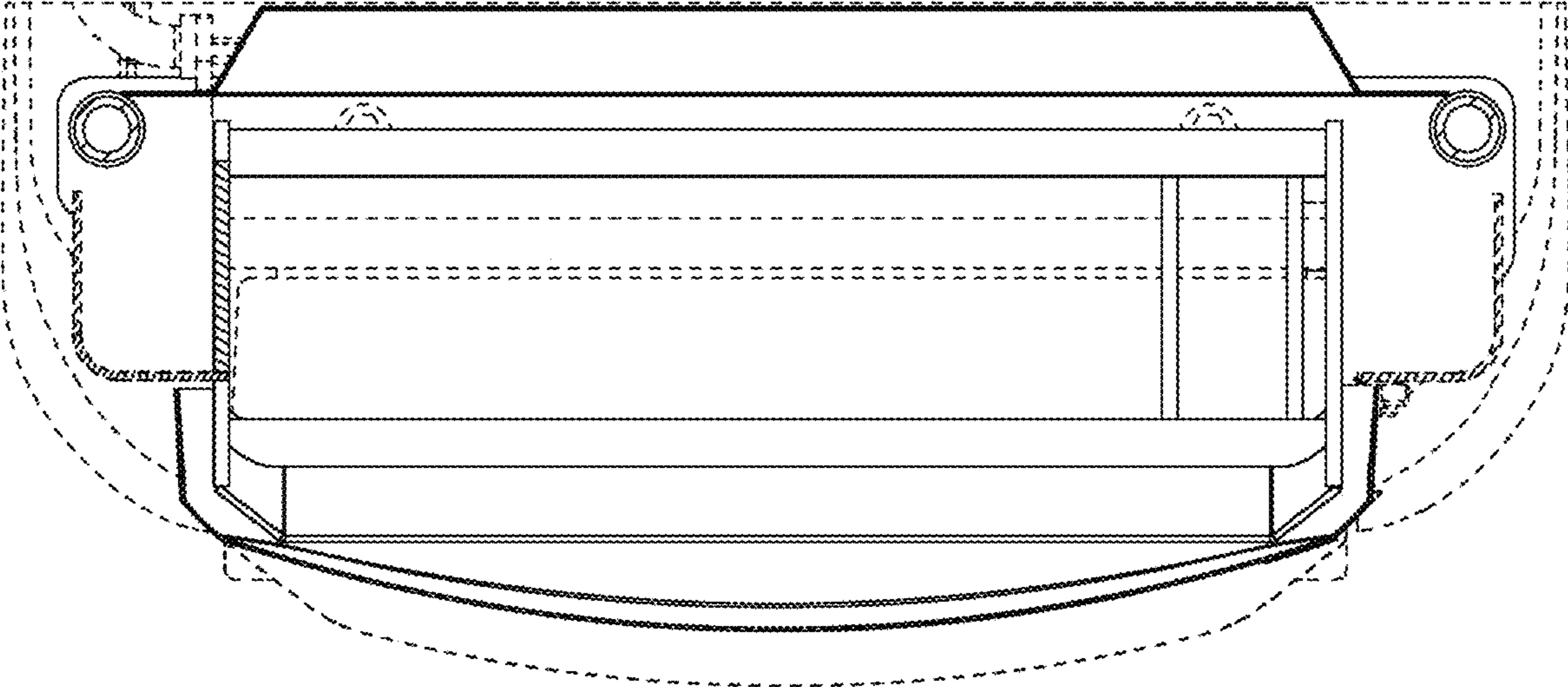


FIG. 2.7

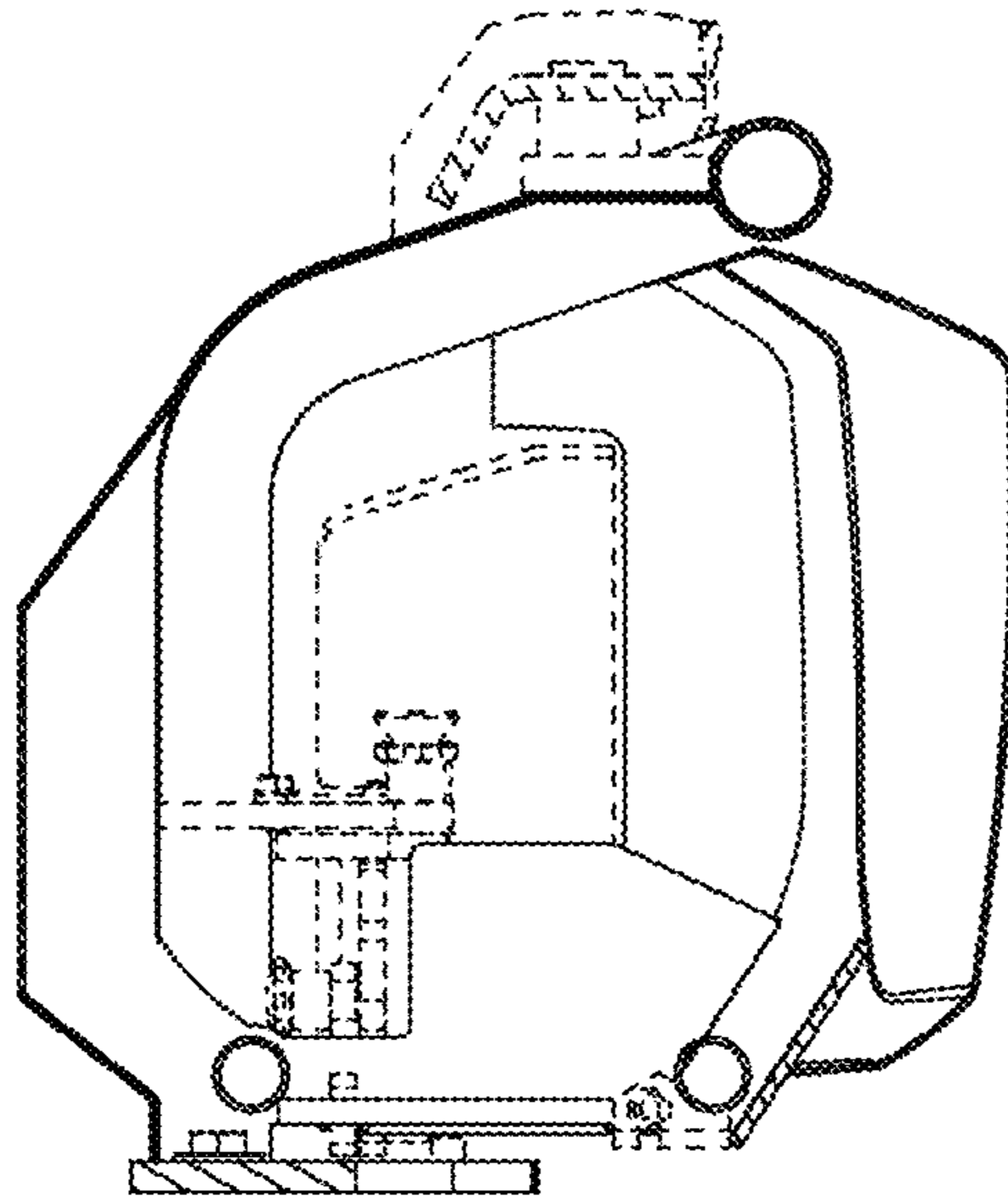


FIG. 2.8

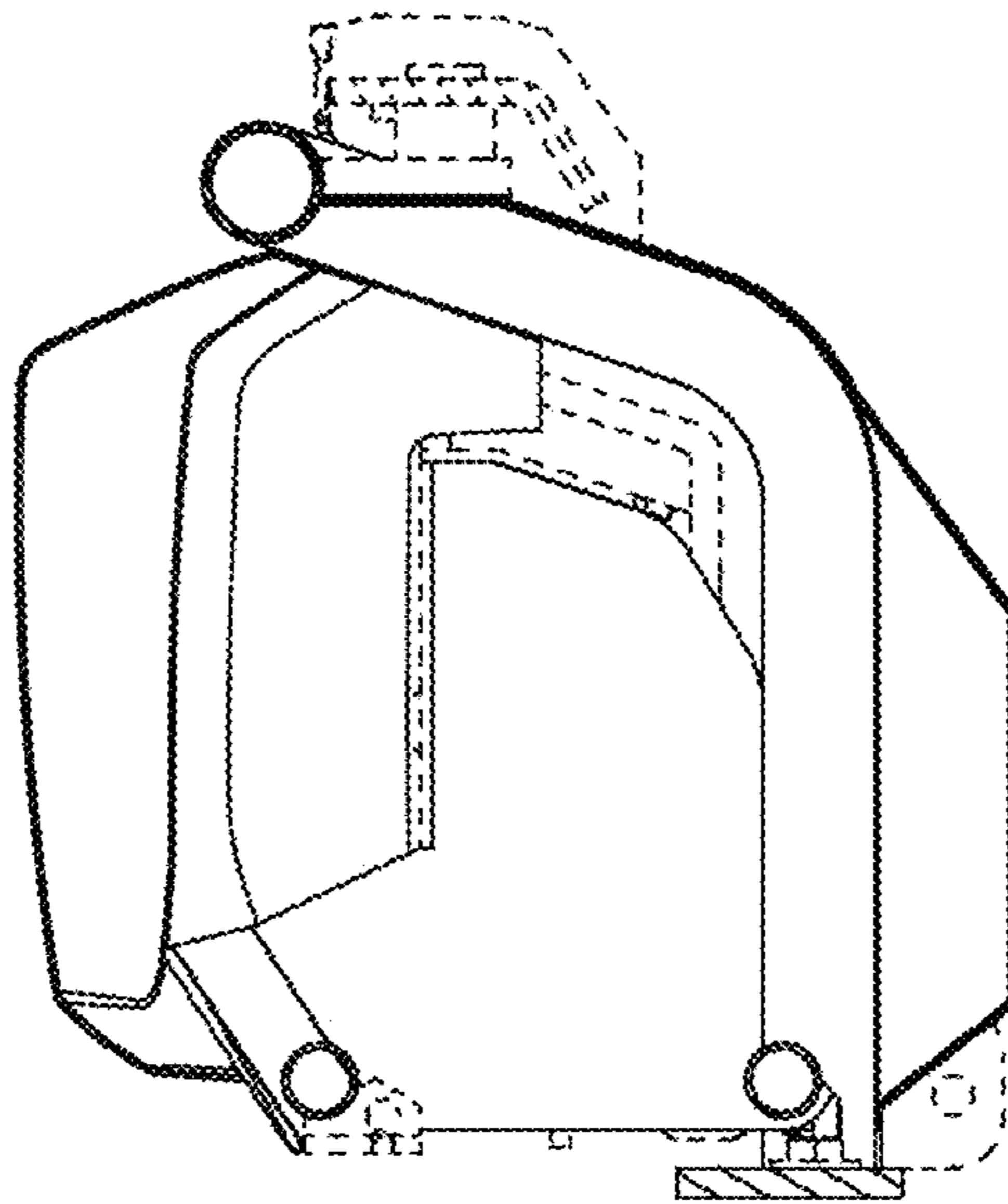


FIG. 2.9

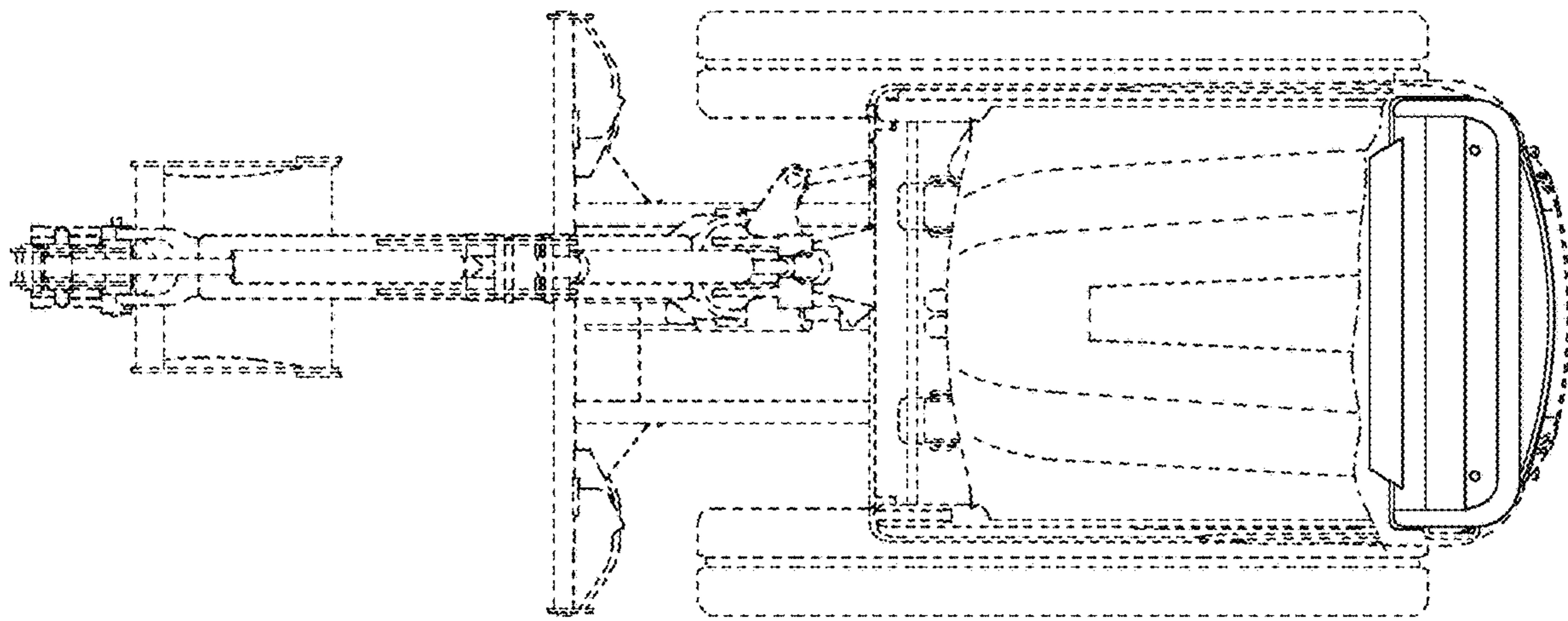


FIG. 2.10

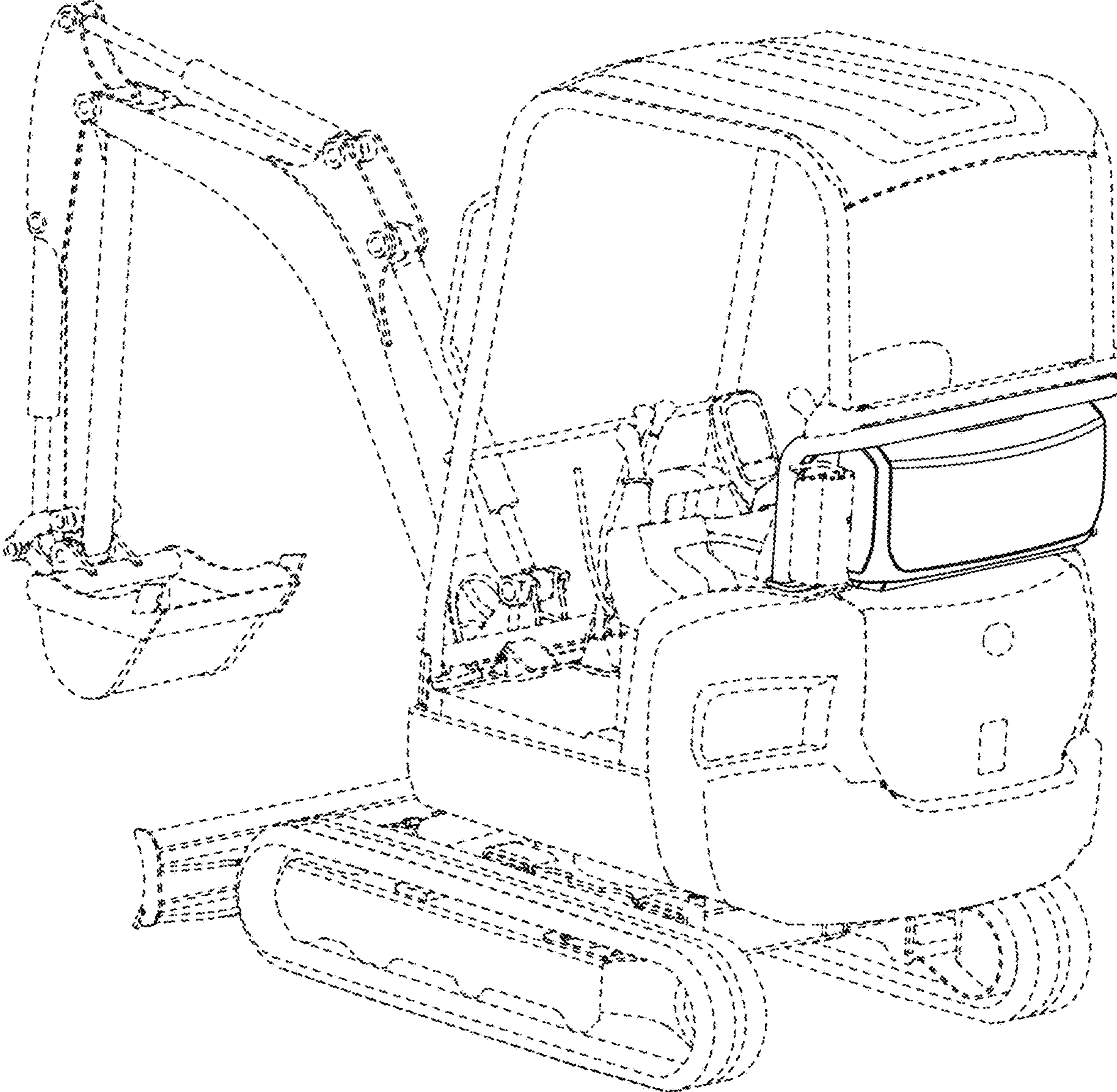


FIG. 2.11