



US00D949207S

(12) **United States Design Patent**
Zhao et al.

(10) **Patent No.:** **US D949,207 S**

(45) **Date of Patent:** **** Apr. 19, 2022**

(54) **EXCAVATING AND LOADING MACHINE**

(71) Applicant: **JIANGSU XCMG CONSTRUCTION MACHINERY RESEARCH INSTITUTE LTD.**, Xuzhou (CN)

(72) Inventors: **Bin Zhao**, Xuzhou (CN); **Zhiyao Zan**, Xuzhou (CN); **Yimin Zhang**, Xuzhou (CN)

(73) Assignee: **JIANGSU XCMG CONSTRUCTION MACHINERY RESEARCH INSTITUTE LTD.**, Xuzhou (CN)

(**) Term: **15 Years**

(21) Appl. No.: **29/756,660**

(22) Filed: **Oct. 29, 2020**

(51) **LOC (13) Cl.** **15-03**

(52) **U.S. Cl.**
USPC **D15/25**

(58) **Field of Classification Search**
USPC D15/10, 22-26, 33
CPC E02F 9/2004; E02F 9/07; E02F 9/2091;
E02F 9/2246; E02F 9/2292; E02F 9/026;
E02F 9/0808; E02F 9/0833; E02F 9/0858;
E02F 9/0875; E02F 9/2045; E02F 3/627;
E02F 3/425; E02F 3/437; E02F 3/325;
E02F 3/352; E02F 3/384; E02F 3/00;
E02F 3/04; E02F 3/96; E02F 3/964;
B62D 21/186; B62D 49/06
See application file for complete search history.

(56) **References Cited**

U.S. PATENT DOCUMENTS

4,182,456 A * 1/1980 Paul B62D 21/186
280/781
5,265,995 A * 11/1993 Beck E02F 3/964
180/331

D406,151 S * 2/1999 Cunningham D15/25
D416,266 S * 11/1999 Del Torchio D15/25
D431,575 S * 10/2000 Park D15/25
D438,218 S * 2/2001 McIlwraith D15/25
D470,513 S * 2/2003 Miller D15/22
D479,535 S * 9/2003 Lange D15/25
D523,874 S * 6/2006 Hagele D15/30
D529,932 S * 10/2006 Yamashita D15/25
D540,828 S * 4/2007 Johnson D15/25
D540,829 S * 4/2007 Johnson D15/25
D628,599 S * 12/2010 Major D15/23
D629,017 S * 12/2010 Major D15/23
D802,027 S * 11/2017 Underhill D15/25
D842,344 S * 3/2019 Okuyama D15/23
D849,061 S * 5/2019 Underhill D15/25
D851,133 S * 6/2019 Jilbert D15/25
D851,135 S * 6/2019 Jilbert D15/25
D909,423 S * 2/2021 Zhao D15/25
D912,101 S * 3/2021 Pastier D15/25

* cited by examiner

Primary Examiner — Mark A Goodwin

(74) *Attorney, Agent, or Firm* — Kilpatrick Townsend & Stockton LLP

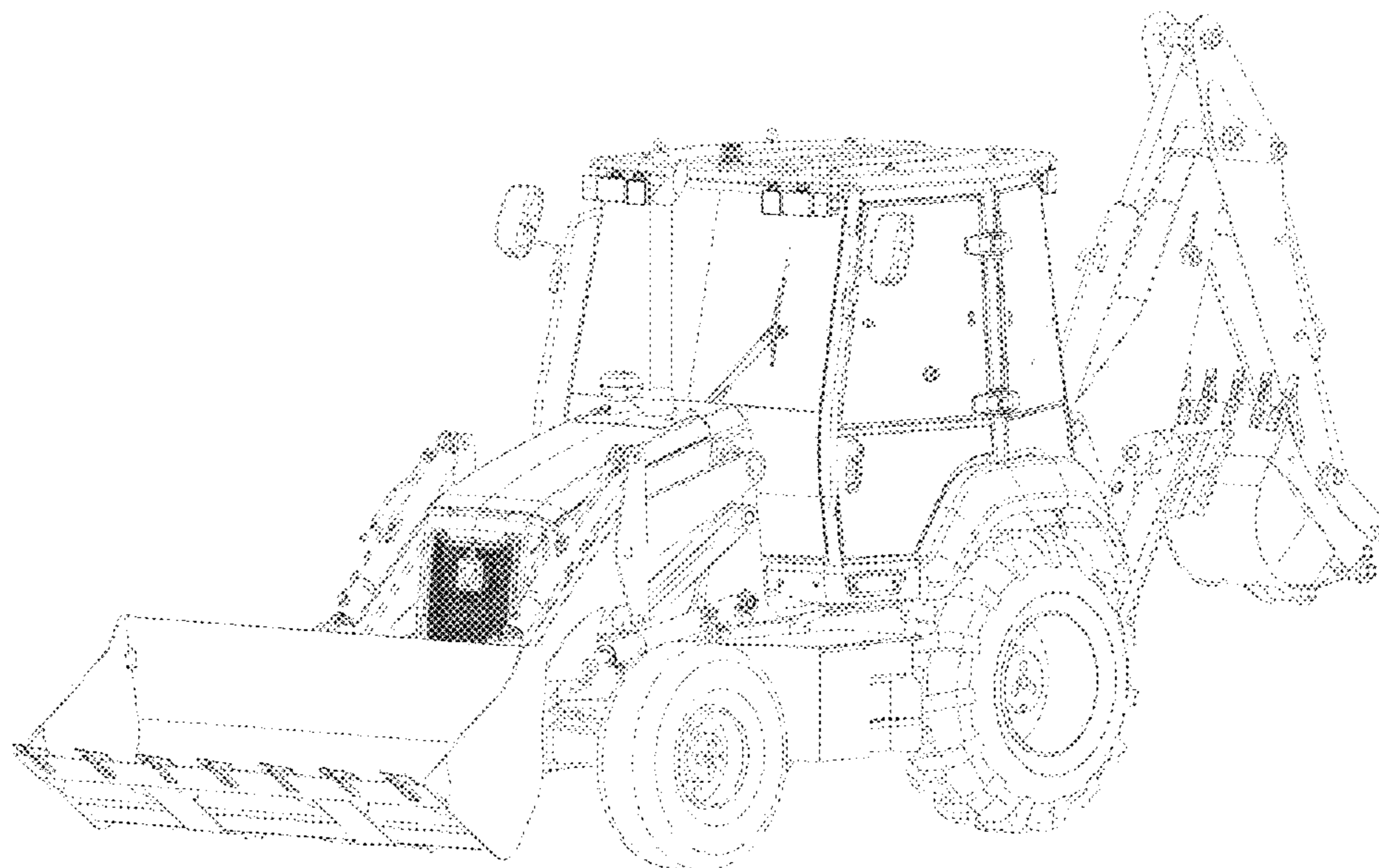
(57) **CLAIM**

The ornamental design for an excavating and loading machine, as shown and described.

DESCRIPTION

FIG. 1 is a first perspective view of the excavating and loading machine, showing our new design;
FIG. 2 is a second perspective view thereof;
FIG. 3 is front view thereof;
FIG. 4 is a rear view thereof;
FIG. 5 is a right view thereof;
FIG. 6 is a left view thereof; and,
FIG. 7 is a top view thereof.

1 Claim, 7 Drawing Sheets



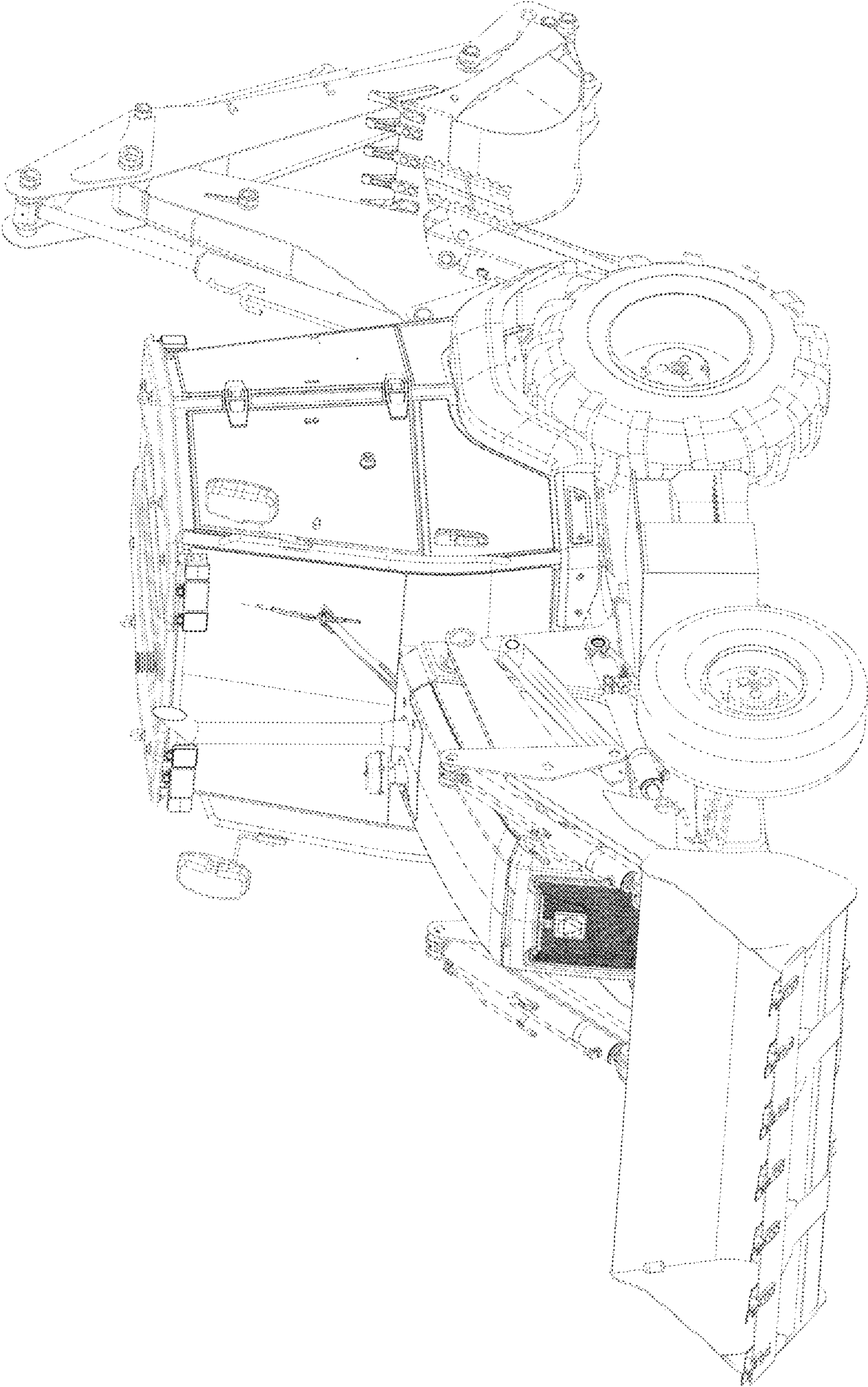


FIG. 1

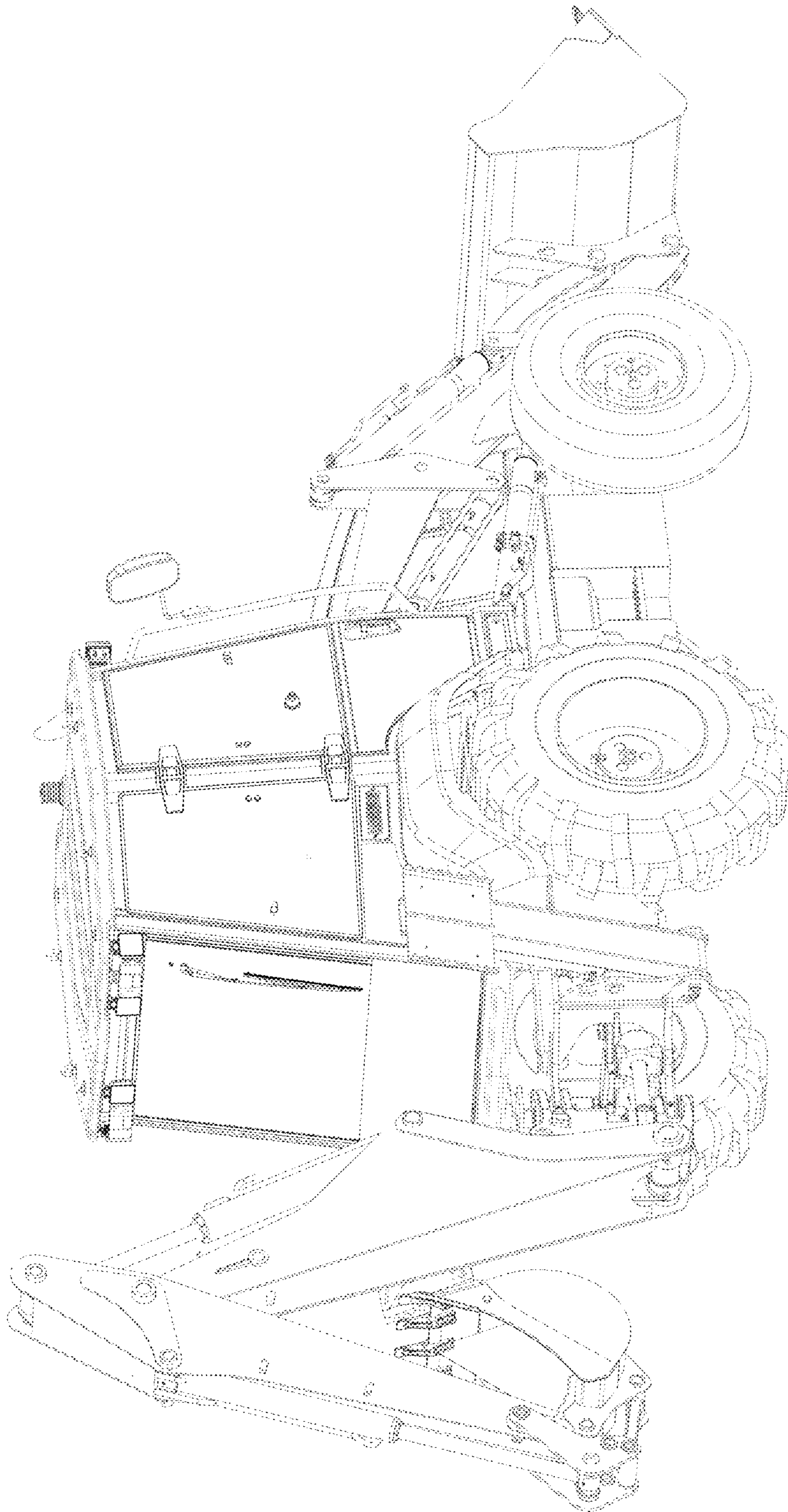


FIG 2

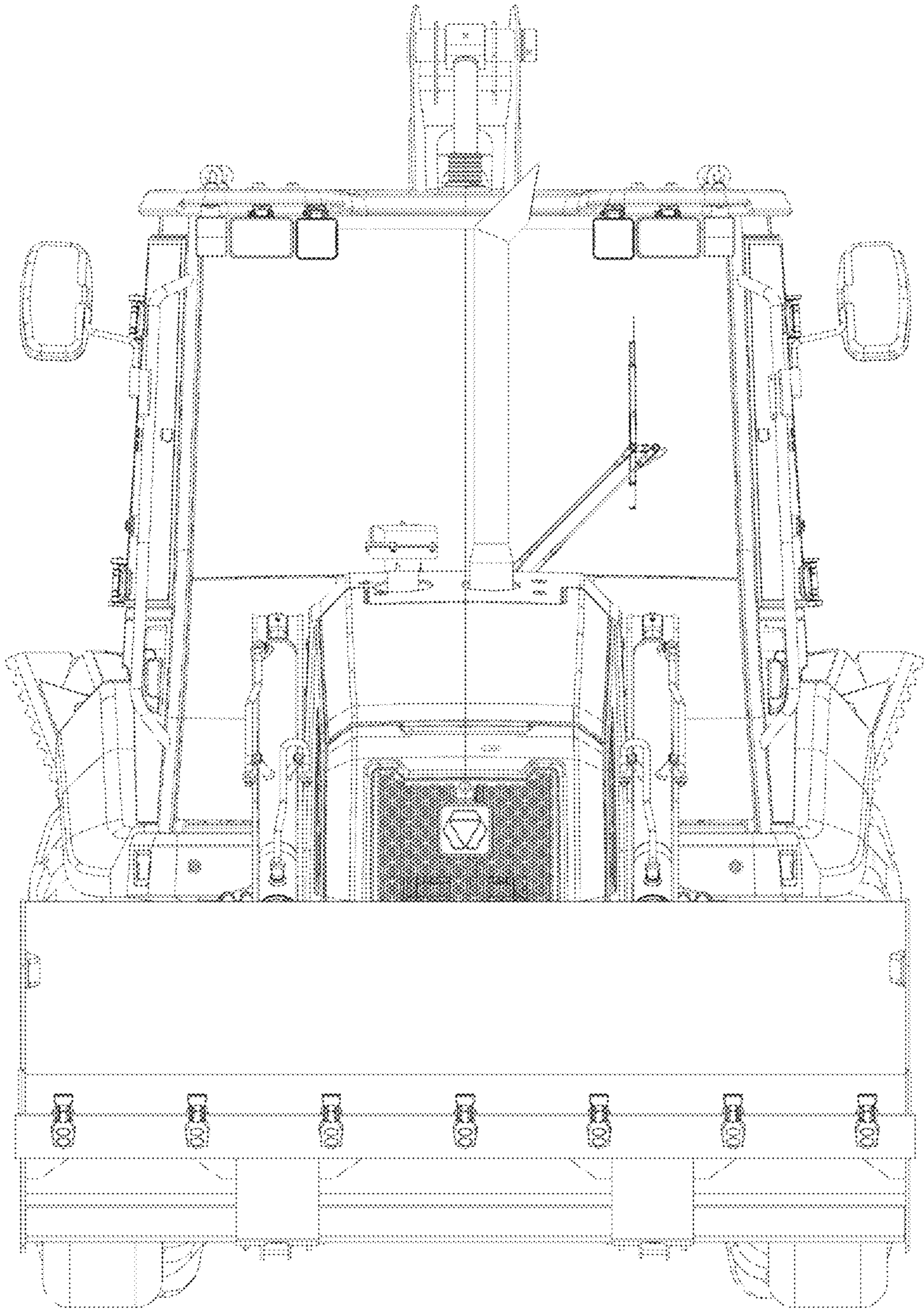


FIG. 3

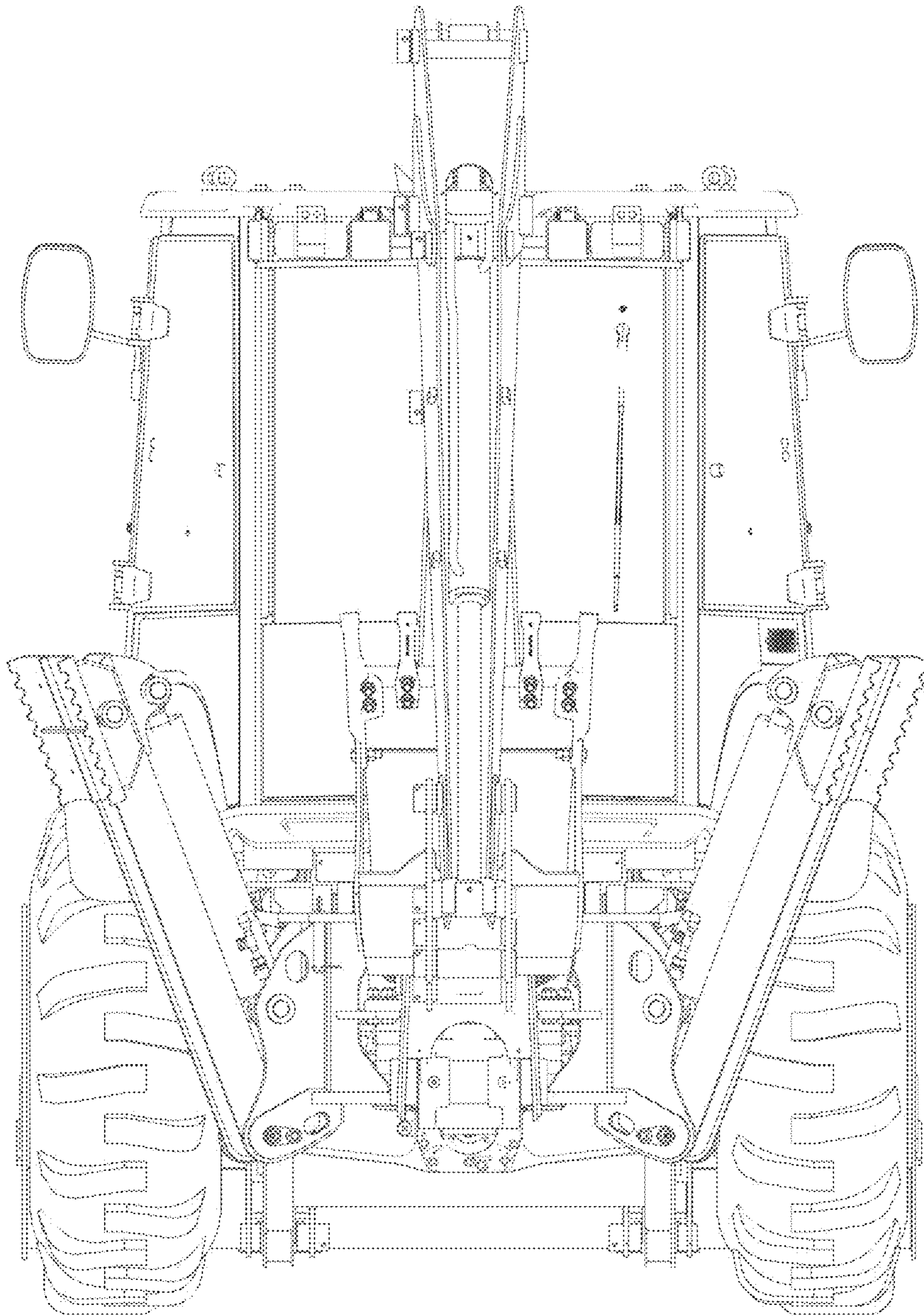


FIG. 4

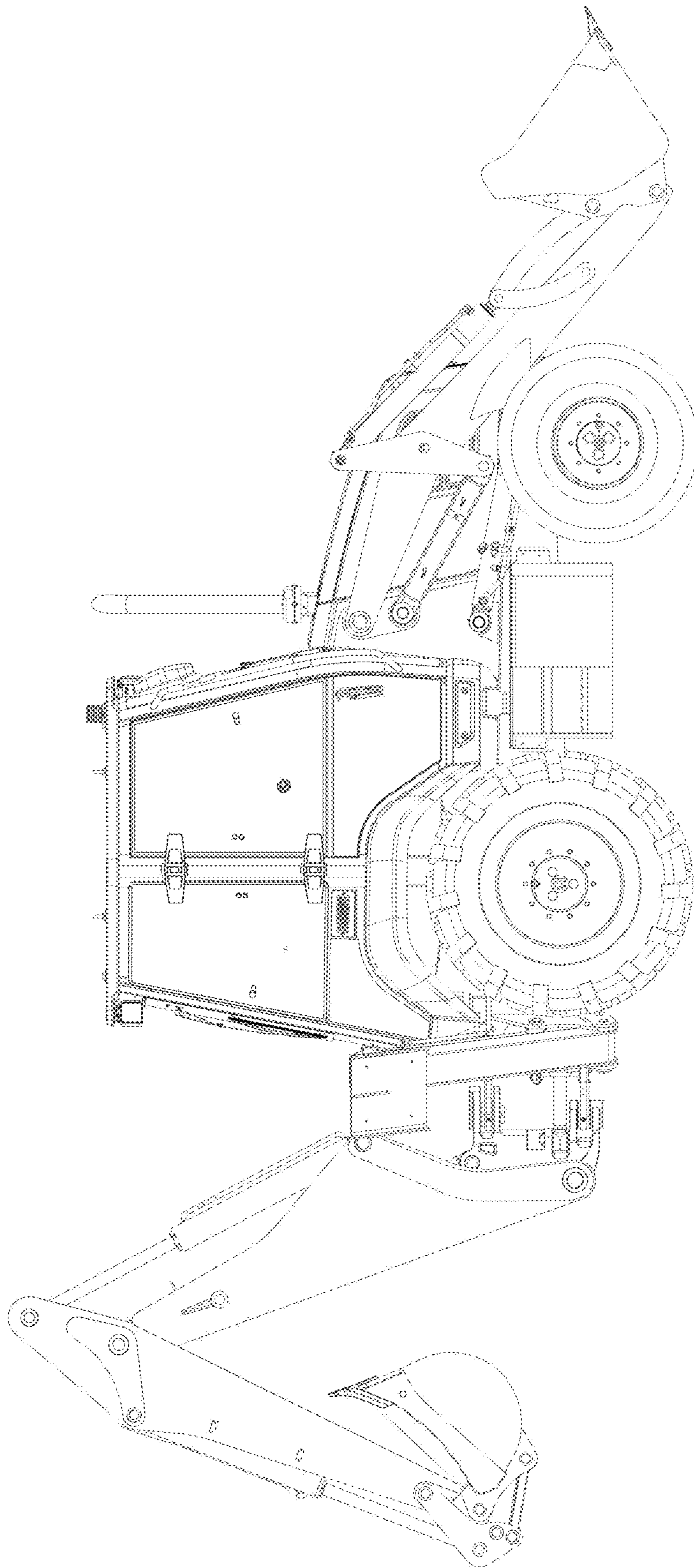


FIG. 5

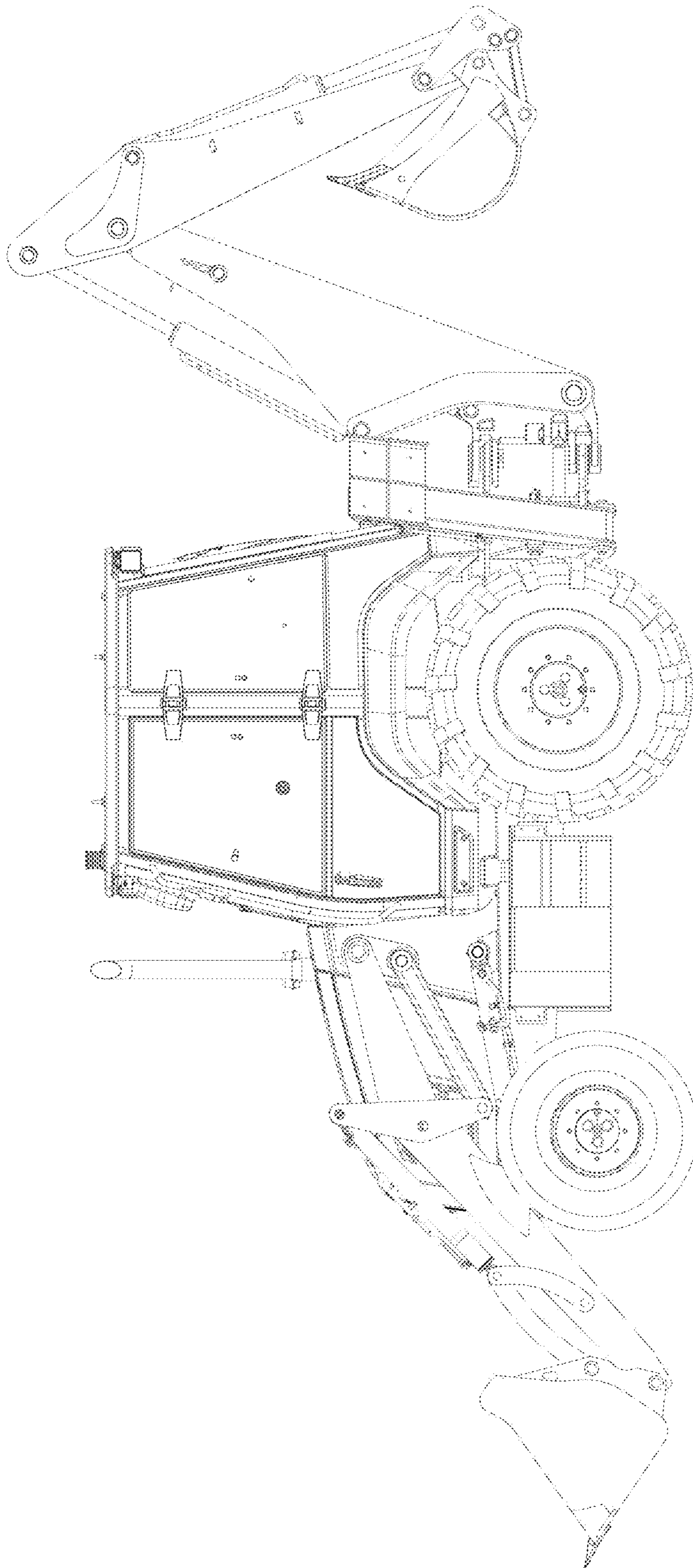


FIG. 6

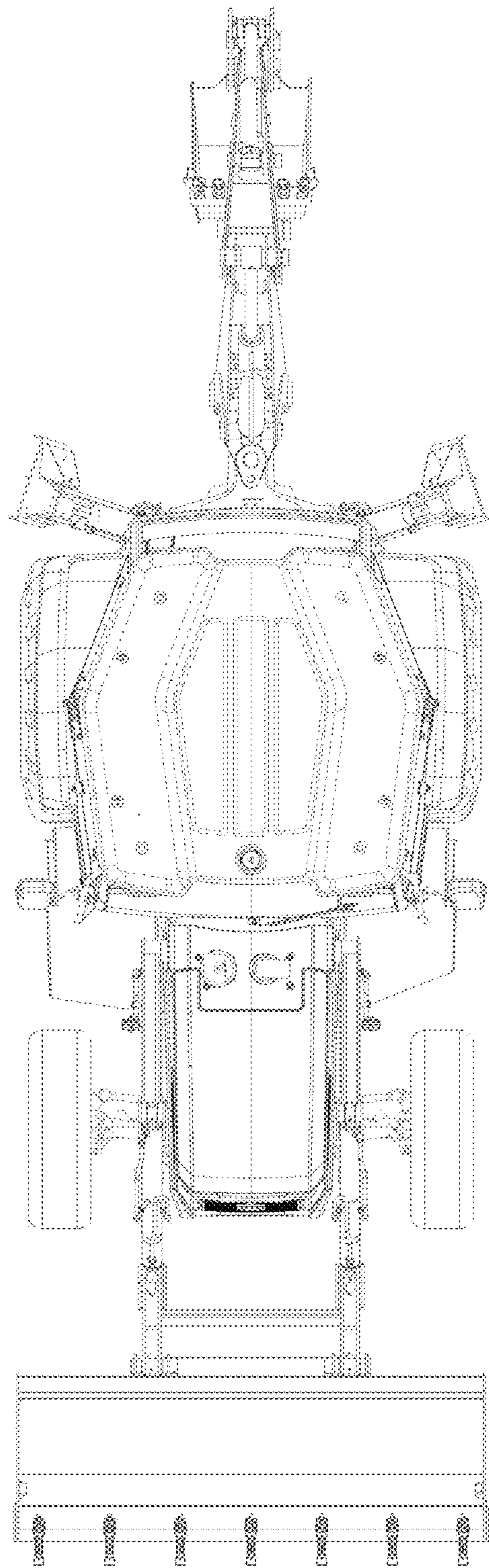


FIG. 7