



US00D949206S

(12) **United States Design Patent**
Cmich

(10) **Patent No.:** **US D949,206 S**
(45) **Date of Patent:** **** Apr. 19, 2022**

- (54) **CUTTING BLADE**
- (71) Applicant: **MTD Products Inc**, Valley City, OH (US)
- (72) Inventor: **Ryan Cmich**, Sharon Township, OH (US)
- (73) Assignee: **MTD PRODUCTS INC**, Valley City, OH (US)
- (**) Term: **15 Years**
- (21) Appl. No.: **29/762,340**
- (22) Filed: **Dec. 16, 2020**
- (51) **LOC (13) Cl.** **15-03**
- (52) **U.S. Cl.**
USPC **D15/17**
- (58) **Field of Classification Search**
USPC D15/14-18, 32; D8/20; 30/347, 276, 30/390; 56/295, 255, 289, 13.4, 17.5, 56/DIG. 19, DIG. 20
CPC A01D 34/005; A01D 34/73; A01D 34/13; A01D 34/40; A01D 34/10; A01D 34/733; A01D 34/52; A01D 34/42; A01D 34/00; A01D 34/826; A01D 34/664; A01D 34/736; A01D 34/66; A01D 2101/00; Y10S 56/20; Y10S 56/17
See application file for complete search history.

- D458,279 S * 6/2002 Blakeslee D15/28
- D458,280 S * 6/2002 Blakeslee D15/28
- D462,702 S * 9/2002 Neuerburg D15/28
- D493,340 S 7/2004 Pyatt
- 6,829,878 B1 * 12/2004 Hoffman A01D 34/736
56/295
- 6,829,879 B2 * 12/2004 Weichholdt A01F 12/40
460/112
- 6,953,398 B1 10/2005 Turner
- 7,104,883 B2 * 9/2006 Dow A01F 12/40
460/112
- D633,110 S * 2/2011 Neuerburg D15/17
- D663,595 S 7/2012 Nikkel
- 8,307,559 B2 11/2012 Tomita
- D679,968 S 4/2013 Chiu
- D684,444 S 6/2013 Medhurst
- D767,639 S 9/2016 Johnson et al.

(Continued)

FOREIGN PATENT DOCUMENTS

- EP 3273766 B1 4/2020
- EP 3142476 B1 8/2020

(Continued)

Primary Examiner — Mark A Goodwin
(74) *Attorney, Agent, or Firm* — Wegman Hessler

(57) **CLAIM**

I claim the ornamental design for a cutting blade, as shown and described.

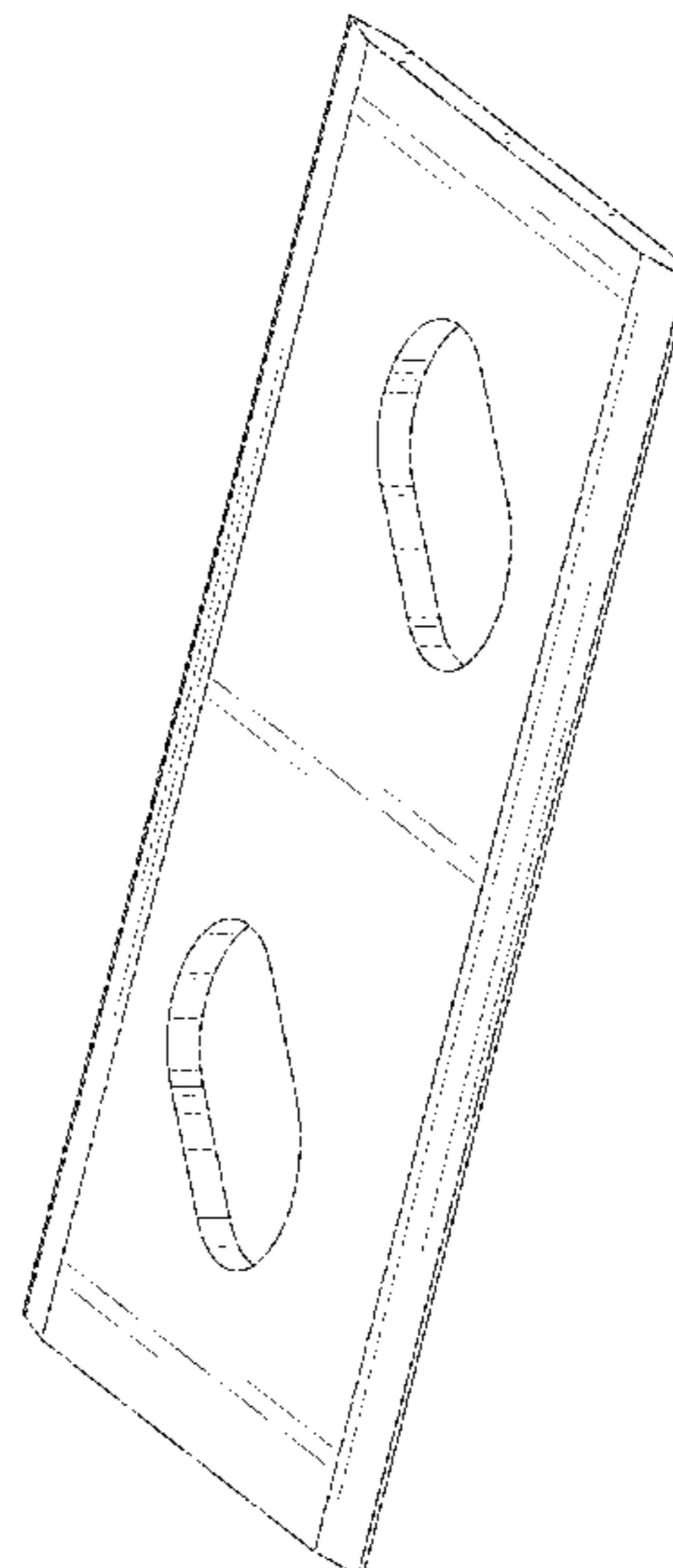
DESCRIPTION

FIG. 1 is a top perspective view of a cutting blade showing my new design;
FIG. 2 is top view thereof, wherein the bottom view is a mirror image thereof;
FIG. 3 is a right side view thereof, wherein the left side view is an identical image thereof; and,
FIG. 4 is a front view thereof, wherein the rear view is an identical image thereof.

1 Claim, 3 Drawing Sheets

(56) **References Cited**
U.S. PATENT DOCUMENTS

- 3,596,453 A 8/1971 Smith
- D248,474 S * 7/1978 Oosterling D15/29
- 5,343,681 A * 9/1994 de Jong A01D 34/736
56/255
- 5,622,035 A * 4/1997 Kondo A01D 34/733
30/276
- D440,580 S * 4/2001 Cooper D15/17
- D449,054 S * 10/2001 Neuerburg D15/17



(56)

References Cited

U.S. PATENT DOCUMENTS

D873,866	S *	1/2020	Jensen	D15/17
10,874,050	B2 *	12/2020	Klein	A01F 29/02
2001/0004826	A1 *	6/2001	Neuerburg	A01D 34/736
					56/255
2002/0066263	A1 *	6/2002	Megli	A01D 34/736
					56/295
2002/0194829	A1 *	12/2002	Petersen	A01D 34/736
					56/255
2003/0101706	A1 *	6/2003	Kenny	A01D 34/005
					56/255
2003/0196332	A1 *	10/2003	Harris	A01D 34/733
					30/276
2005/0016630	A1 *	1/2005	Priesnitz	B02C 18/18
					144/241
2006/0048492	A1 *	3/2006	Harris	A01D 34/736
					56/255

2006/0213170	A1 *	9/2006	Barnett	A01D 34/664
					56/295
2009/0223193	A1 *	9/2009	Funnell	A01D 34/73
					56/17.5
2010/0101201	A1 *	4/2010	Yanke	A01D 34/736
					56/295
2010/0132200	A1	6/2010	Tomita		
2012/0137648	A1	6/2012	Nikkel		
2019/0000018	A1	1/2019	Klein et al.		
2020/0305346	A1	10/2020	Matsuzawa et al.		
2020/0352095	A1	11/2020	Jerez		

FOREIGN PATENT DOCUMENTS

EP		3581013	B1	11/2020
WO		2020053242	A1	3/2020
WO		2020192173	A1	10/2020

* cited by examiner

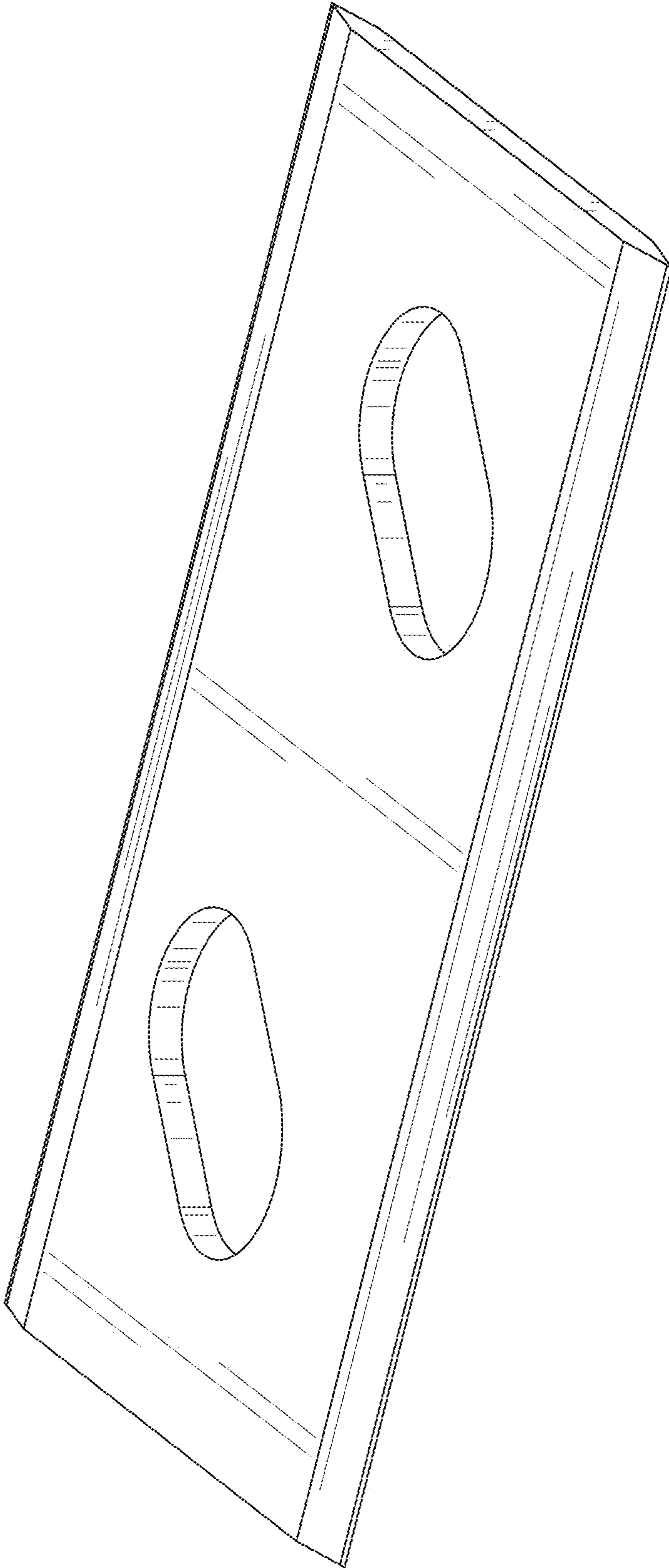


FIG. 1

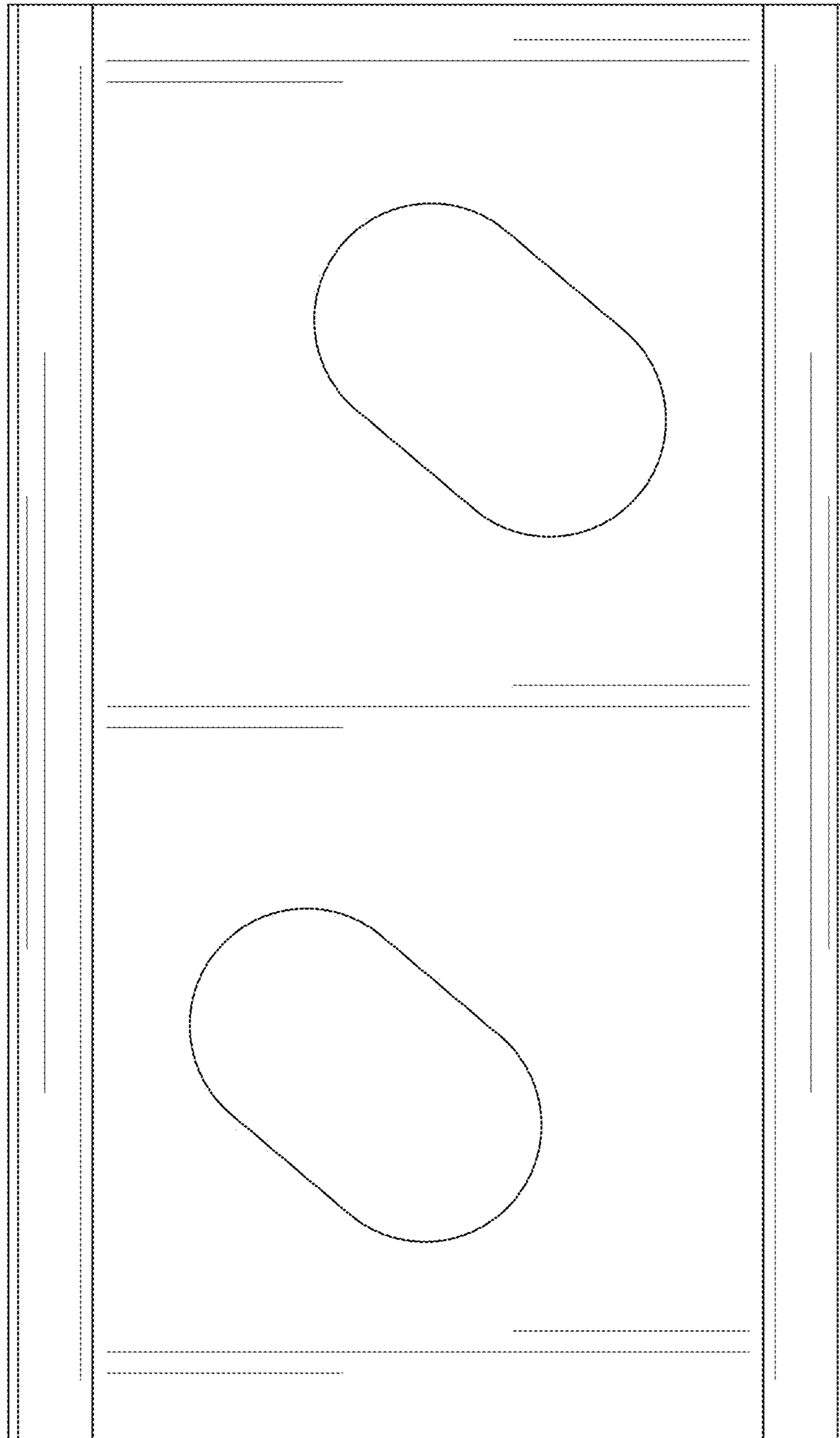


FIG. 2

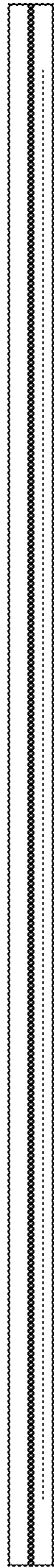


FIG. 3



FIG. 4