



US00D949205S

(12) **United States Design Patent**
Headley

(10) **Patent No.:** **US D949,205 S**
(45) **Date of Patent:** **** Apr. 19, 2022**

(54) **FLUID PUMP**

(71) Applicant: **Tuthill Corporation**, Fort Wayne, IN (US)
(72) Inventor: **Thomas R. Headley**, Roanoke, IN (US)
(73) Assignee: **Tuthill Corporation**, Fort Wayne, IN (US)

(**) Term: **15 Years**

(21) Appl. No.: **29/744,793**

(22) Filed: **Jul. 31, 2020**

(51) **LOC (13) Cl.** **15-02**

(52) **U.S. Cl.**
USPC **D15/9.1; D15/7**

(58) **Field of Classification Search**
USPC D23/206, 213, 214, 225, 231, 232, 387, D23/421; D15/7-9.1, 21, 199
CPC F04D 15/0088; F04D 15/0066; F04D 15/0245; F04D 3/00; F04D 3/005; F04D 3/02; F04D 13/06; F04D 29/041; F04D 29/22; F04D 29/60; F04D 29/605; F04B 2203/0208; F04B 17/03; F04B 17/046; F04B 17/048; F04B 35/04; F04B 43/04; F04B 43/043

See application file for complete search history.

(56) **References Cited**

U.S. PATENT DOCUMENTS

4,065,235	A	12/1977	Furlong et al.	
5,219,274	A	6/1993	Pawlowski et al.	
5,494,416	A	2/1996	Gergets	
D372,719	S *	8/1996	Jensen	D15/7
5,702,240	A	12/1997	O'Neal et al.	
5,713,723	A	2/1998	Hathaway	
6,210,138	B1	4/2001	Cortez	
6,270,324	B1	8/2001	Sullivan et al.	
6,368,086	B1	4/2002	McInerney	

(Continued)

OTHER PUBLICATIONS

Tuthillcorp, "Now Available: H-Series Heavy Duty Fuel Transfer Pumps", (Uploaded Jul. 27, 2020), Instagram.com, URL:<https://www.instagram.com/p/CDJIe8vFABF/> (Year: 2020).*

Primary Examiner — Calvin E Vansant

Assistant Examiner — Mark T. Philipps

(74) *Attorney, Agent, or Firm* — Barnes & Thornburg LLP

(57) **CLAIM**

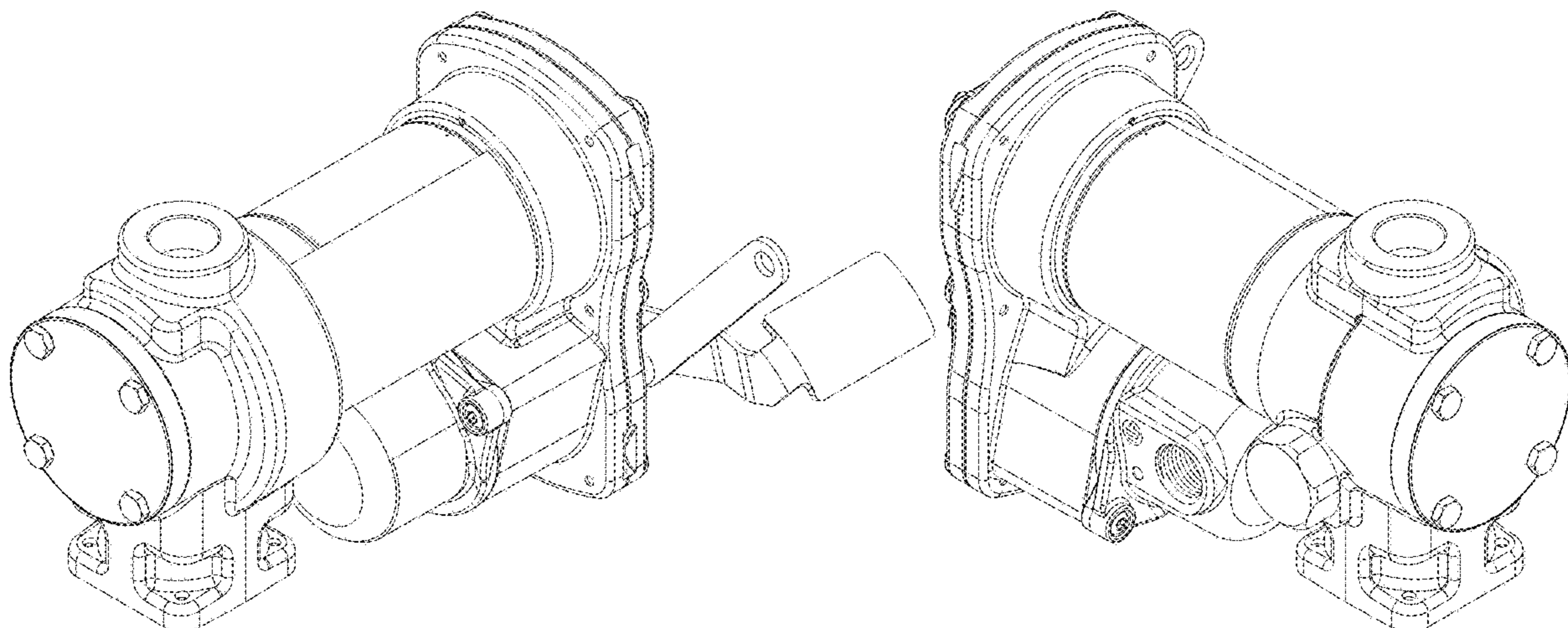
An ornamental design of a fluid pump, as shown and described.

DESCRIPTION

FIG. 1 is a front right-hand perspective view of a design of a fluid pump;
FIG. 2 is a front left-hand perspective view of the fluid pump of FIG. 1;
FIG. 3 is a rear right perspective view of the fluid pump of FIG. 1;
FIG. 4 is a rear left perspective view of the fluid pump of FIG. 1;
FIG. 5 is an underside perspective view of the fluid pump of FIG. 1;
FIG. 6 is a top perspective view of the fluid pump of FIG. 1;
FIG. 7 is a top view of the fluid pump of FIG. 1;
FIG. 8 is a bottom view of the fluid pump of FIG. 1;
FIG. 9 is a front elevational view of the fluid pump of FIG. 1;
FIG. 10 is a rear elevational view of the fluid pump of FIG. 1;
FIG. 11 is a right side elevational view of the fluid pump of FIG. 1; and,
FIG. 12 is a left side elevational view of the fluid pump of FIG. 1.

Any broken lines shown in these drawings are for purposes of illustrating portions of the fluid pump and form no part of the claimed design.

1 Claim, 12 Drawing Sheets



(56)

References Cited

U.S. PATENT DOCUMENTS

D657,800	S *	4/2012	Villagomez, Jr.	D15/7
D667,465	S	9/2012	Headley et al.	
D680,133	S	4/2013	Hoehn et al.	
D684,998	S *	6/2013	Southwood	D15/7
D696,300	S *	12/2013	Arotzarena	D15/7
D725,153	S *	3/2015	Berry	D15/7
D749,138	S *	2/2016	Martinez Sanudo	D15/7
D763,322	S *	8/2016	Haugaard	D15/7
D809,022	S *	1/2018	Luke	D15/7
D815,152	S	4/2018	Berry et al.	
D818,005	S *	5/2018	Meda	D15/7
10,418,878	B2	9/2019	Berry	
D896,845	S *	9/2020	Kjaerulff	D15/7
2015/0176581	A1 *	6/2015	Hofseth	F04C 7/00 417/68

* cited by examiner

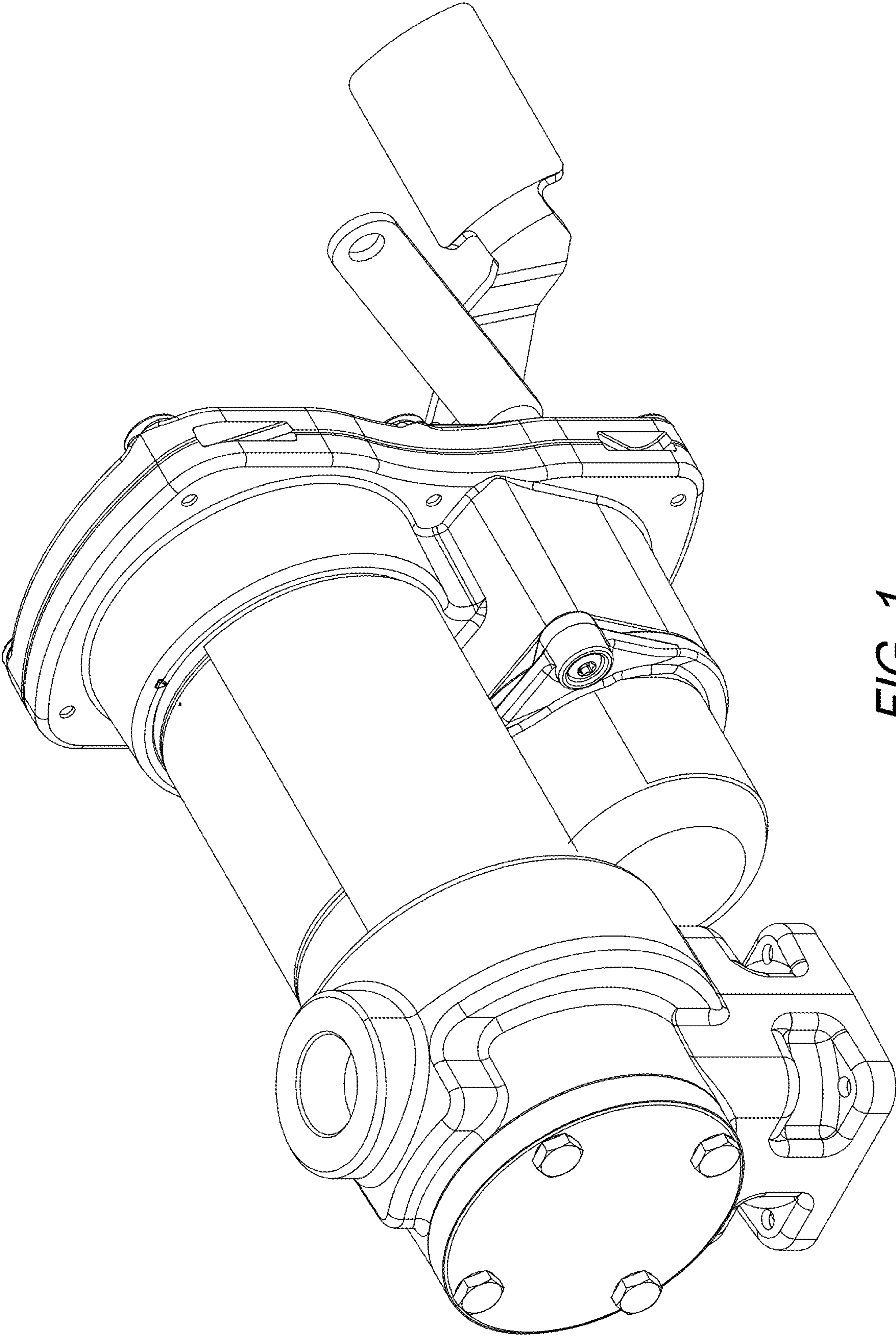


FIG. 1

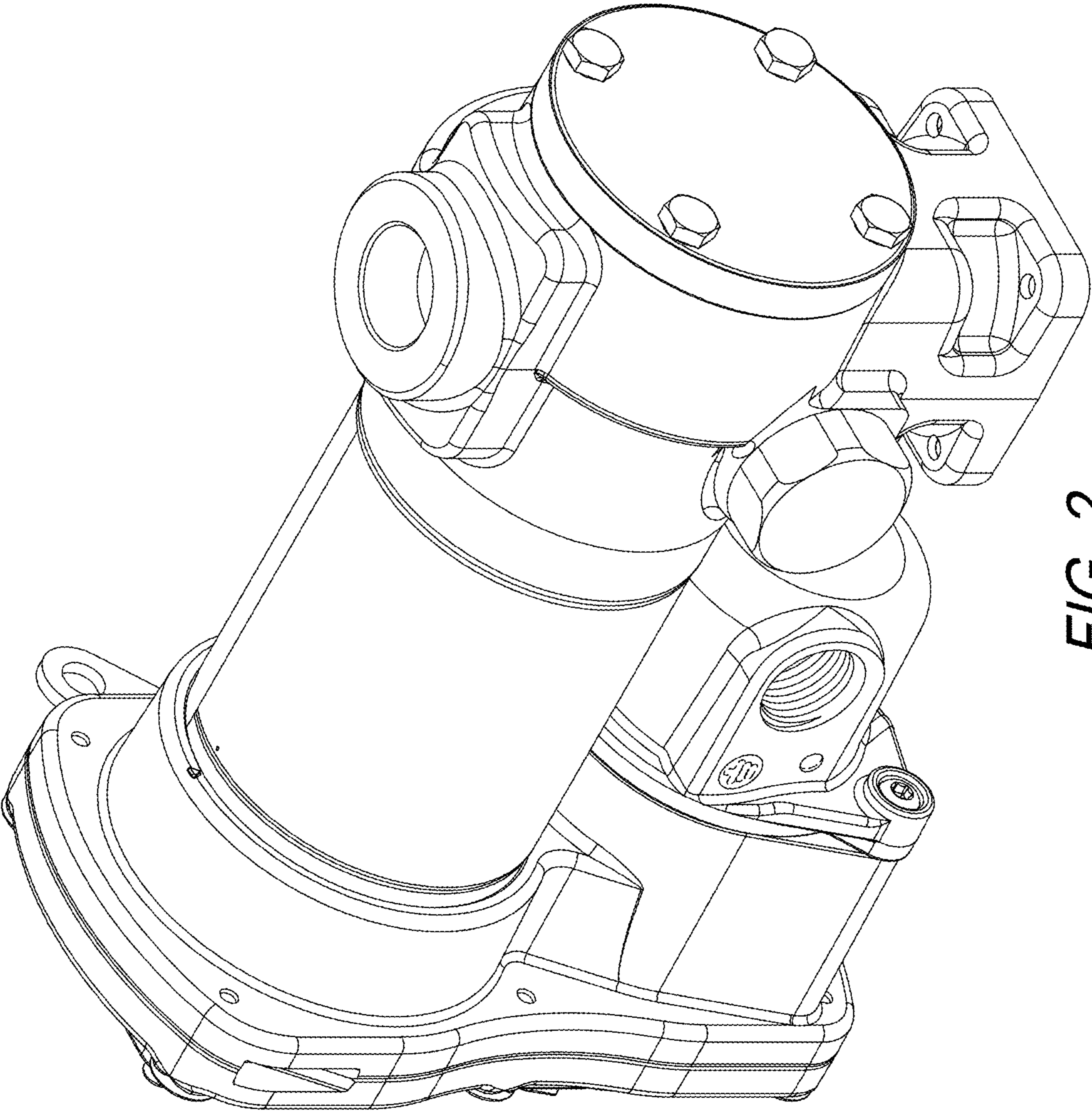


FIG. 2

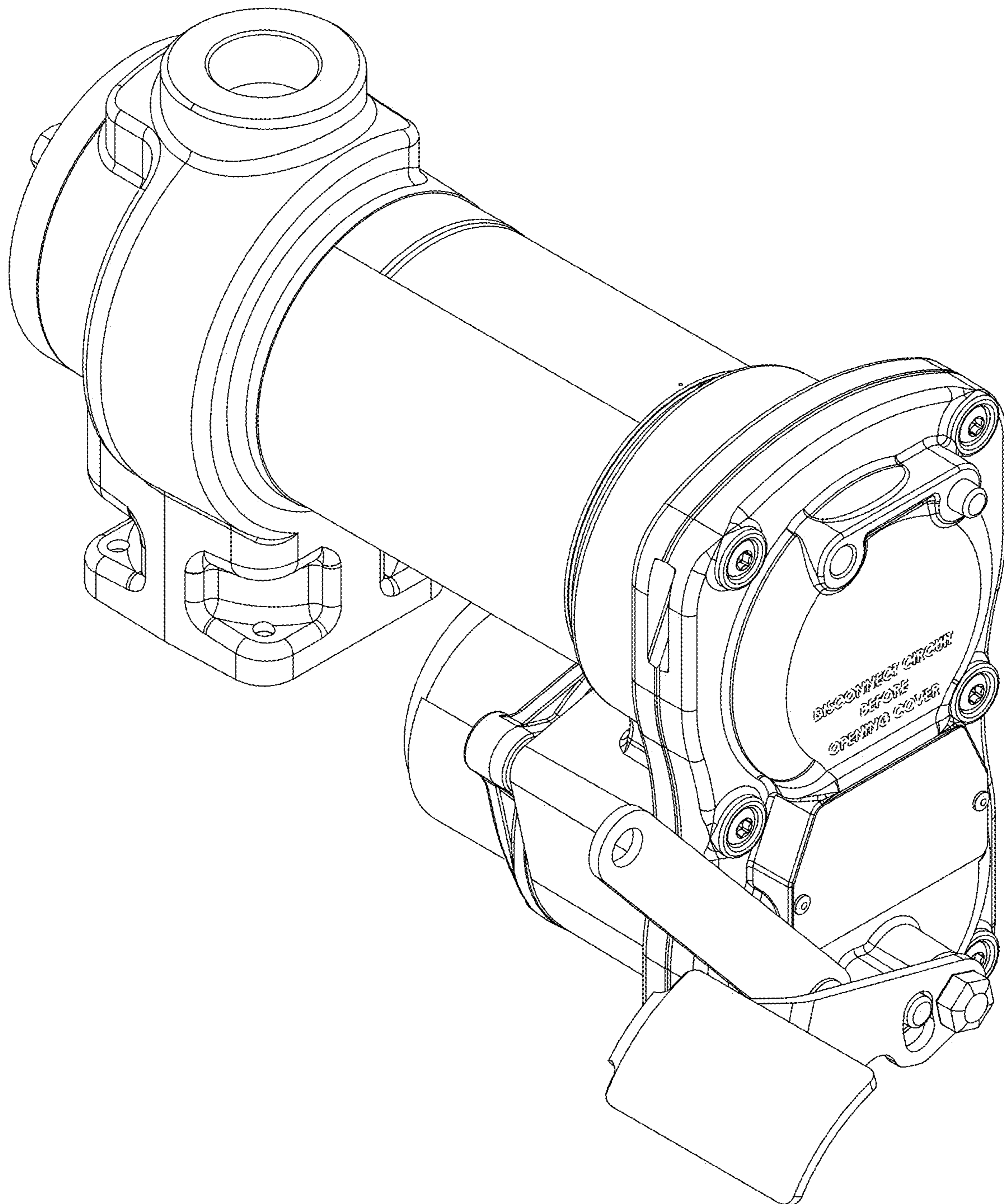


FIG. 3

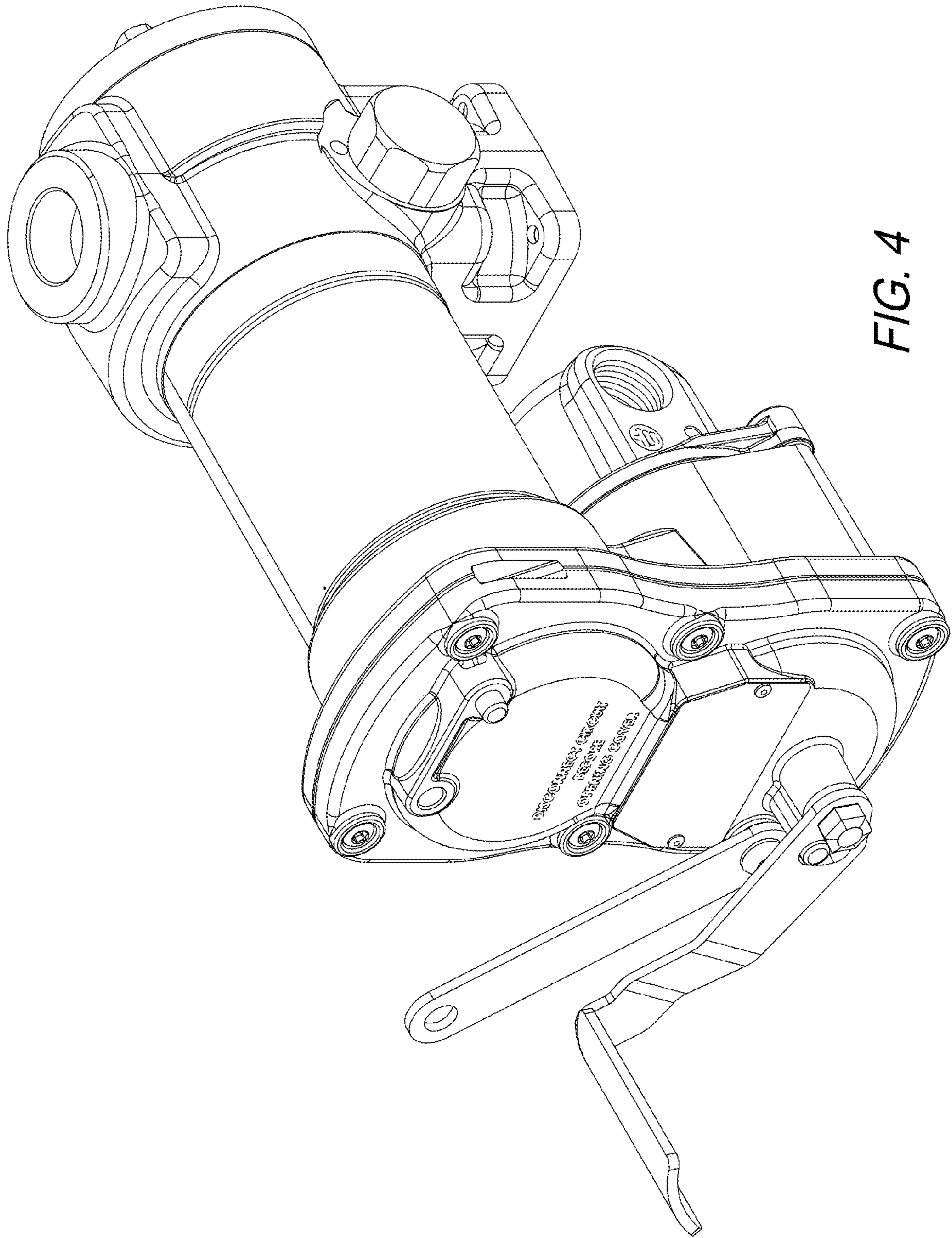


FIG. 4

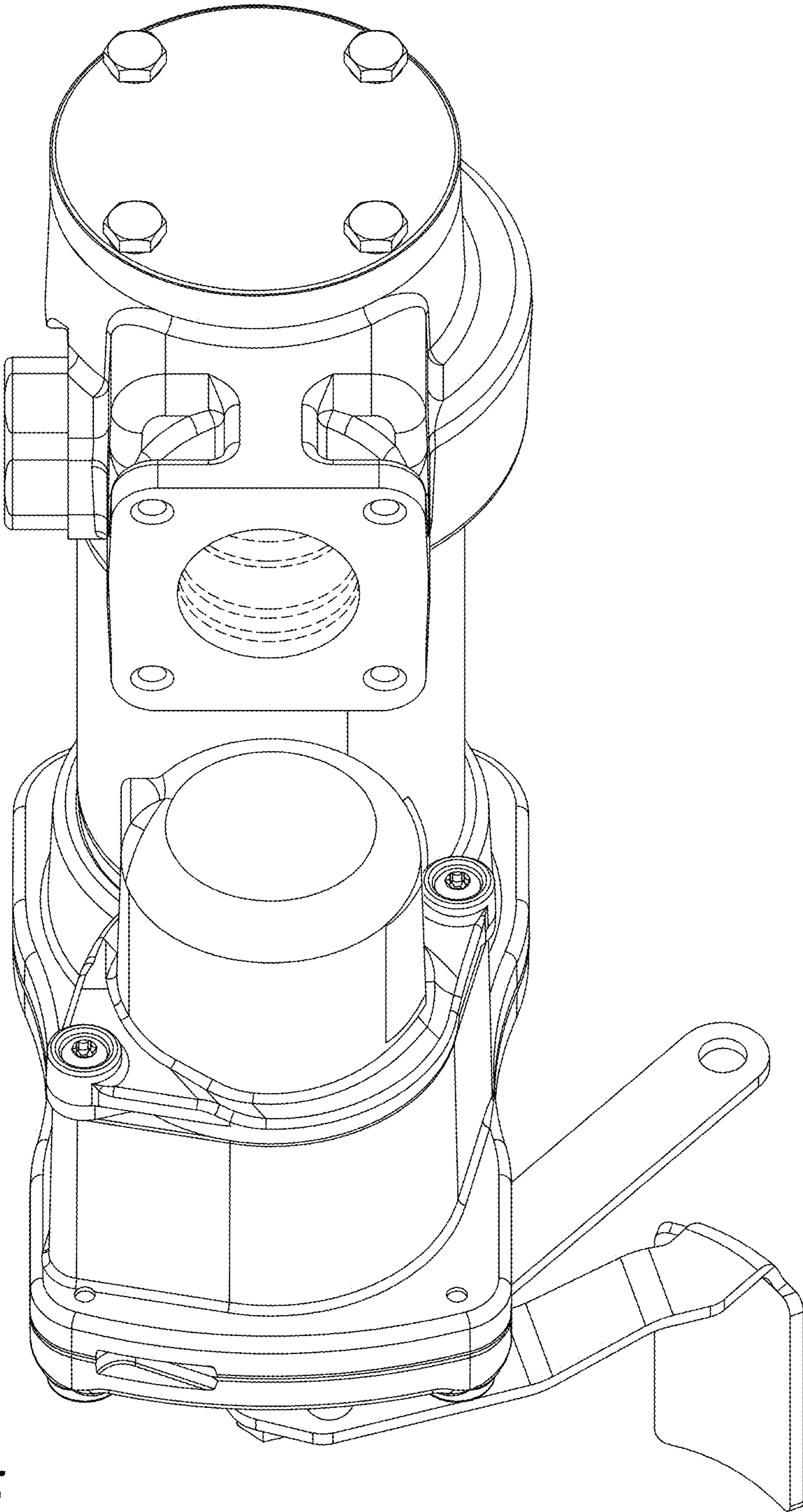


FIG. 5

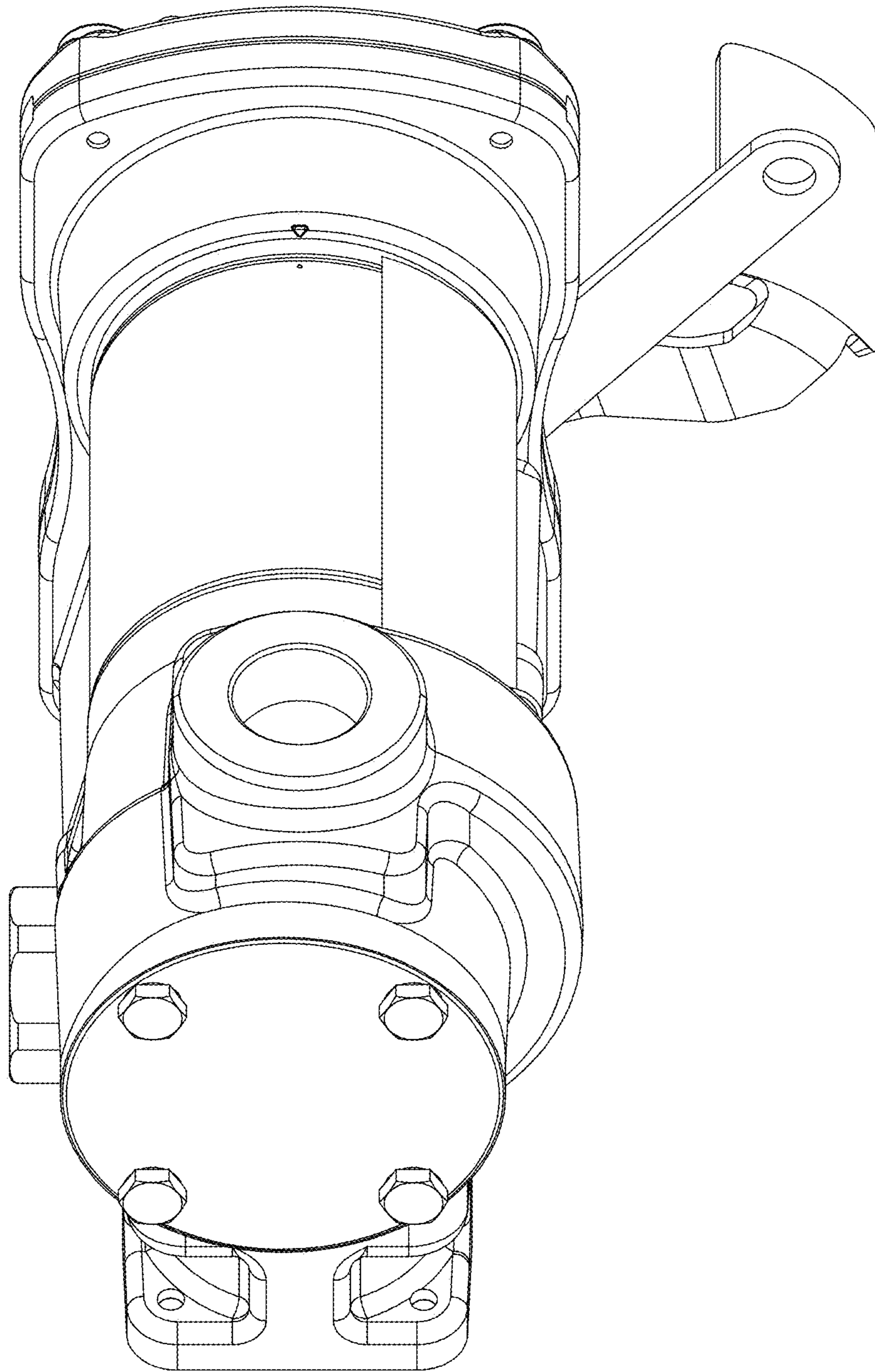


FIG. 6

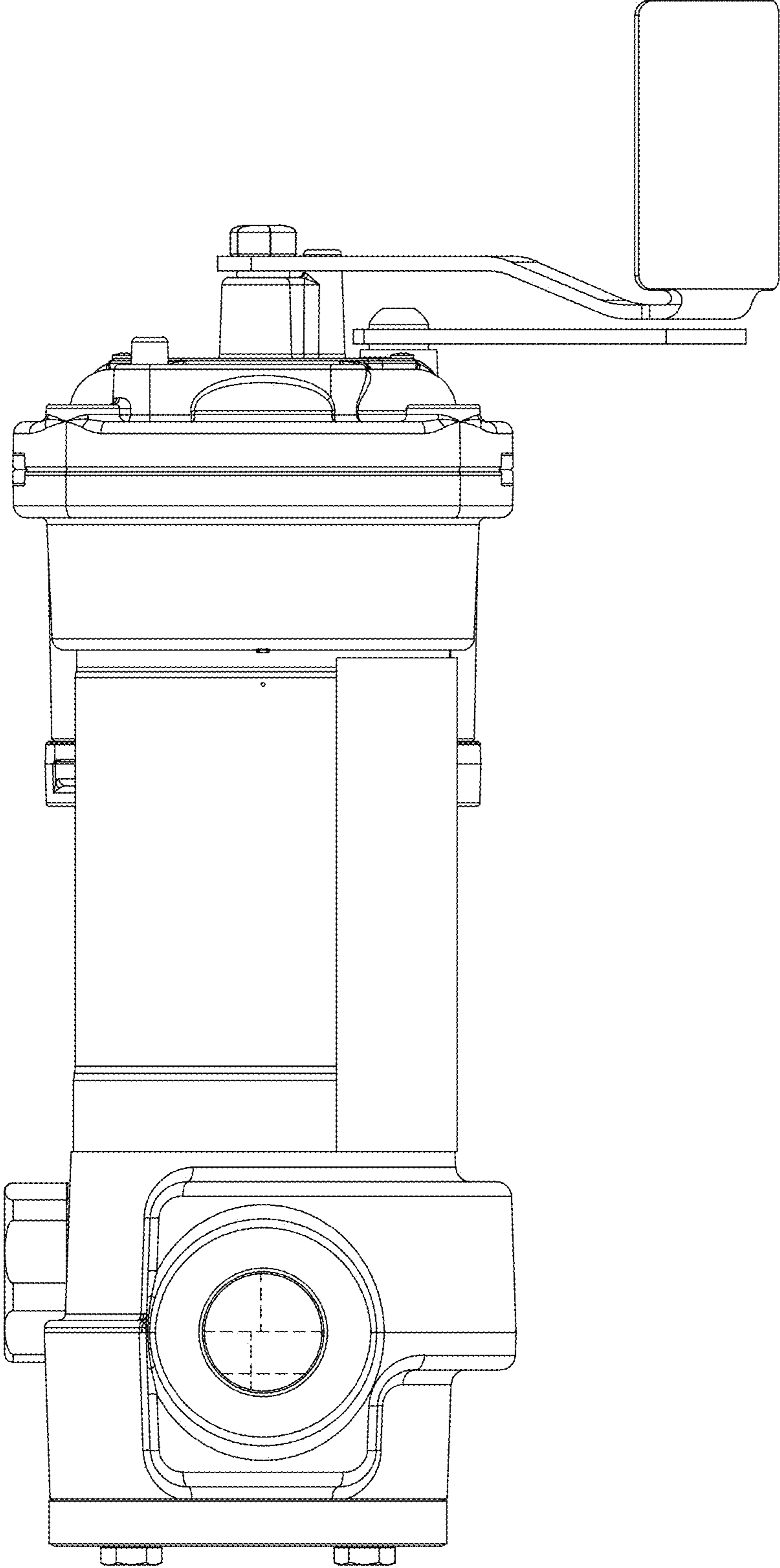


FIG. 7

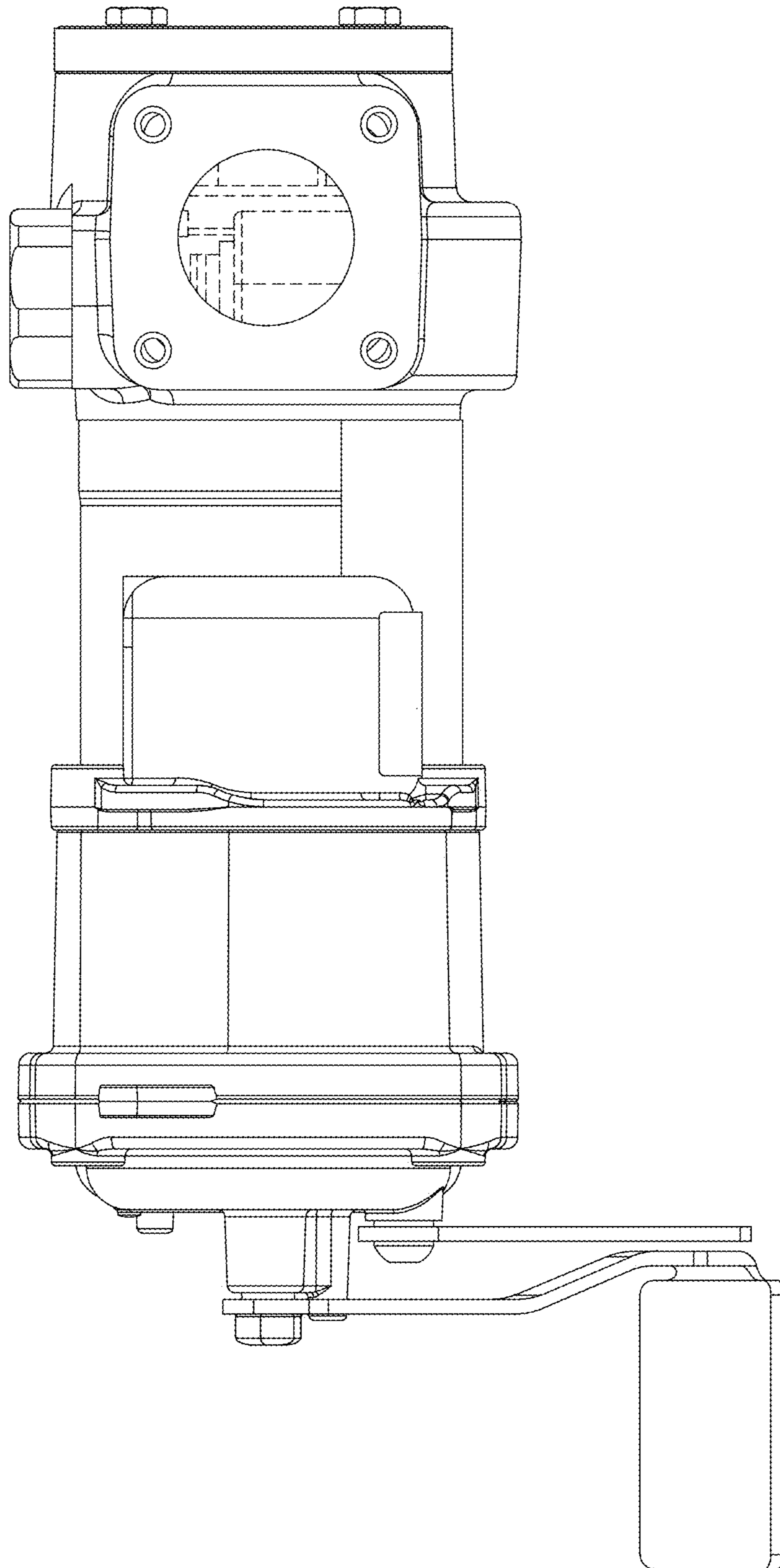


FIG. 8

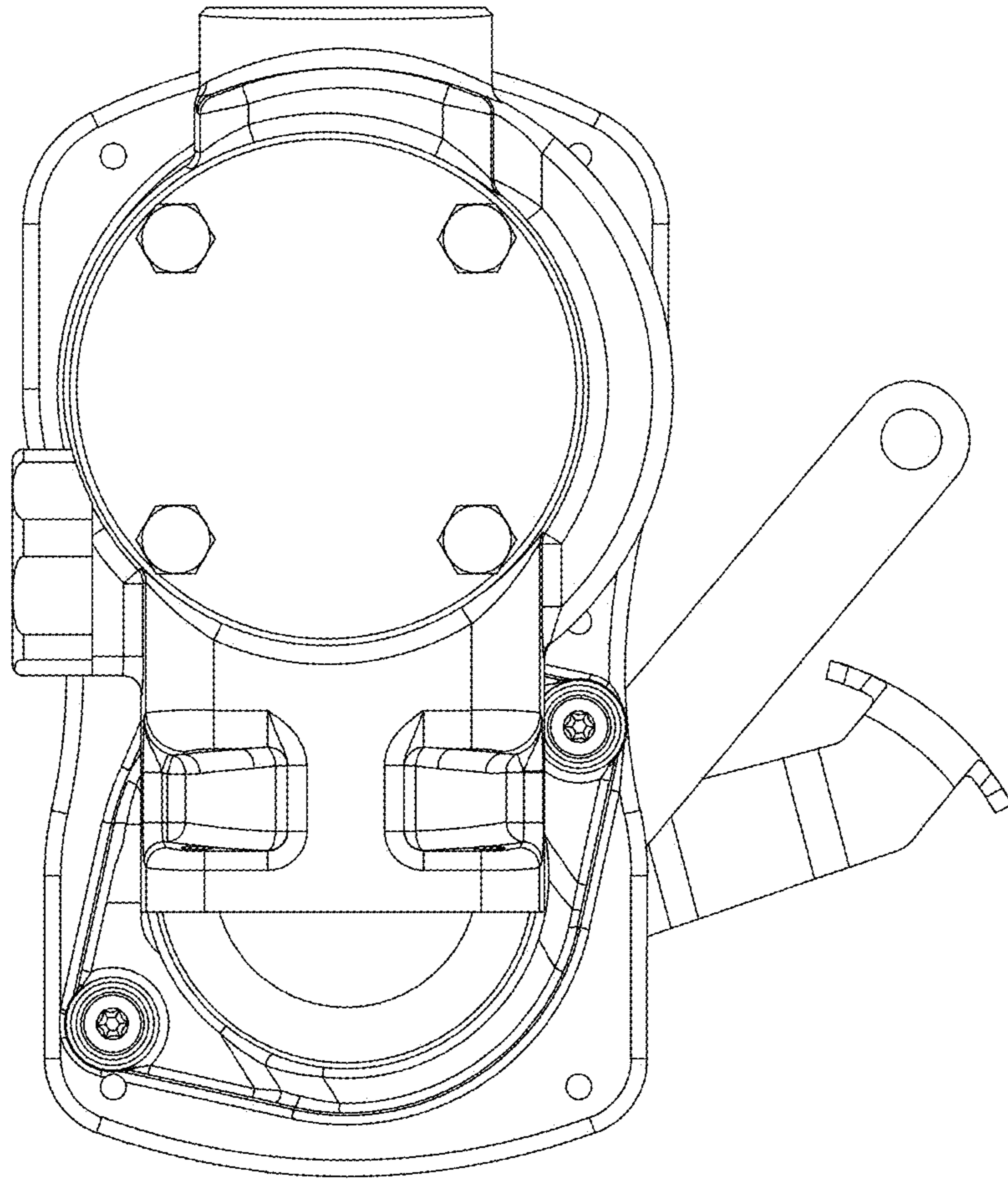


FIG. 9

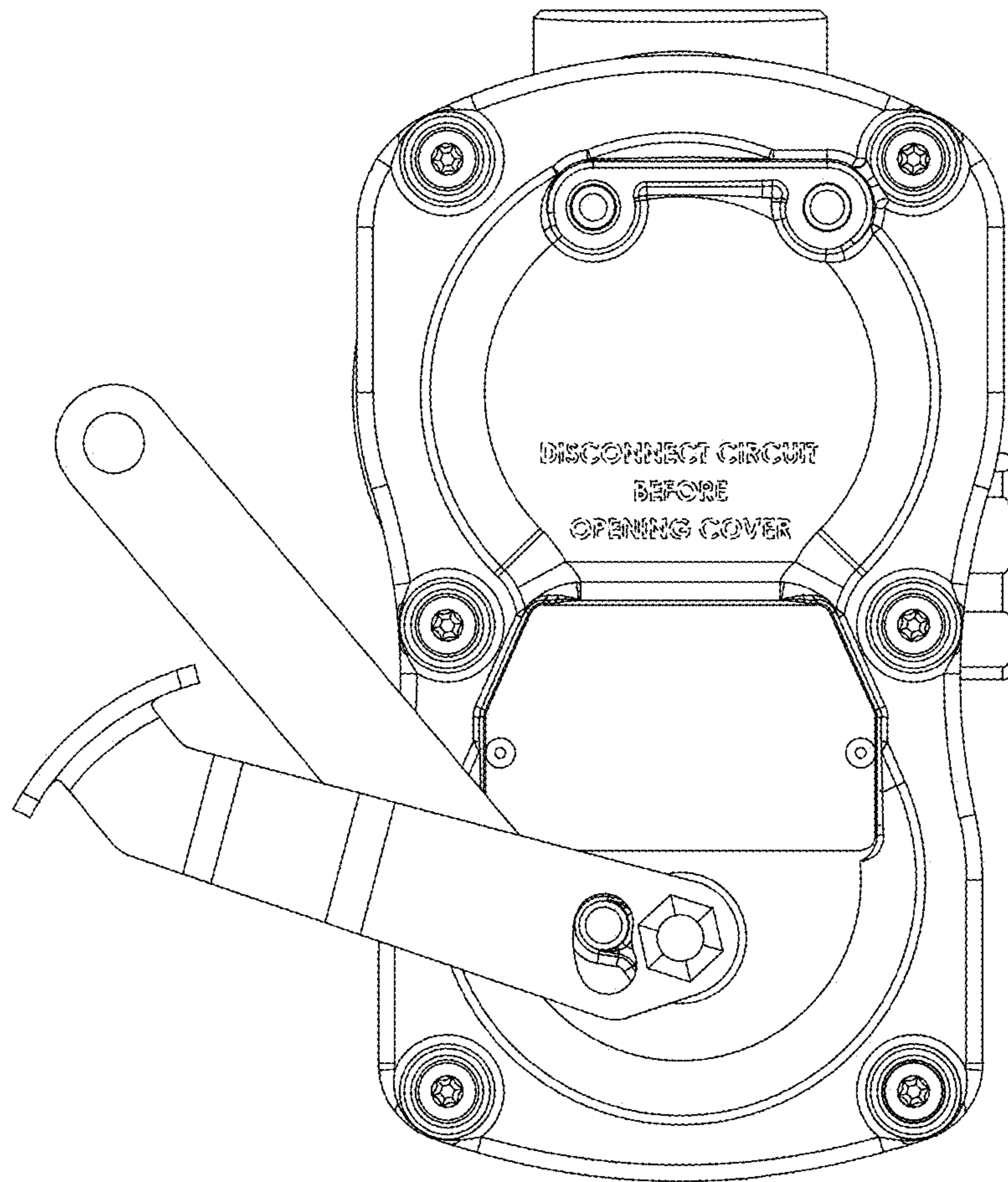


FIG. 10

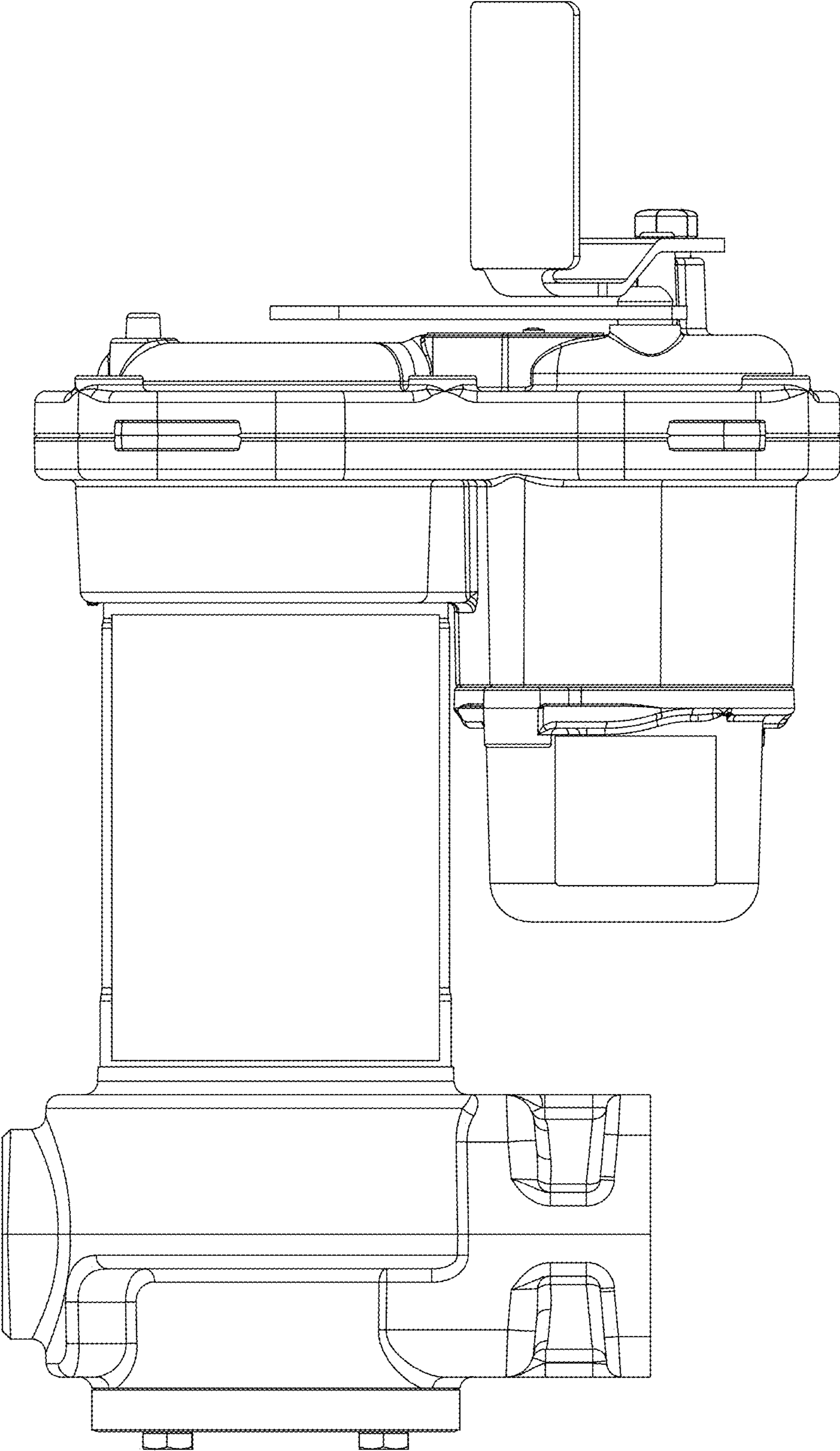


FIG. 11

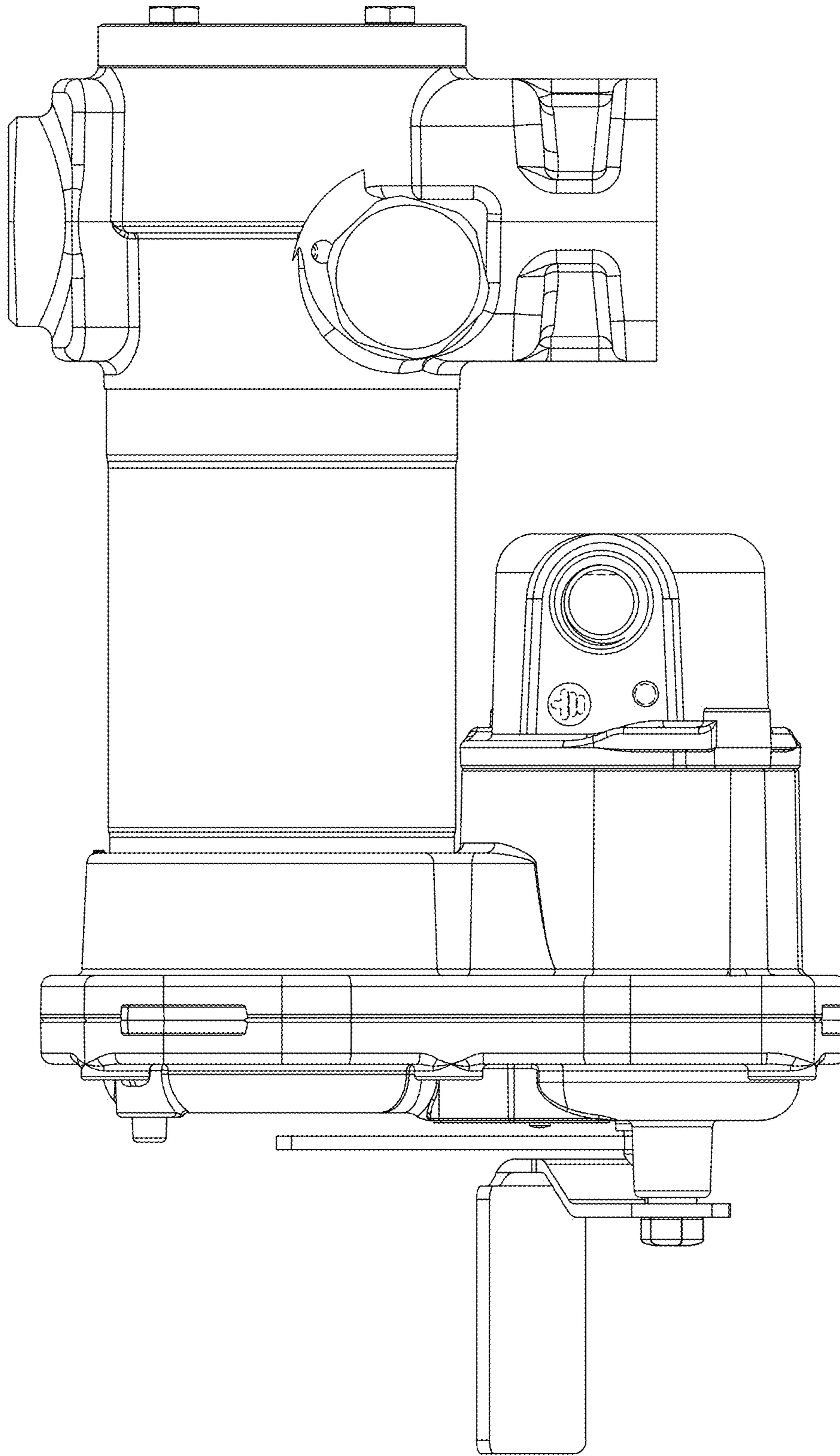


FIG. 12