



US00D949204S

(12) **United States Design Patent** (10) **Patent No.:** **US D949,204 S**  
**Alexander et al.** (45) **Date of Patent:** **\*\* Apr. 19, 2022**

(54) **FRAME**

(71) Applicant: **FNA Group, Inc.**, Pleasant Prairie, WI (US)

(72) Inventors: **Chris Alexander**, Park Ridge, IL (US); **William Alexander**, Elmhurst, IL (US); **Yeng Her**, Kenosha, WI (US); **Barton Steven Wolf**, Brookfield, WI (US); **Ryan Daniel Sherwood**, La Grange, IL (US)

(73) Assignee: **FNA Group, Inc.**, Pleasant Prairie, WI (US)

(\*\*) Term: **15 Years**

(21) Appl. No.: **29/751,397**

(22) Filed: **Sep. 21, 2020**

(51) **LOC (13) Cl.** ..... **15-02**

(52) **U.S. Cl.**  
USPC ..... **D15/9; D15/7**

(58) **Field of Classification Search**  
USPC ..... D15/7-9, 141, 144; D34/20, 21, 27; D13/103, 107

CPC ..... F04B 41/00; F04B 41/02; F04B 41/04; F04B 41/06; F04B 35/00; F04B 35/06; F04B 35/002; F04B 35/86; F04B 49/00; F04B 17/03; F04B 17/06; F04B 33/005; F04B 33/00; F04B 33/02; F04B 25/005; F04B 25/00; F04B 25/02; F04B 25/04  
See application file for complete search history.

(56) **References Cited**

**U.S. PATENT DOCUMENTS**

D393,127 S \* 3/1998 Vidmar ..... 280/47.131  
D454,357 S \* 3/2002 Diels ..... D15/7  
D472,519 S \* 4/2003 Buck ..... D13/114  
D575,732 S \* 8/2008 Wu ..... D13/114  
D597,944 S \* 8/2009 Takamura ..... D13/116

D618,707 S \* 6/2010 Schuetz ..... D15/7  
D638,794 S \* 5/2011 Kato ..... D13/116  
D644,174 S \* 8/2011 Fujiki ..... D13/116  
D664,996 S \* 8/2012 Hsiao ..... D15/9  
D668,267 S \* 10/2012 Hawkins ..... D15/7  
D675,984 S \* 2/2013 Shokrzadeh ..... D13/122  
D704,641 S \* 5/2014 Shokrzadeh ..... D13/116  
D746,229 S \* 12/2015 Yamamura ..... D13/116  
D797,046 S \* 9/2017 Wang ..... D13/116  
D818,955 S \* 5/2018 Yuzuriha ..... D13/113  
D933,606 S \* 10/2021 Alexander ..... D13/122

**OTHER PUBLICATIONS**

Simpson, 2 in. Semi-Trash Water Pump, Kohler Engine, 71006, (site visited Nov. 18, 2021), Tractor Supply Company Website, URL: <<https://www.tractorsupply.com/tsc/product/simpson-2-in-semi-trash-pump-with-briggs-stratton-engine-71002>> (Year: 2021).\*

\* cited by examiner

*Primary Examiner* — Calvin E Vansant

*Assistant Examiner* — Mark T. Philipps

(74) *Attorney, Agent, or Firm* — Hanley, Flight & Zimmerman, LLC

(57) **CLAIM**

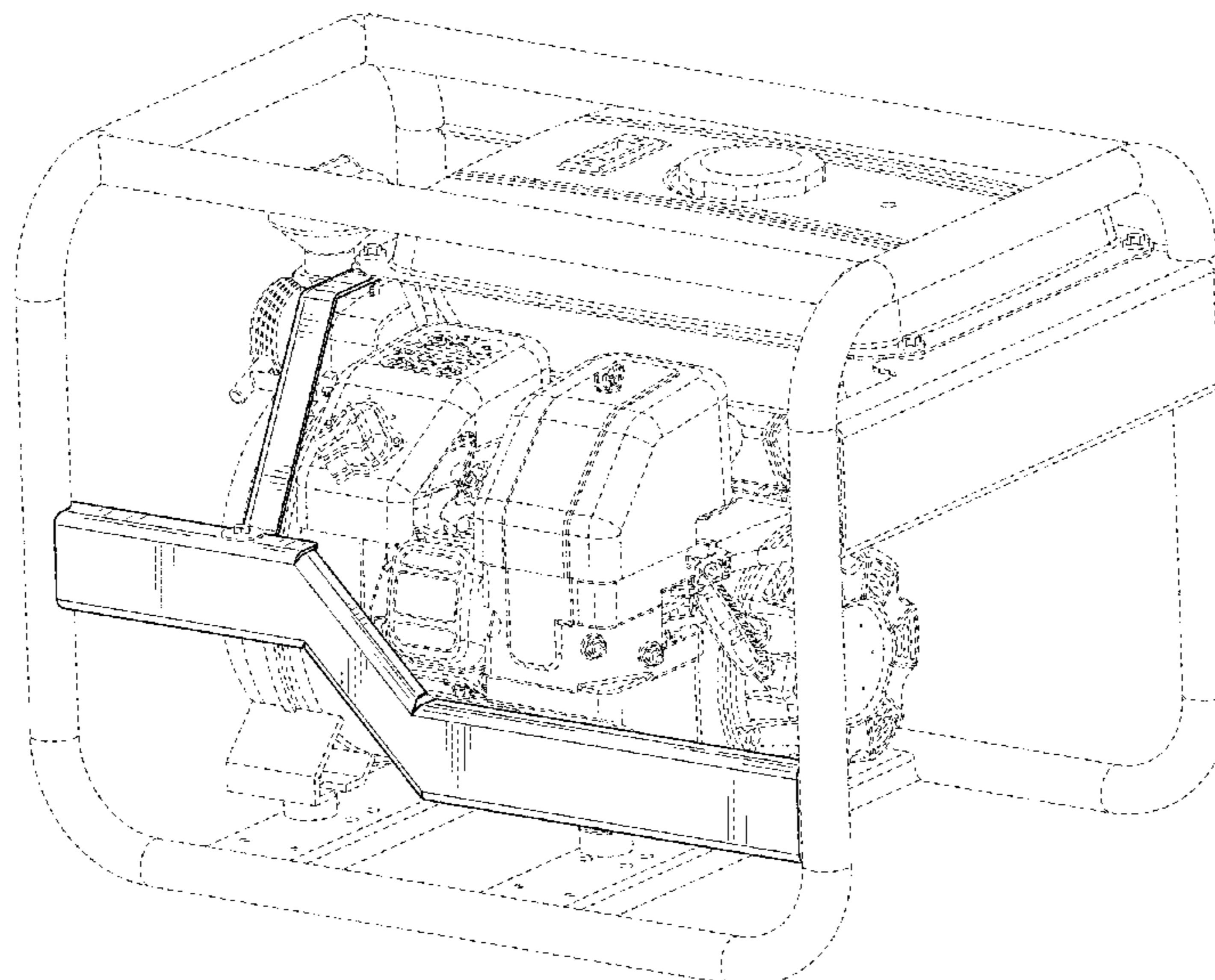
The ornamental design for a “frame”, as shown and described.

**DESCRIPTION**

FIG. 1 is a front, right perspective view of a frame. FIG. 2 is a front view of the frame of FIG. 1. FIG. 3 is a rear view of the frame of FIG. 1. FIG. 4 is a left side view of the frame of FIG. 1; and, FIG. 5 is a top view of the frame of FIG. 1. The bottom and right views of the frame of FIG. 1 form no part of the claimed design.

The features shown in dashed or broken lines depict portions of the article that form no part of the claimed design.

**1 Claim, 5 Drawing Sheets**



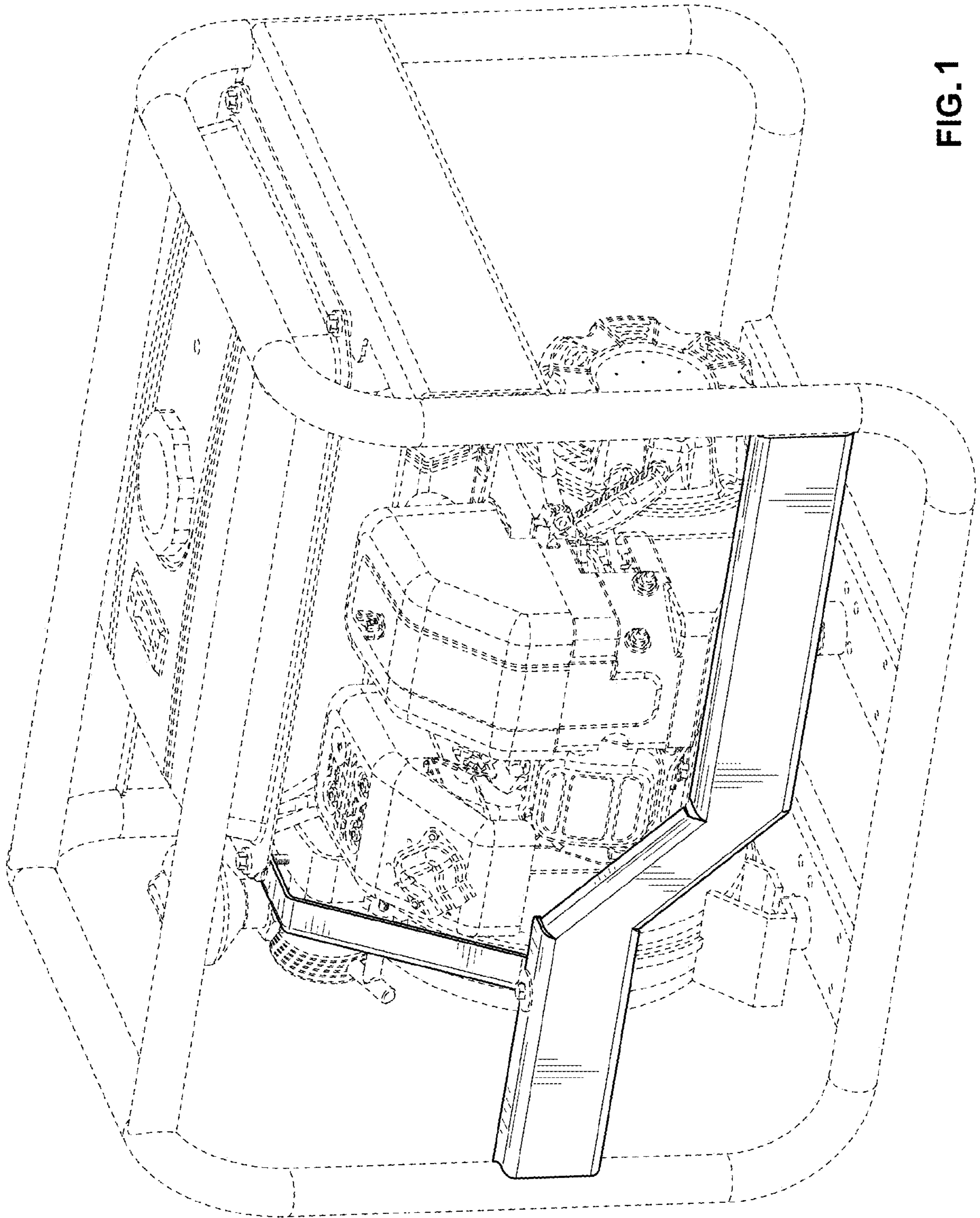


FIG. 1



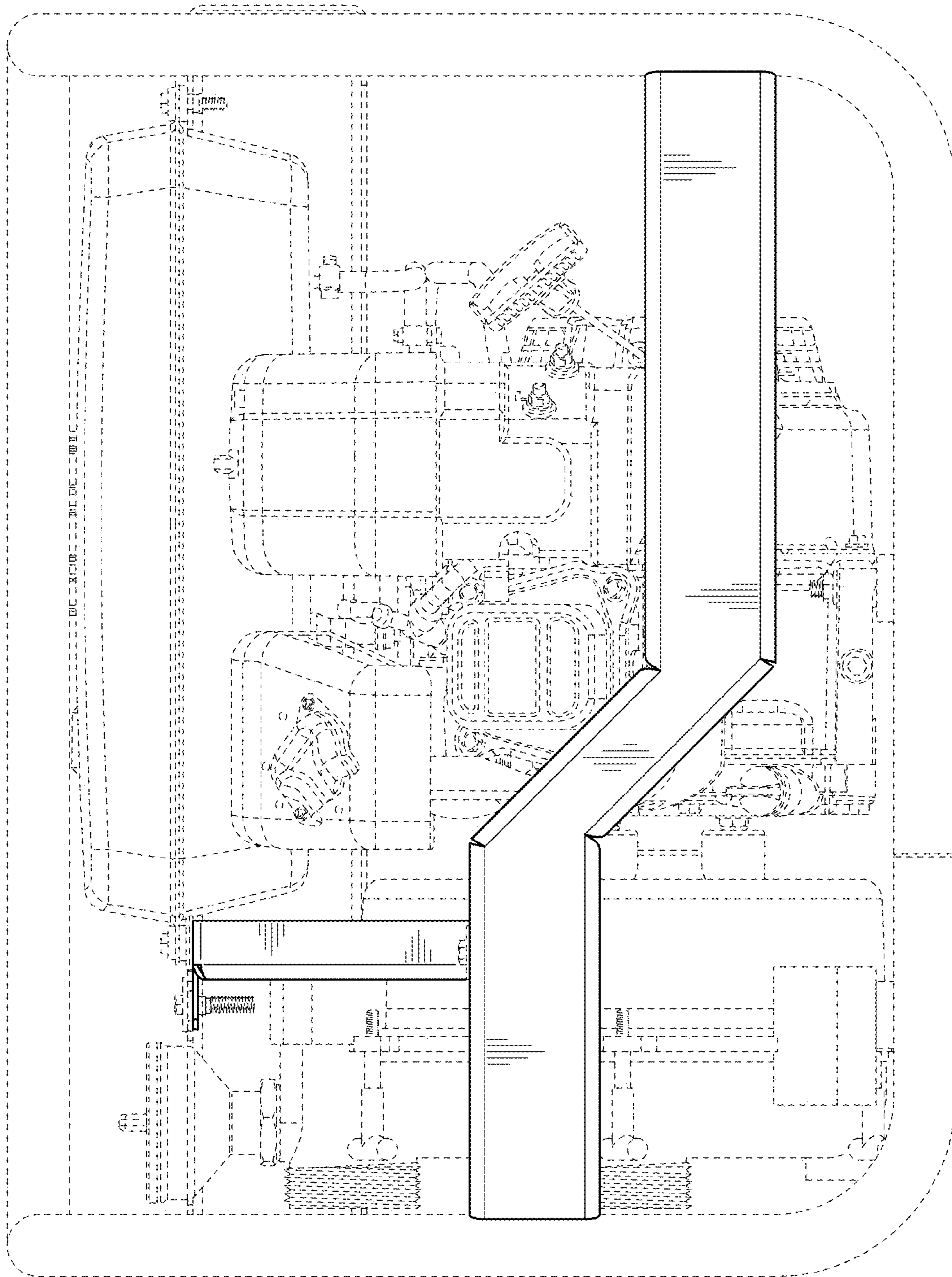


FIG. 2

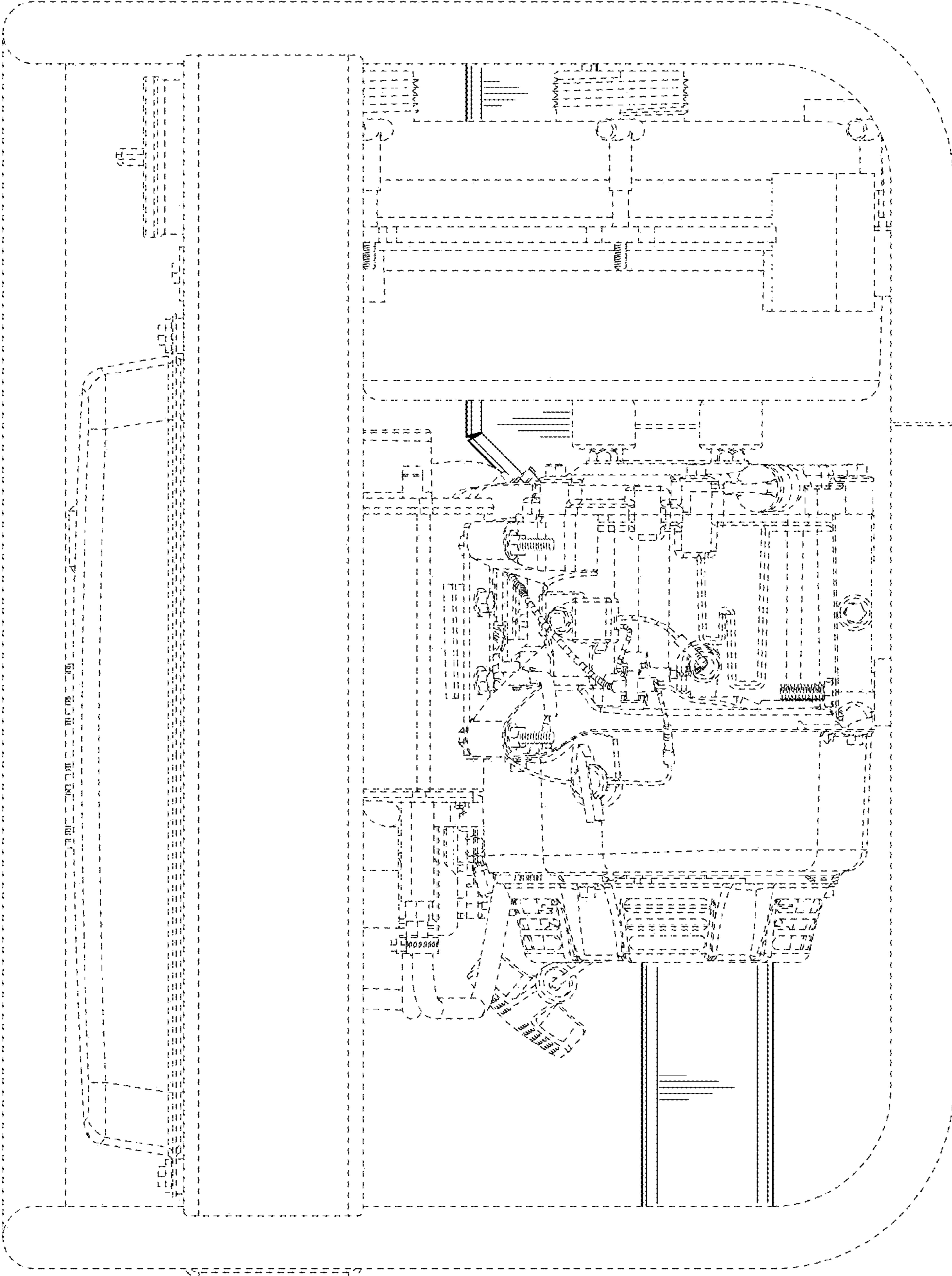


FIG. 3

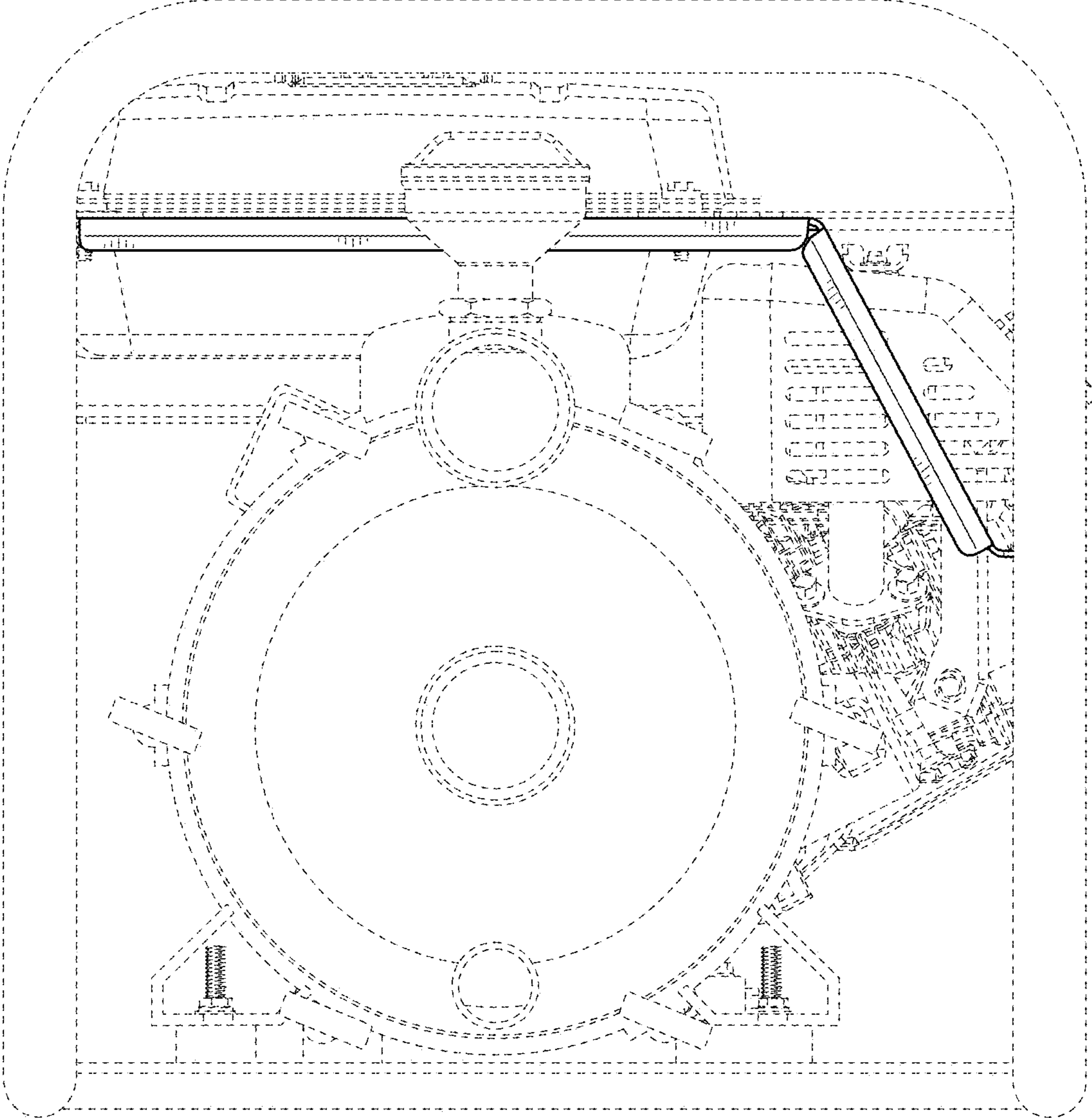


FIG. 4



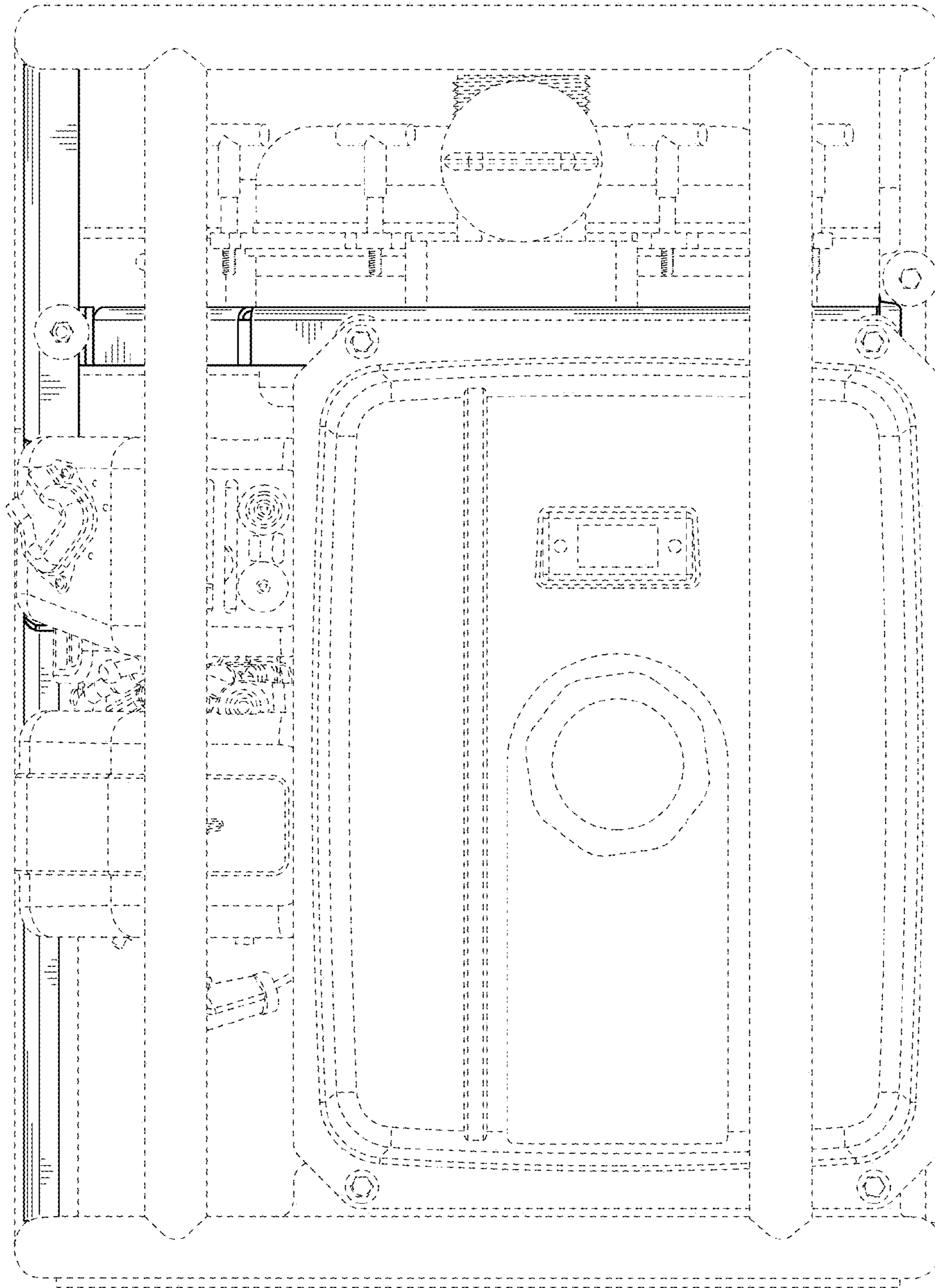


FIG. 5