



US00D949203S

(12) **United States Design Patent**
Qiao

(10) **Patent No.:** **US D949,203 S**

(45) **Date of Patent:** **** Apr. 19, 2022**

(54) **AIR COMPRESSOR**

(71) Applicant: **INTRADIN (HUZHOU) PRECISION TECHNOLOGY CO., LTD.**, Zhejiang (CN)

(72) Inventor: **Xuetao Qiao**, Zhejiang (CN)

(73) Assignee: **INTRADIN (HUZHOU) PRECISION TECHNOLOGY CO., LTD.**, Huzhou (CN)

(**) Term: **15 Years**

(21) Appl. No.: **29/757,705**

(22) Filed: **Nov. 9, 2020**

(51) **LOC (13) Cl.** **D15-02**

(52) **U.S. Cl.**

USPC **D15/7; D15/9**

(58) **Field of Classification Search**

USPC **D13/103, 107; D15/7-9**

CPC **F04B 41/00; F04B 41/02; F04B 41/04;**

F04B 41/06; F04B 35/00; F04B 35/06;

F04B 35/002; F04B 35/86; F04B 31/00;

F04B 49/00; F04B 25/00; F04B 25/005;

F04B 25/02; F04B 25/04; F04B 17/03;

F04B 17/06; F04B 33/005; F04B 33/00;

F04B 33/02

See application file for complete search history.

(56) **References Cited**

U.S. PATENT DOCUMENTS

D588,612 S * 3/2009 Steinfelds D15/7

D667,467 S * 9/2012 Kosugi D15/9

D668,683 S * 10/2012 Bal D15/9

D749,643 S * 2/2016 Craig D15/9

D776,168 S * 1/2017 Bal D15/9

(Continued)

FOREIGN PATENT DOCUMENTS

EM 008263230-0001 * 11/2020

OTHER PUBLICATIONS

SuperHandy, SuperHandy Air Compressor Cordless 2 Gal 135 PSI 10Amp 3/4eHP Portable Tire Inflator, (dated first available Jan. 8, 2021), Amazon.com, URL:<https://www.amazon.com/SuperHandy-Compressor-Cordless-Mechanical-Pneumatic/dp/B08SGDMRLJ> (Year: 2021).*

(Continued)

Primary Examiner — Sheryl Lane

Assistant Examiner — Mark T. Philipps

(57) **CLAIM**

The ornamental design for a air compressor, as shown and described.

DESCRIPTION

FIG. 1 is a perspective view of a air compressor showing our new design;

FIG. 2 is another perspective view thereof;

FIG. 3 is a front view thereof;

FIG. 4 is a back view thereof;

FIG. 5 is a left view thereof;

FIG. 6 is a right view thereof;

FIG. 7 is a top view thereof;

FIG. 8 is a bottom view thereof;

FIG. 9 is a partially enlarged view of FIG. 1;

FIG. 10 is another partially enlarged view of FIG. 1;

FIG. 11 is a partially enlarged view of FIG. 3;

FIG. 12 is another partially enlarged view of FIG. 3;

FIG. 13 is a partially enlarged view of FIG. 5;

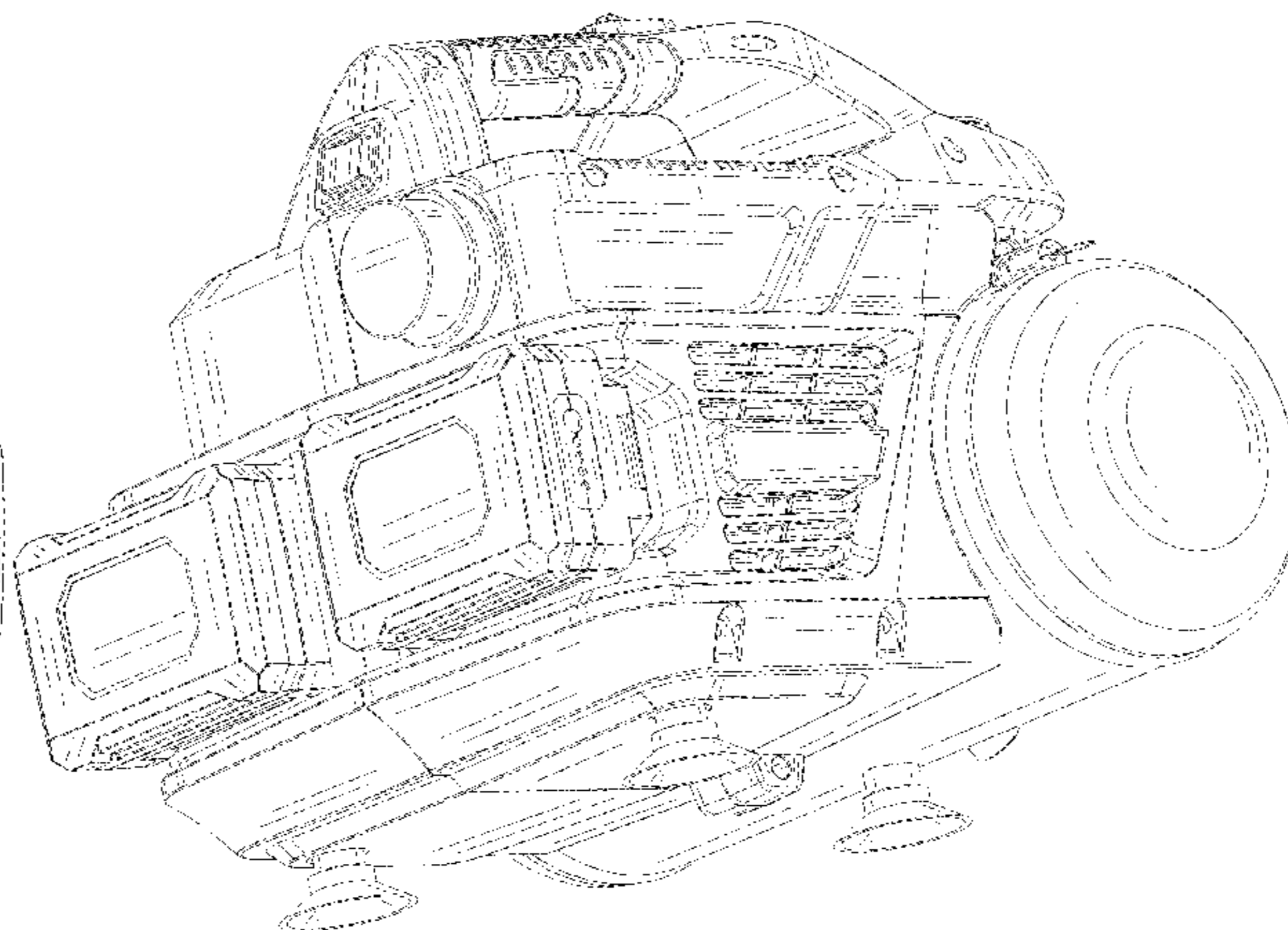
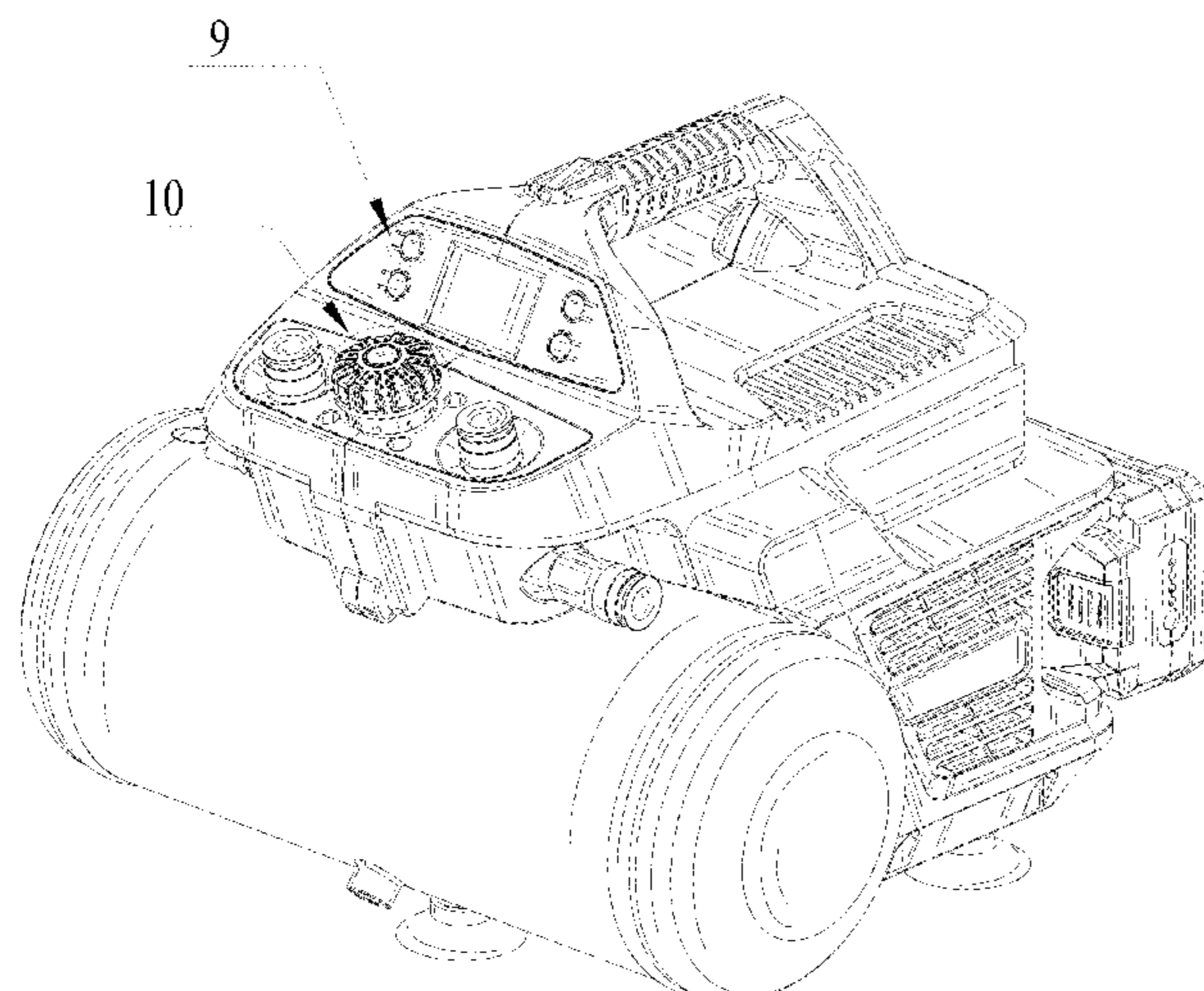
FIG. 14 is a partially enlarged view of FIG. 6; and,

FIG. 15 is another partially enlarged view of FIG. 6.

The broken lines shown on the drawings depict portions of the air compressor that form no part of the claimed design.

The broken lines in FIGS. 1, 3, 5, 6, and 9-15, which depict the call out arrows and define the bounds of the enlargement areas, form no part of the claimed design.

1 Claim, 15 Drawing Sheets



(56)

References Cited

U.S. PATENT DOCUMENTS

D792,472 S * 7/2017 Kirkpatrick D15/7
D880,531 S * 4/2020 Gao D15/9
D898,776 S * 10/2020 Gao D15/9
D917,579 S * 4/2021 Nishido D15/9
2018/0320677 A1* 11/2018 Thackery F04B 41/02

OTHER PUBLICATIONS

FCC ID.io, "LKB01 Cordless Air Compressor External Photos Exterior Photographs Intradin (Shanghai) Machinery", (date available Jul. 9, 2021), FCC ID.io website, URL:<<https://fccid.io/document.php?id=5333063>> (Year: 2021).*

* cited by examiner

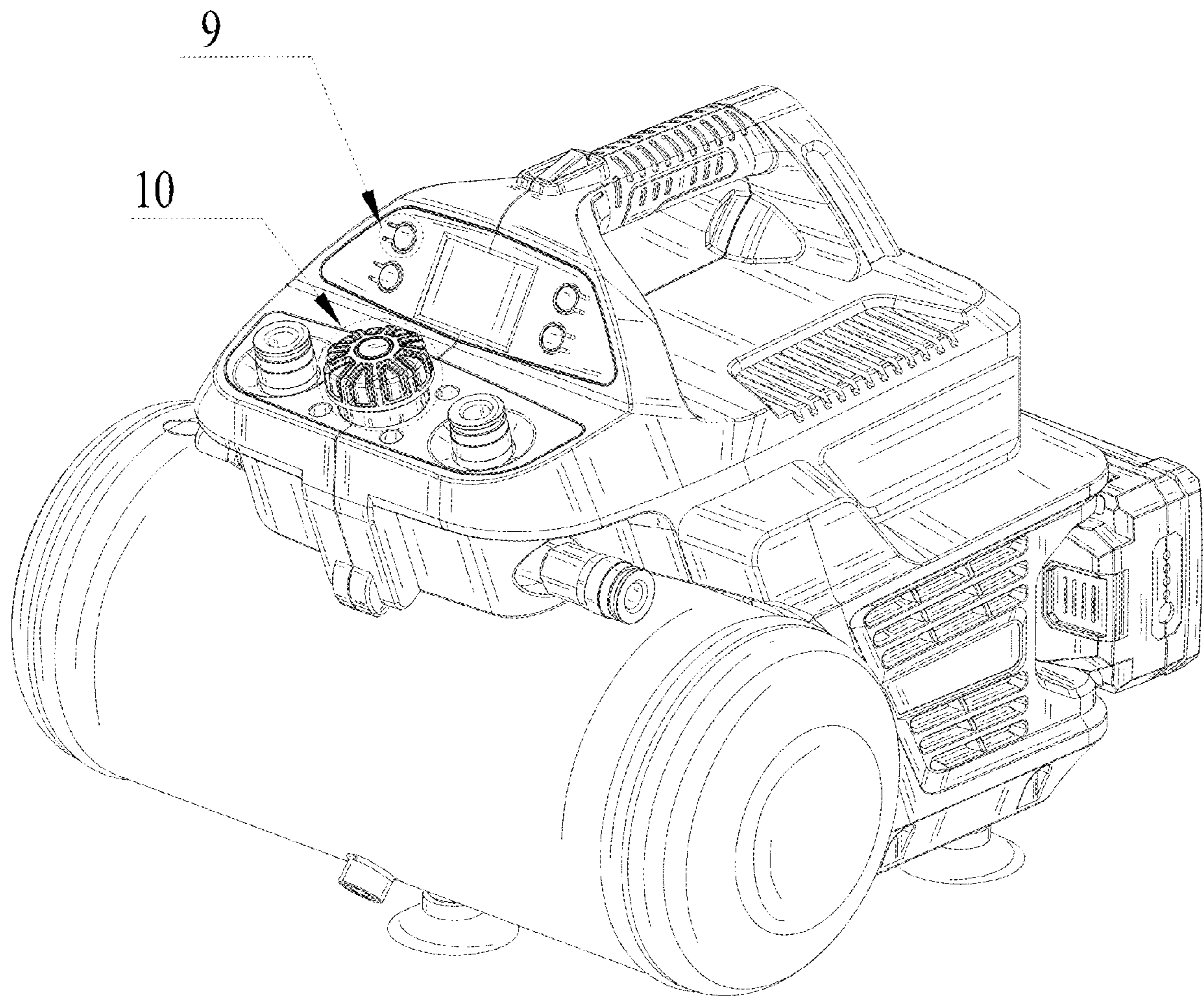


FIG. 1

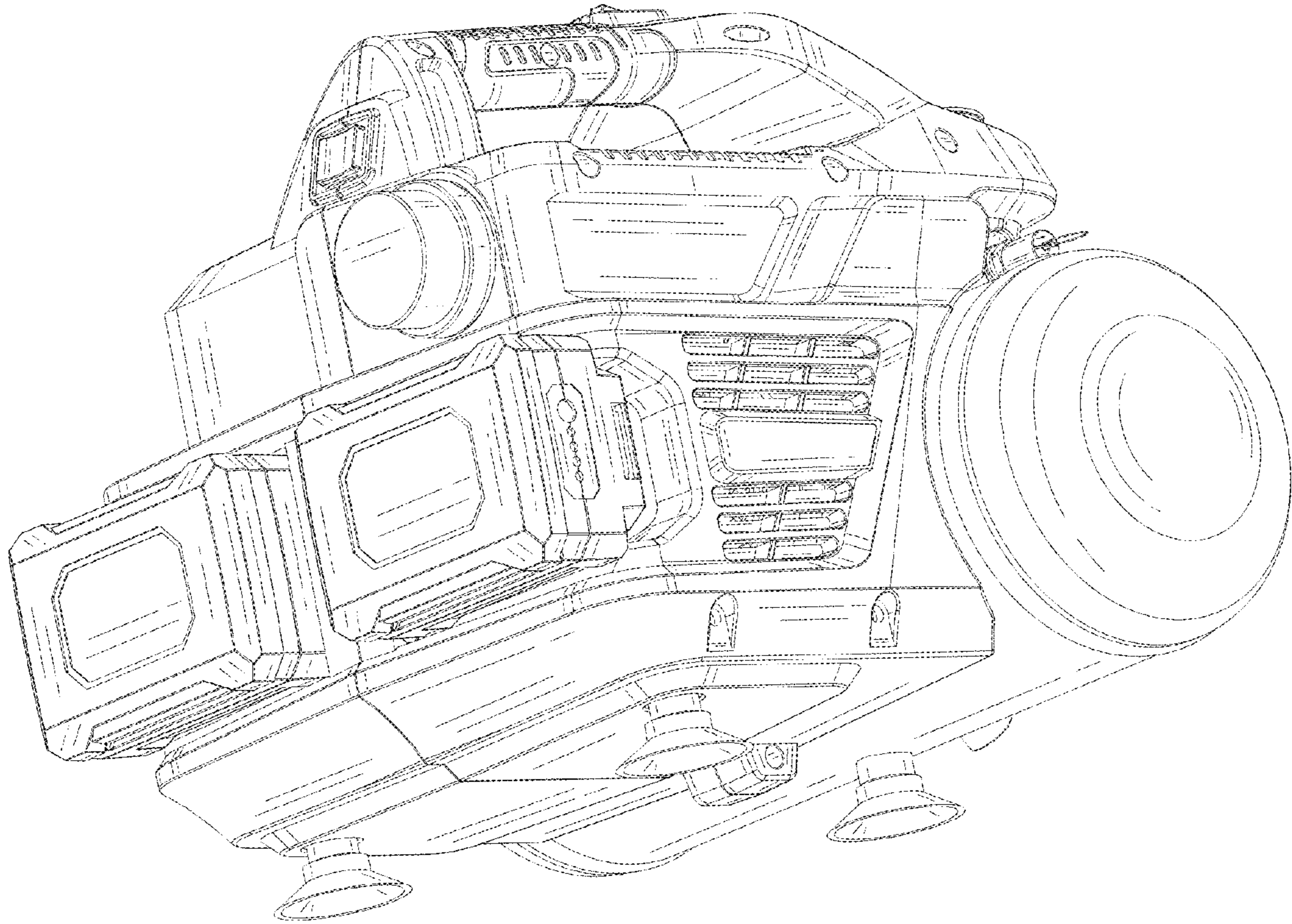


FIG. 2

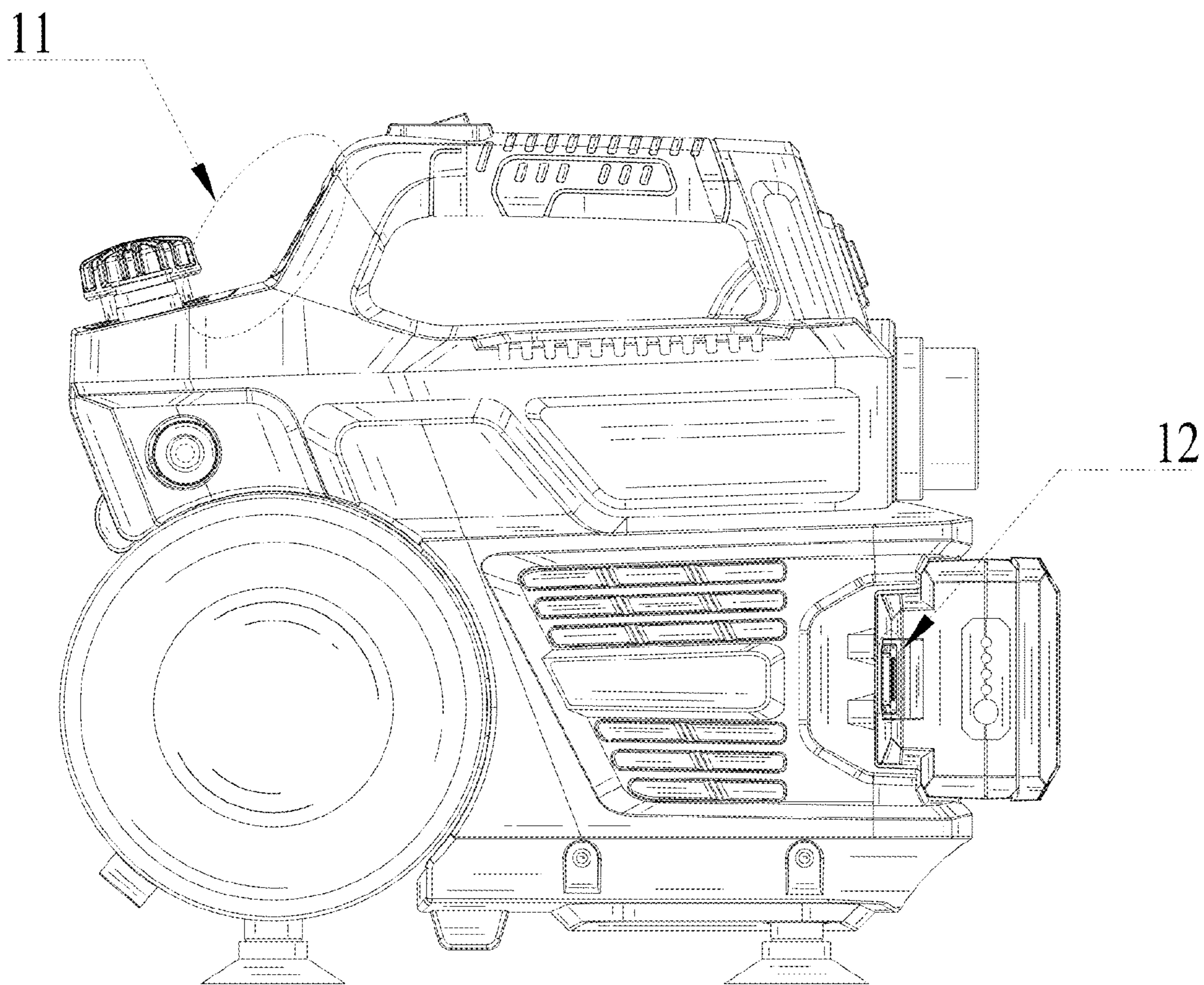


FIG. 3

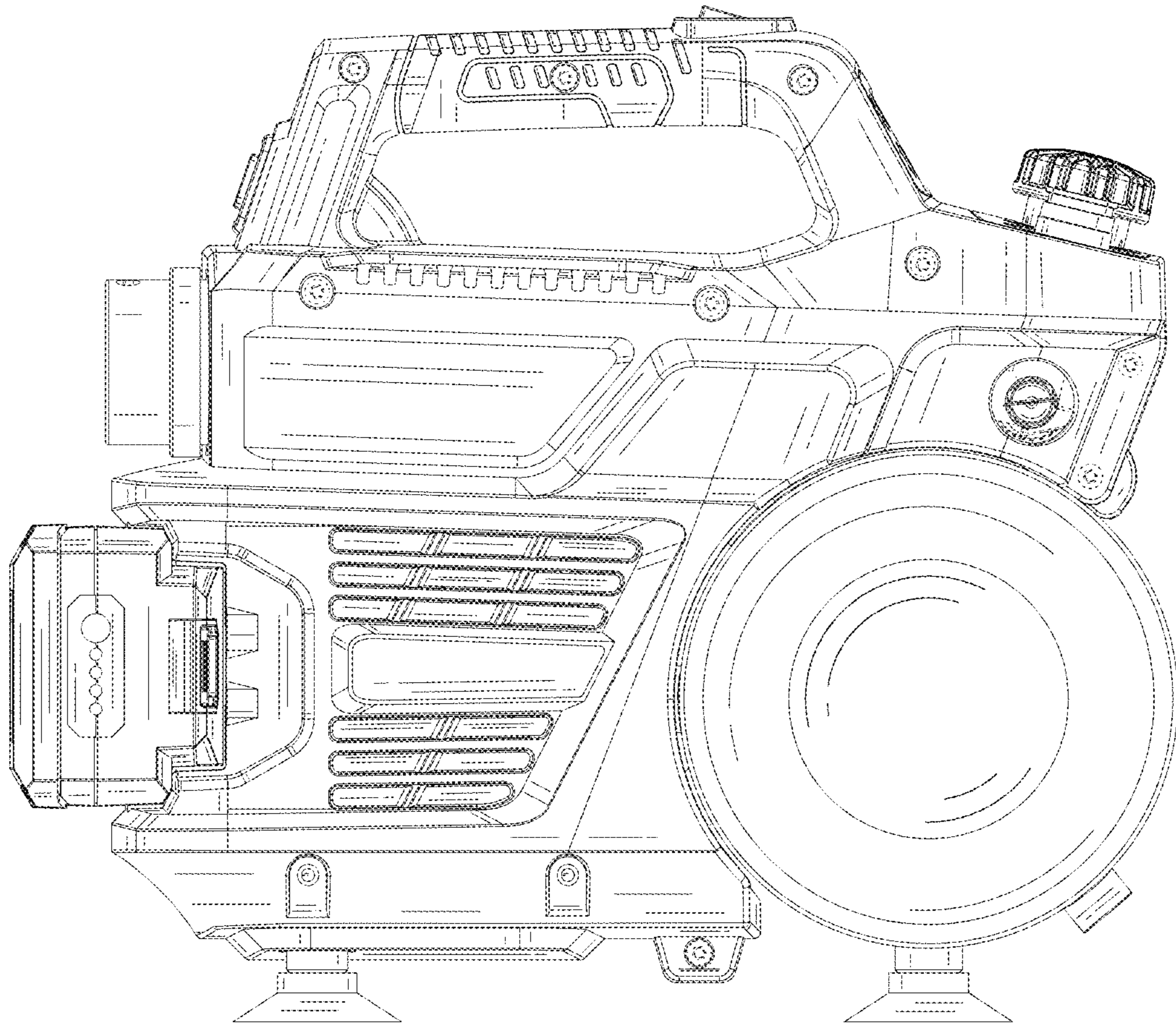


FIG. 4

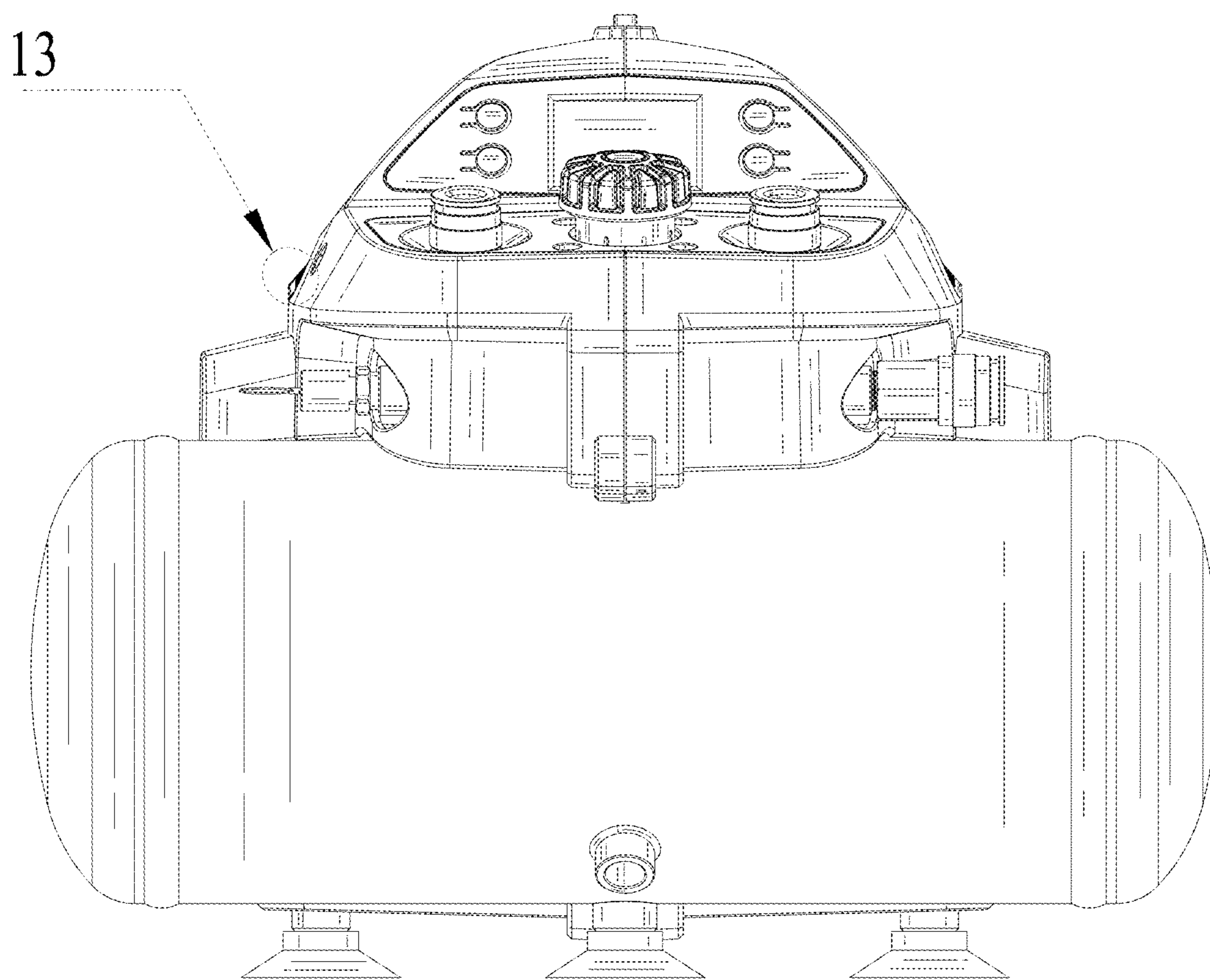


FIG. 5

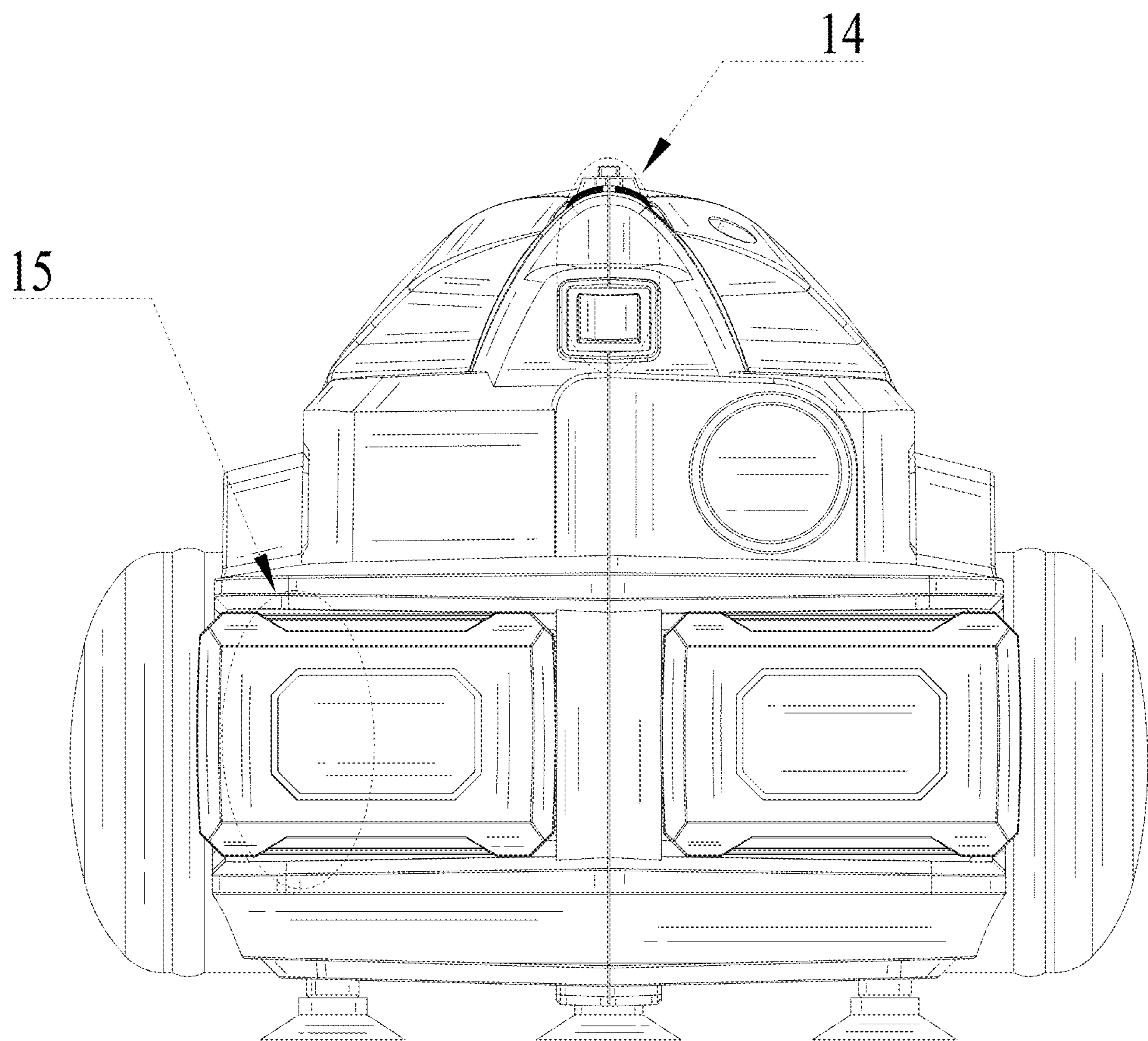


FIG. 6

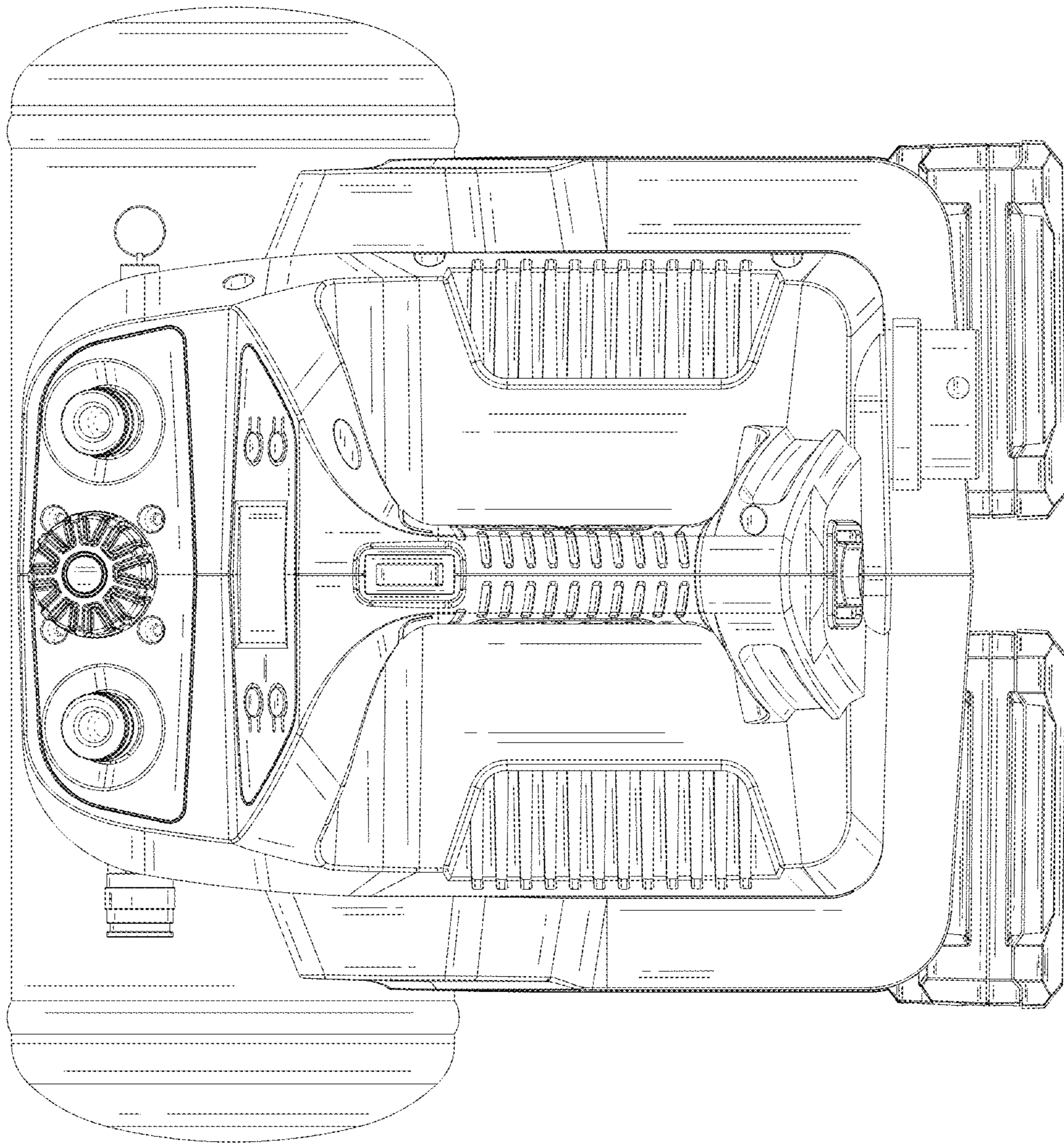


FIG. 7

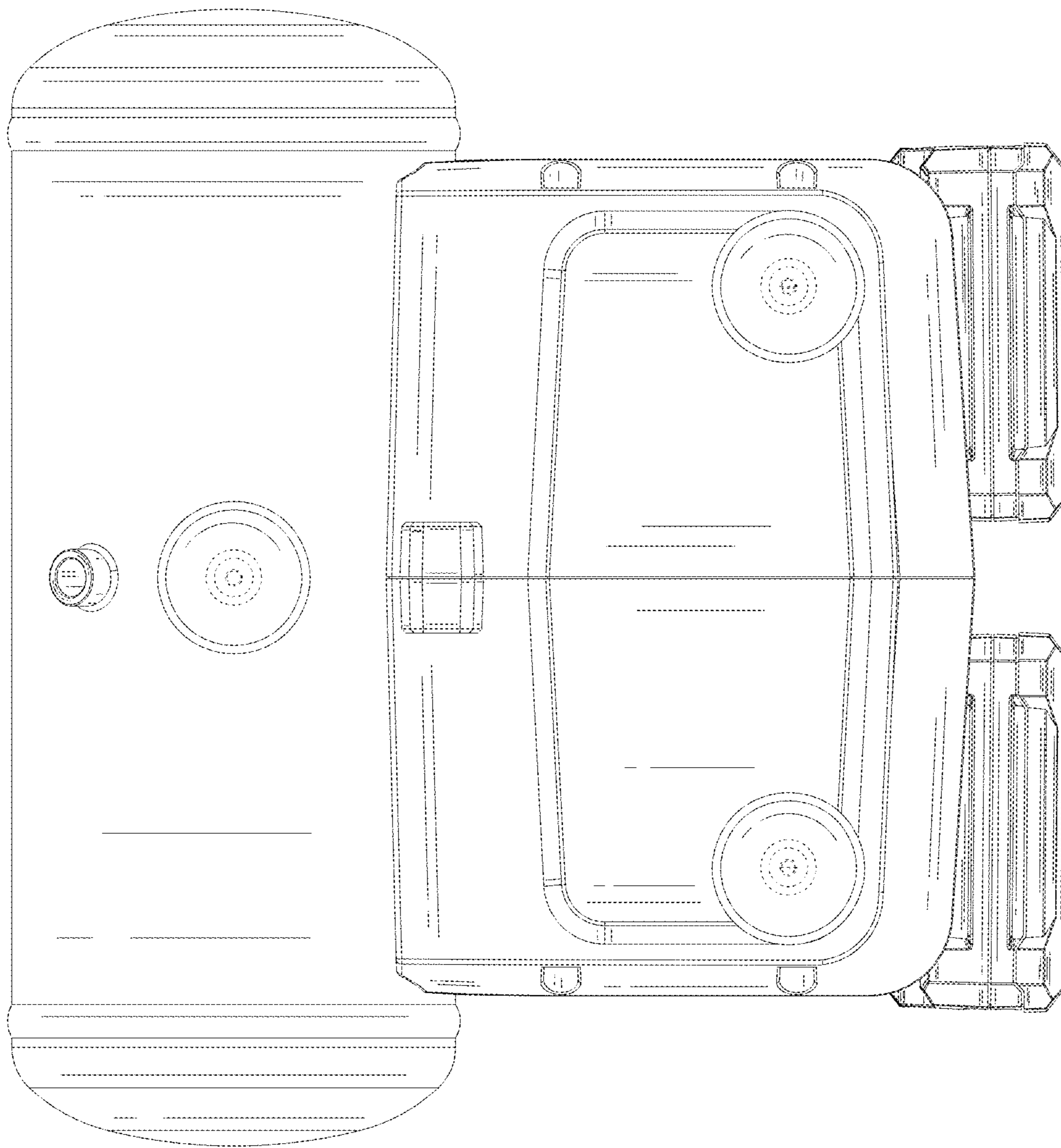


FIG. 8

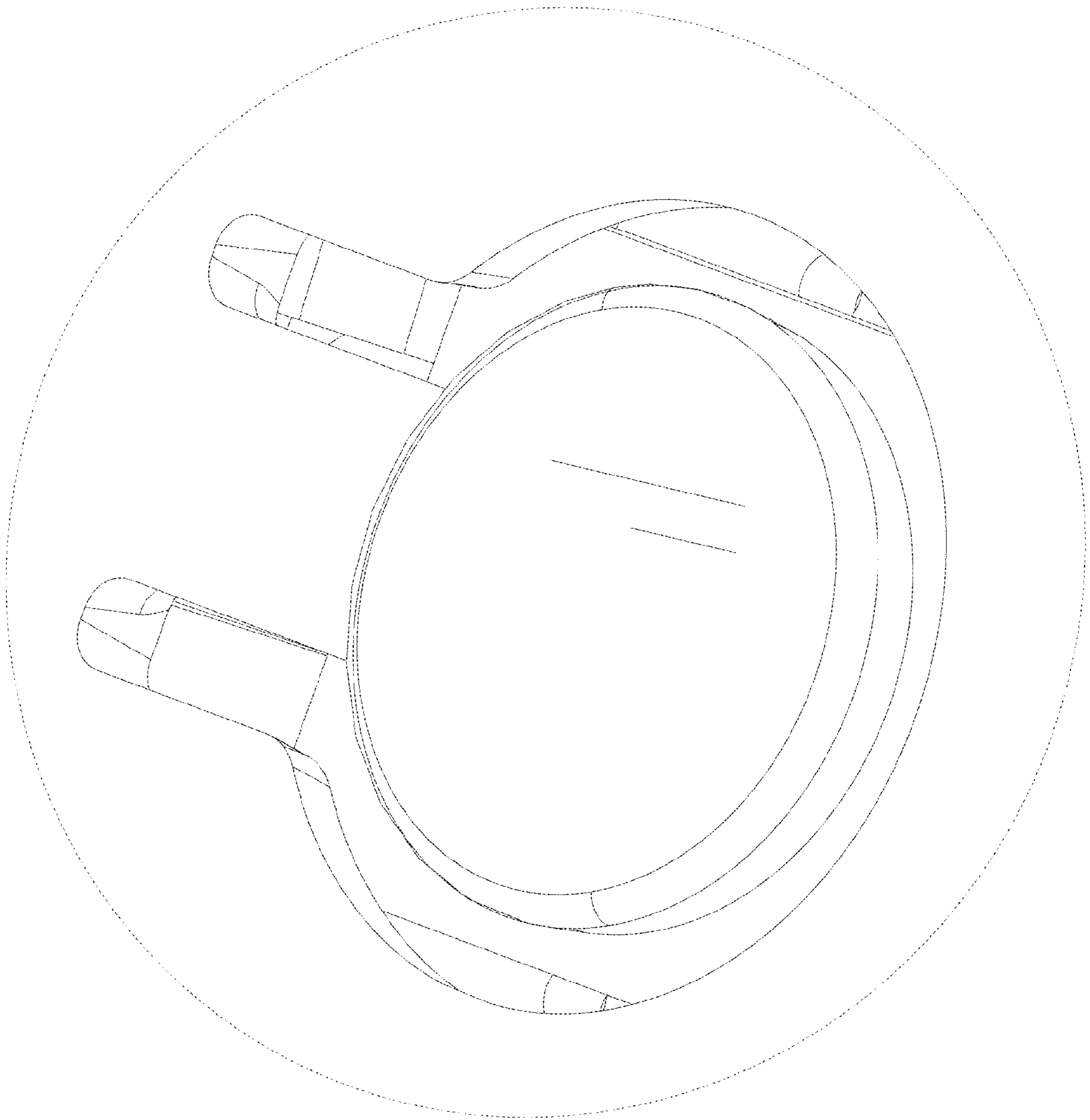


FIG. 9

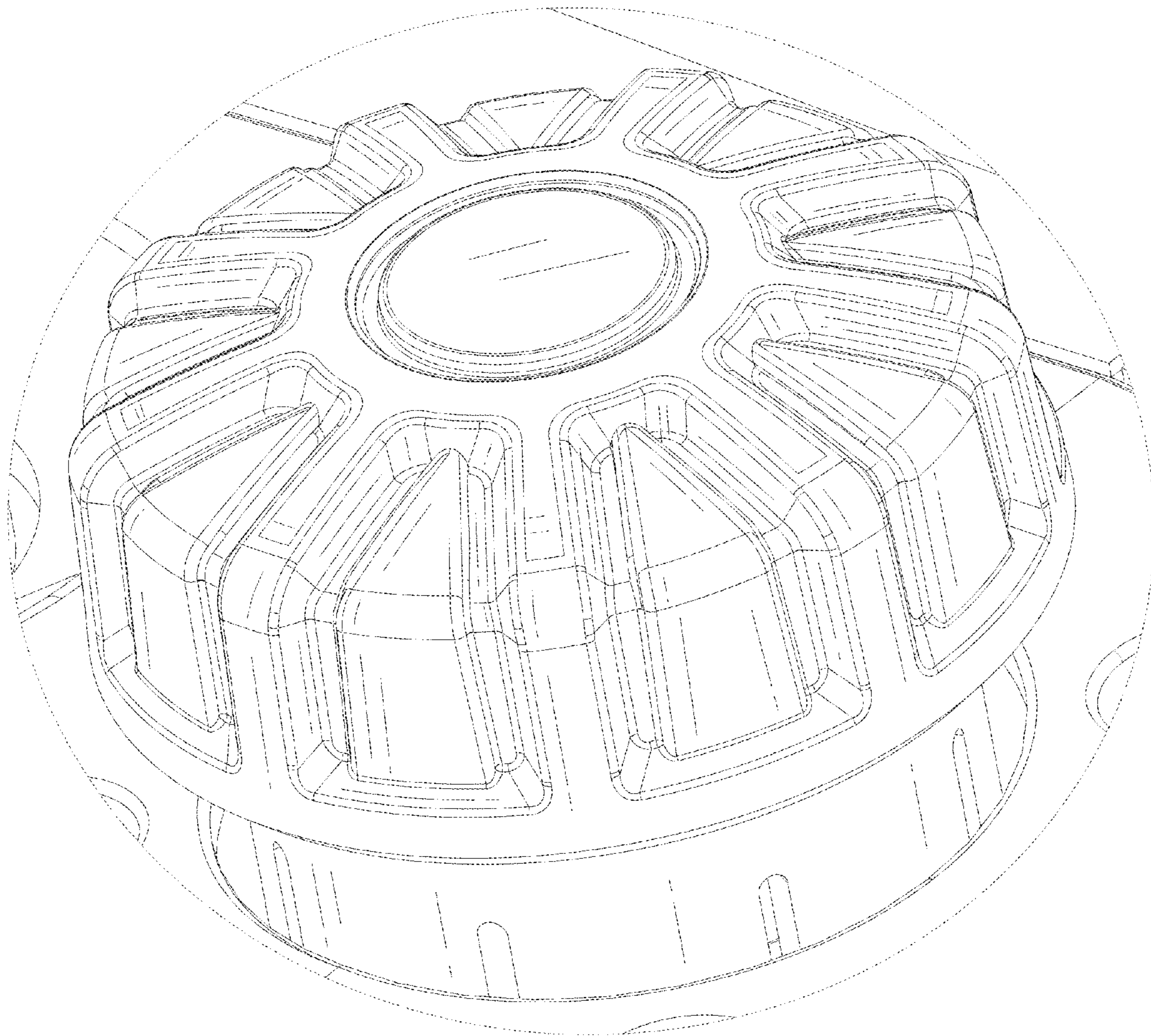


FIG. 10

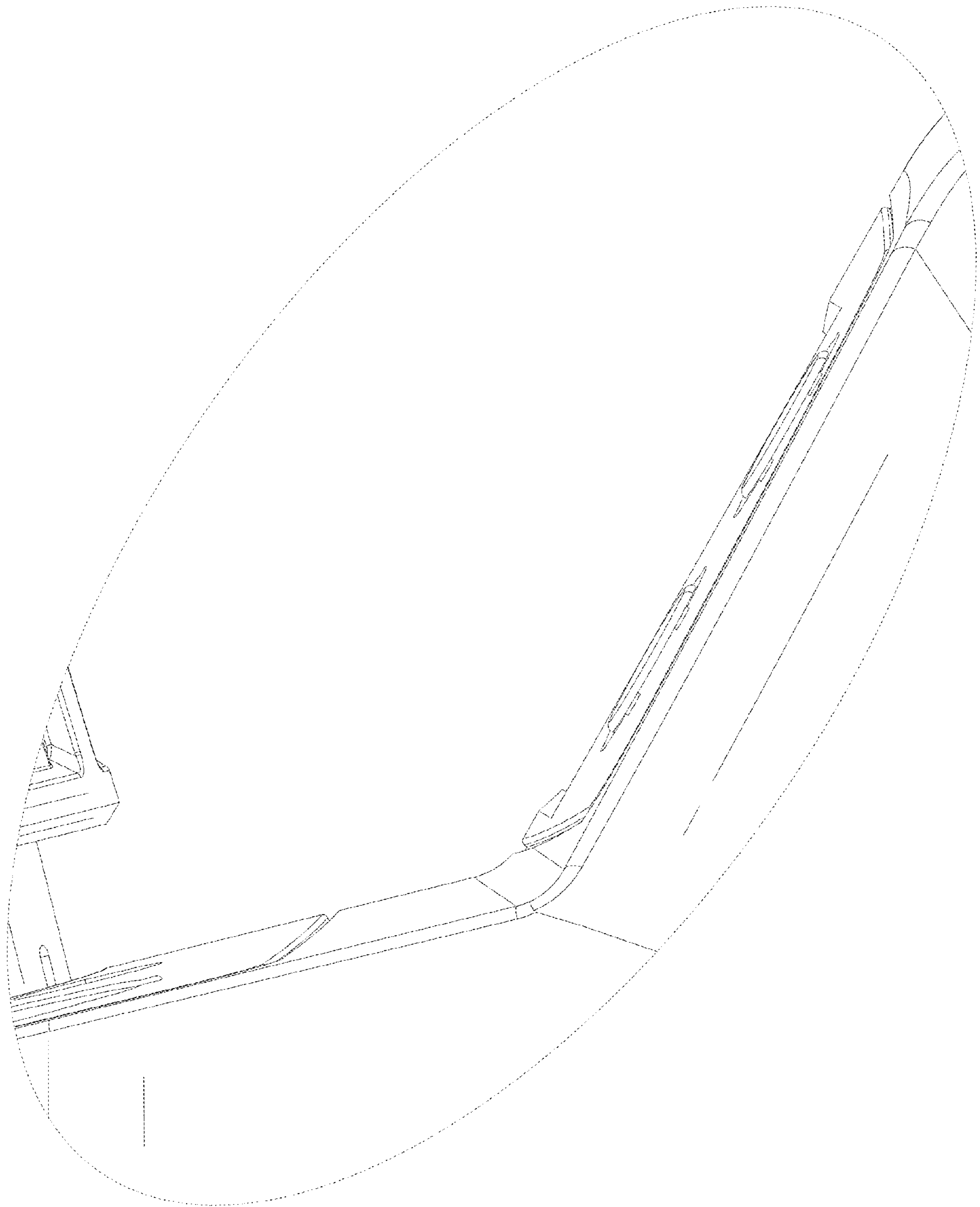


FIG. 11

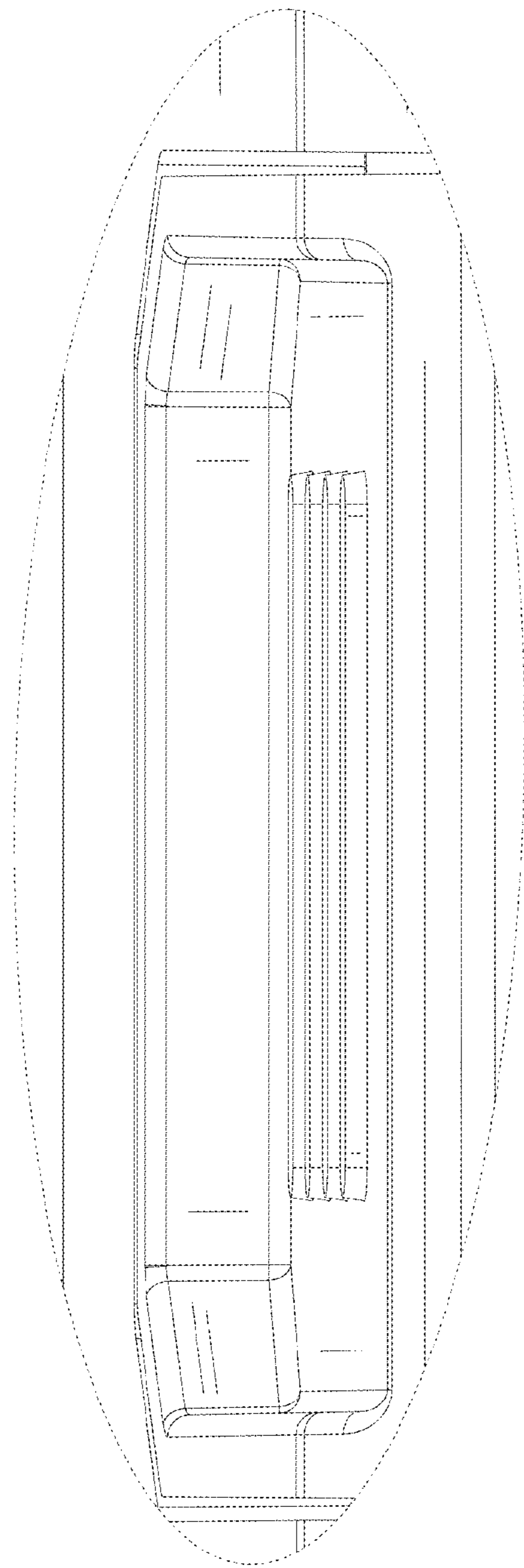


FIG. 12

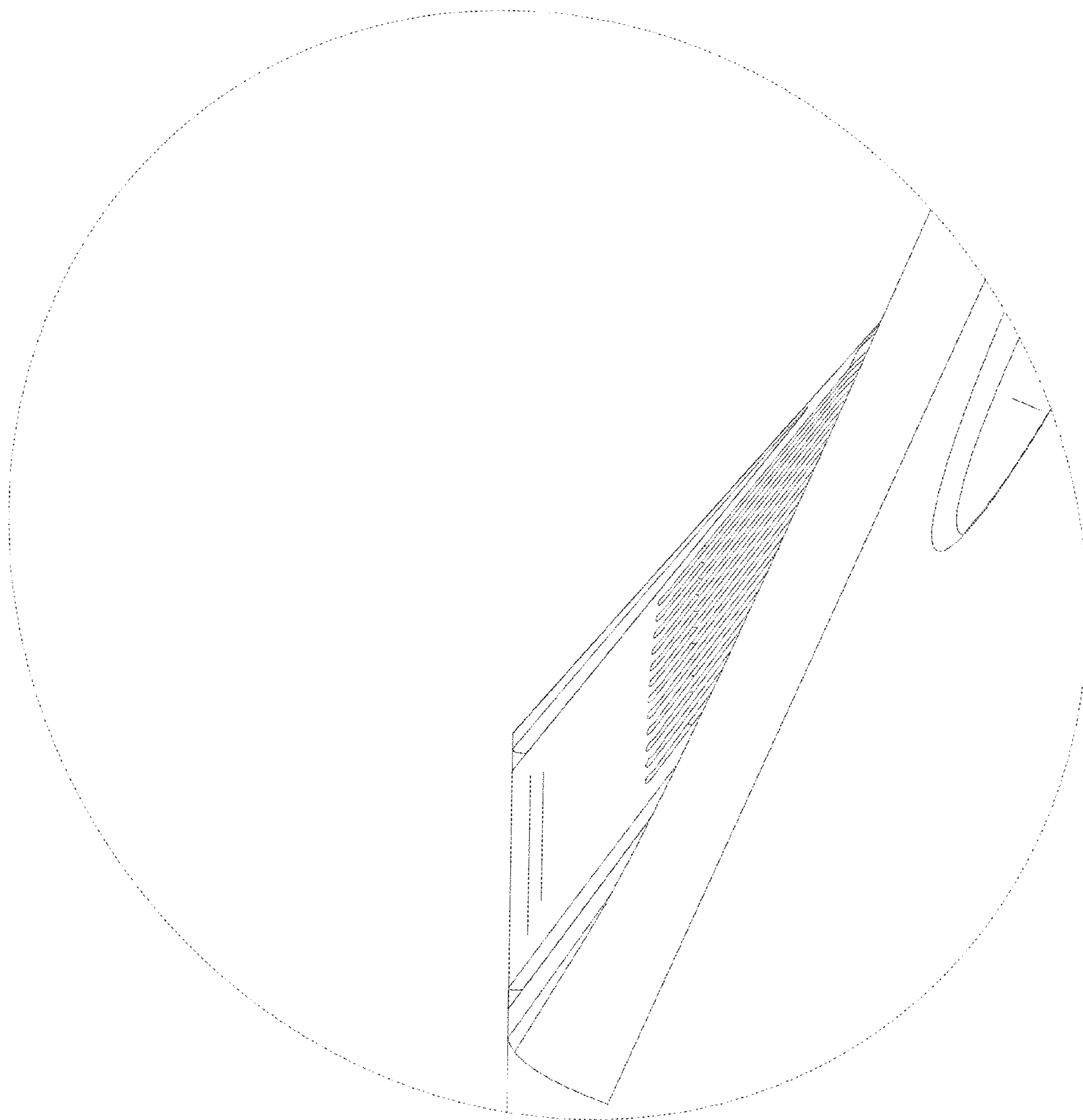


FIG. 13

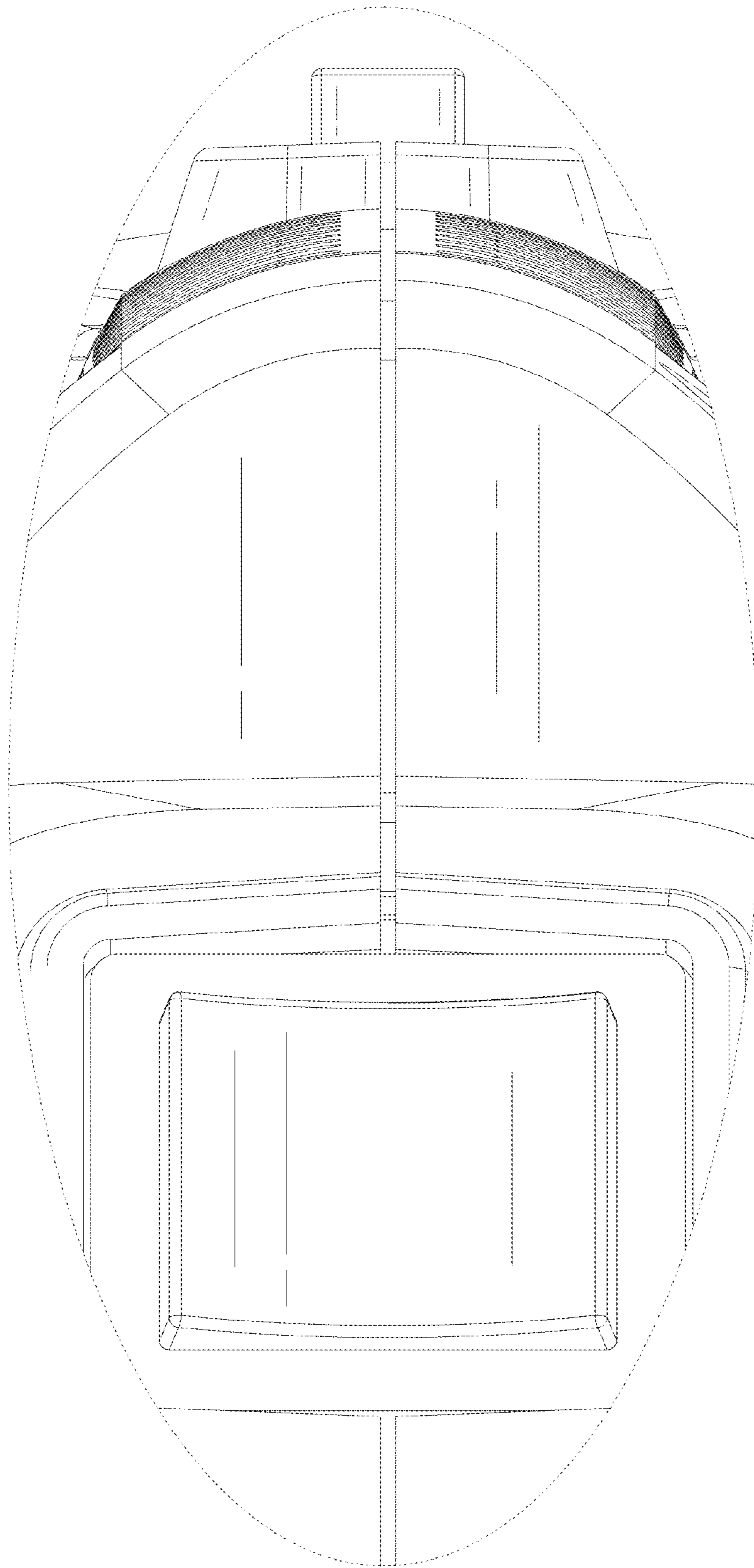


FIG. 14

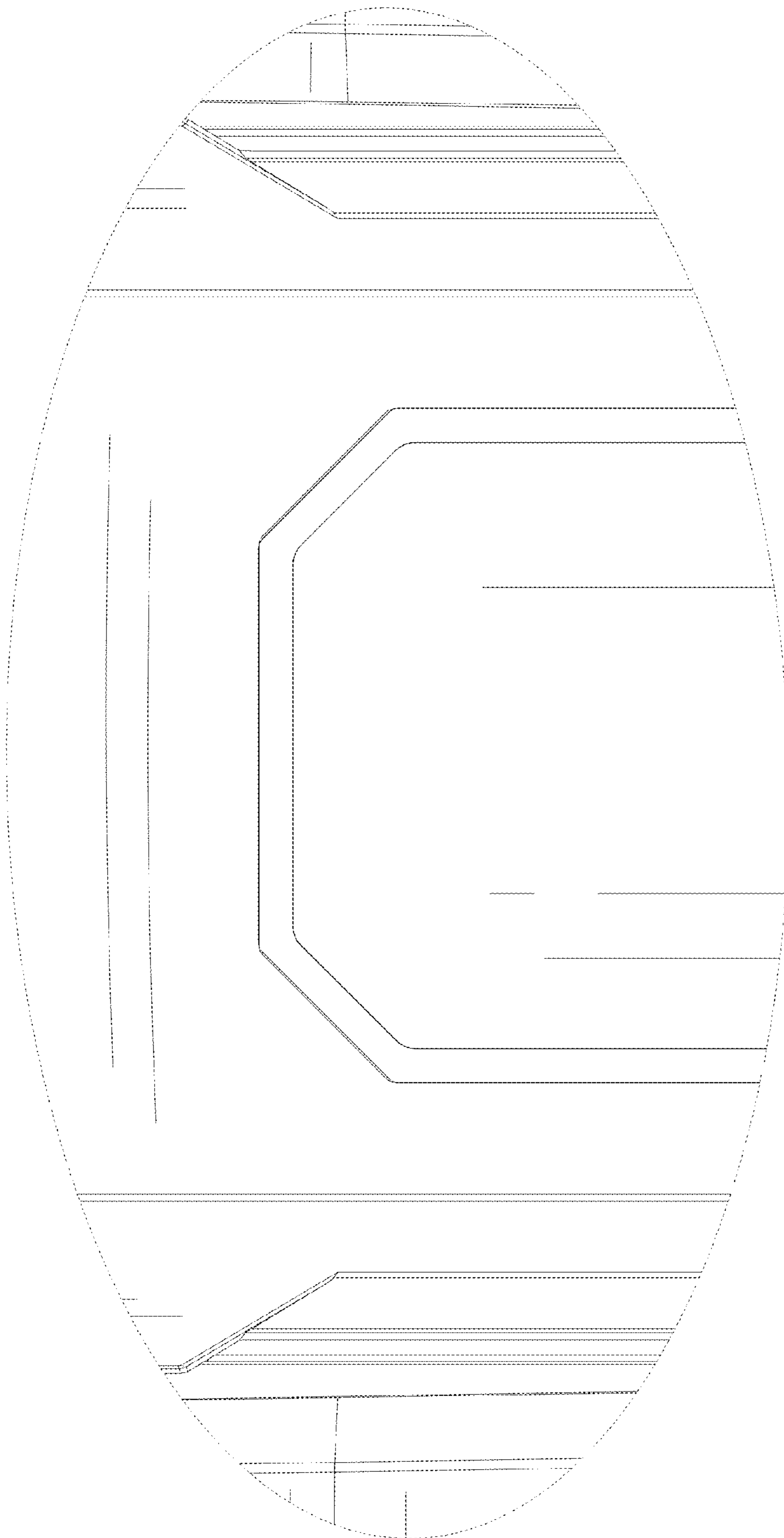


FIG. 15