



US00D949202S

(12) **United States Design Patent**  
**Sharpstone**

(10) **Patent No.:** **US D949,202 S**  
(45) **Date of Patent:** **\*\* Apr. 19, 2022**

(54) **FLUID PUMP**

(71) Applicant: **ASPEN PUMPS LIMITED**, Hailsham (GB)

(72) Inventor: **Joseph Oliver Sharpstone**, Ea (GB)

(73) Assignee: **ASPEN PUMPS LIMITED**, Hailsham (GB)

(\*\*) Term: **15 Years**

(21) Appl. No.: **29/705,300**

(22) Filed: **Sep. 11, 2019**

(30) **Foreign Application Priority Data**

Apr. 25, 2019 (EM) ..... 006397576-0001

(51) **LOC (13) Cl.** ..... **15-02**

(52) **U.S. Cl.**  
USPC ..... **D15/7; D23/386**

(58) **Field of Classification Search**

USPC ..... D15/7-9; D24/108, 110, 111; D13/103; D23/210, 225, 231, 232, 386  
CPC . B29C 73/00; B25B 21/02; B60S 5/04; B60S 5/046; F04B 53/00; F04B 53/92; F04B 1/005; F04B 25/00; F04B 35/00; F04B 37/00; F04B 39/00; F04B 27/00; F04B 43/1269; F04B 43/1276; F04B 43/08; F04B 45/08; F04B 17/03; F04B 35/04; F24F 13/222; F24F 2140/30; F04D 29/64  
See application file for complete search history.

(56) **References Cited**

**U.S. PATENT DOCUMENTS**

D269,673 S \* 7/1983 Johansson ..... D13/147  
D502,143 S \* 2/2005 Chiu ..... D13/147  
D550,627 S \* 9/2007 Su ..... D13/147  
D580,046 S \* 11/2008 Pukall ..... D24/108

D585,543 S \* 1/2009 Yodfat ..... D24/111  
D617,281 S \* 6/2010 Chen ..... D13/147  
D687,541 S \* 8/2013 Estes ..... D24/111

(Continued)

**OTHER PUBLICATIONS**

Sauermann, Omega Pack Mini condensate removal pump data sheet, (site visited May 17, 2021), Test Equipment Depot website, URL:<[https://www.testequipmentdepot.com/sauermann/pdfs/omega-pack\\_datasheet.pdf](https://www.testequipmentdepot.com/sauermann/pdfs/omega-pack_datasheet.pdf)> (Year: 2021).\*

(Continued)

*Primary Examiner* — Calvin E Vansant  
*Assistant Examiner* — Mark T. Philipps  
(74) *Attorney, Agent, or Firm* — Workman Nydegger

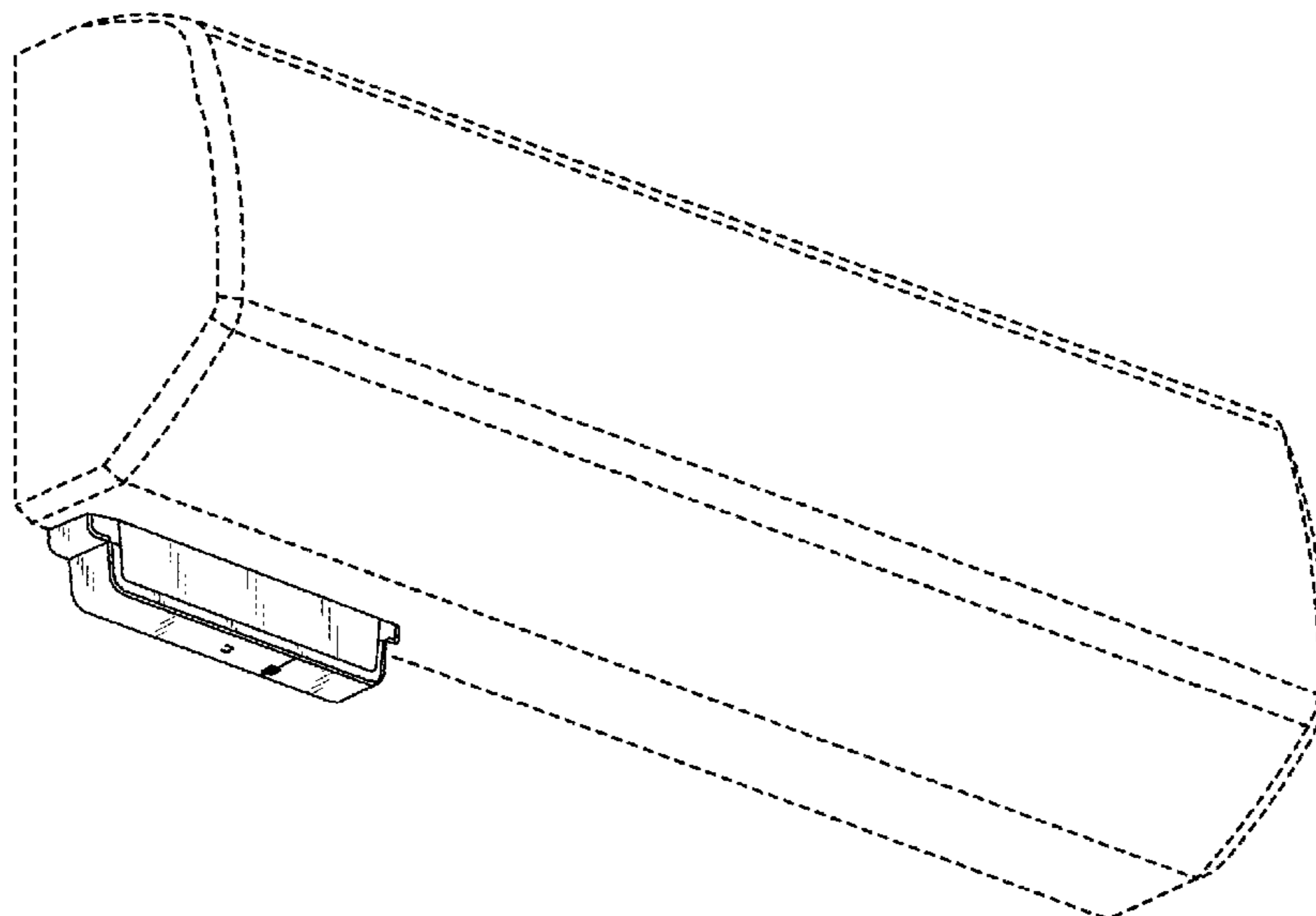
(57) **CLAIM**

The ornamental design for a fluid pump, as shown and described.

**DESCRIPTION**

FIG. 1 is an elevated facing view of my new design for a fluid pump;  
FIG. 2 is an elevated rear view thereof;  
FIG. 3 is an enlarged view of the region indicated in FIG. 2 by the long-dash-short-dash broken lines;  
FIG. 4 is an elevated left view thereof;  
FIG. 5 is an elevated right view thereof;  
FIG. 6 is a top plan view thereof;  
FIG. 7 is an enlarged view of the region indicated in FIG. 6 by the long-dash-short-dash broken lines;  
FIG. 8 is bottom plan view thereof;  
FIG. 9 is a bottom, left, facing perspective view thereof; and, FIG. 10 is a top, left, rear perspective view thereof.  
Broken lines in the drawings are for the purposes of illustrating environmental structures around the fluid pump only and form no part of the claimed design. The dash dot broken lines on FIGS. 2, 3, 6 and 7 are provided to define the enlargement regions in each and form no part of the claimed design.

**1 Claim, 10 Drawing Sheets**



(56)

**References Cited**

U.S. PATENT DOCUMENTS

D723,157	S	*	2/2015	Clemente	.....	D24/111
D745,142	S	*	12/2015	O'Connor	.....	D24/111
D768,288	S	*	10/2016	O'Connor	.....	D24/111
D776,253	S	*	1/2017	Li	.....	D24/108
D791,306	S	*	7/2017	Clemente	.....	D24/111
D794,771	S	*	8/2017	Wu	.....	D24/108
D865,161	S	*	10/2019	Arnold	.....	D24/117
D868,839	S	*	12/2019	Comini	.....	D15/7
D882,523	S	*	4/2020	Li	.....	D13/147
D886,986	S	*	6/2020	Clemente	.....	D24/111
D896,180	S	*	9/2020	Lin	.....	D13/133
D896,183	S	*	9/2020	Musser	.....	D13/147
D907,578	S	*	1/2021	Qiao	.....	D13/147
2021/0131700	A1	*	5/2021	Gee	.....	F24F 13/222

OTHER PUBLICATIONS

Aspen Pumps Group, Silent+ Mini Agua, (site visited May 18, 2021), Aspen Pumps website, URL:<<https://www.aspenpumps.com/en-us/aspen-pumps/silent-plus-mini-pumps/silent-mini-aqua>> (Year: 2021).\*

\* cited by examiner

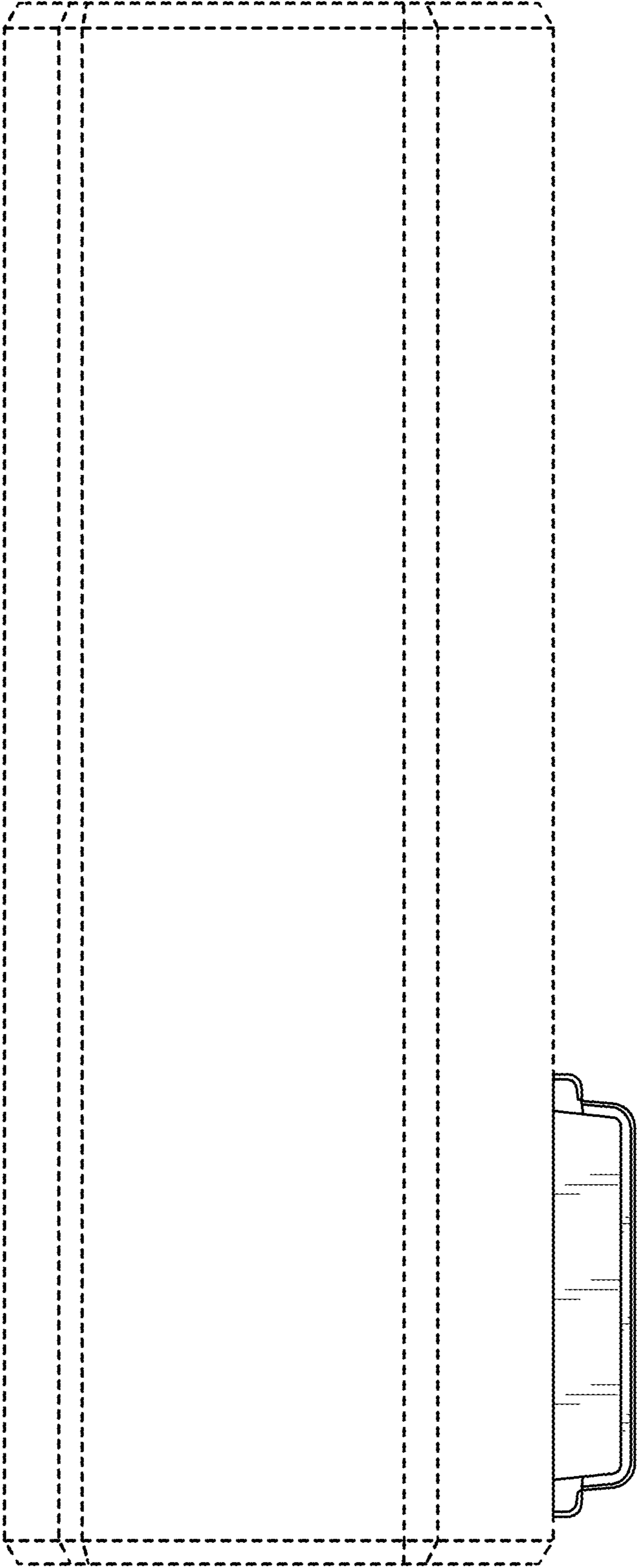


FIG. 1

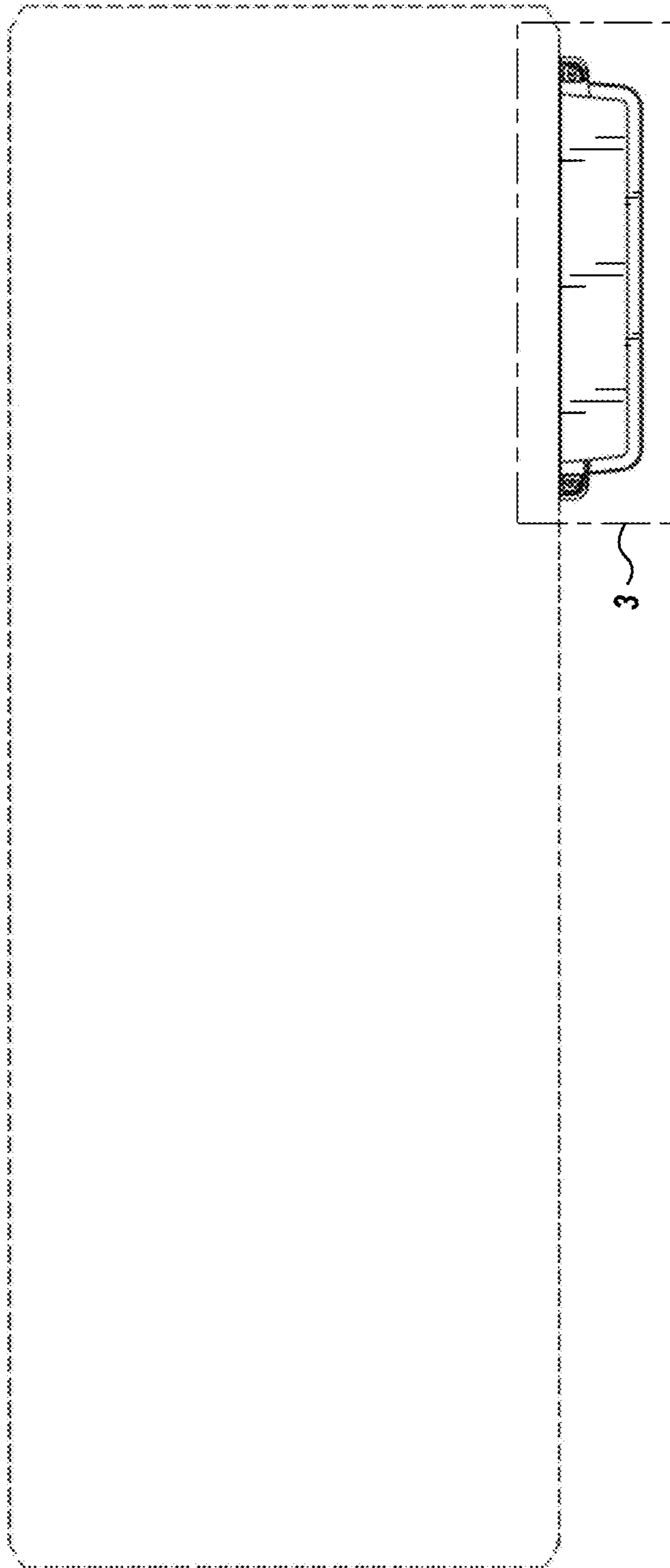


FIG. 2

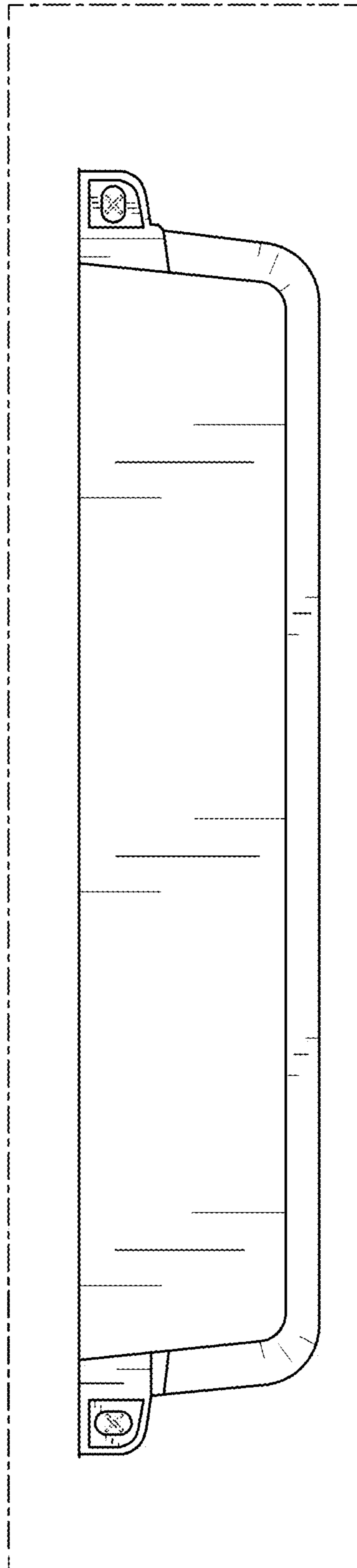
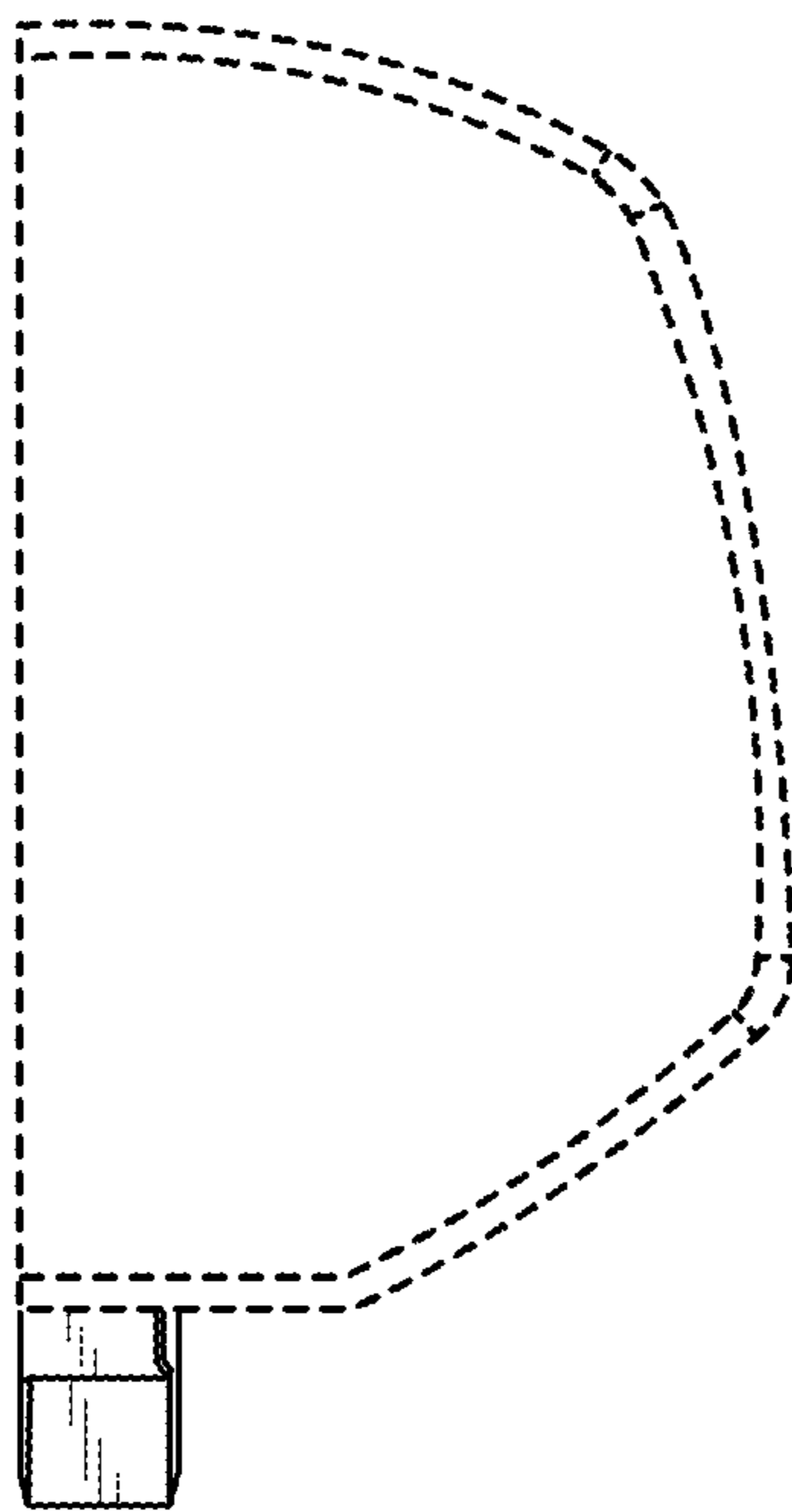
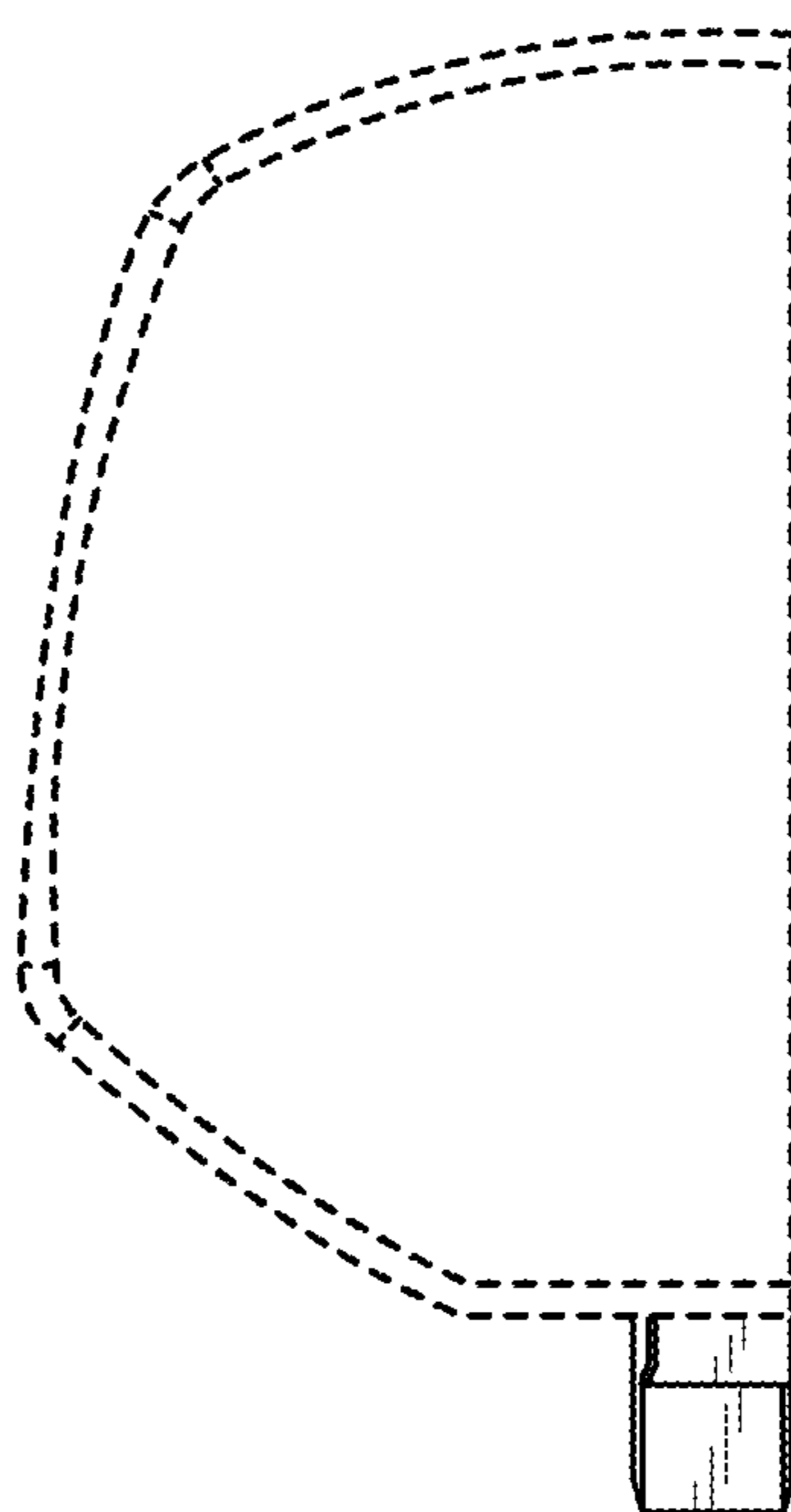


FIG. 3



**FIG. 4**



**FIG. 5**



FIG. 6



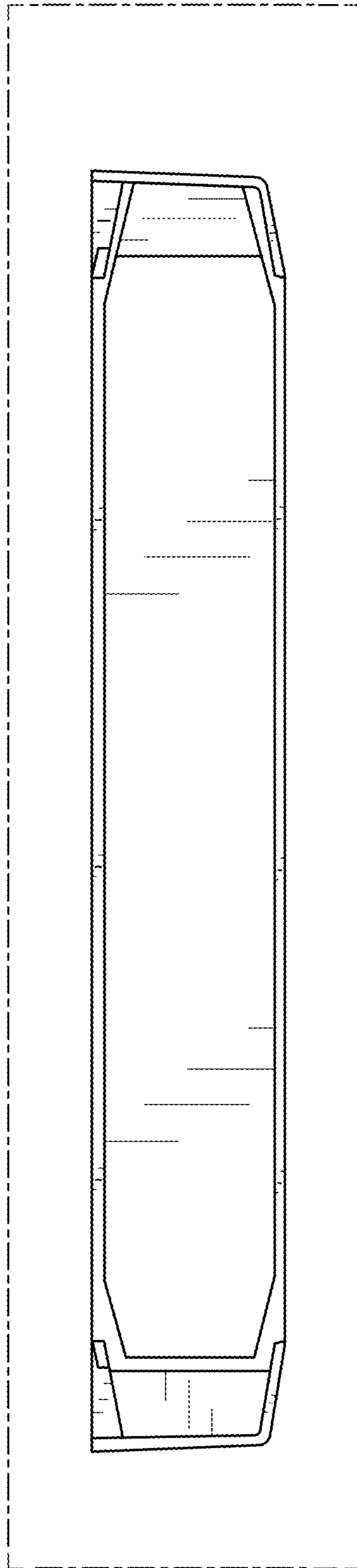


FIG. 7

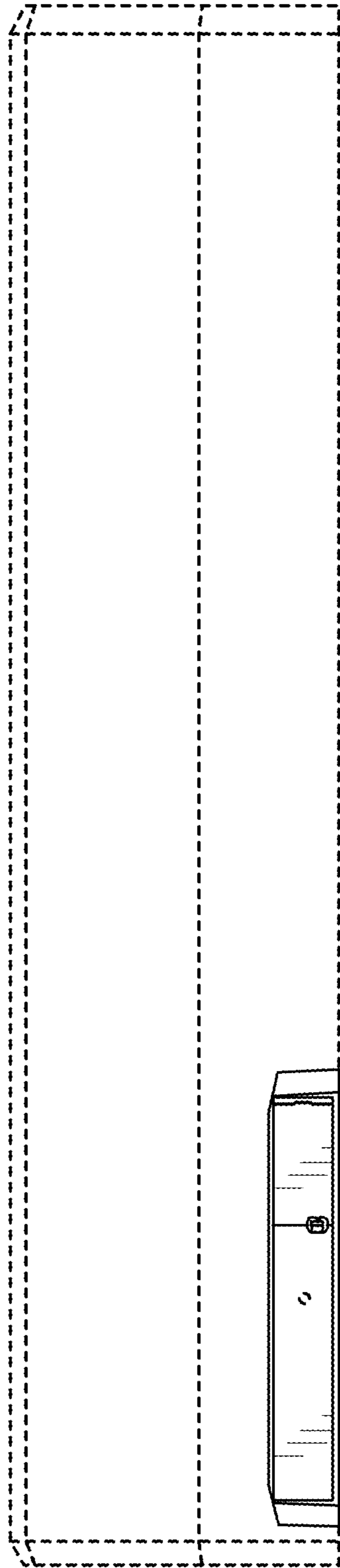


FIG. 8

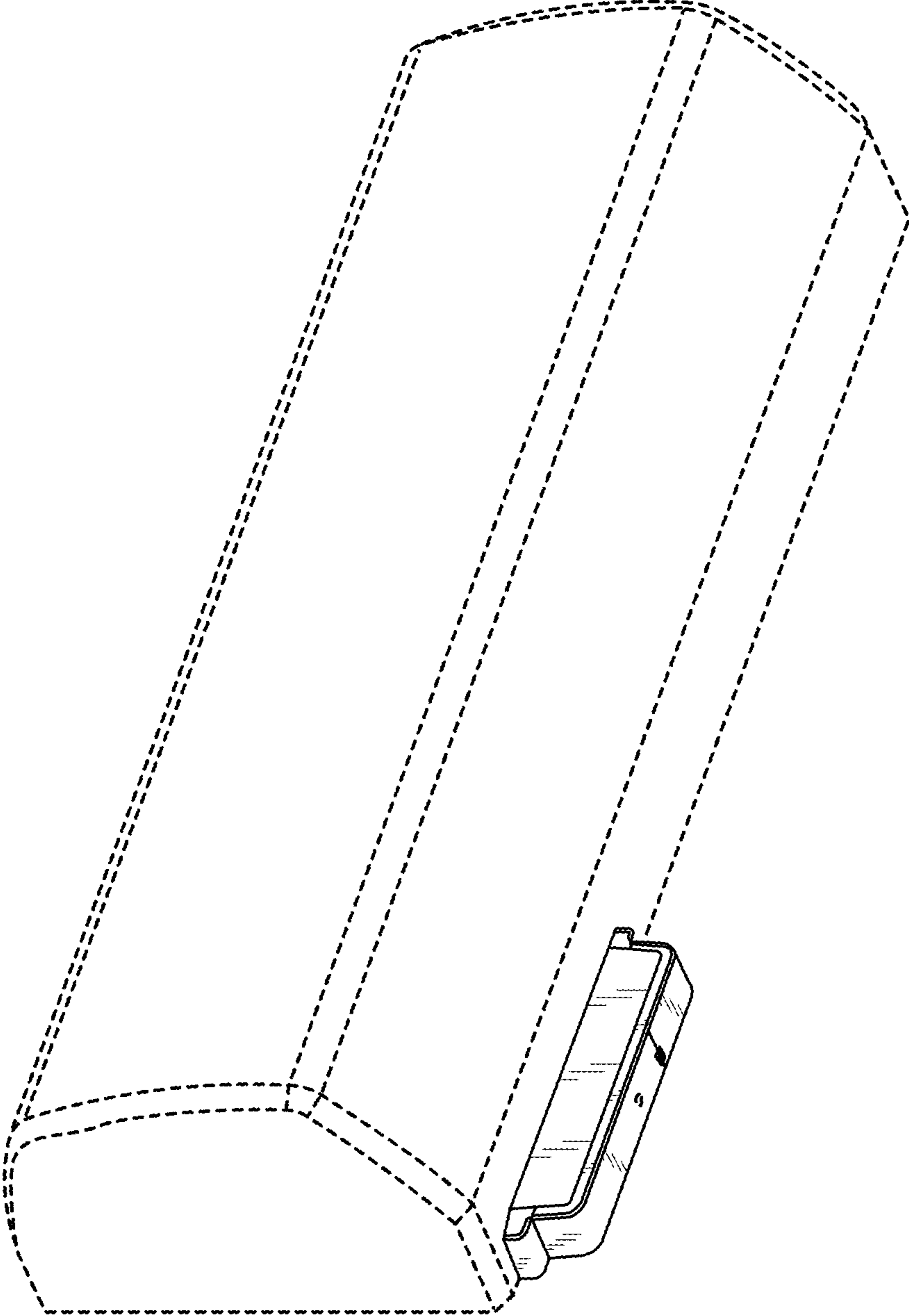


FIG. 9

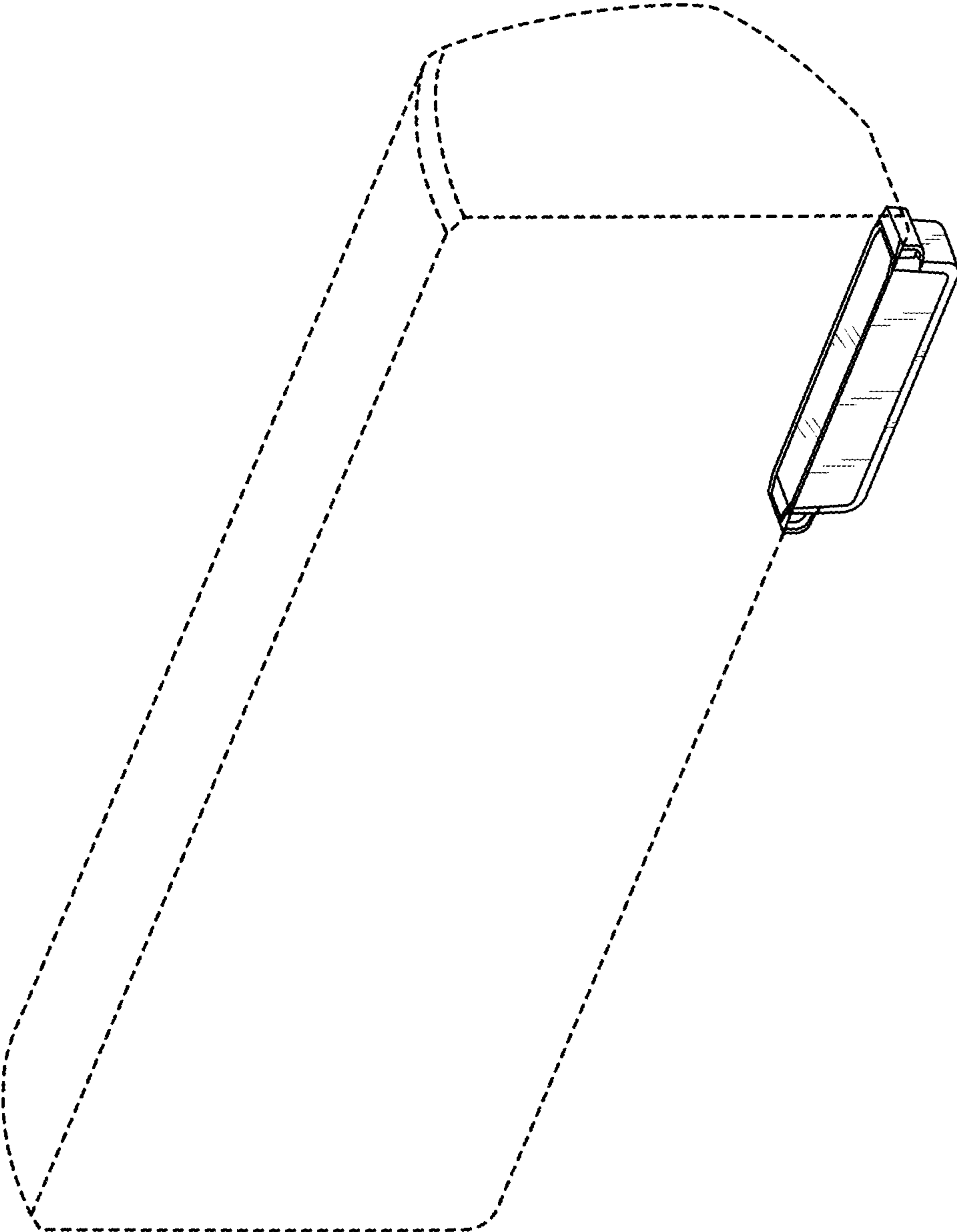


FIG. 10