



US00D949201S

(12) **United States Design Patent** (10) **Patent No.:** **US D949,201 S**
Kuperman (45) **Date of Patent:** **** Apr. 19, 2022**

(54) **BILLET HUB**

(71) Applicant: **Frank C. Kuperman**, Charlotte, NC
(US)

(72) Inventor: **Frank C. Kuperman**, Charlotte, NC
(US)

(**) Term: **15 Years**

(21) Appl. No.: **29/718,266**

(22) Filed: **Dec. 23, 2019**

(51) **LOC (13) Cl.** **15-01**

(52) **U.S. Cl.**
USPC **D15/5**

(58) **Field of Classification Search**
USPC D15/5, 6, 7, 148, 149; D12/114, 127,
D12/160, 161, 162
CPC B62D 1/10; B62D 1/105; F16D 25/0638;
F16D 25/10; F16D 25/123
See application file for complete search history.

2012/0111693 A1* 5/2012 Chern F16D 13/683
192/30 V

2016/0281793 A1* 9/2016 Soviero F16D 25/0638

2017/0051800 A1* 2/2017 Hill F16D 13/683

2017/0314650 A1* 11/2017 Jinnai F16H 3/663

2020/0039600 A1* 2/2020 Jessie, Jr. B62K 5/01

2020/0292012 A1* 9/2020 Koon F16D 25/12

2021/0372489 A1* 12/2021 Nader F16D 25/0638

FOREIGN PATENT DOCUMENTS

CA 2482955 A1 * 12/2003 B21D 39/04

OTHER PUBLICATIONS

Picture of MOPAR part dated Dec. 17, 2019.

* cited by examiner

Primary Examiner — Ania Aman
 (74) *Attorney, Agent, or Firm* — Nexsen Pruet, PLLC;
 Seth L. Hudson

(57) **CLAIM**

The ornamental design for a billet hub, as shown and described.

DESCRIPTION

FIG. 1 is a front perspective view of the billet hub showing my new design;

FIG. 2 is a back perspective view of the billet hub;

FIG. 3 is a top view of the billet hub;

FIG. 4 is a side view of the billet hub;

FIG. 5 is a bottom view of the billet hub;

FIG. 6 is a side view of the billet hub;

FIG. 7 is a side view of the billet hub;

FIG. 8 is a side view of the billet hub; and,

FIG. 9 shows a cross-sectional view of the billet hub taken along line 9-9 of FIG. 3.

1 Claim, 5 Drawing Sheets

(56) **References Cited**

U.S. PATENT DOCUMENTS

D263,308 S * 3/1982 Miller 180/249

5,782,326 A * 7/1998 Souza F16H 45/00
192/3.26

9,074,640 B1 * 7/2015 Wolverton F16D 13/683

10,295,002 B2 * 5/2019 Hill F16D 13/52

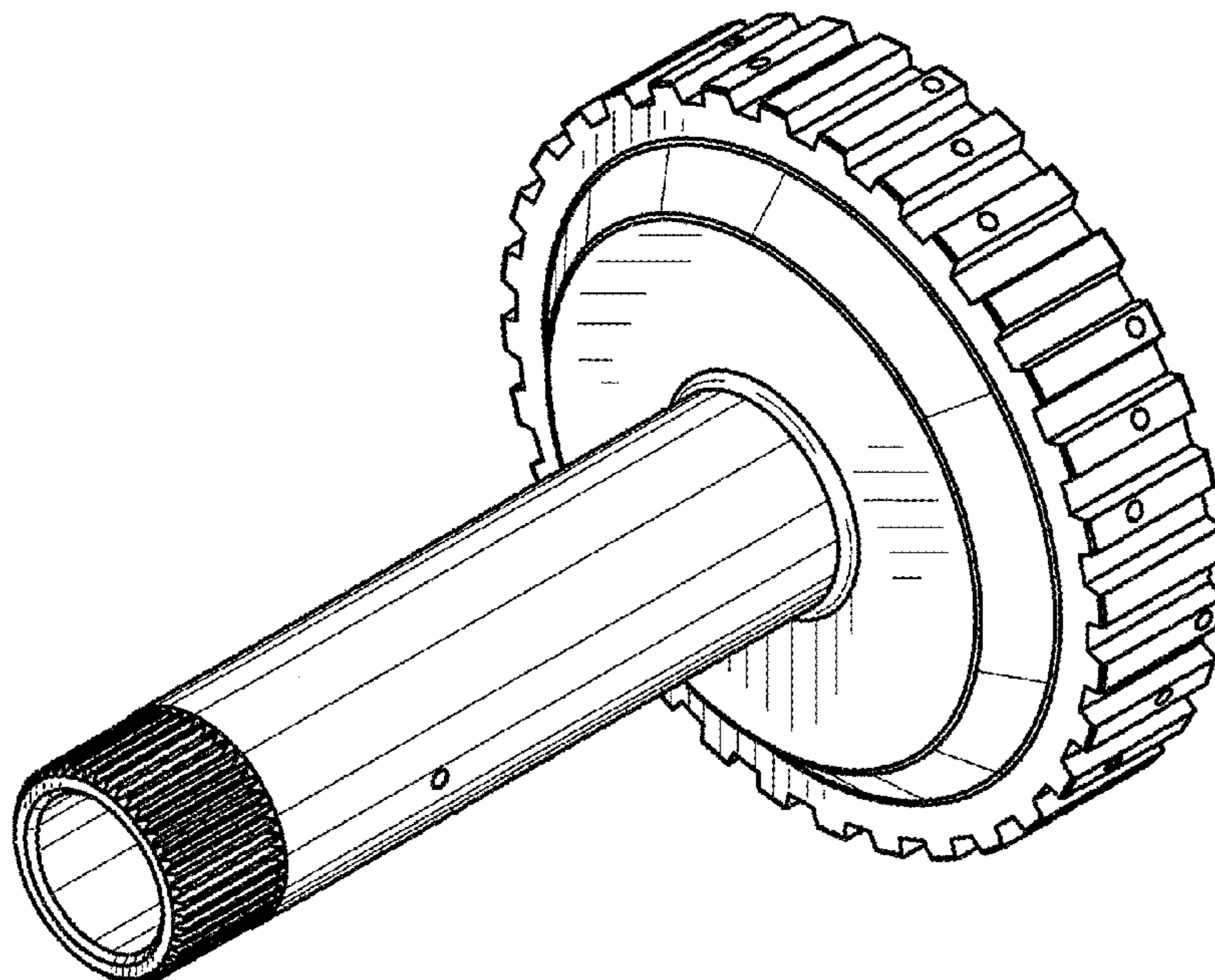
10,400,833 B1 * 9/2019 Wolverton F16D 25/0638

2005/0205373 A1 * 9/2005 Foster F16D 13/648
192/18 A

2006/0113157 A1 * 6/2006 Ichikawa F16D 25/123
192/113.34

2008/0017469 A1 * 1/2008 Iwasaki F16H 57/02
192/48.5

2012/0111692 A1 * 5/2012 Chern F16D 25/12
192/30 V



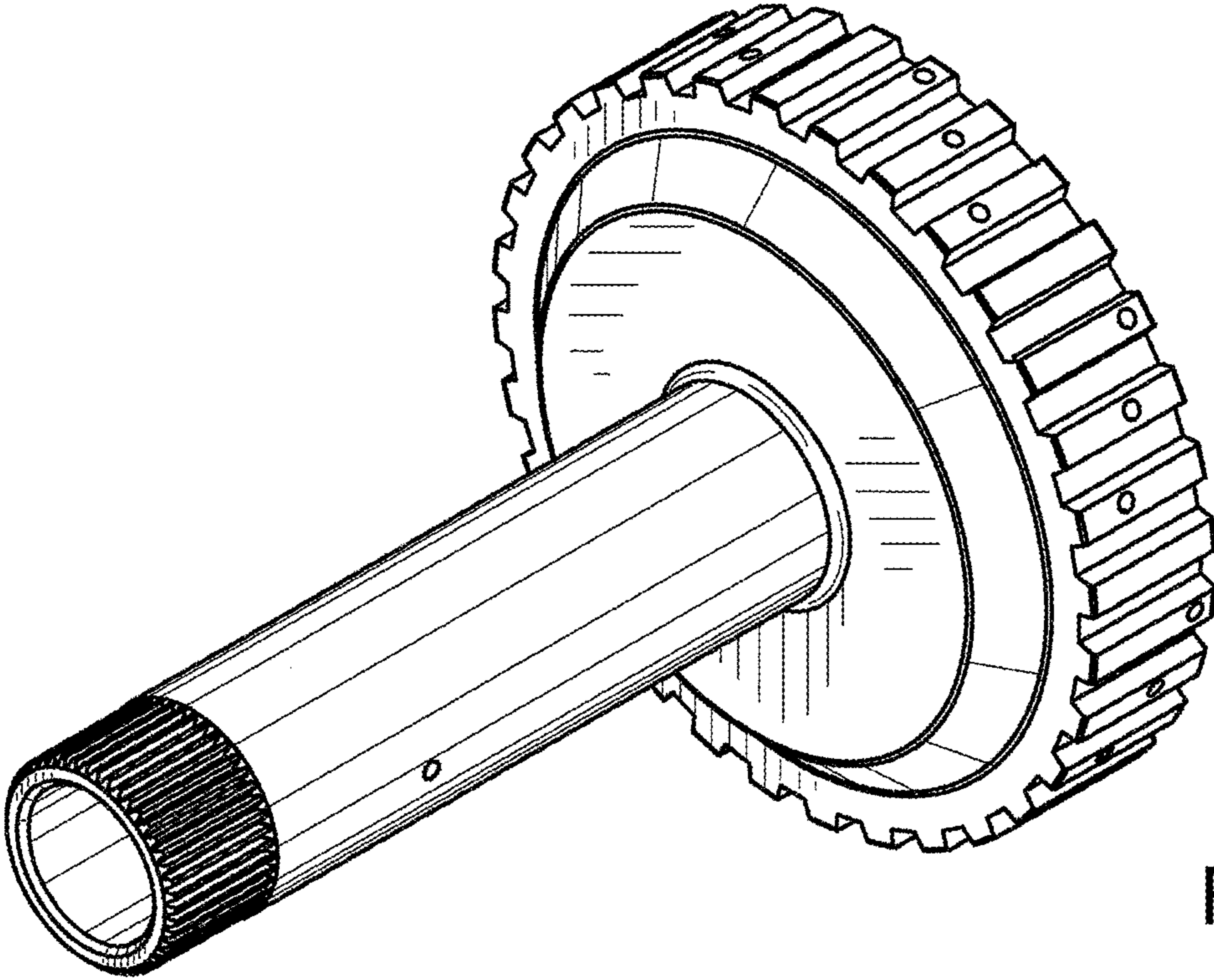


FIG. 1

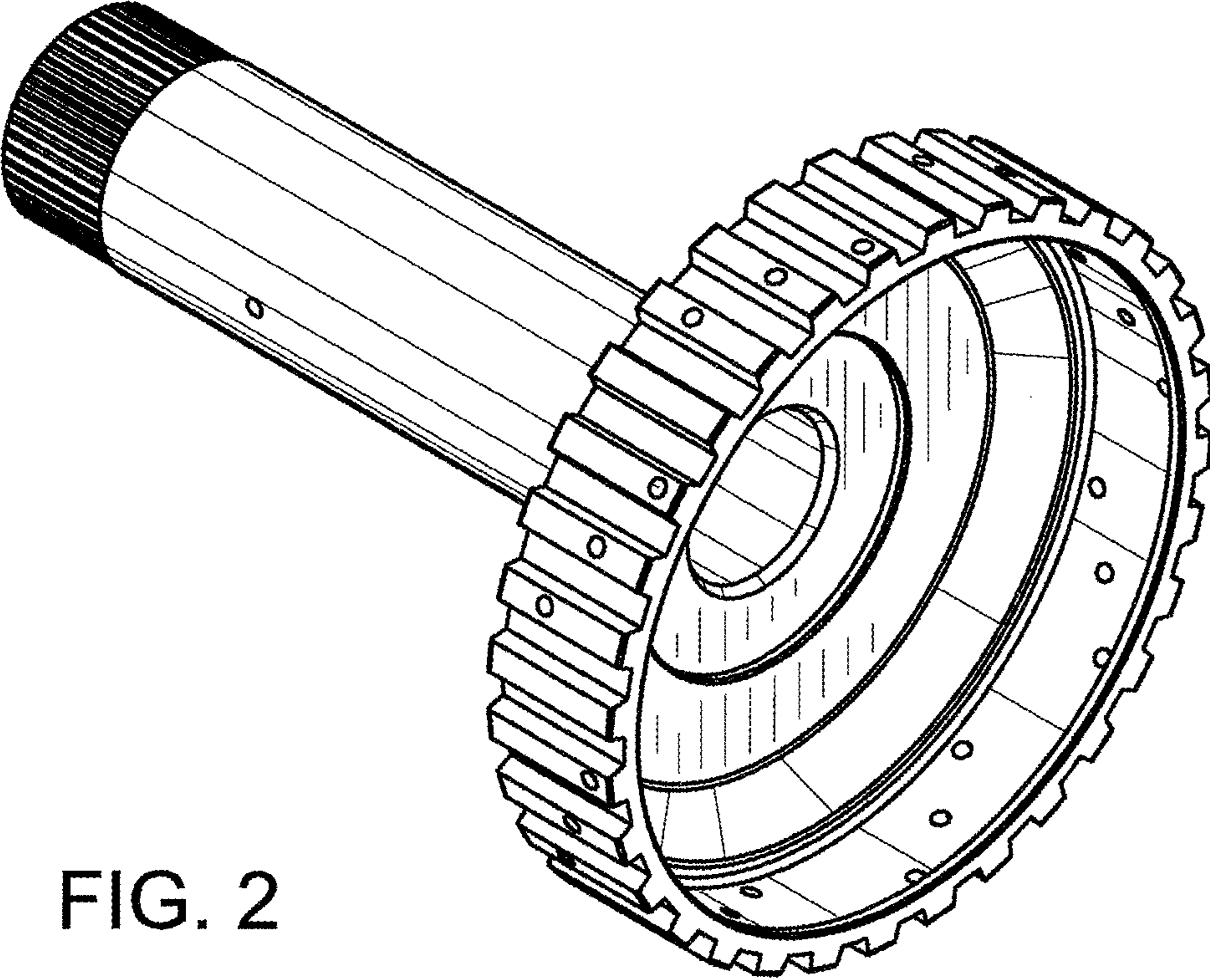


FIG. 2

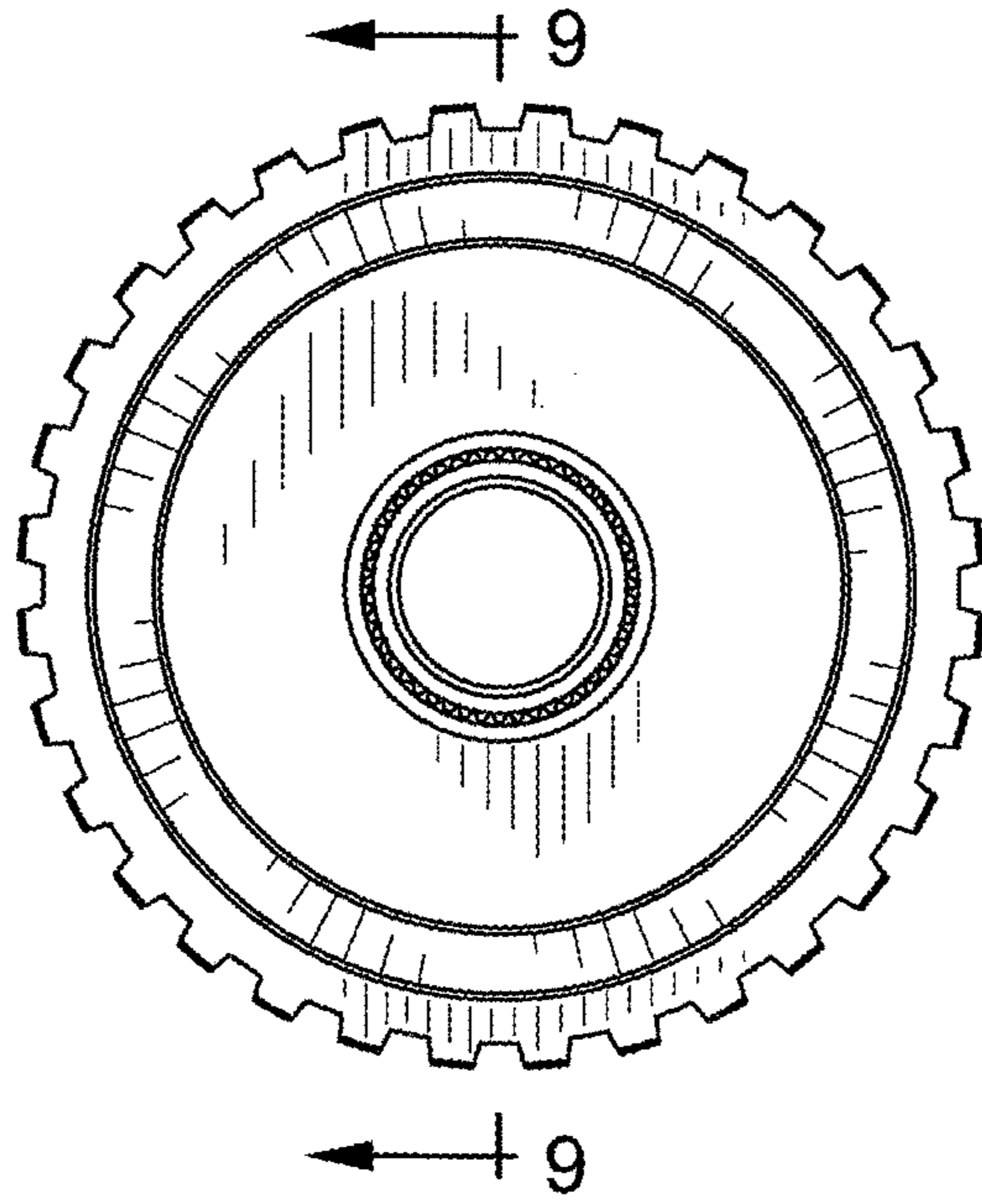


FIG. 3

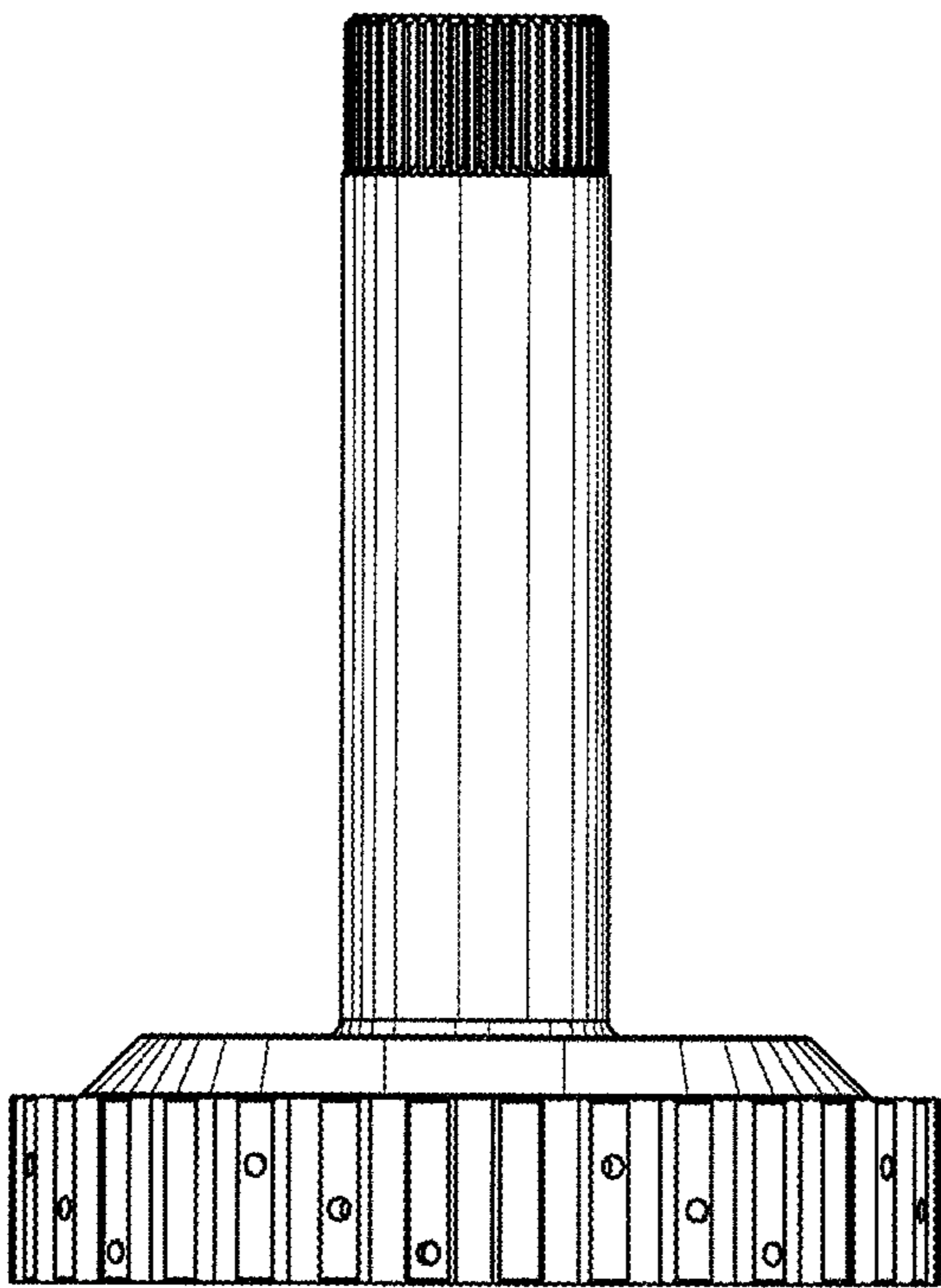


FIG. 4

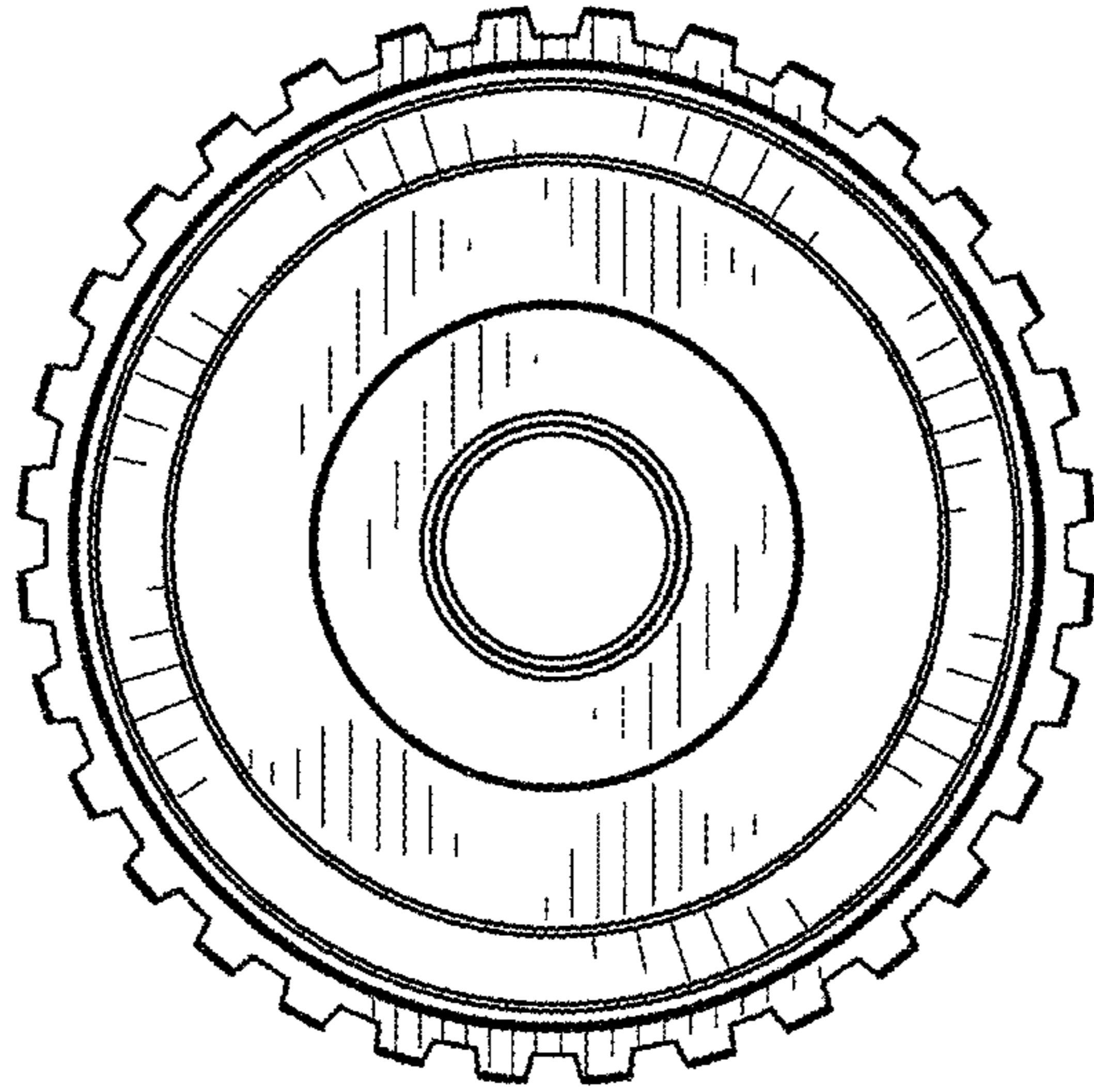


FIG. 5

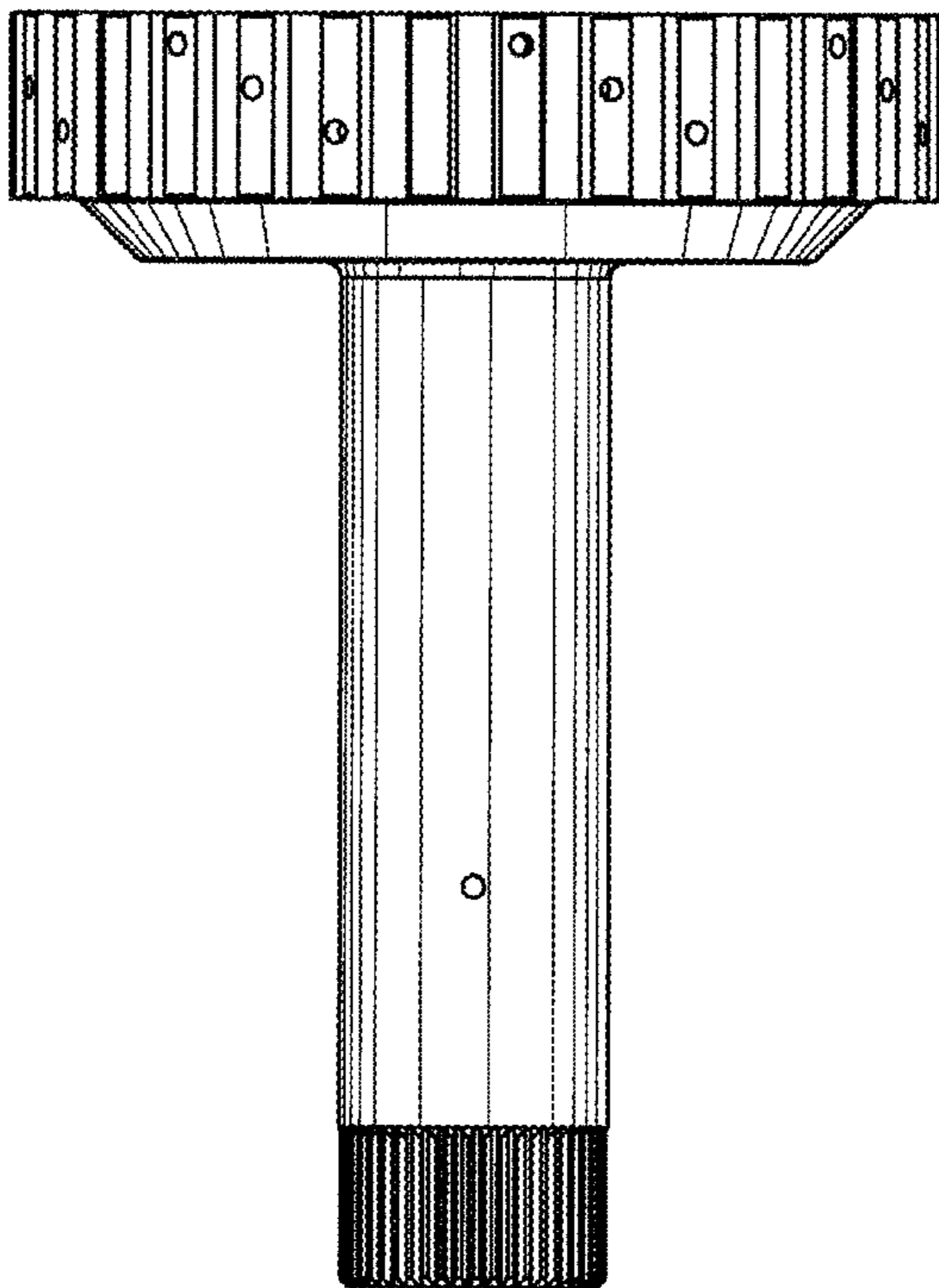


FIG. 6

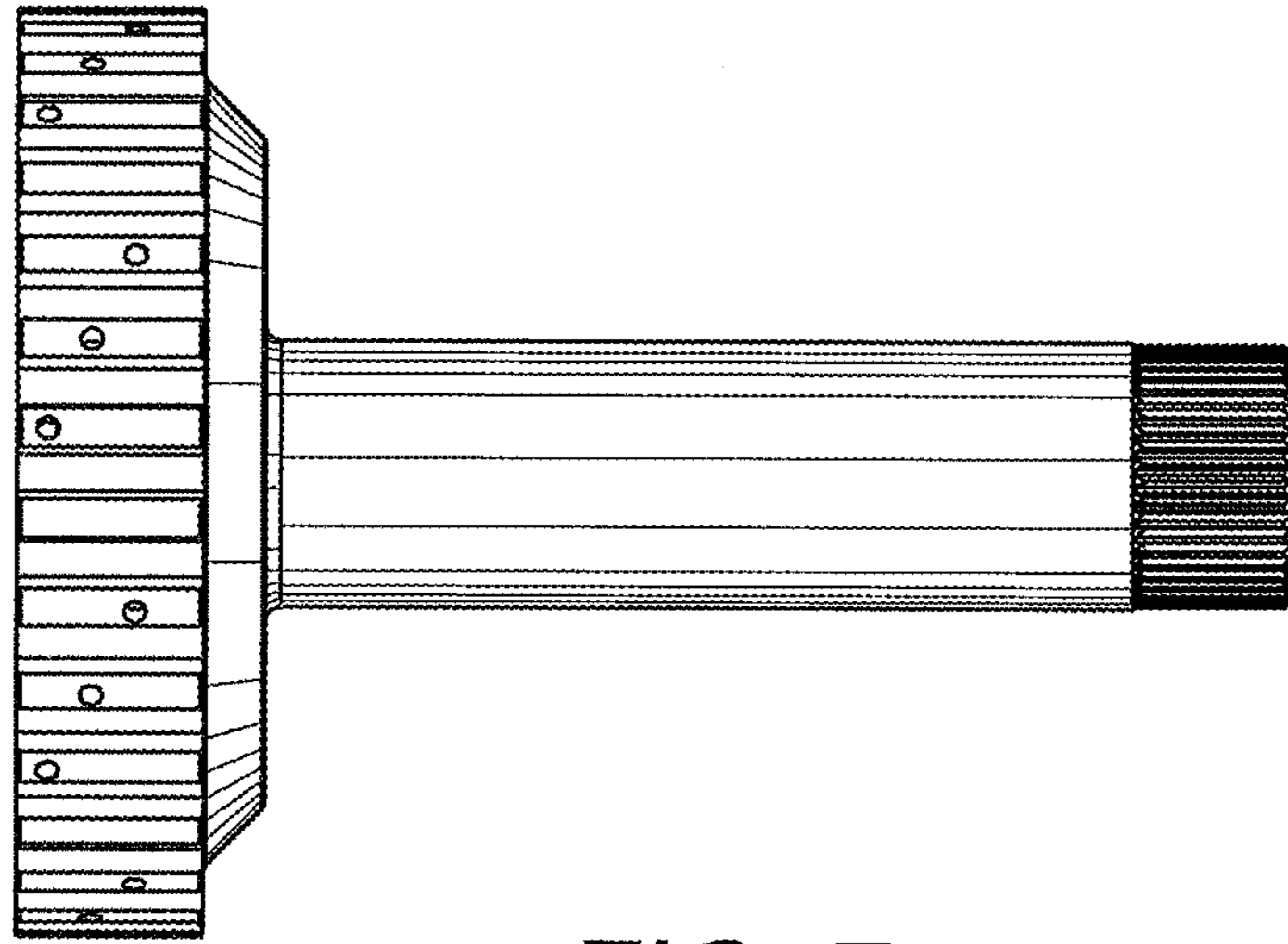


FIG. 7

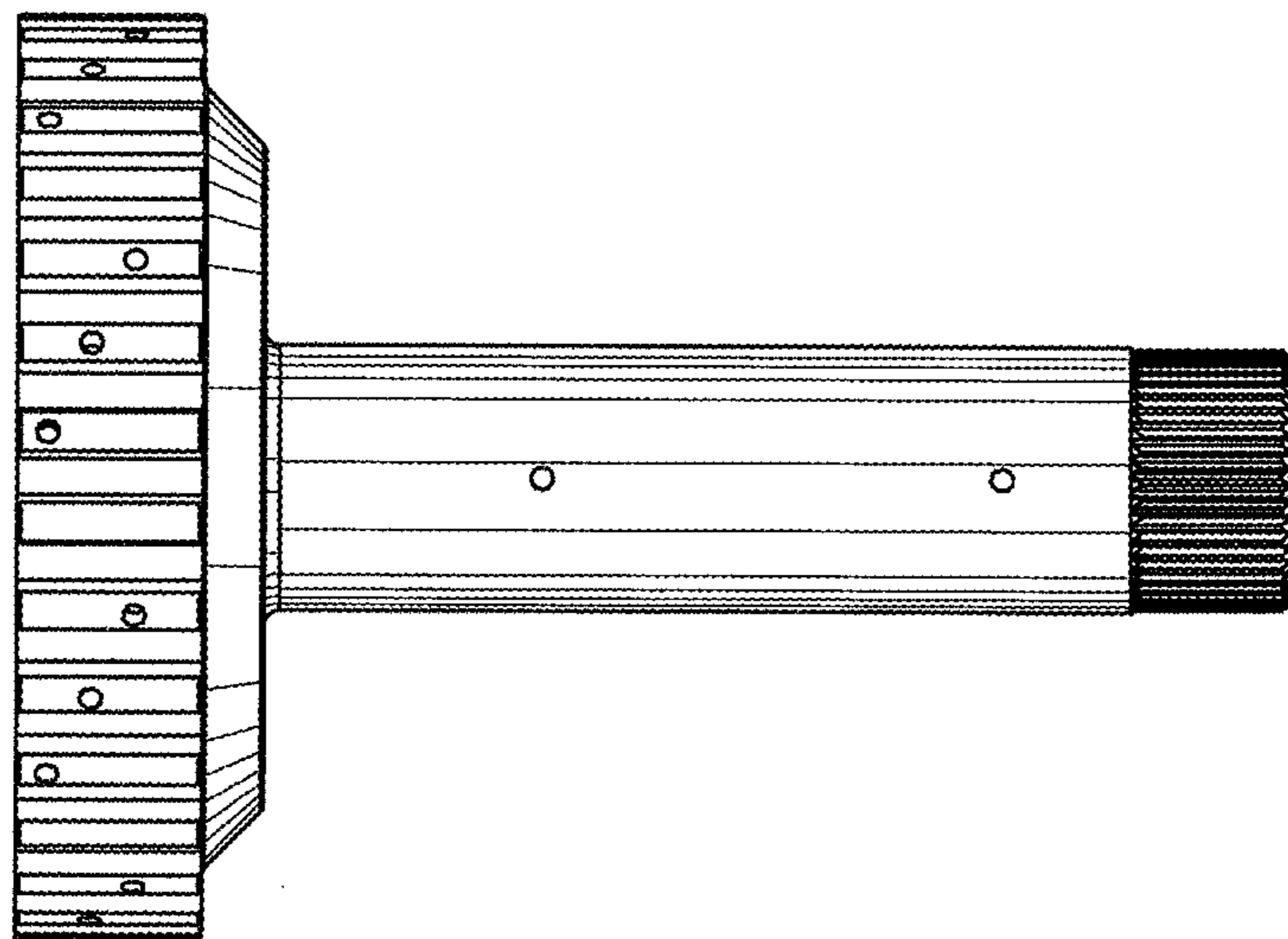


FIG. 8

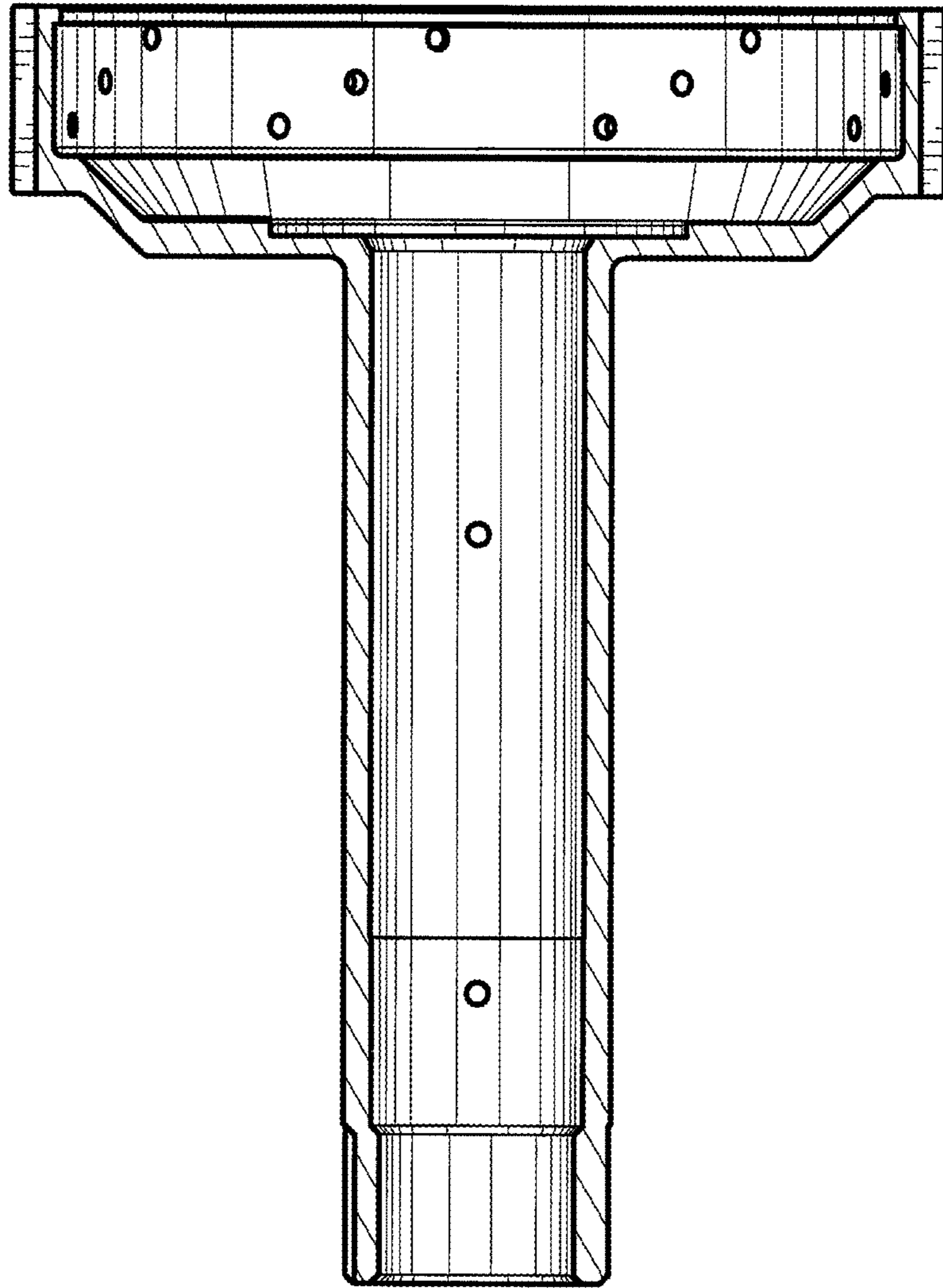


FIG. 9