



US00D949157S

(12) **United States Design Patent**
Lee et al.

(10) **Patent No.:** **US D949,157 S**
(45) **Date of Patent:** **** *Apr. 19, 2022**

(54) **STAND FOR MONITOR**

(71) Applicant: **LG ELECTRONICS INC.**, Seoul (KR)

(72) Inventors: **Eunbong Lee**, Seoul (KR); **Daihyung Ryu**, Seoul (KR)

(73) Assignee: **LG ELECTRONICS INC.**, Seoul (KR)

(*) Notice: This patent is subject to a terminal disclaimer.

(**) Term: **15 Years**

(21) Appl. No.: **35/510,066**

(22) Filed: **Feb. 10, 2020**

(80) **Hague Agreement Data**

Int. Filing Date: **Feb. 10, 2020**
Int. Reg. No.: **DM/206909**
Int. Reg. Date: **Feb. 10, 2020**
Int. Reg. Pub. Date: **Aug. 14, 2020**

(30) **Foreign Application Priority Data**

Aug. 21, 2019 (KR) 30-2019-0039960

(51) **LOC (13) Cl.** **14-02**

(52) **U.S. Cl.**
USPC **D14/451**

(58) **Field of Classification Search**

USPC D14/125-129, 132, 239, 336, 341,
D14/373-377, 380, 451; D24/185, 186
CPC G06F 1/1601; G06F 1/1605; G06F 1/162
See application file for complete search history.

(56) **References Cited**

U.S. PATENT DOCUMENTS

D430,570 S * 9/2000 Lee D14/451
D509,826 S * 9/2005 Jobs D14/371

D510,088 S * 9/2005 Jobs D14/371
D522,009 S * 5/2006 Chen D14/452
D555,657 S * 11/2007 Loyd D14/452
D598,917 S * 8/2009 Luber D14/375
D631,052 S * 1/2011 Hung D14/452
D638,022 S * 5/2011 Kasuga D14/451

(Continued)

OTHER PUBLICATIONS

Ergotron 45-241-026 LX Desk Monitor Arm and Mount, public availability date judged by earliest review date Mar. 15, 2010, [online] URL: <https://www.newegg.com/ergotron-desks-laptop-stands/p/N82E16824994063> (Year: 2010).*

(Continued)

Primary Examiner — L. A. Grabenstetter

(74) *Attorney, Agent, or Firm* — Birch, Stewart, Kolasch & Birch, LLP

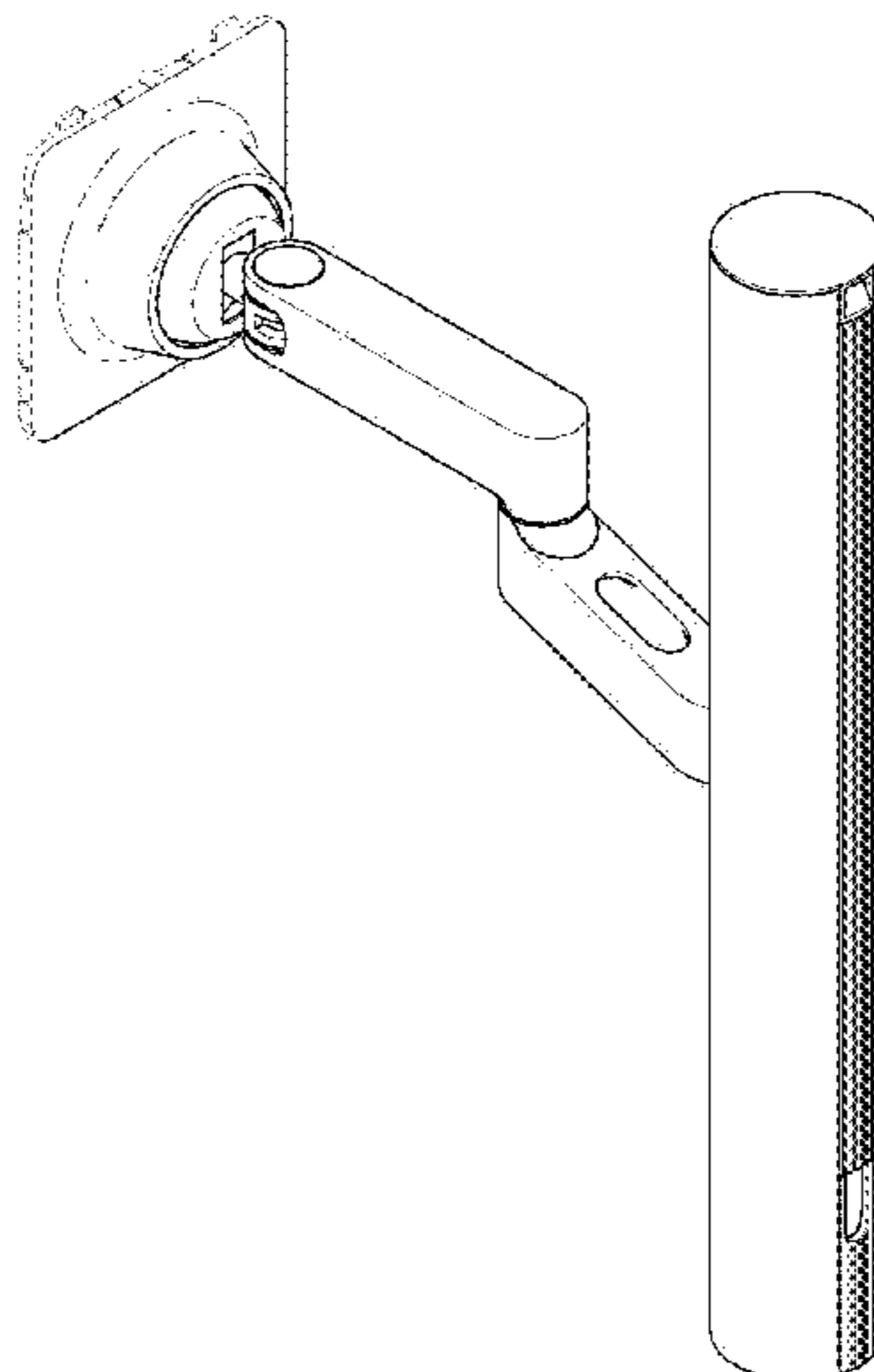
(57) **CLAIM**

The ornamental design for a stand for monitor, as shown and described.

DESCRIPTION

1. Stand for monitor
1.1 : Perspective
1.2 : Front
1.3 : Back
1.4 : Left
1.5 : Right
1.6 : Top
1.7 : Bottom
1.8 : Perspective view, showing the stand with the height adjusted
1.9 : Second Perspective view shown in a state of use
The broken lines indicate portions of the article that form no part of the claimed design. The broken lines in 1.9 depicting a monitor represent environmental subject matter which has been included to demonstrate a usage state for the stand for monitor, and form no part of the claimed design.

1 Claim, 9 Drawing Sheets



(56)

References Cited

U.S. PATENT DOCUMENTS

D655,532 S * 3/2012 Saelid D14/452
D685,806 S * 7/2013 Kim D14/451
D751,566 S * 3/2016 Anderson D14/452
9,316,346 B2 * 4/2016 Lau F16M 13/022
D758,375 S * 6/2016 Won D14/451
D767,669 S * 9/2016 Johnson D18/4.3
D830,371 S * 10/2018 Lau D14/452
D847,823 S * 5/2019 Monsalve D14/452
D849,013 S * 5/2019 Monsalve D14/452

OTHER PUBLICATIONS

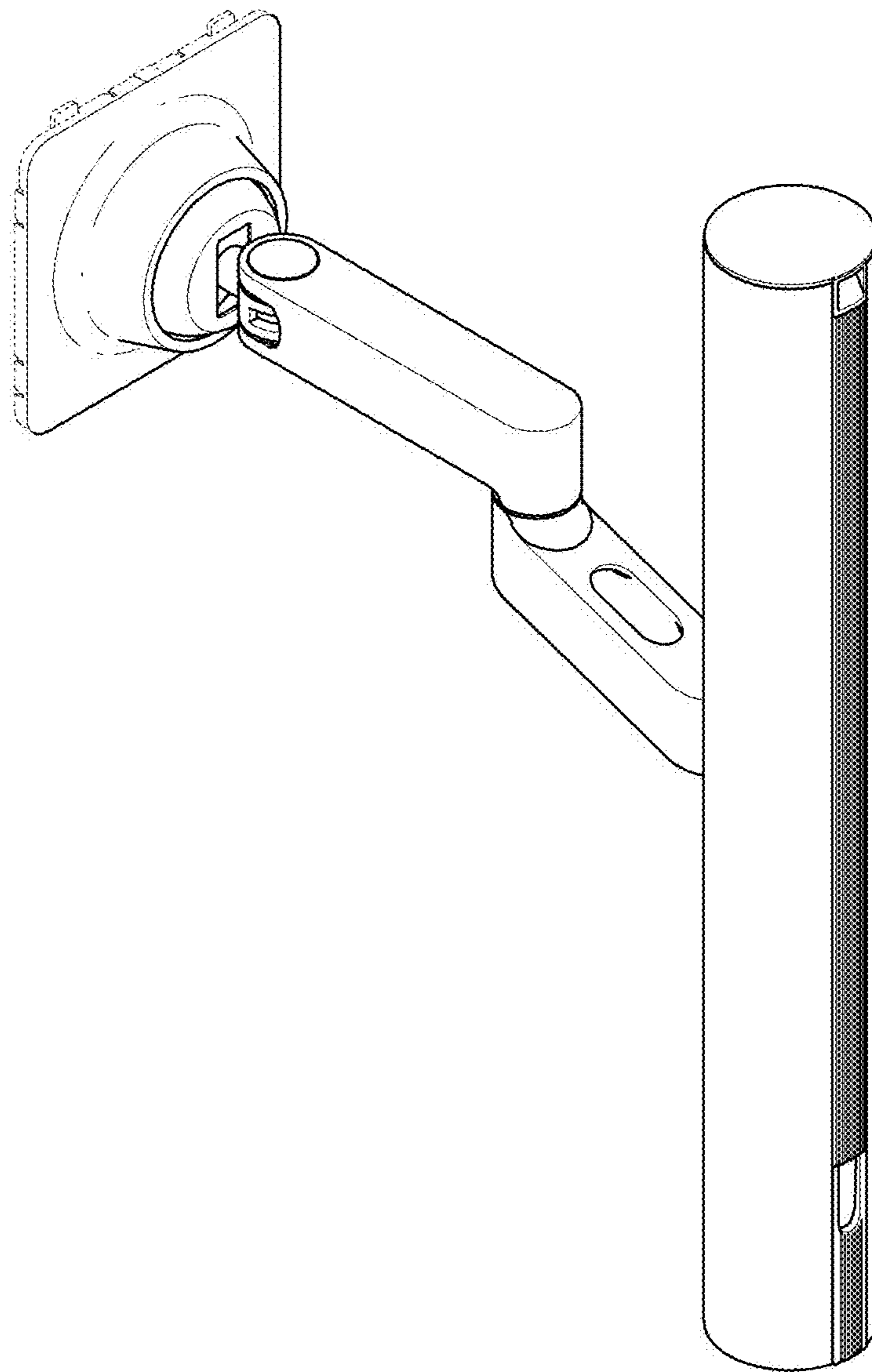
3M Dual-Swivel Monitor Arm, upload date Mar. 30, 2011, [online]
URL: <https://www.amazon.com/3M-Monitor-Holding-Monitors-MA140MB/dp/B009NSJ8J4> (Year: 2011).*

MonMount Adjustable Single Arm Monitor Mount, upload date Jun. 14, 2014, [online] URL: <https://www.amazon.com/MonMount-Extension-Articulation-Supports-LCD-1900B/dp/B00KZDXDCO> (Year: 2014).*

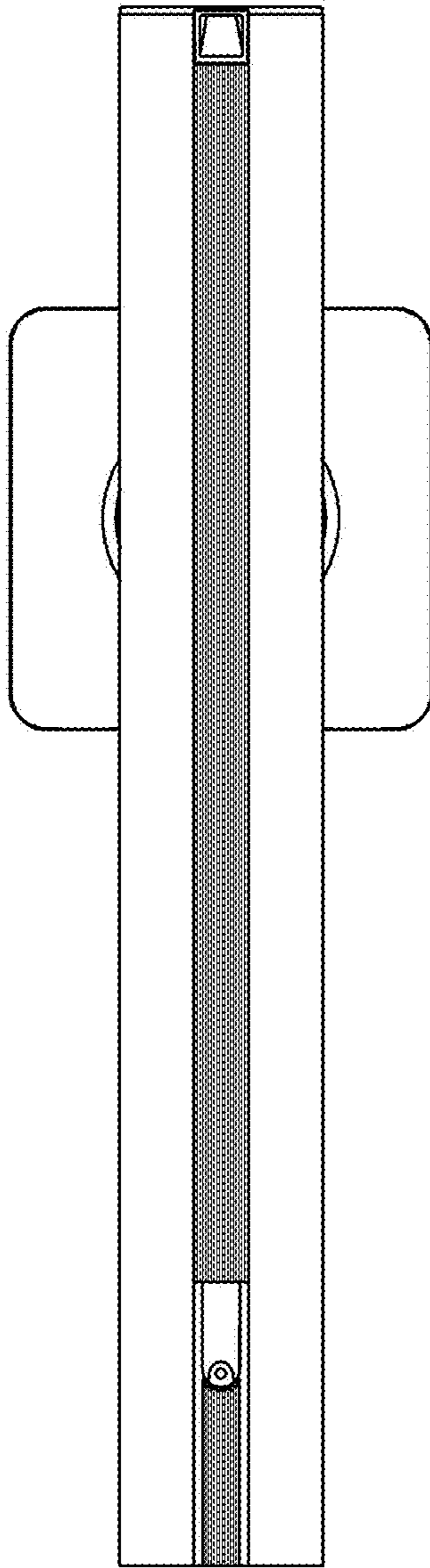
LG's latest UltraFine 4K monitor has a unique swiveling hinge, publication date Dec. 19, 2019, [online] URL: <https://www.theverge.com/circuitbreaker/2019/12/19/21029493/lg-ultrafine-ergo-4k-monitor-hinge-ces-2020> (Year: 2019).*

* cited by examiner

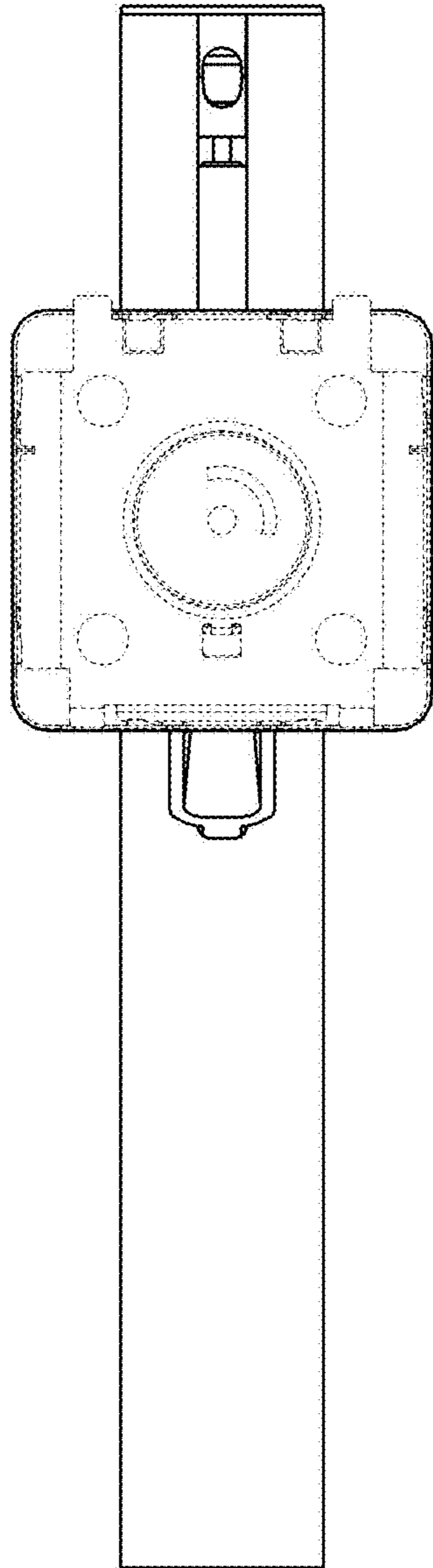
1.1



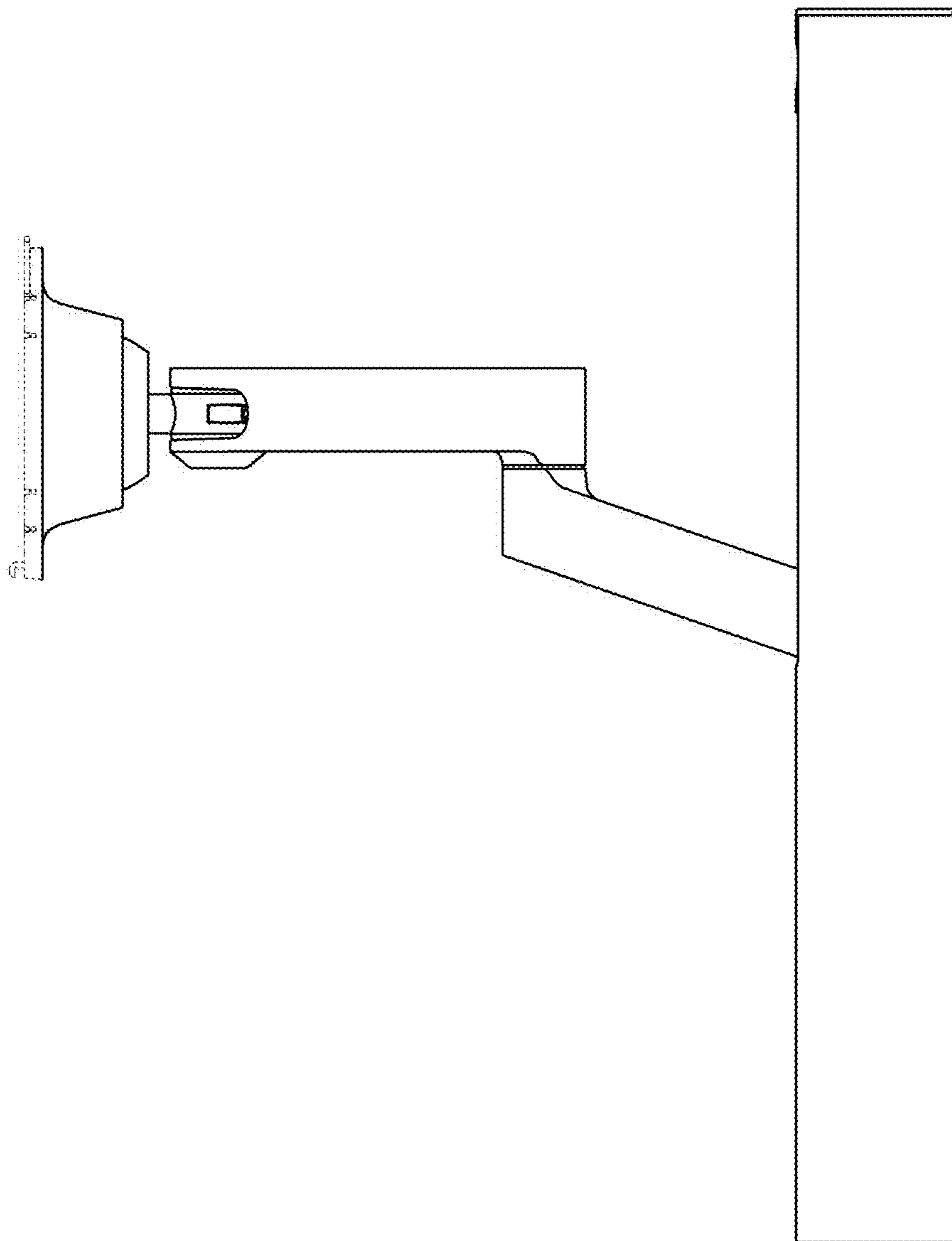
1.2



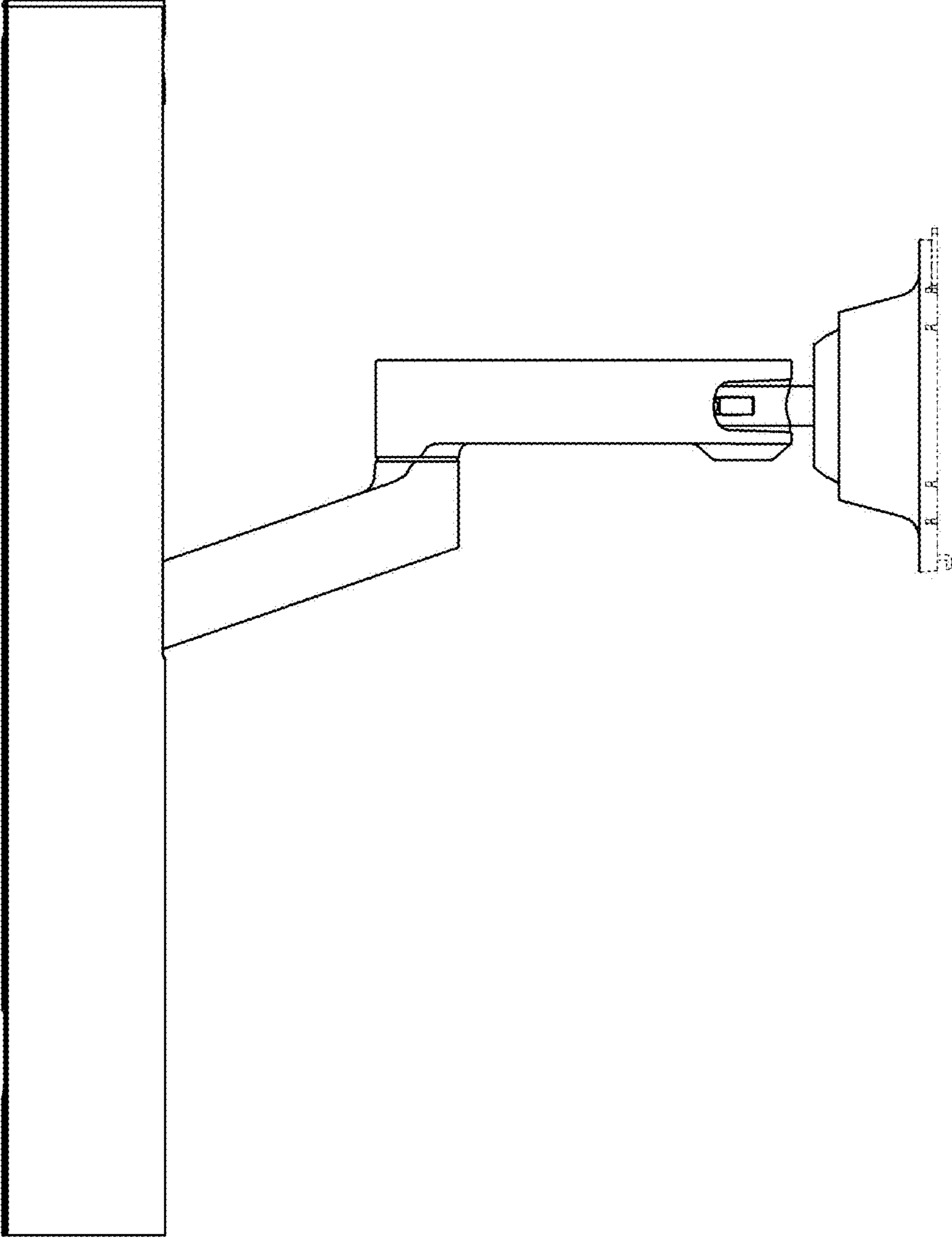
1.3



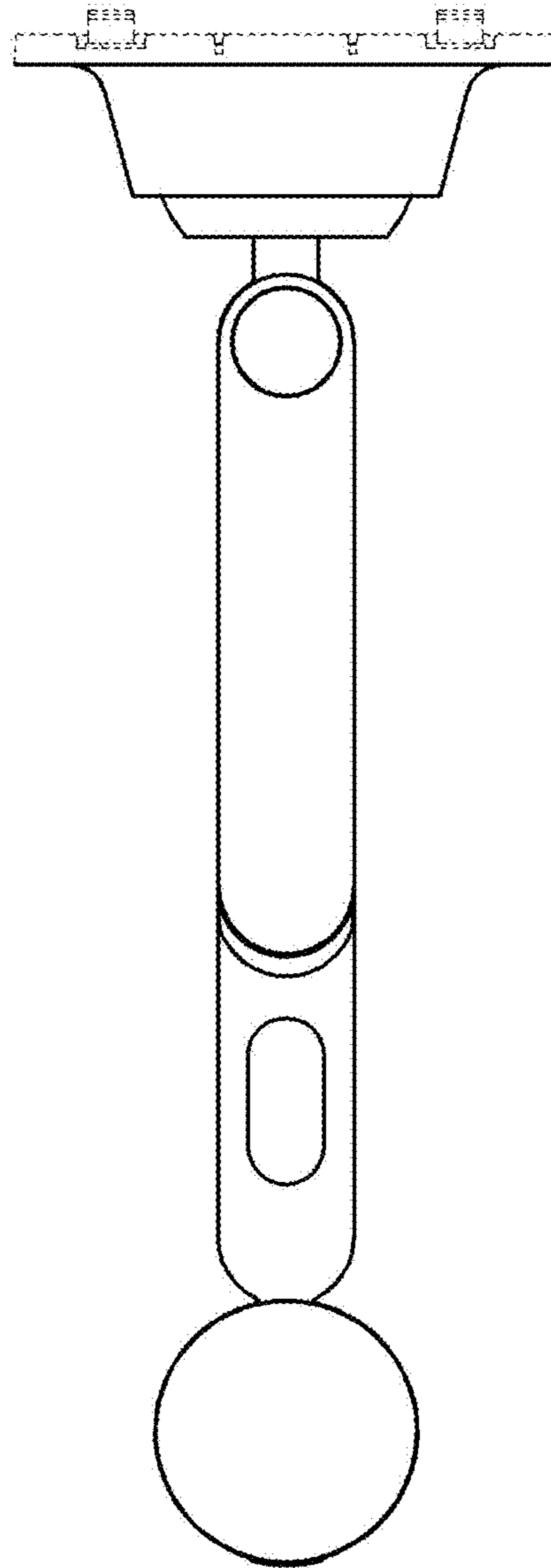
1.4



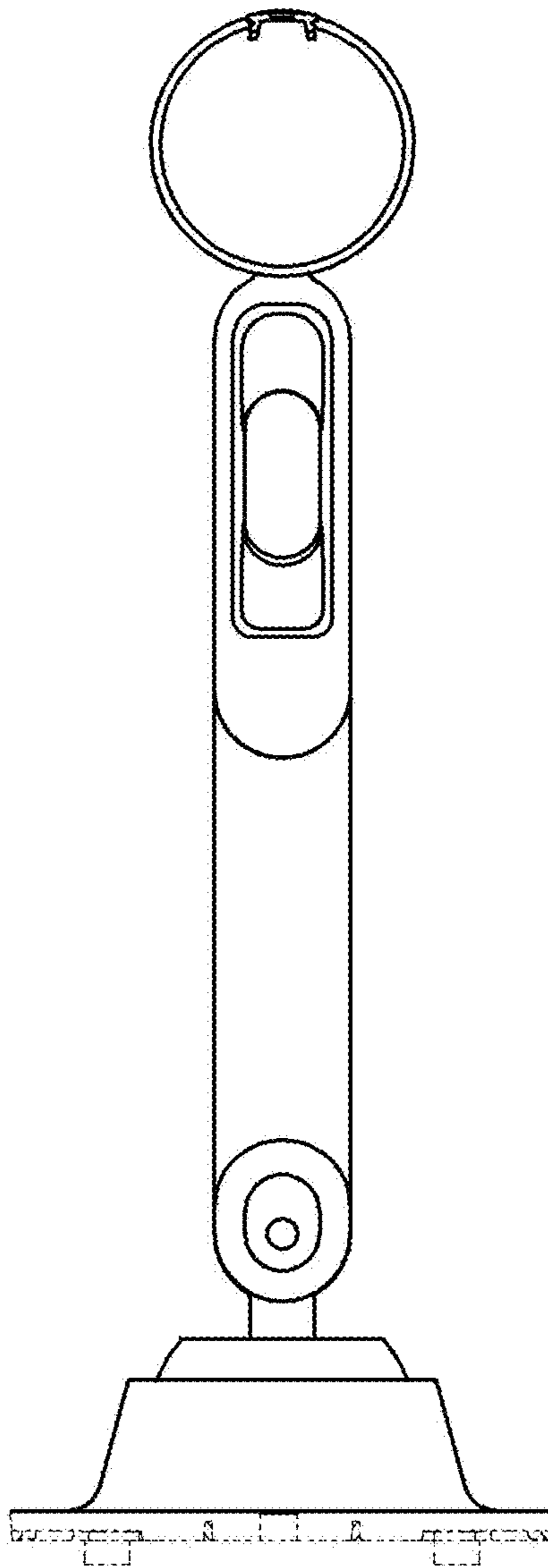
1.5



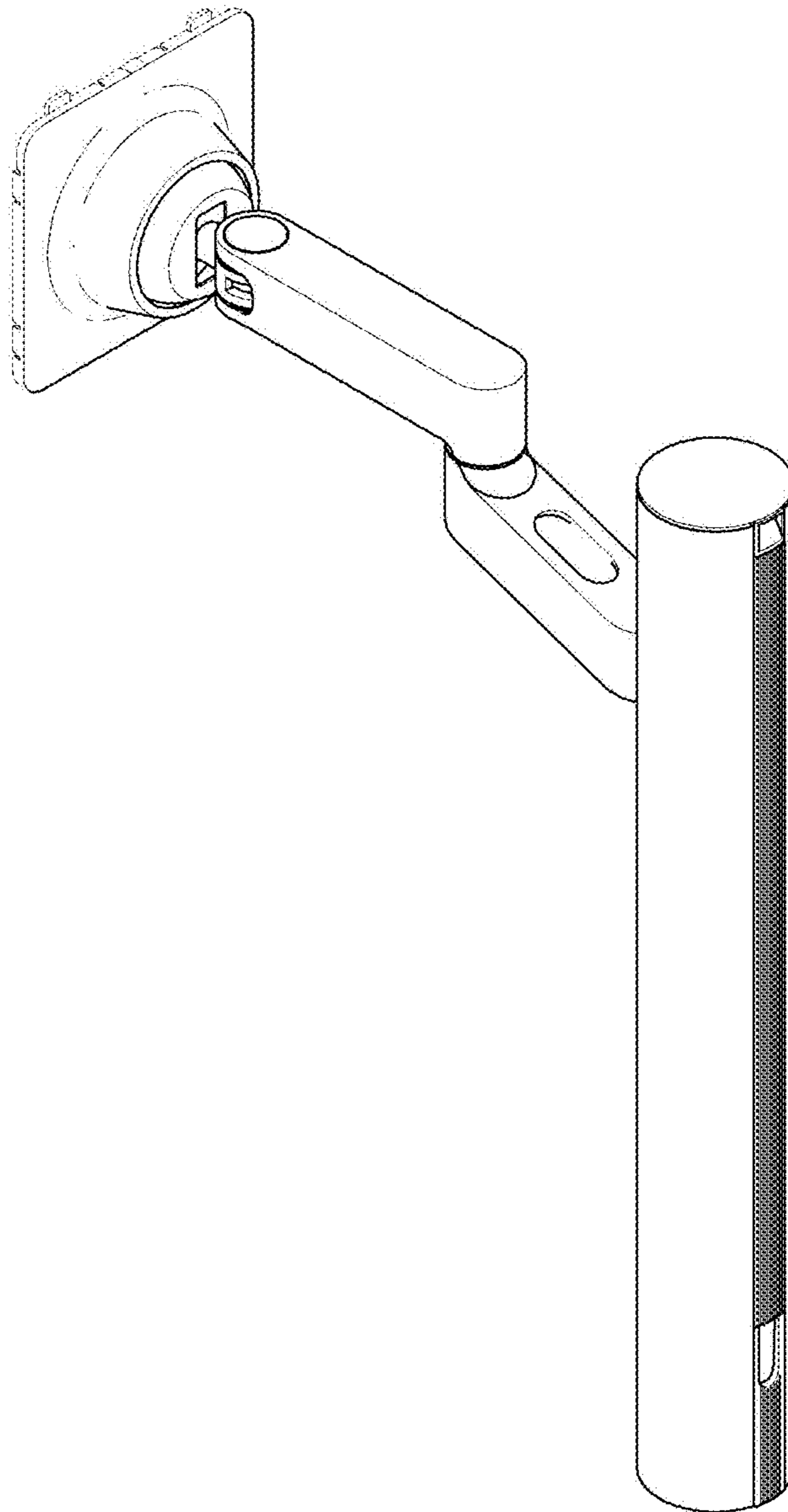
1.6



1.7



1.8



1.9

