



US00D949155S

(12) **United States Design Patent**
Okamoto et al.

(10) **Patent No.:** **US D949,155 S**
(45) **Date of Patent:** **** Apr. 19, 2022**

(54) **HOLDER FOR AN ELECTRONIC DEVICE
SUCH AS A TABLET OR TABLET-TYPE
COMPUTER**

(71) Applicant: **IDEC Corporation**, Osaka (JP)

(72) Inventors: **Souhei Okamoto**, Osaka (JP);
Momomi Oishi, Osaka (JP)

(73) Assignee: **IDEC Corporation**, Osaka (JP)

(**) Term: **15 Years**

(21) Appl. No.: **29/758,128**

(22) Filed: **Nov. 12, 2020**

(51) **LOC (13) Cl.** **08-07**

(52) **U.S. Cl.**
USPC **D14/447**

(58) **Field of Classification Search**
USPC D14/447, 432, 434, 439, 440, 451, 452,
D14/457, 239, 253; D8/363, 373, 380;
D6/406.3, 406.4, 406.5, 406.6; D12/415;
D21/333, 332
CPC A47B 21/04; A47B 2097/006; A47B
2097/005; A47B 2023/049; A45C
2011/002; A45C 2011/003; F16M
2200/00; F16M 13/00
See application file for complete search history.

(56) **References Cited**

U.S. PATENT DOCUMENTS

D630,222 S * 1/2011 Lin D14/447
D646,674 S * 10/2011 Liao D14/253

D650,774 S * 12/2011 Molter D14/239
D736,217 S * 8/2015 Wang D14/451
D748,099 S * 1/2016 Heid D14/447
D753,126 S * 4/2016 Alesi D14/447
D784,354 S * 4/2017 Abreu D14/447
D804,487 S * 12/2017 Theis D14/447
D825,574 S * 8/2018 Davies D14/447
D866,563 S * 11/2019 Zhang D14/447
D881,551 S * 4/2020 Feng D3/201
D910,612 S * 2/2021 Xiao D14/253
D916,694 S * 4/2021 Xiao D14/253

* cited by examiner

Primary Examiner — Angela J Lee

(74) *Attorney, Agent, or Firm* — W. F. Fasse

(57) **CLAIM**

The ornamental design for a holder for an electronic device such as a tablet or tablet-type computer, as shown and described.

DESCRIPTION

FIG. 1 is a front perspective view of a holder for an electronic device such as a tablet or tablet-type computer; FIG. 2 is a back perspective view thereof; FIG. 3 is a front view thereof; FIG. 4 is a back view thereof; FIG. 5 is a right side view thereof; FIG. 6 is a left side view thereof; FIG. 7 is a top view thereof; and, FIG. 8 is a bottom view thereof. The broken lines and areas within the broken lines illustrate portions of the holder that form no part of the claimed design.

1 Claim, 7 Drawing Sheets

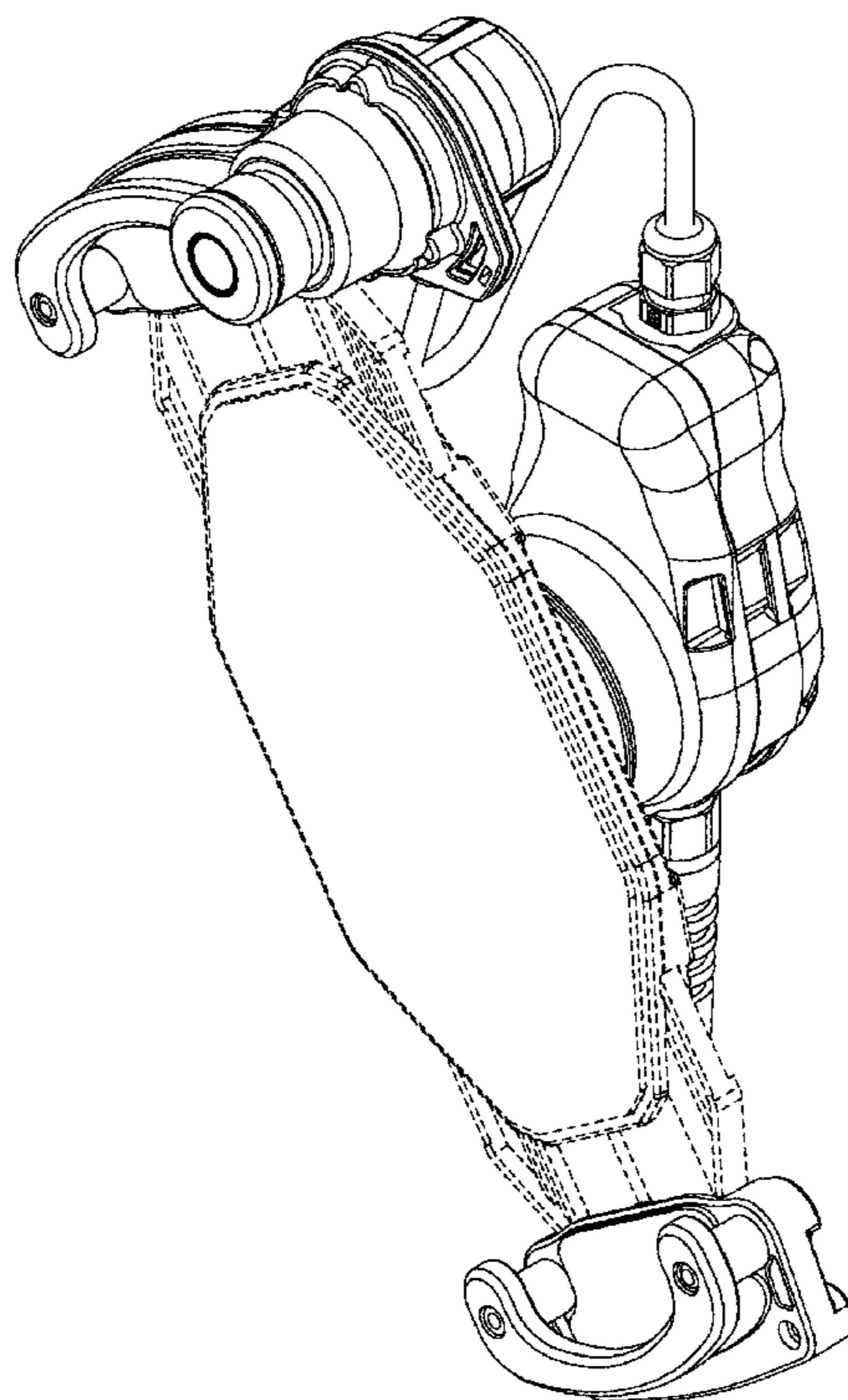


FIG. 1

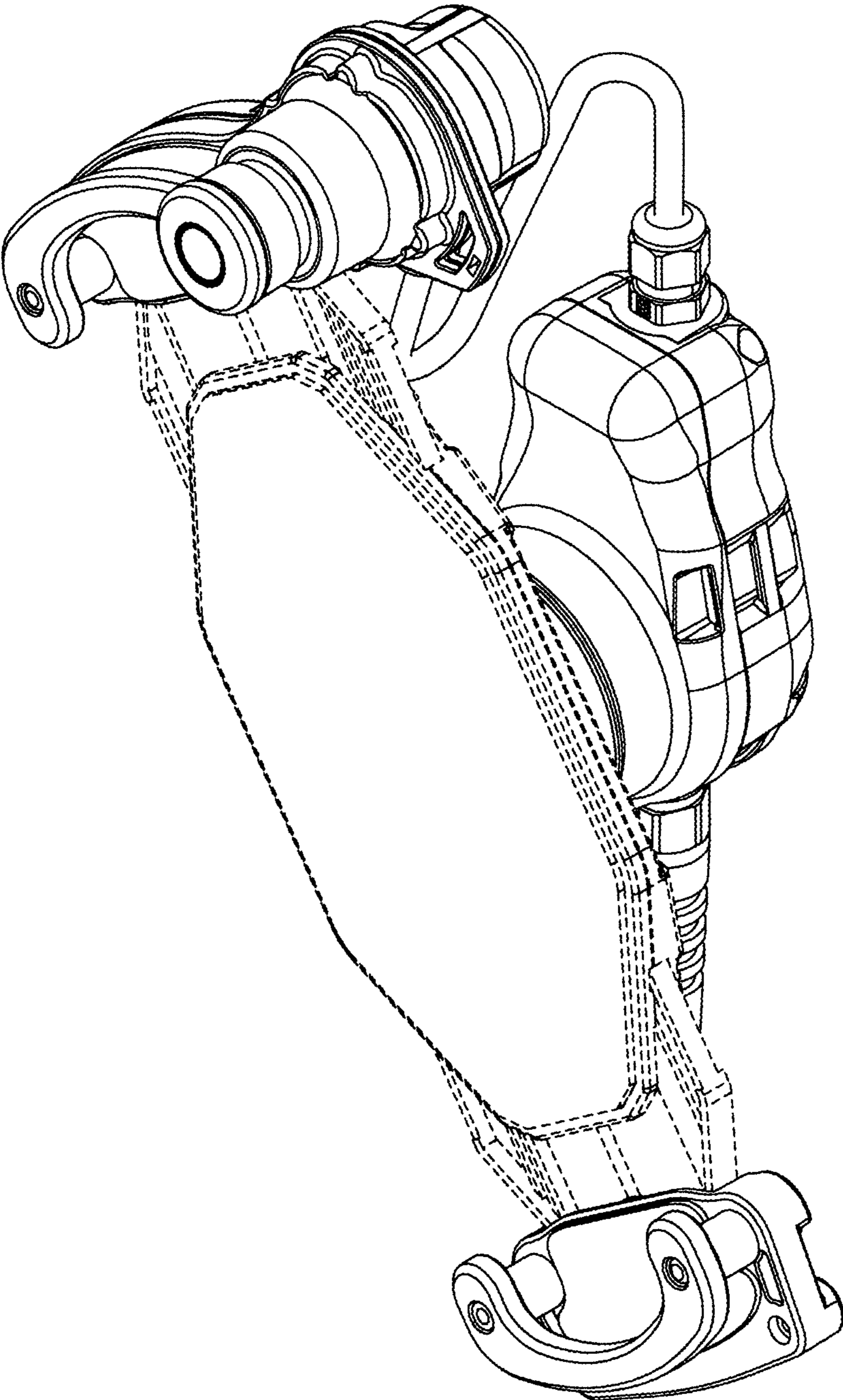


FIG. 2

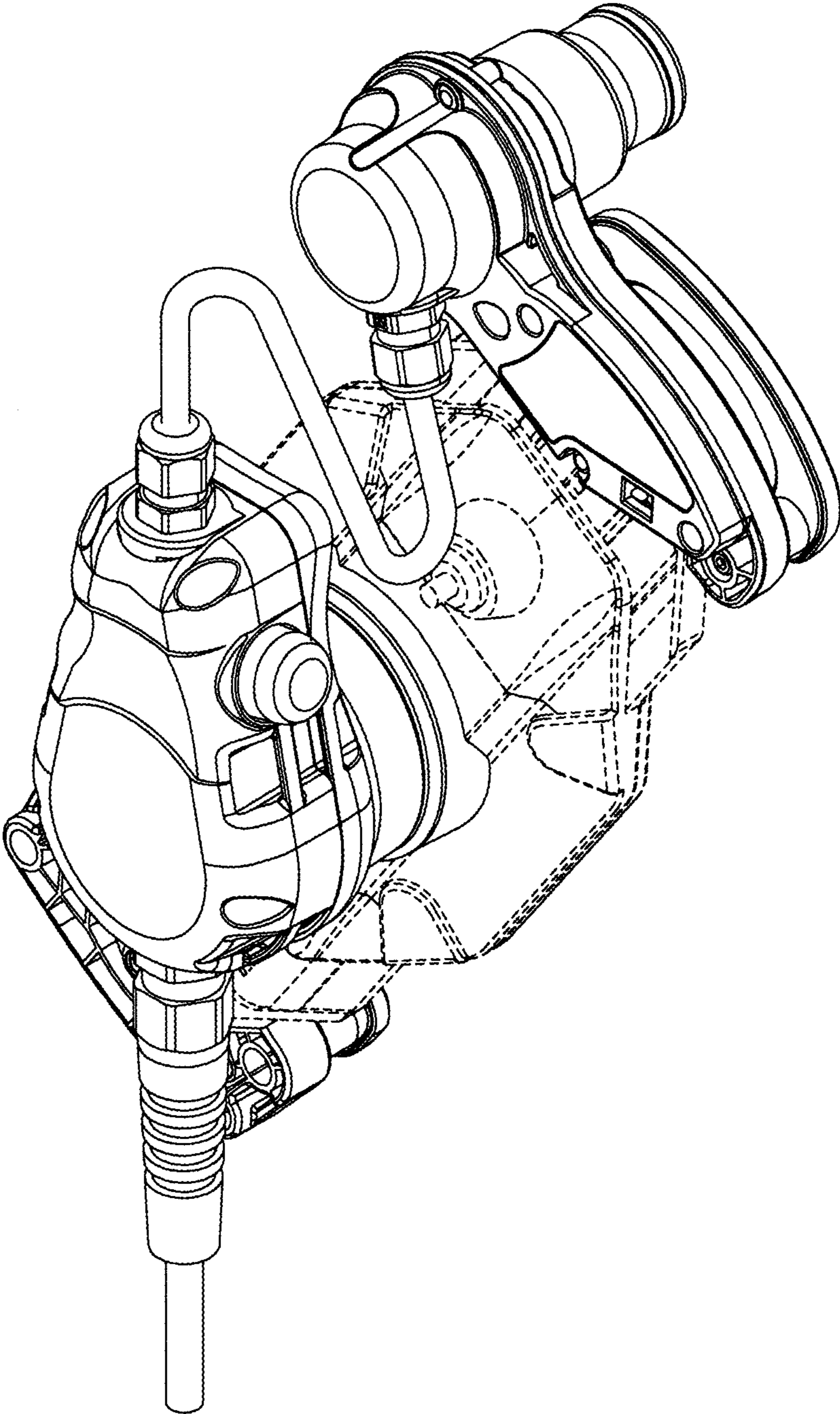


FIG. 3

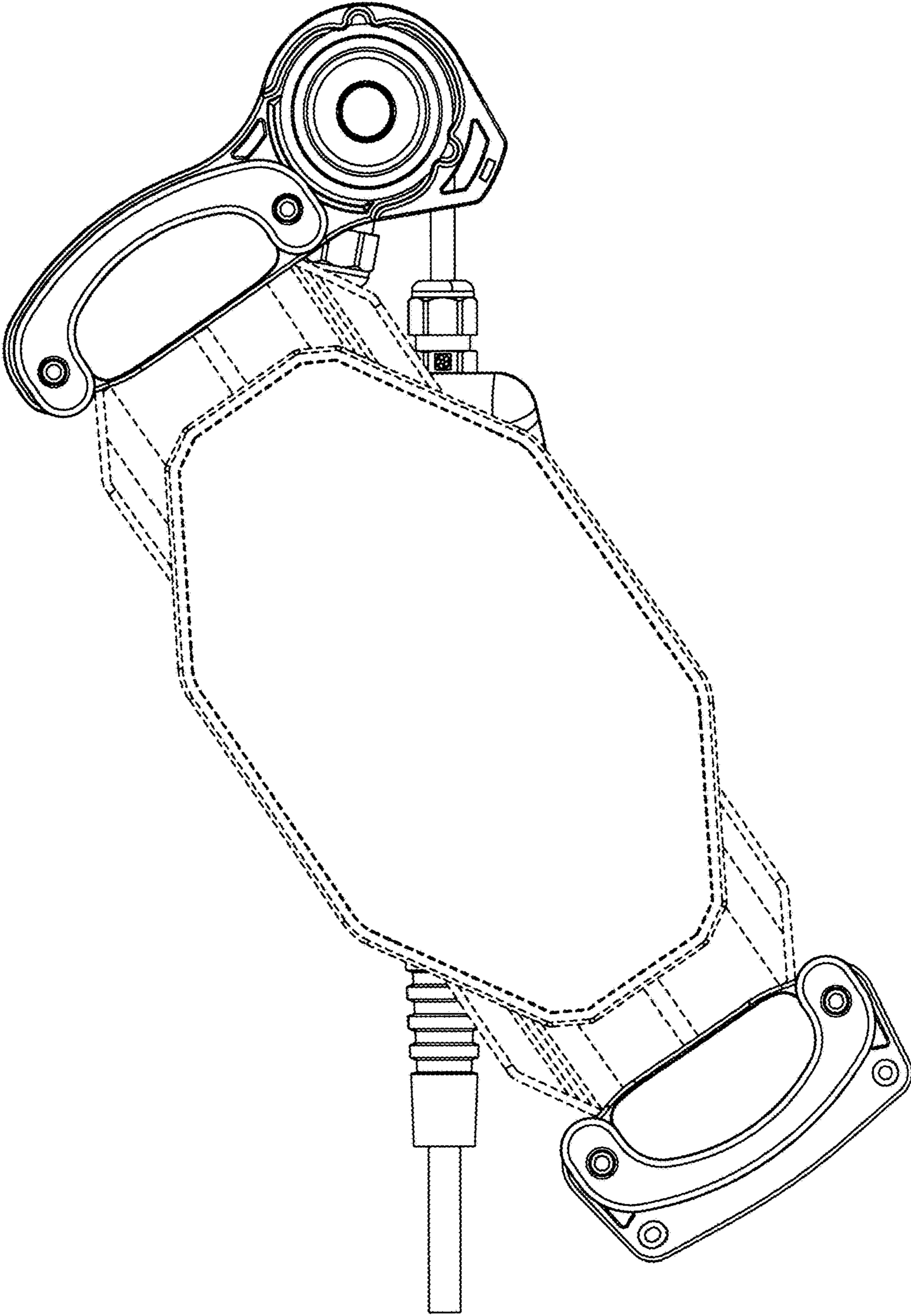


FIG. 4

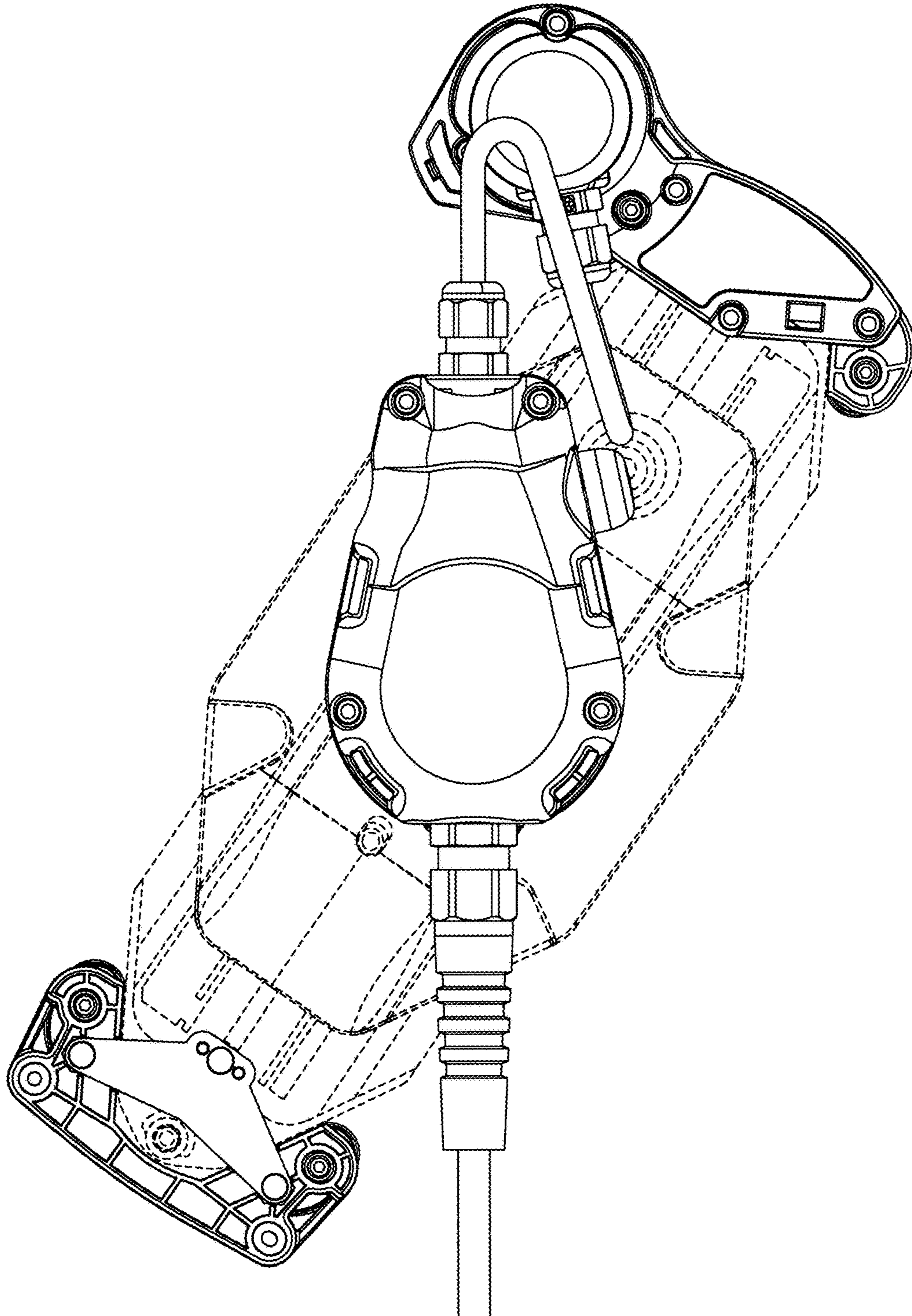


FIG. 5

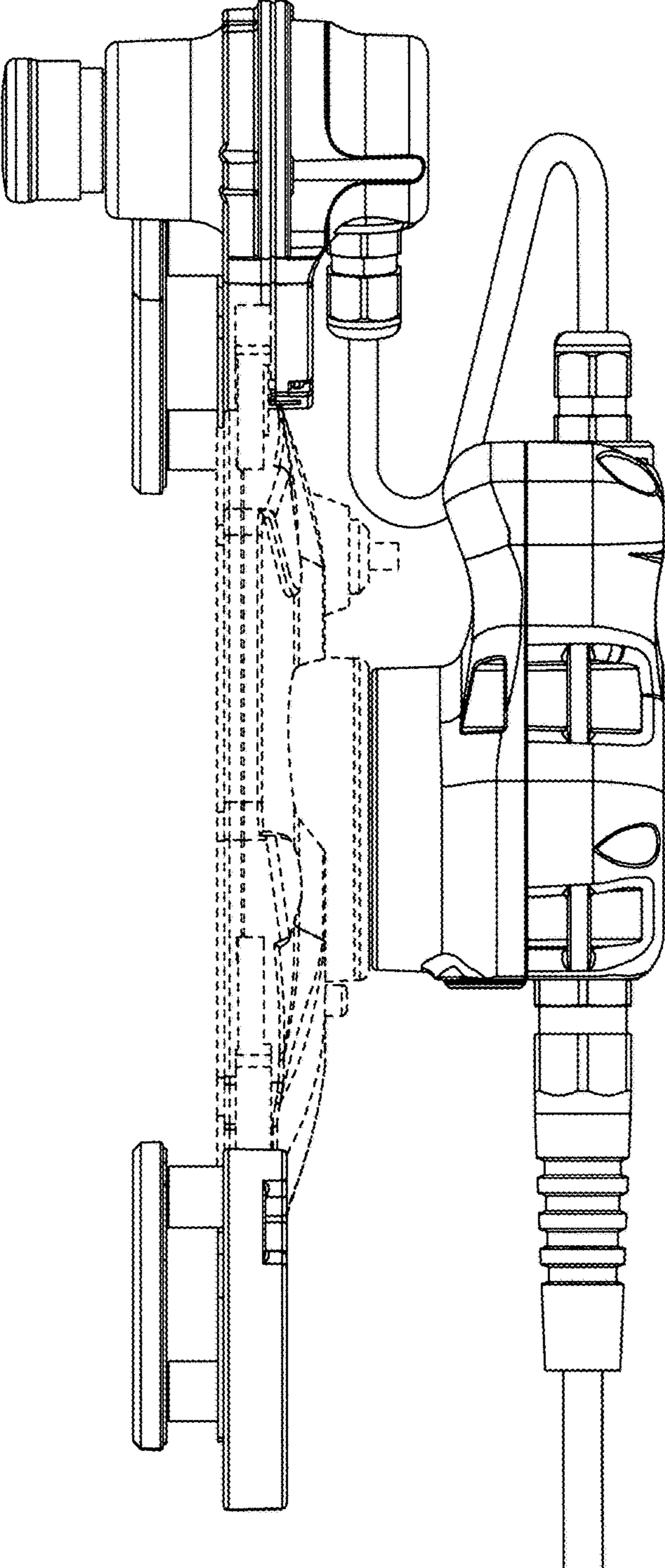


FIG. 6

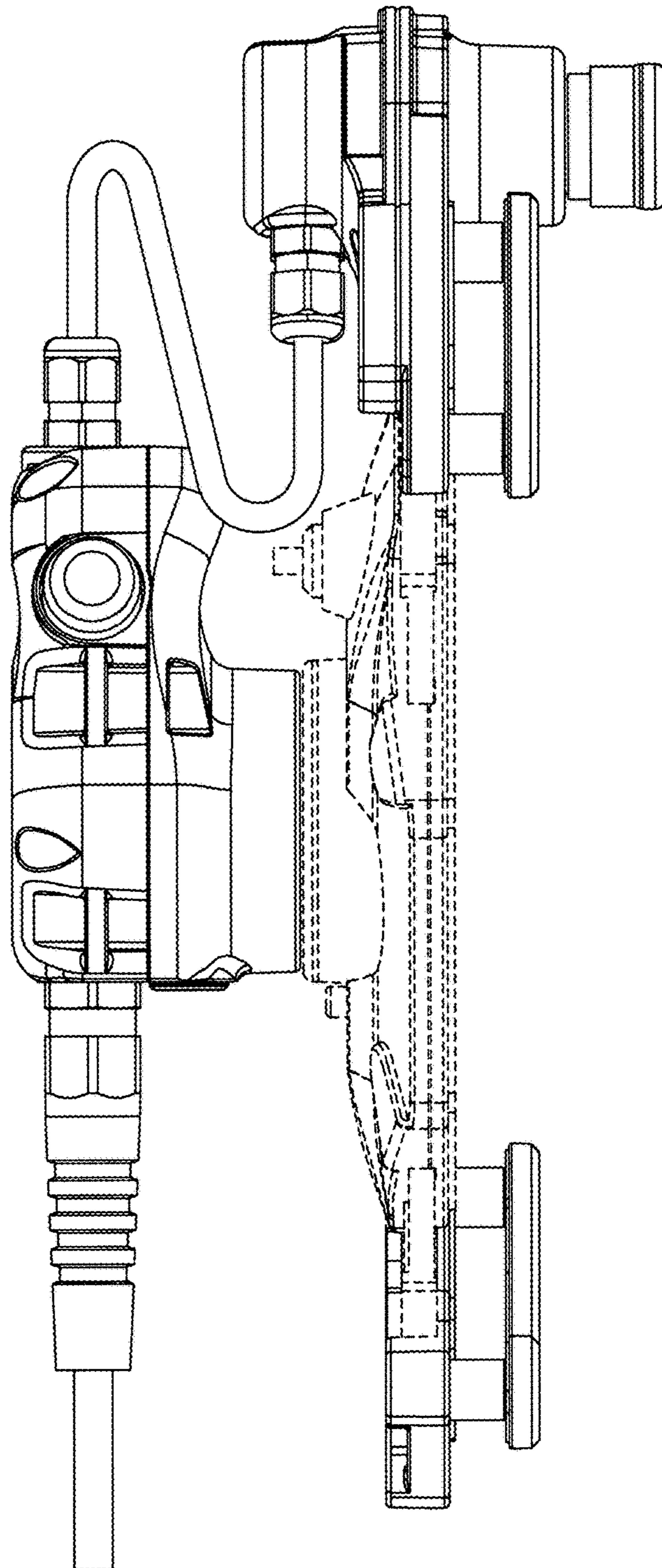


FIG. 7

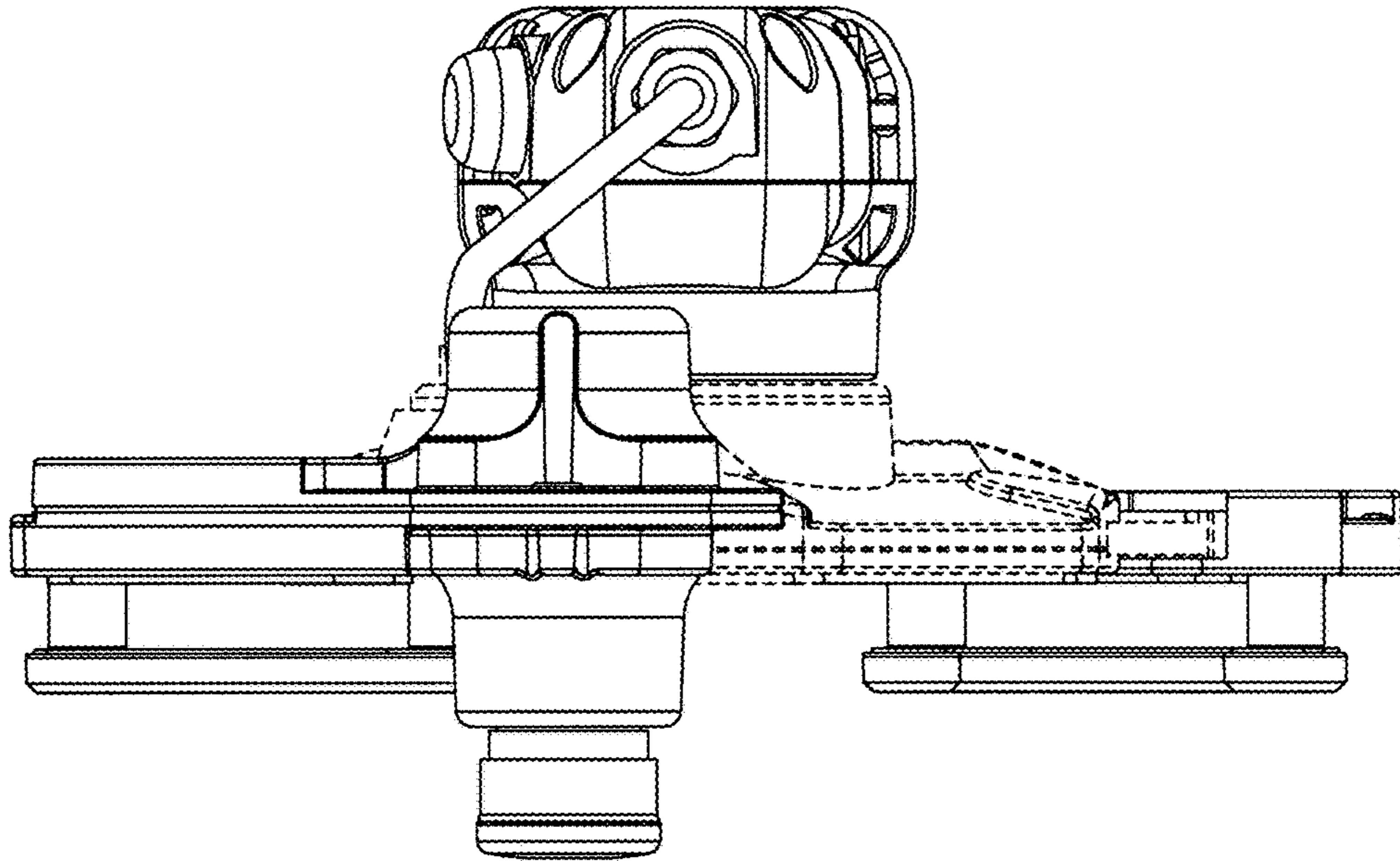


FIG. 8

