



US00D949153S

(12) **United States Design Patent** (10) **Patent No.:** **US D949,153 S**
Chen (45) **Date of Patent:** **** Apr. 19, 2022**

(54) **PROTECTIVE COVER FOR TABLET COMPUTER**

(71) Applicant: **Xiaoqing Chen**, Anhui (CN)

(72) Inventor: **Xiaoqing Chen**, Anhui (CN)

(**) Term: **15 Years**

(21) Appl. No.: **29/757,654**

(22) Filed: **Nov. 9, 2020**

(51) **LOC (13) Cl.** **14-02**

(52) **U.S. Cl.**
USPC **D14/440**

(58) **Field of Classification Search**
USPC D14/440, 447, 250; 206/45.23, 320,
206/45.2; 361/679.55; 294/25; 224/218;
455/575.8

CPC ... G06F 1/1628; G06F 1/1626; A47B 23/044;
H04B 1/3888; A45C 11/00

See application file for complete search history.

(56) **References Cited**

U.S. PATENT DOCUMENTS

D660,305 S *	5/2012	Ho	D14/447
9,074,725 B2 *	7/2015	Trotsky	H05K 5/0204
D747,321 S *	1/2016	London	D14/440
D790,550 S *	6/2017	Chen	D14/440
D824,911 S *	8/2018	London	D14/440
D837,219 S *	1/2019	Gao	D14/440
D851,649 S *	6/2019	Tan	D14/440
D858,507 S *	9/2019	Jang	D14/251
D874,454 S *	2/2020	Lederer	D14/253
D883,987 S *	5/2020	Cheng	D14/440
D897,348 S *	9/2020	Liao	D14/440
D898,036 S *	10/2020	Cheng	D14/440
D906,337 S *	12/2020	Cheng	D14/440
D912,282 S *	3/2021	Kim	D14/447
D917,491 S *	4/2021	Cheng	D14/440
D924,877 S *	7/2021	Weng	D14/440

D925,543 S *	7/2021	Ma	D14/440
D926,193 S *	7/2021	Ma	D14/440
D937,275 S *	11/2021	Cheng	D14/440
2010/0123062 A1 *	5/2010	Jones	F16M 13/02 248/222.14
2012/0104185 A1 *	5/2012	Carroll	F16M 11/041 248/27.1
2015/0009610 A1 *	1/2015	London	G06F 1/163 361/679.03
2017/0196327 A1 *	7/2017	Ma	H04B 1/3888

* cited by examiner

Primary Examiner — Cynthia R Underwood

(57) **CLAIM**

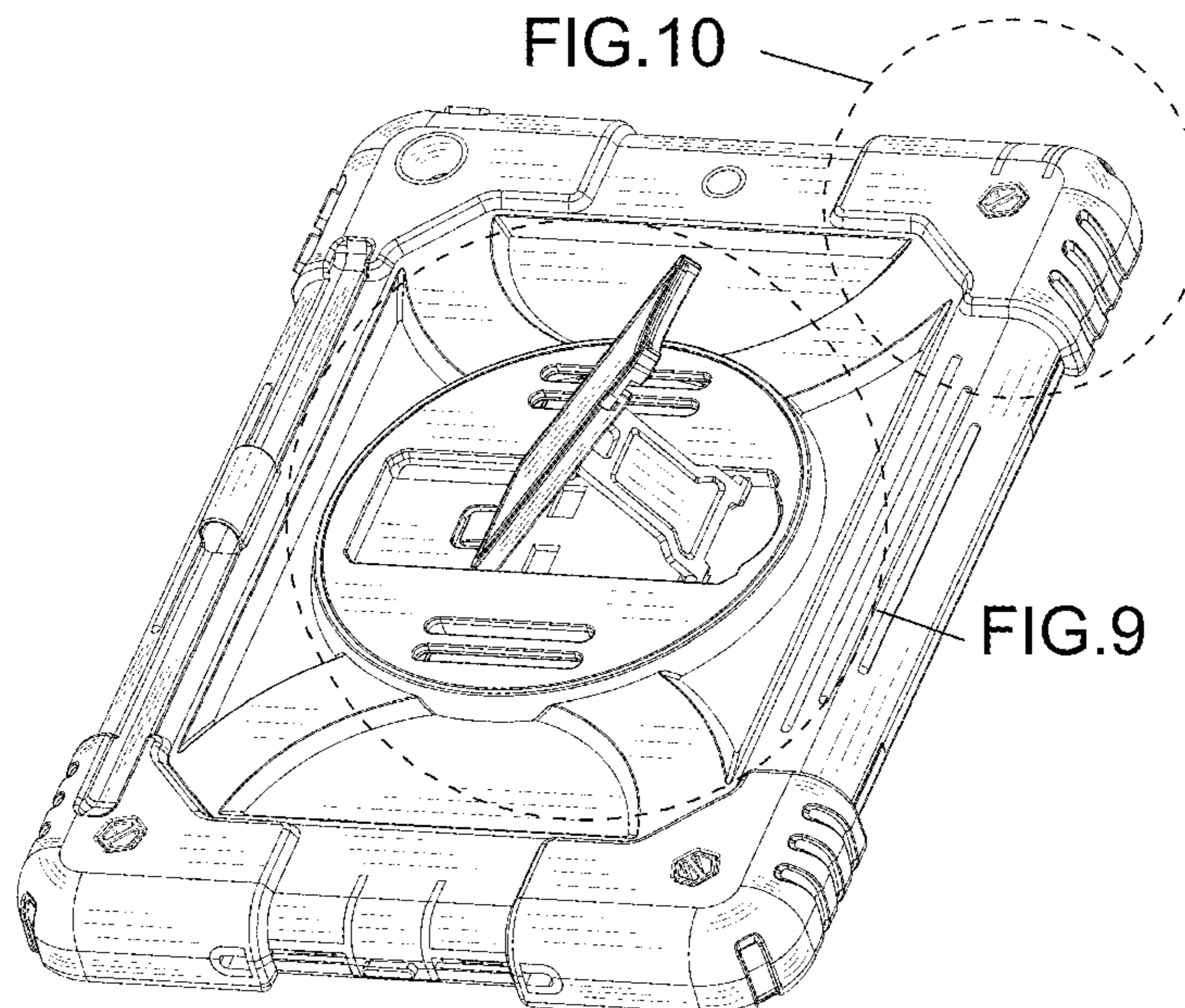
The ornamental design for a protective cover for tablet computer, as shown and described.

DESCRIPTION

FIG. 1 is a perspective view of a protective cover for tablet computer showing my new design;
 FIG. 2 is a front elevational view thereof;
 FIG. 3 is a rear elevational view thereof;
 FIG. 4 is a left side elevational view thereof;
 FIG. 5 is a right side elevational view thereof;
 FIG. 6 is a top plan view thereof;
 FIG. 7 is a bottom plan view thereof;
 FIG. 8 is another perspective view thereof;
 FIG. 9 is an enlarged perspective view taken from the area marked "9" in FIG. 1;
 FIG. 10 is an enlarged perspective view taken from the area marked "10" in FIG. 1; and,
 FIG. 11 is an enlarged perspective view taken from the area marked "11" in FIG. 8.

The broken lines depict portions of the protective cover for tablet computer and marker lines indicating where the borders where the enlarged figures were taken. The broken lines form no part of the claim.

1 Claim, 11 Drawing Sheets



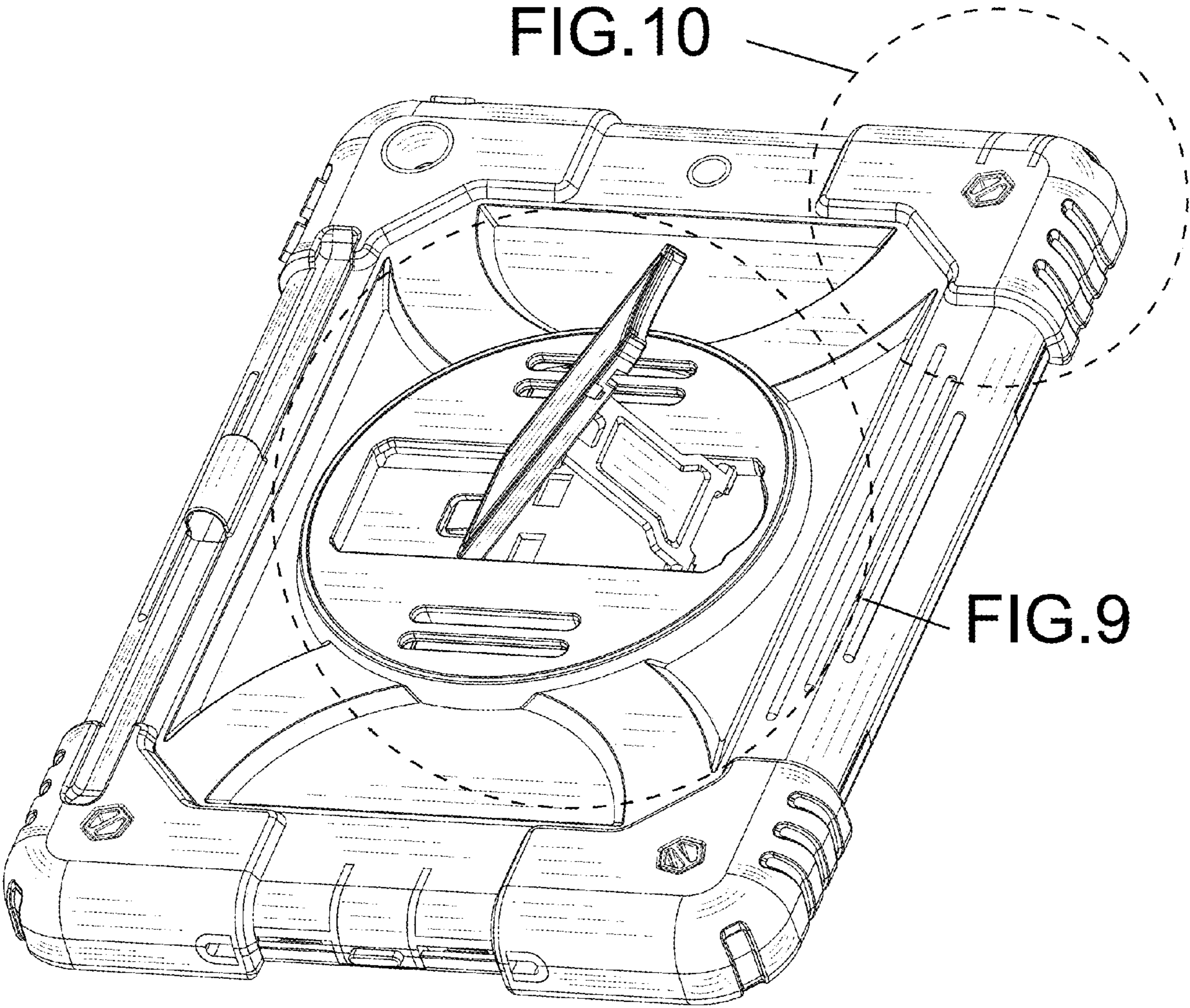


FIG.1

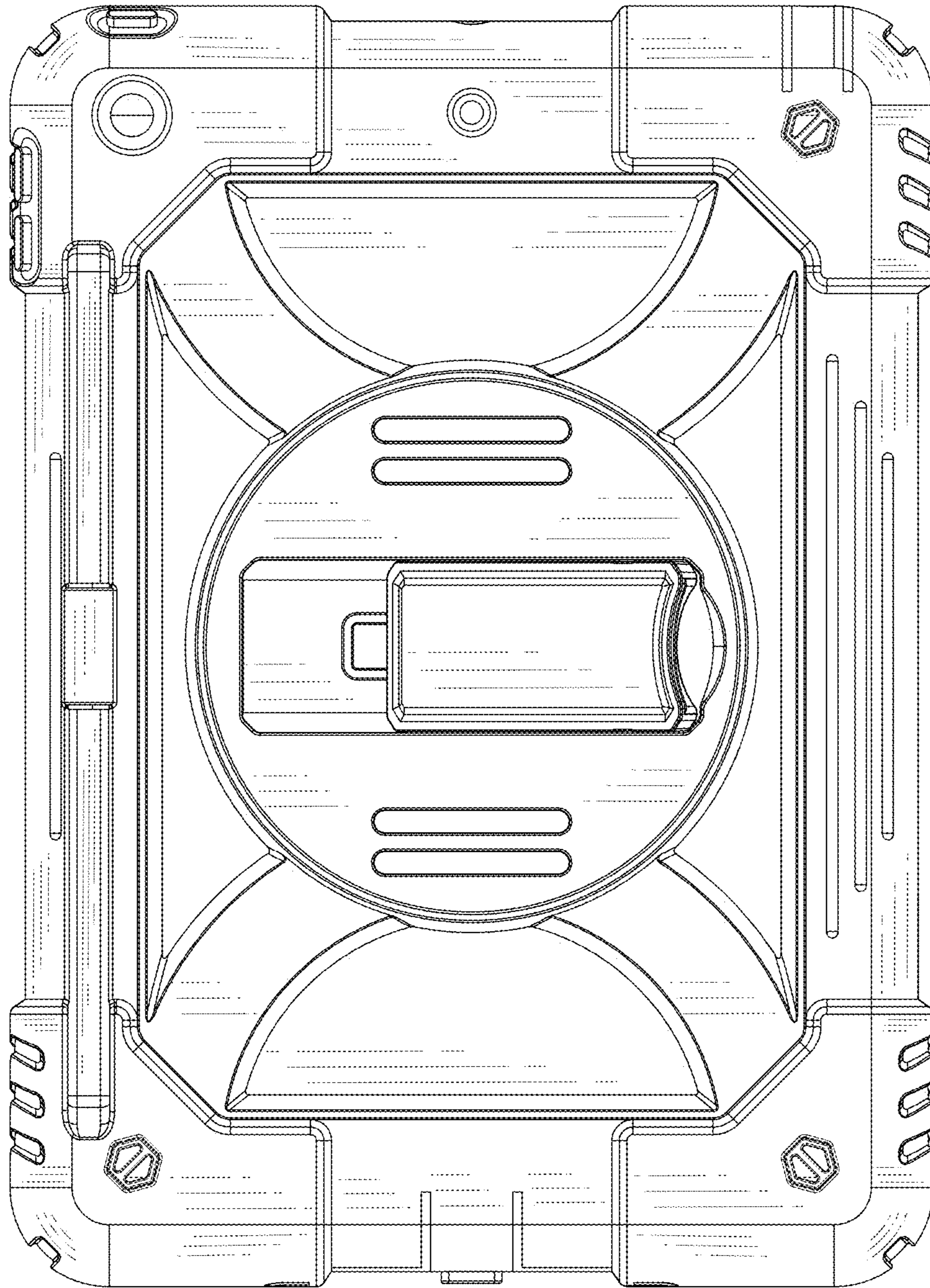


FIG.2

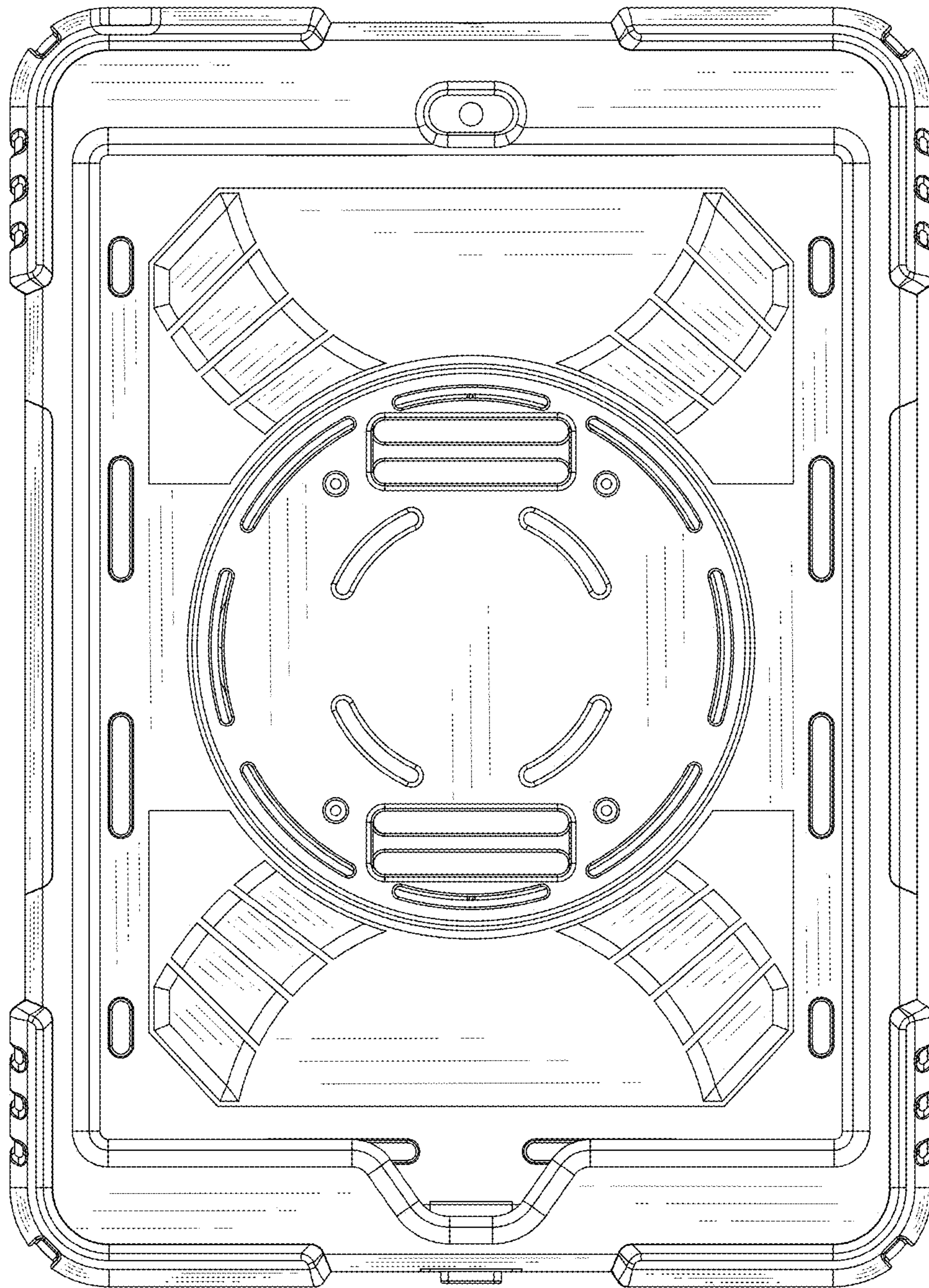


FIG.3

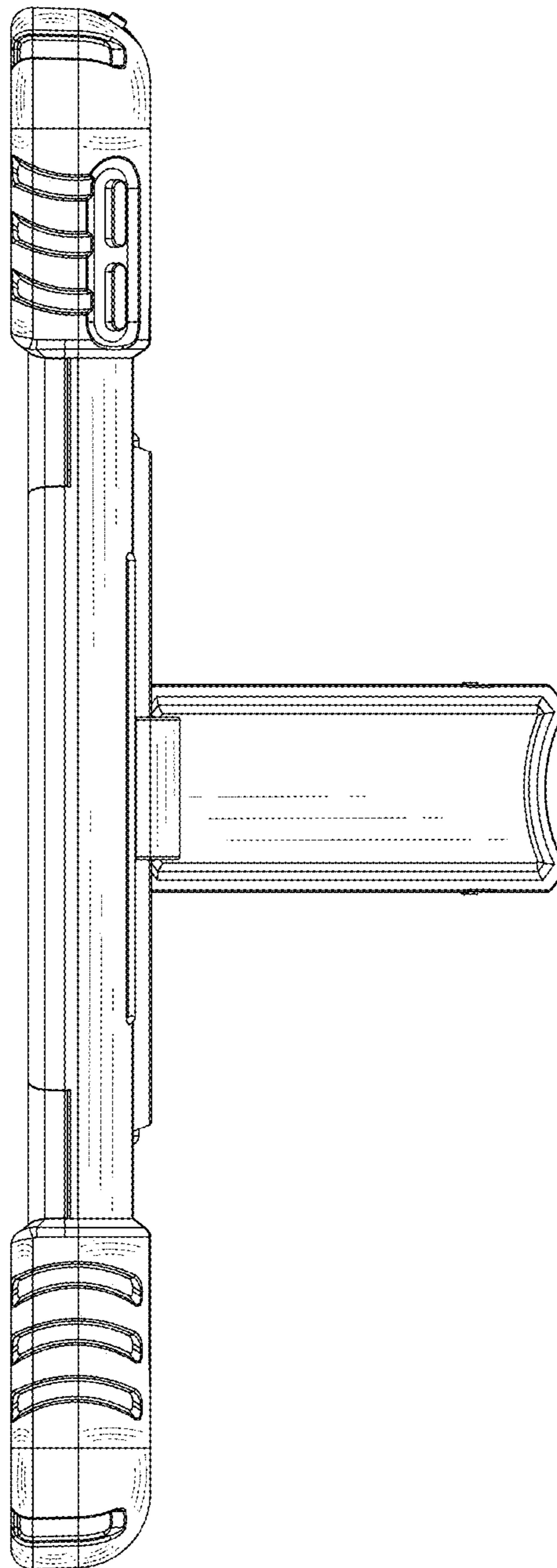


FIG.4

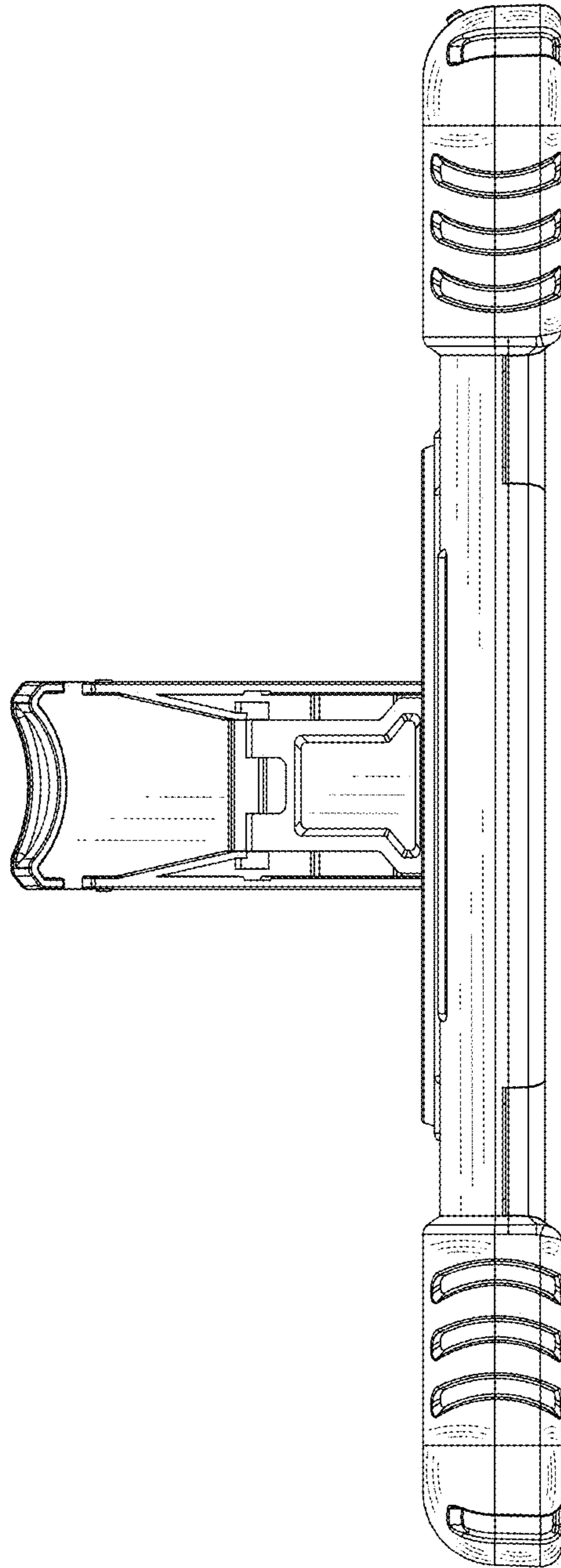


FIG.5

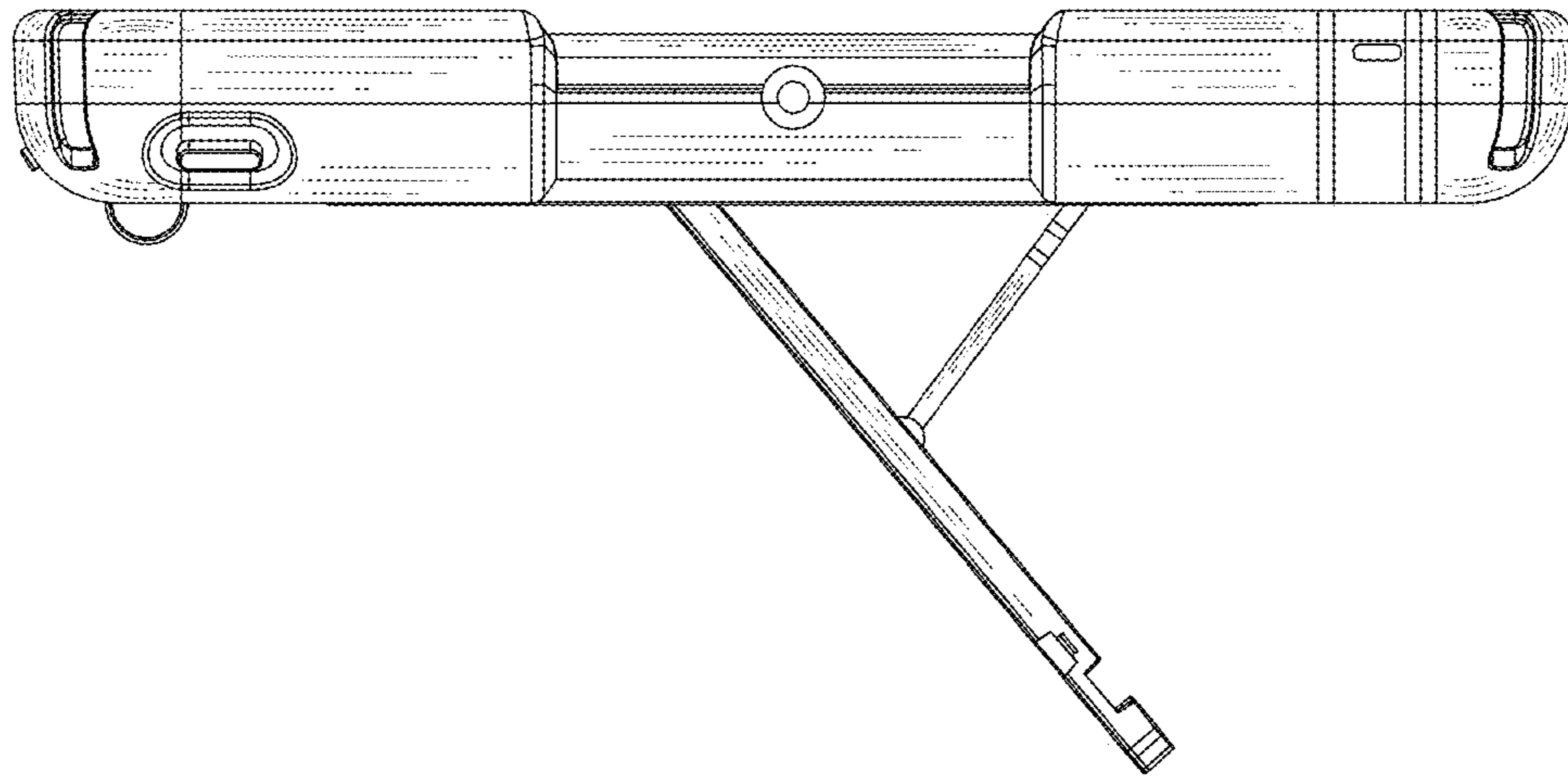


FIG.6

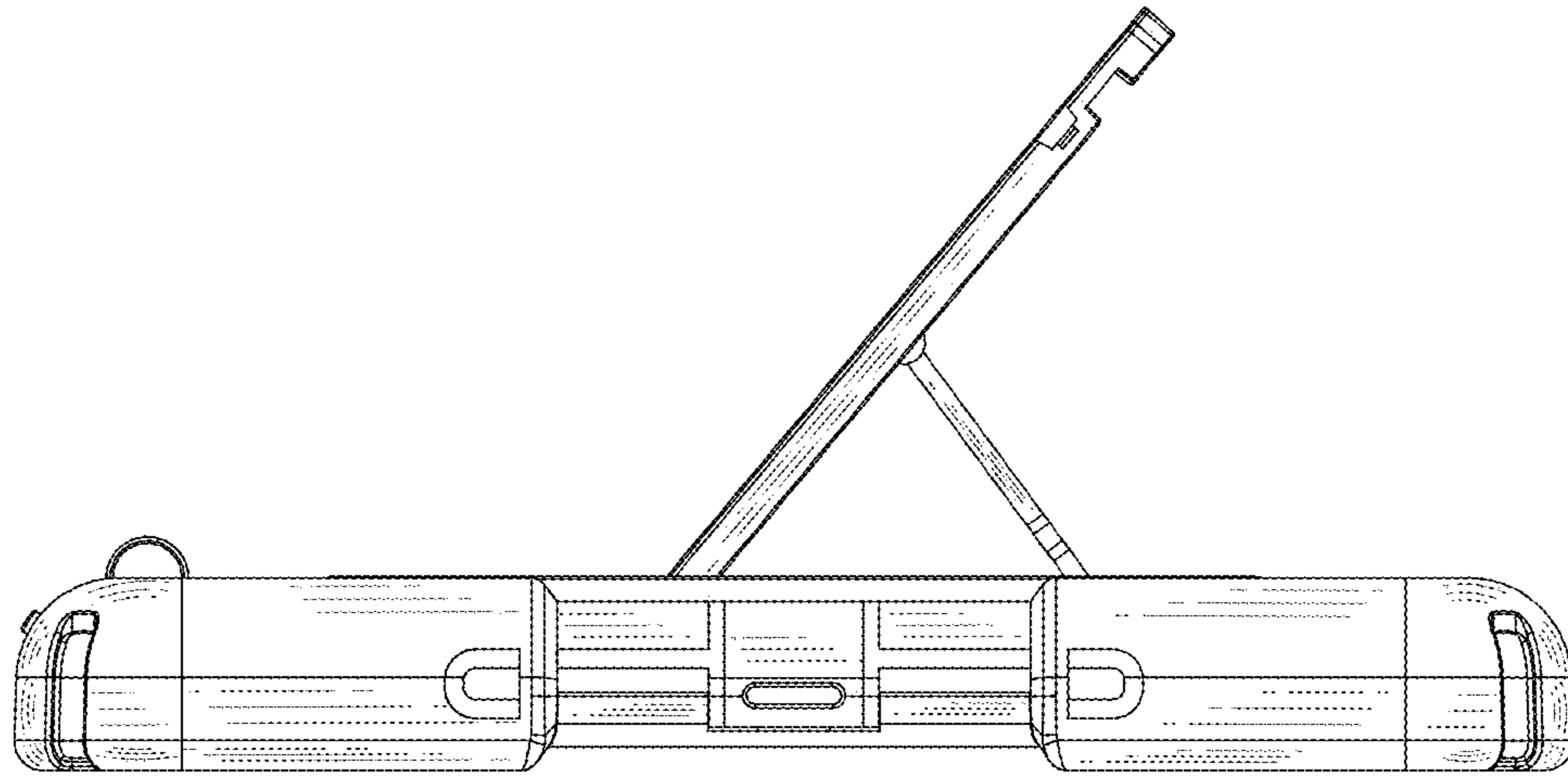


FIG.7

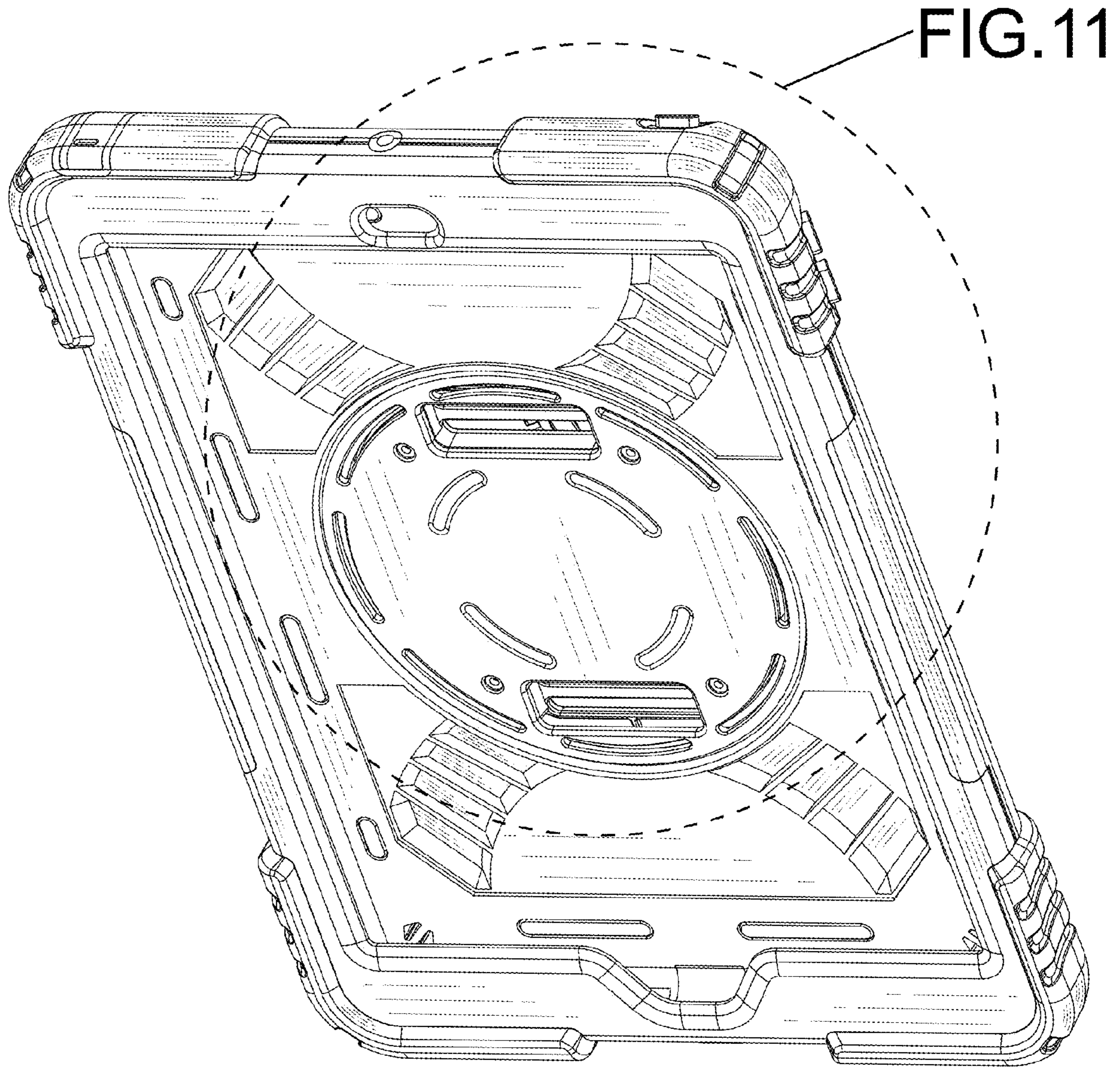


FIG.8

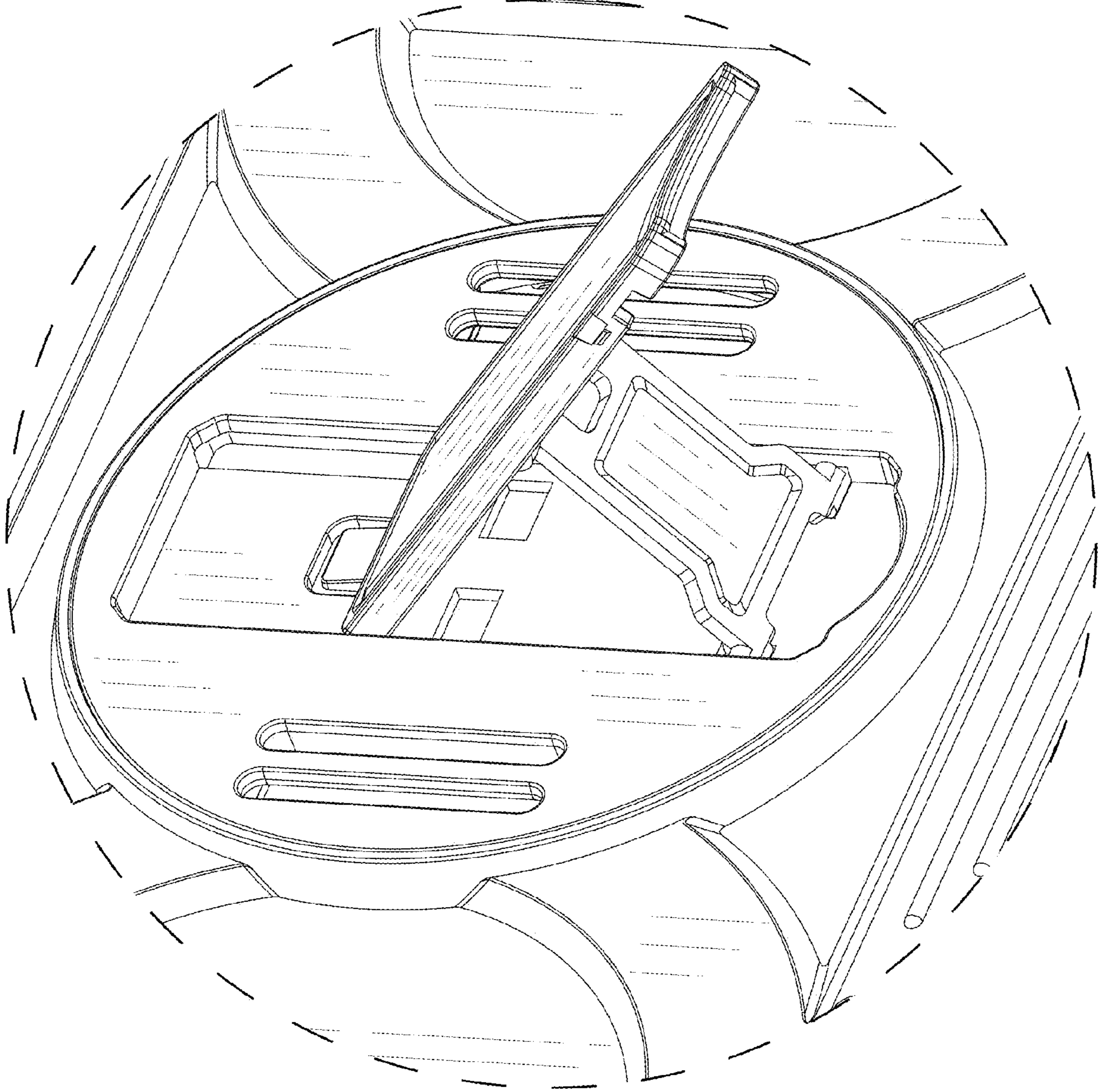


FIG.9

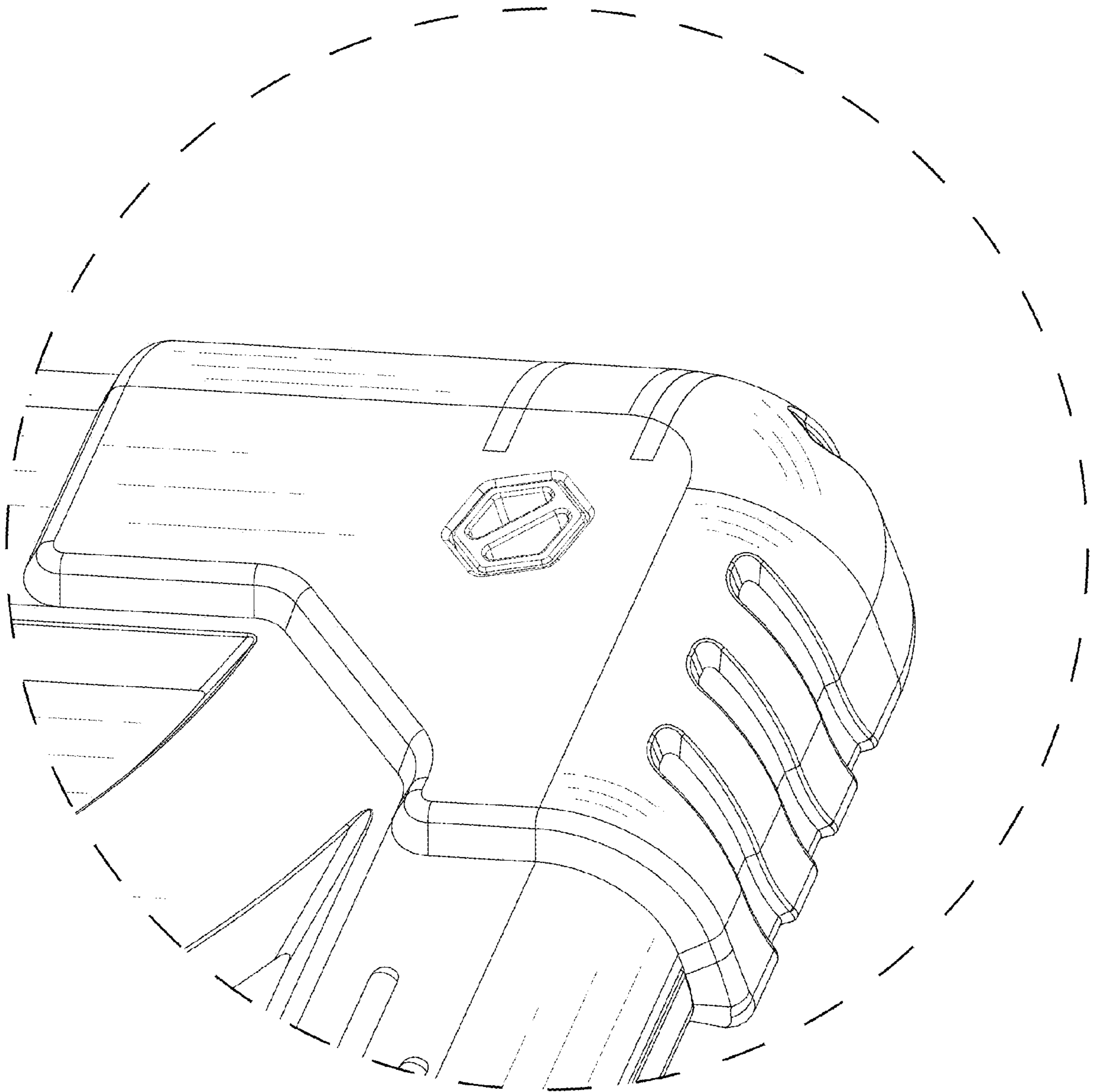


FIG.10

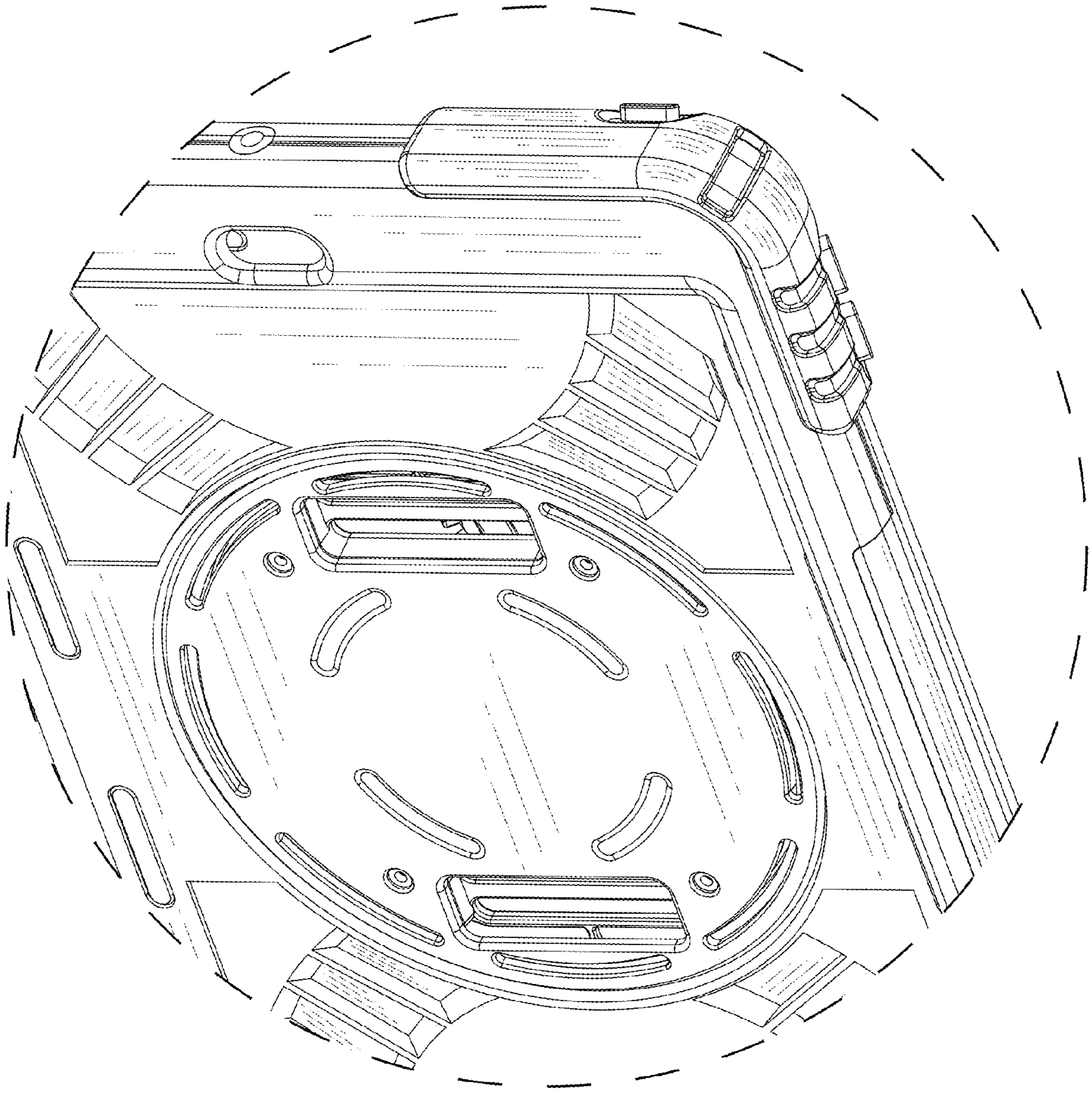


FIG.11