



US00D949148S

(12) **United States Design Patent**  
**Gao**

(10) **Patent No.:** **US D949,148 S**  
(45) **Date of Patent:** **\*\* Apr. 19, 2022**

(54) **WIRELESS VIDEO TRANSMITTER**

FOREIGN PATENT DOCUMENTS

(71) Applicant: **Shenzhen Lenkeng Technology Limited**, Shenzhen (CN)

CN 305523451 \* 12/2019  
CN 305603324 \* 2/2020

(72) Inventor: **Binghai Gao**, Shenzhen (CN)

OTHER PUBLICATIONS

(73) Assignee: **Shenzhen Lenkeng Technology Limited**, Shenzhen (CN)

10X1 Wireless HDMI Switch, Lenkeng, lenkeng.net, author unlisted, published Aug. 3, 2020 per wayback machine © 2004-2015 Lenkeng Technology Ltd, online, site visited Dec. 22, 2020. Available at URL: <https://www.lenkeng.net/Index/detail/id/1615> (Year: 2020).\*

(\*\*) Term: **15 Years**

(Continued)

(21) Appl. No.: **29/696,516**

*Primary Examiner* — Lakiya G Rogers

(22) Filed: **Jun. 28, 2019**

*Assistant Examiner* — Altaira J Swangin

(30) **Foreign Application Priority Data**

(74) *Attorney, Agent, or Firm* — ScienBiziP, P.C.

May 29, 2019 (CN) ..... 201930271257.4

(57) **CLAIM**

The ornamental design for a wireless video transmitter, as shown and described.

(51) **LOC (13) Cl.** ..... **14-02**

**DESCRIPTION**

(52) **U.S. Cl.**  
USPC ..... **D14/350**

(58) **Field of Classification Search**  
USPC ..... D14/140.1–140.2, 140.8, 240, 242,  
D14/348–349, 350–359, 433–435;  
D13/139.4, 146, 162–163, 179, 184;  
D23/364–365; D21/324, 332–333  
CPC ..... H04W 88/00; H04W 88/005; H05K 5/00;  
H05K 5/03; H04L 12/00; H03K 17/00  
See application file for complete search history.

FIG. 1 is a front perspective view of a wireless video transmitter, showing my design.  
FIG. 2 is a rear perspective view thereof.  
FIG. 3 is a bottom perspective view thereof.  
FIG. 4 is a front elevation view thereof.  
FIG. 5 is a rear elevation view thereof.  
FIG. 6 is a left side elevation view thereof.  
FIG. 7 is a right side elevation view thereof.  
FIG. 8 is a top plan view thereof.  
FIG. 9 is a bottom plan view thereof.  
FIG. 10 is a partial enlarged view of the wireless video transmitter with a label number “10” in the FIG. 1; and,  
FIG. 11 is a partial enlarged view of the wireless video transmitter with a label number “11” in the FIG. 4.

(56) **References Cited**

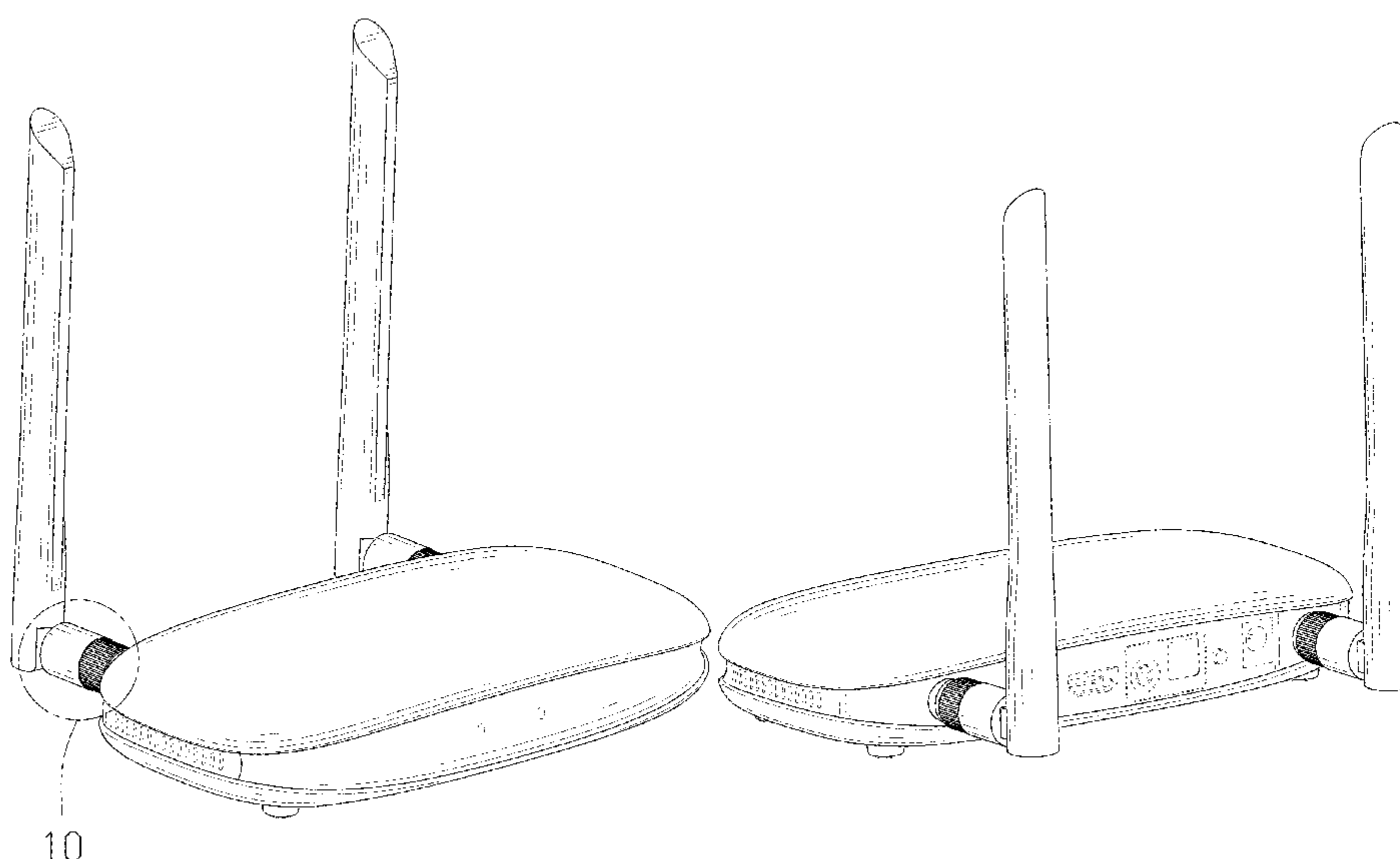
U.S. PATENT DOCUMENTS

D409,199 S \* 5/1999 Taguchi ..... D14/217  
D494,134 S \* 8/2004 Murzanski ..... D13/110  
6,776,345 B1 \* 8/2004 Liang ..... G06F 1/181  
235/441  
D600,232 S \* 9/2009 Lee ..... D14/137  
D605,643 S \* 12/2009 Landry ..... D14/240

The even dash broken lines illustrate portions of the wireless video transmitter that form no part of the claimed design. The dash-dot lines showing enlarged detail views in FIGS. 1, 4, 10, and 11 are for annotative purposes only and form no part thereof.

(Continued)

**1 Claim, 11 Drawing Sheets**



(56)

**References Cited**

## U.S. PATENT DOCUMENTS

D622,711	S	*	8/2010	Landry	.....	D14/240
D638,425	S	*	5/2011	Ikeda	.....	D14/358
D638,426	S	*	5/2011	Ikeda	.....	D14/358
D640,692	S	*	6/2011	Waisman-Diamond	.....	D14/358
D644,221	S	*	8/2011	Kemery	.....	D14/358
D662,920	S	*	7/2012	Neu	.....	D14/240
D687,817	S	*	8/2013	Petersen	.....	D14/240
D694,205	S	*	11/2013	Lim	.....	D14/125
D719,939	S	*	12/2014	Liang	.....	D14/240
D733,707	S	*	7/2015	Chen	.....	D14/358
D733,708	S	*	7/2015	Chen	.....	D14/358
D752,531	S	*	3/2016	Xu	.....	D14/125
D752,562	S	*	3/2016	You	.....	D14/240
D784,939	S	*	4/2017	Luo	.....	D14/125
D821,375	S	*	6/2018	Ramones	.....	D14/242
D832,253	S	*	10/2018	Delibie	.....	D14/358
D843,336	S	*	3/2019	Wu	.....	D14/125
D881,837	S	*	4/2020	Xu	.....	D14/198
D898,004	S	*	10/2020	Sun	.....	D14/242
D908,116	S	*	1/2021	Ye	.....	D14/240
D910,001	S	*	2/2021	Chang	.....	D14/240
D912,031	S	*	3/2021	He	.....	D14/242

## OTHER PUBLICATIONS

SoundSync Bluetooth 2-in-1 Transmitter and Receiver, Anker, amazon.co.uk, published by Anker, available on Mar. 27, 2018 © 1996-2020 Amazon.com, Inc., online, site visited Dec. 23, 2020. Available at URL: <https://www.amazon.co.uk/Anker-Transmitter-Low-Latency-Technology-Connection/dp/B07BR3FFTB> (Year: 2018).\*

\* cited by examiner

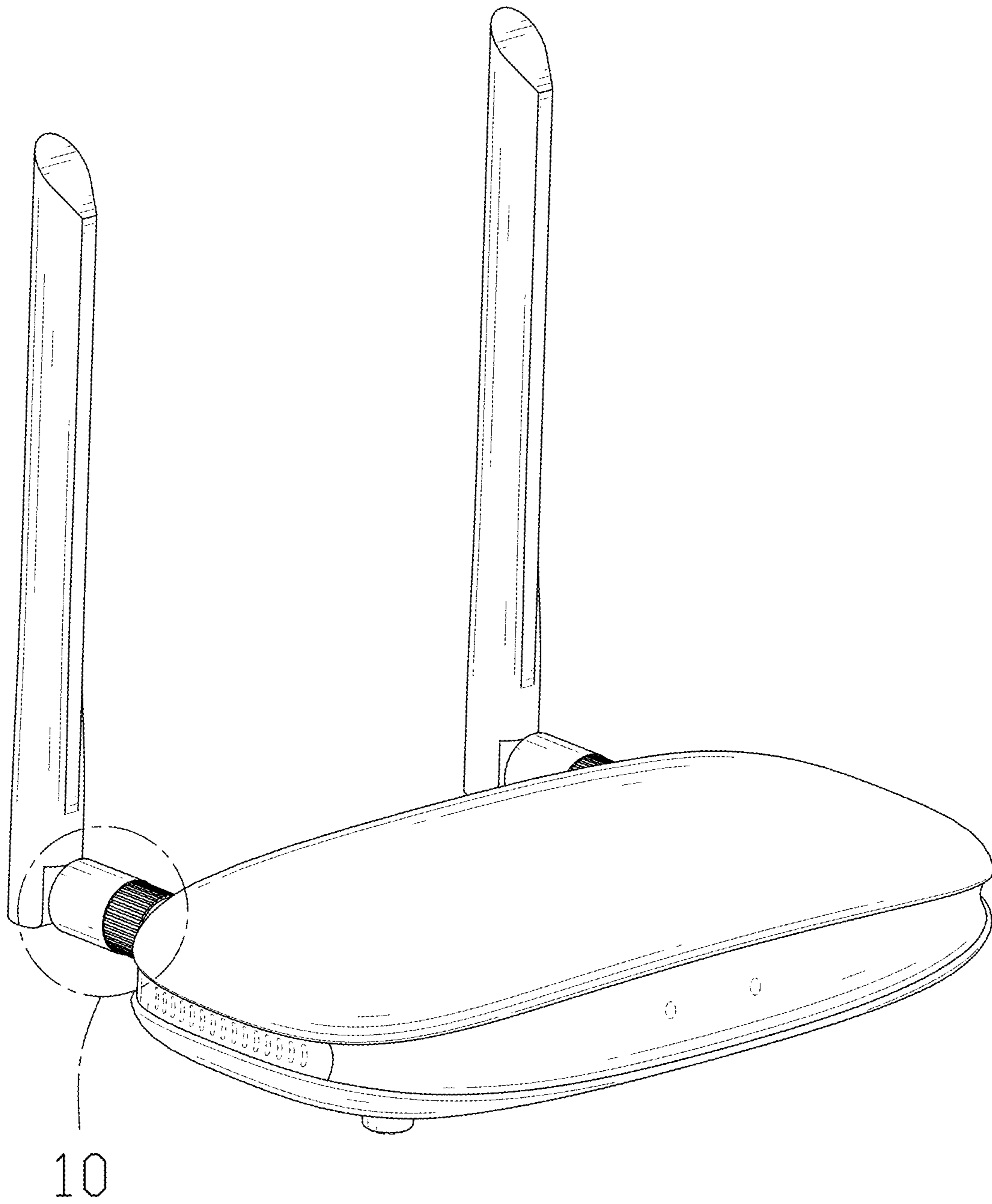


FIG. 1

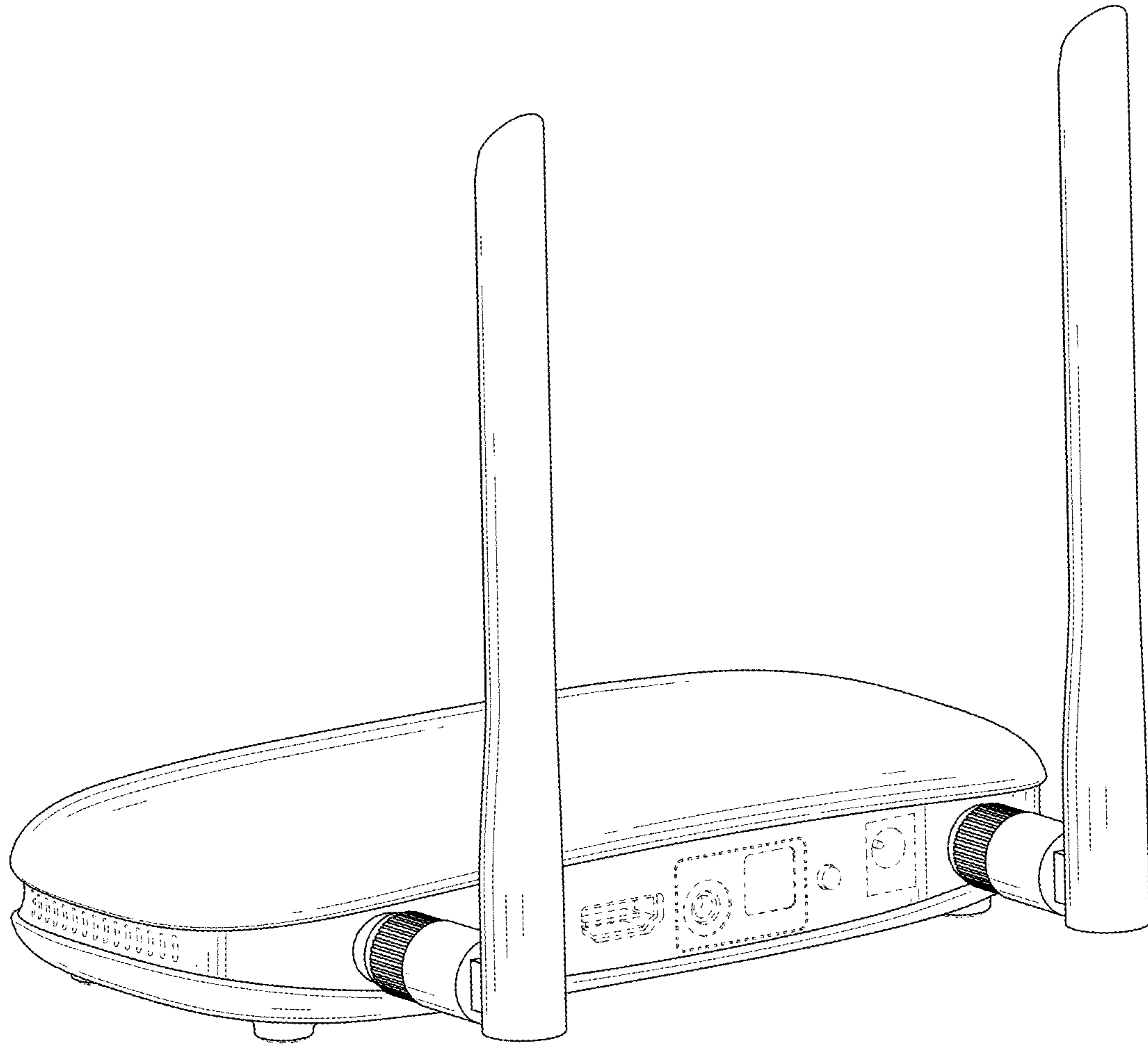


FIG. 2

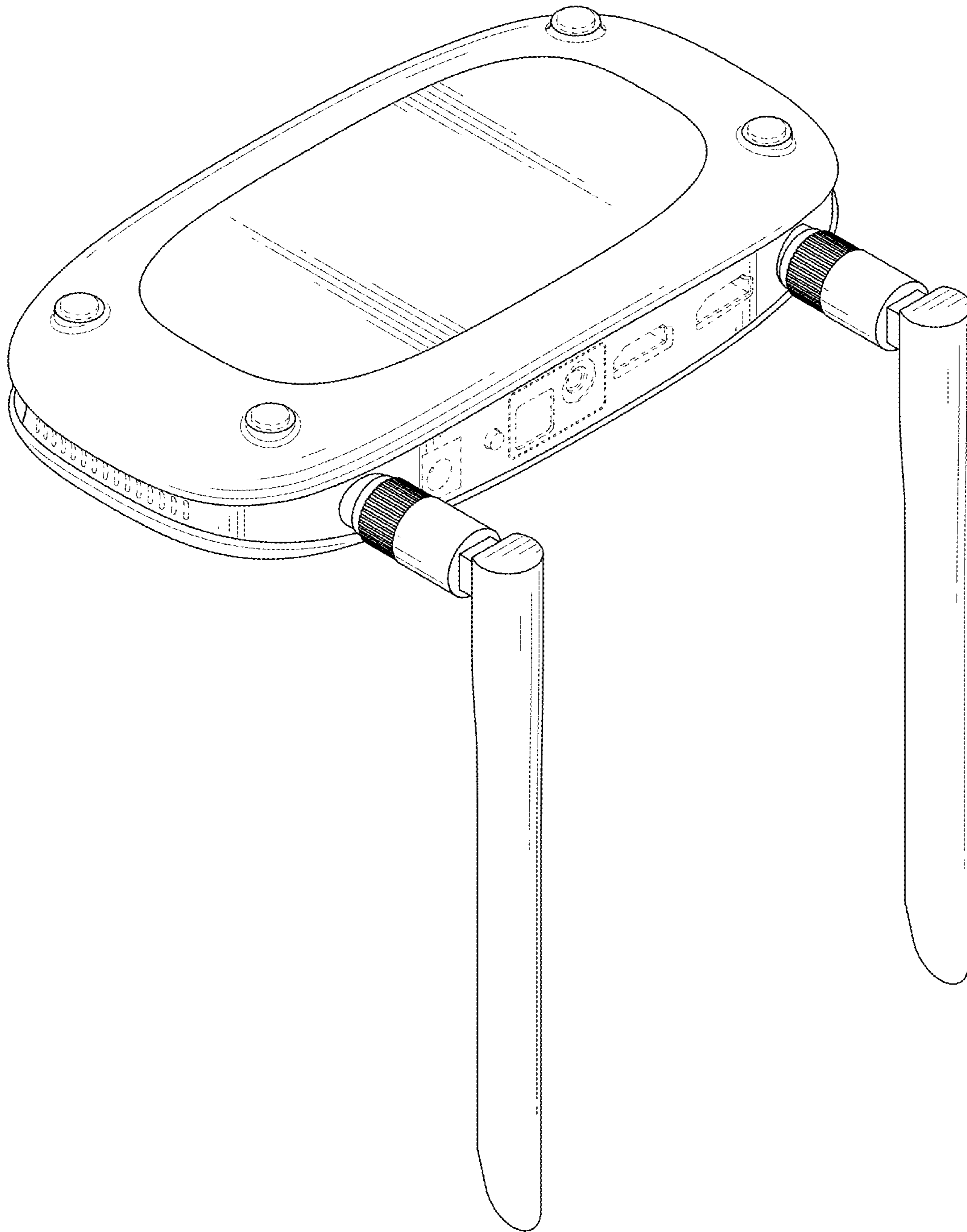


FIG. 3

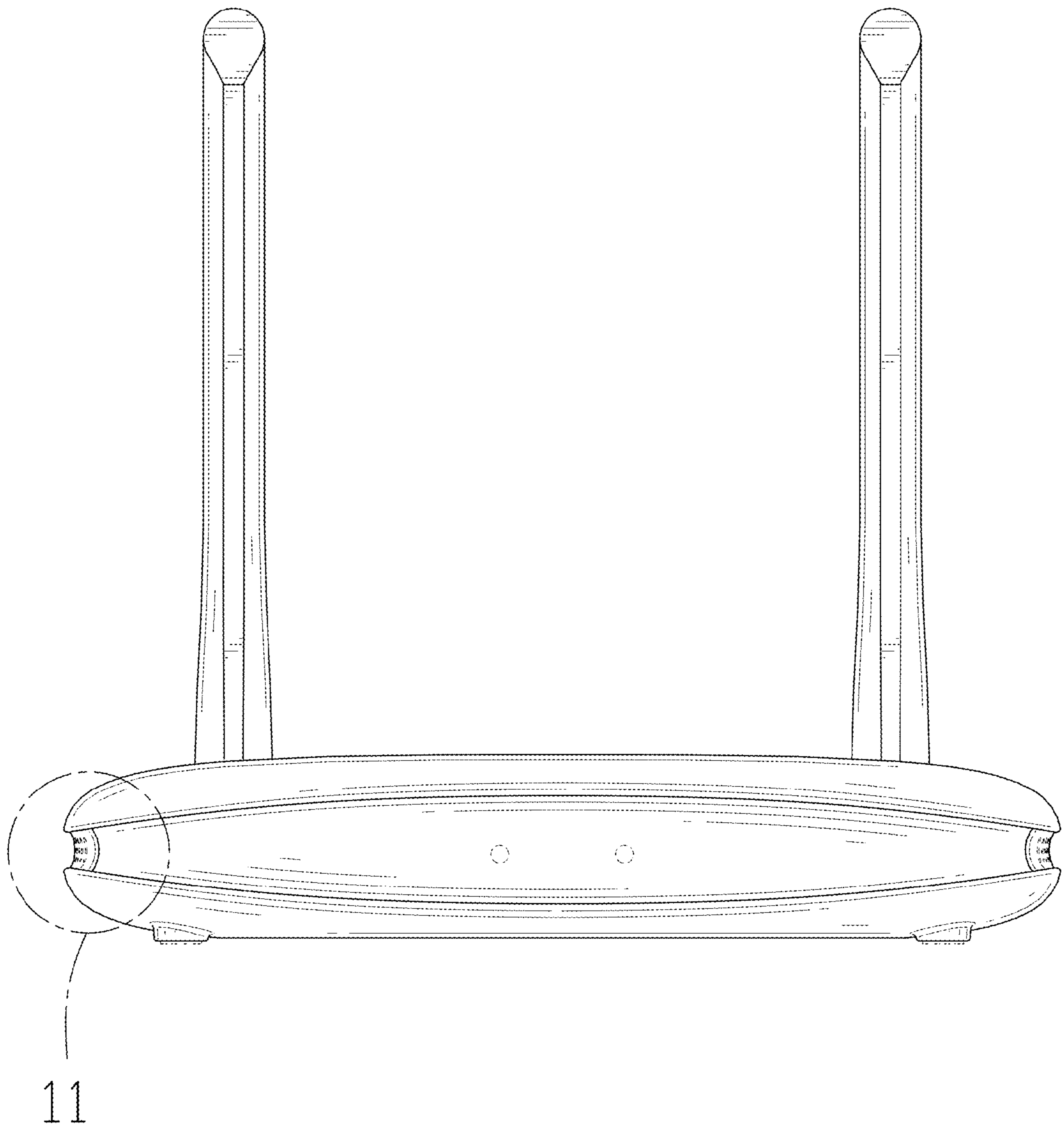


FIG. 4

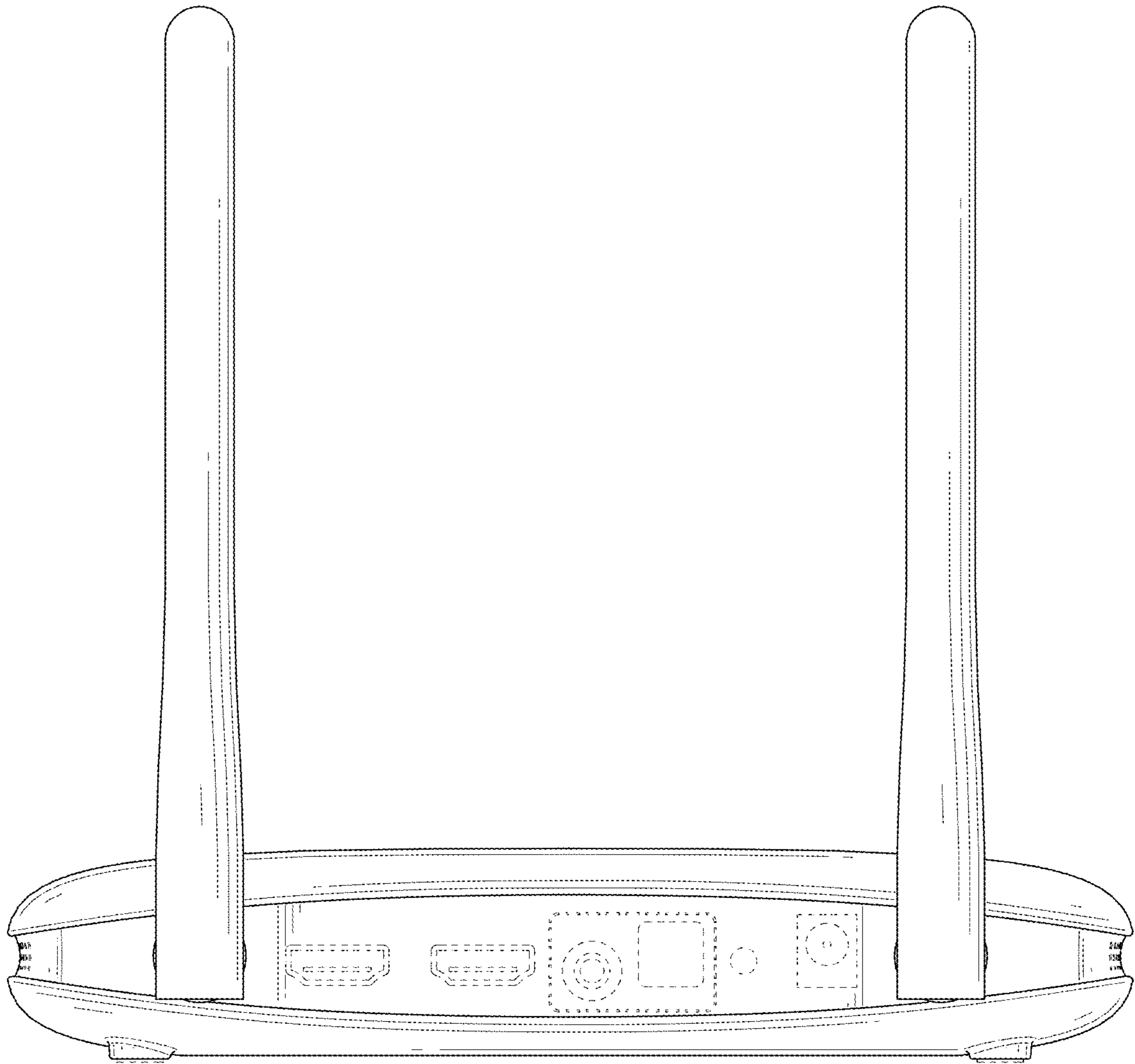


FIG. 5



FIG. 6





FIG. 7

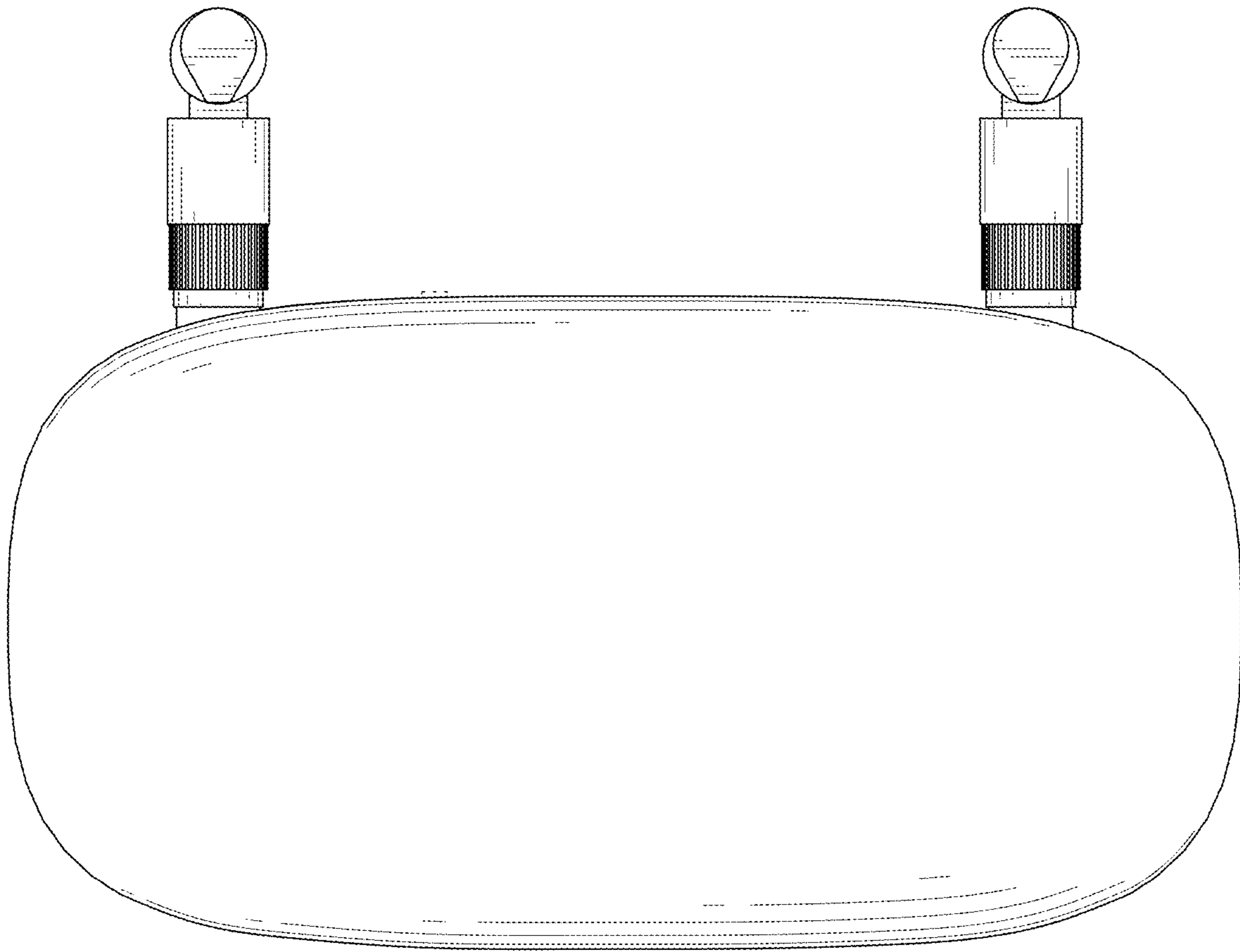


FIG. 8

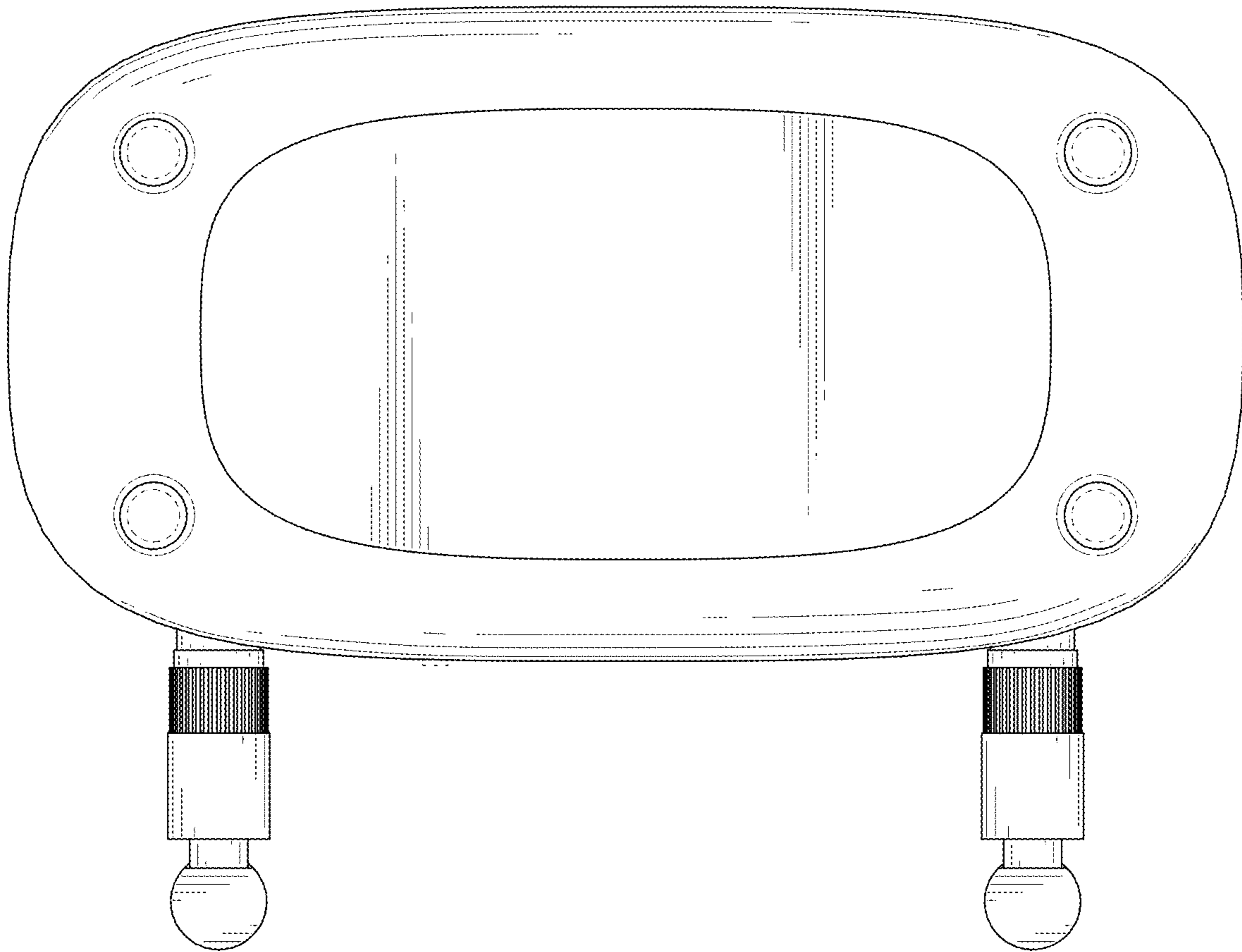


FIG. 9

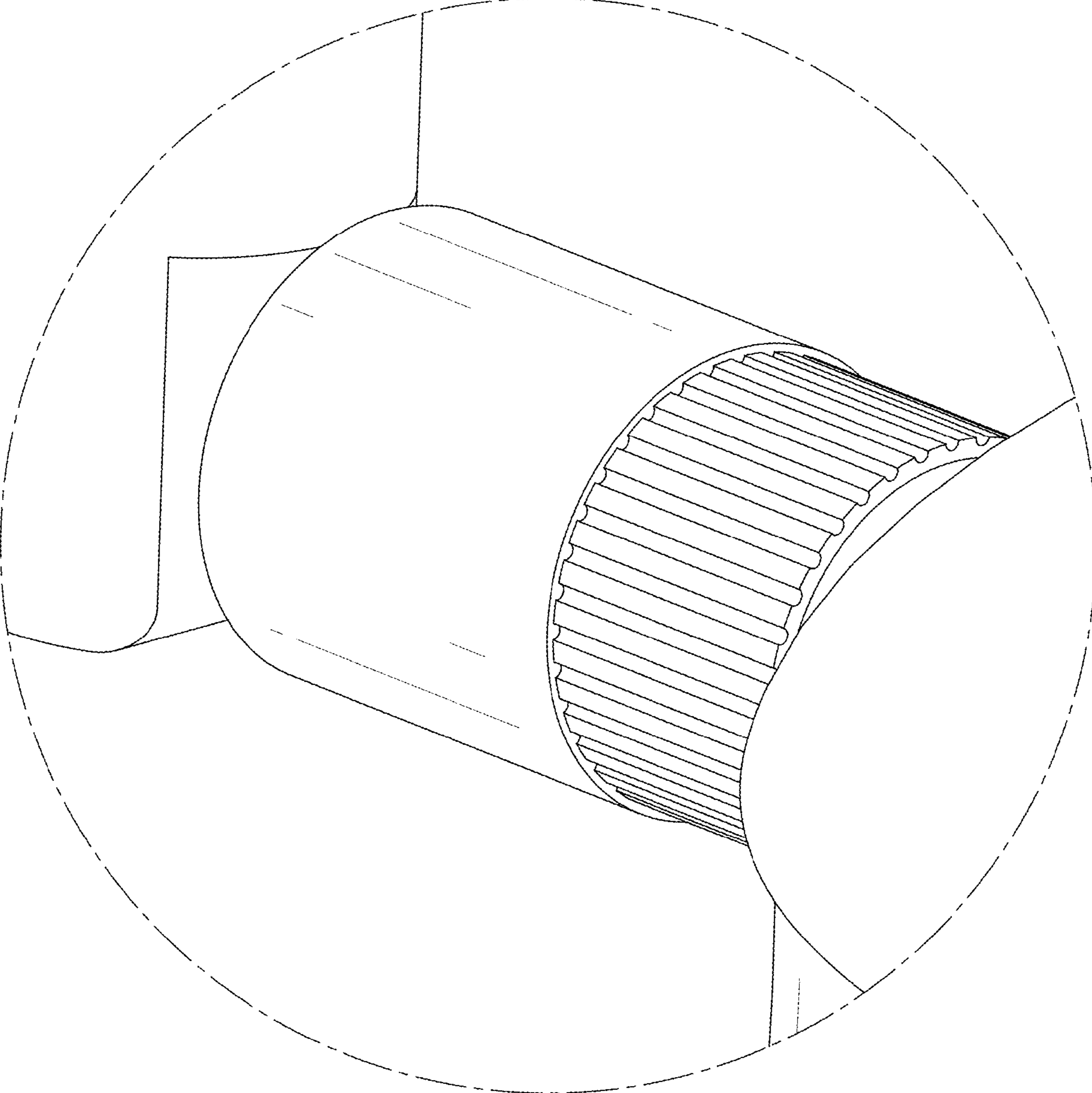


FIG. 10

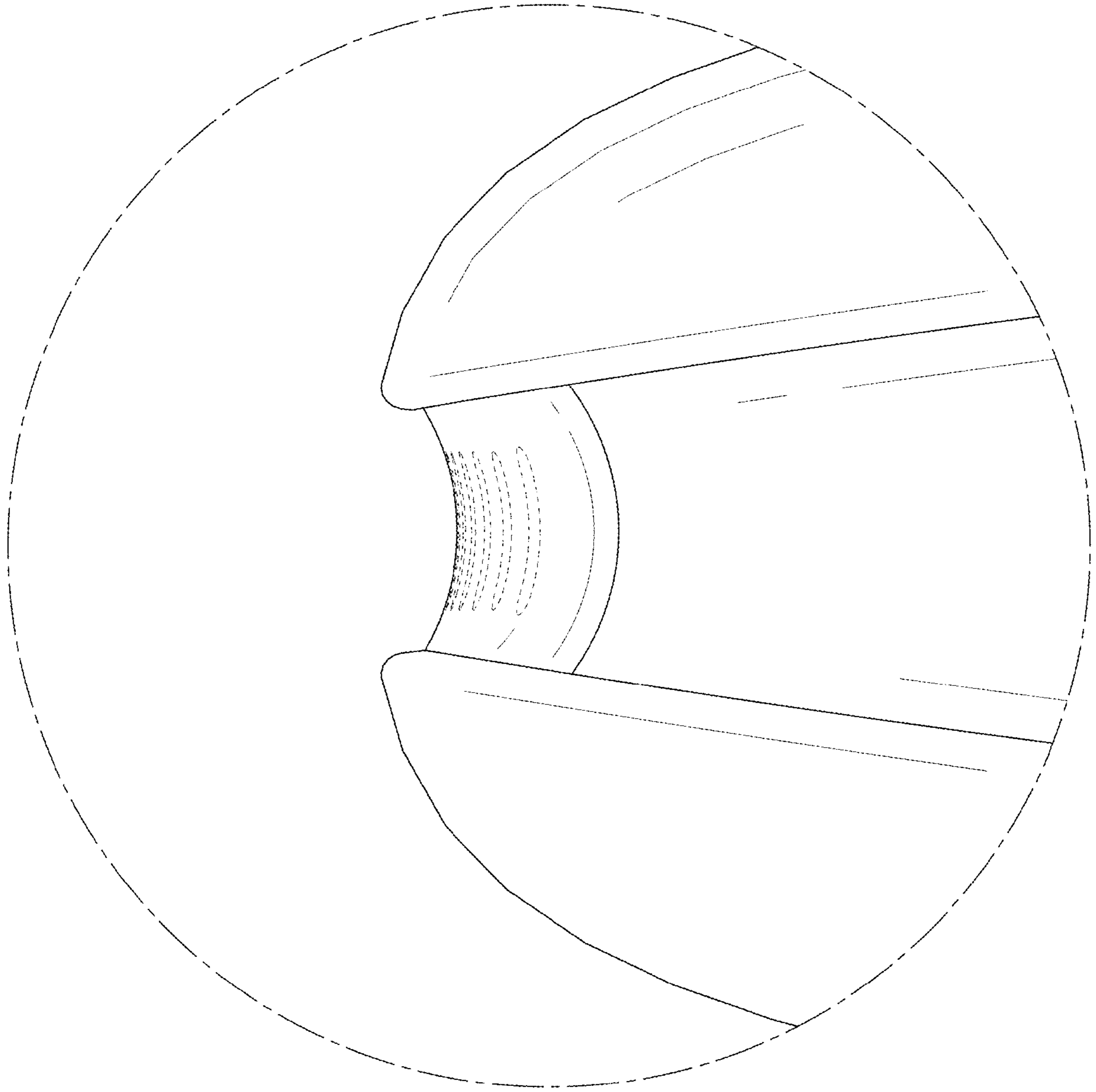


FIG. 11