

US00D949147S

(12) **United States Design Patent** (10) **Patent No.:** **US D949,147 S**
Lee (45) **Date of Patent:** **** Apr. 19, 2022**

(54) **DISPLAY DEVICE**

(71) Applicant: **Samsung Display Co., Ltd.**, Yongin-si (KR)

(72) Inventor: **Sang Wol Lee**, Yongin-si (KR)

(73) Assignee: **Samsung Display Co., Ltd.**, Yongin-si (KR)

(**) Term: **15 Years**

(21) Appl. No.: **29/654,528**

(22) Filed: **Jun. 25, 2018**

(30) **Foreign Application Priority Data**

Dec. 27, 2017 (KR) 30-2017-0061758

(51) **LOC (13) Cl.** **14-02**

(52) **U.S. Cl.**
USPC **D14/345**

(58) **Field of Classification Search**

USPC D14/138 AA, 138 AB, 138 AC, 138 AD,
D14/138 C, 138 G, 218, 248, 315-318,
(Continued)

(56) **References Cited**

U.S. PATENT DOCUMENTS

9,348,370 B2 * 5/2016 Song G06F 1/1681
D770,448 S * 11/2016 Endo D14/371
(Continued)

FOREIGN PATENT DOCUMENTS

CN 303949061 * 11/2016
CN 305790886 * 5/2020
(Continued)

OTHER PUBLICATIONS

Foldable Phones Are Here. Do We Really Want Them?, Feb. 11, 2020, [retrieved Aug. 26, 2021], Retrieved from Internet, URL:

<<https://www.nytimes.com/2020/02/11/technology/personaltech/foldable-phones-samsung.html>> (Year: 2020).*

(Continued)

Primary Examiner — Barbara Fox

Assistant Examiner — Aram Kwon

(74) *Attorney, Agent, or Firm* — Lewis Roca Rothgerber Christie LLP

(57) **CLAIM**

The ornamental design for a display device, as shown and described.

DESCRIPTION

FIG. 1 is a perspective view of the screen, outer frame, and casing of a display device according to the present design in a folded state;

FIG. 2 is a front view thereof;

FIG. 3 is a rear view thereof;

FIG. 4 is a left side view thereof;

FIG. 5 is a right side view thereof;

FIG. 6 is a top view thereof, with the bottom view being a mirror image thereof;

FIG. 7 is a perspective view of the screen, outer frame, and casing of the display device shown in an unfolded state;

FIG. 8 is a front view thereof;

FIG. 9 is a rear view thereof;

FIG. 10 is a left side view thereof;

FIG. 11 is a right side view thereof;

FIG. 12 is a top view thereof, with the bottom view being a mirror image thereof;

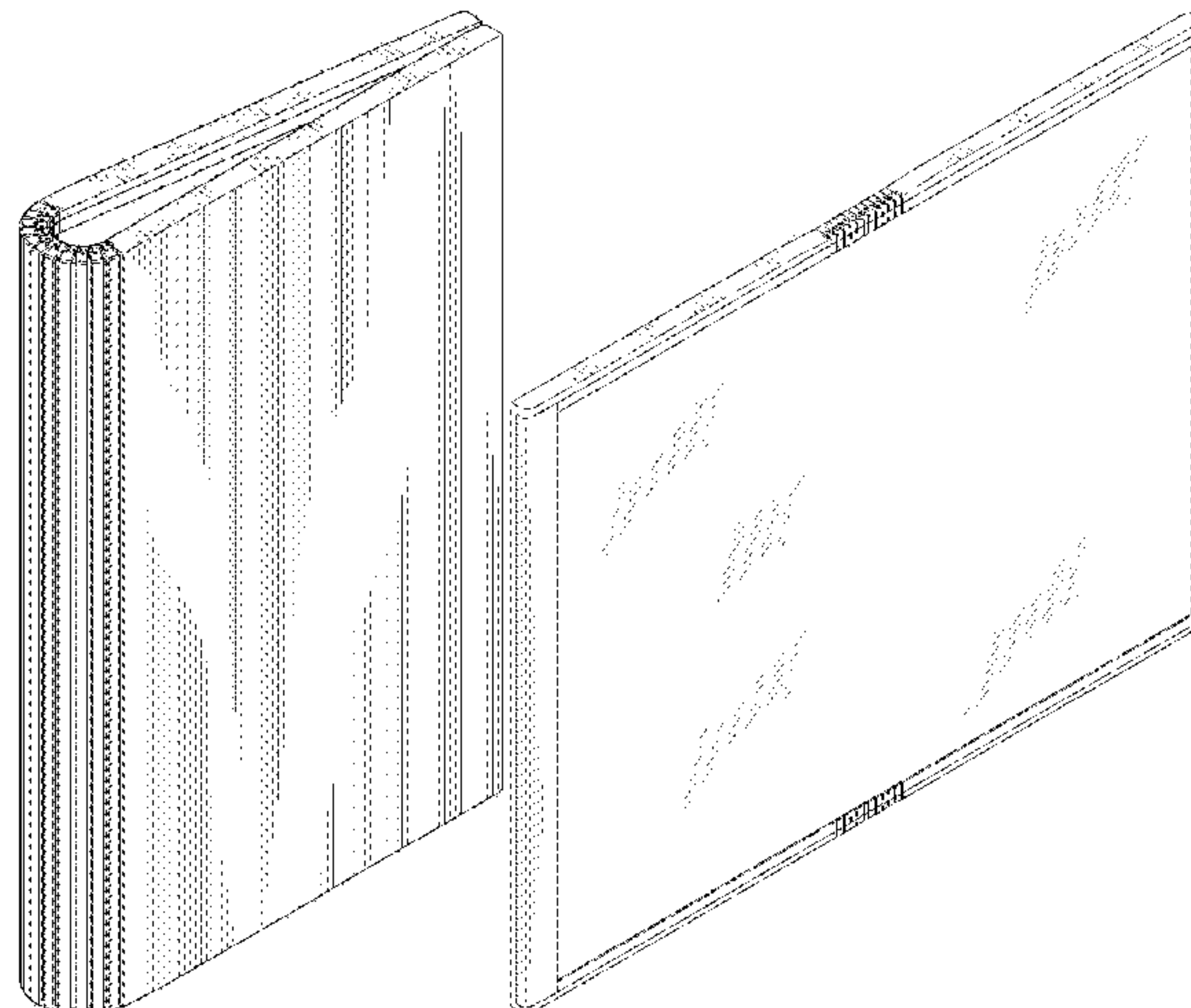
FIG. 13 is a front view of the screen, outer frame, and casing of the display device shown in an environment of use;

FIG. 14 is a perspective view of the casing of the display device shown separately to show aspects of the design that are not visible when combined;

FIG. 15 is an exploded perspective view of the casing of the display device shown separately to show aspects of the design not visible when combined; and,

FIG. 16 is an enlarged cross-sectional view of the display device taken in the direction of line 16-16 in FIG. 14.

(Continued)



The broken line showing of the icons in FIG. 13 depicts environment and forms no part of the claimed design.

1 Claim, 14 Drawing Sheets

(58) Field of Classification Search

USPC D14/341–347, 371, 374, 432, 439;
D6/308, 310; D10/30, 50, 65, 104.1;
D18/6–7; D19/26, 59–60; D21/324,
D21/329–330, 332
CPC ... H04M 1/0202; H04M 1/0266; H04M 1/725
See application file for complete search history.

(56) References Cited

U.S. PATENT DOCUMENTS

9,625,953 B2 * 4/2017 Bitz G06F 1/1681
D791,753 S * 7/2017 Bae D14/248
D795,861 S * 8/2017 Seo D14/341
9,786,207 B2 * 10/2017 Kim G06F 1/1652
9,818,961 B2 * 11/2017 Hiroki H01L 51/525
D811,393 S * 2/2018 Ahn D14/371
D814,435 S * 4/2018 Kwon D14/138 AB
D814,455 S * 4/2018 Kwon D14/341
10,143,098 B1 * 11/2018 Lee H04M 1/022
D846,545 S * 4/2019 Okuley D14/345
10,297,785 B2 * 5/2019 Ahn H04M 1/0214
10,310,565 B2 * 6/2019 Aoki G06F 1/1618
10,347,852 B2 * 7/2019 Myeong H01L 51/0097
D859,349 S * 9/2019 Yeom D14/138 AB
10,516,119 B2 * 12/2019 Lee H01L 51/5256
D875,091 S * 2/2020 Kwon D14/341
D884,664 S * 5/2020 Kwon D14/138 AB
D884,743 S * 5/2020 Liu D14/496
10,678,305 B1 * 6/2020 Lee G06F 1/1652
D901,422 S * 11/2020 Lee
D901,495 S * 11/2020 Lee D14/345
10,928,863 B2 * 2/2021 Pelissier G06F 1/1637
D920,973 S * 6/2021 Lee D14/345
11,048,305 B1 * 6/2021 Ye H04M 1/0249
11,169,580 B2 * 11/2021 Lee G06F 1/1681
2002/0067339 A1 * 6/2002 Min G06F 1/1601
345/156
2006/0105824 A1 * 5/2006 Kim H04M 1/0235
455/575.8
2010/0232100 A1 * 9/2010 Fukuma H04M 1/0216
361/679.01
2012/0307423 A1 * 12/2012 Bohn G06F 1/1652
361/679.01
2013/0216740 A1 * 8/2013 Russell-Clarke B65D 85/00
428/33

2015/0077917 A1 * 3/2015 Song G06F 1/1652
361/679.27
2015/0131222 A1 * 5/2015 Kauhaniemi G06F 1/1681
361/679.27
2015/0176317 A1 * 6/2015 Lee E05D 3/06
16/251
2016/0011628 A1 * 1/2016 Sato G06F 1/1626
361/679.3
2016/0139634 A1 * 5/2016 Cho G06F 1/1652
361/679.27
2016/0195901 A1 * 7/2016 Kauhaniemi G06F 1/1681
361/679.27
2016/0209877 A1 * 7/2016 Chong H01L 27/1255
2016/0349802 A1 * 12/2016 Ahn G06F 1/1681
2017/0061836 A1 * 3/2017 Kim G06F 1/1626
2017/0235343 A1 * 8/2017 Cho G06F 1/1681
361/679.27
2018/0070460 A1 * 3/2018 Han G06F 1/1626
2018/0109871 A1 * 4/2018 Huh H04M 1/0202
2018/0329460 A1 * 11/2018 Song G06F 1/1681
2020/0387195 A1 * 12/2020 Kim G06F 1/1618
2021/0116971 A1 * 4/2021 Feng G06F 1/1681

FOREIGN PATENT DOCUMENTS

KR 301007977.0000 * 5/2019
KR 301029017.0000 * 10/2019

OTHER PUBLICATIONS

LG also wants to make phones that can fold into tablets, Jan. 19, 2018, [retrieved Aug. 26, 2021], Retrieved from Internet, URL: <<https://bgr.com/tech/lg-foldable-phone-concept/>> (Year: 2018).*
LG foldable phone patent has some interesting twists, Jul. 5, 2018, [retrieved Aug. 26, 2021], Retrieved from Internet, URL: <<https://www.slashgear.com/lg-foldable-phone-patent-has-some-interesting-twists-05536542/>> (Year: 2018).*
Royole could be the first company to release a foldable smartphone, Oct. 31, 2018, [retrieved Aug. 26, 2021], Retrieved from Internet, URL: <<https://www.theverge.com/circuitbreaker/2018/10/31/18048252/rouyu-flexipai-foldable-smartphone-folding-screen-china>> (Year: 2018).*
Samsung Display is showing off new foldable tech, May 17, 2021], [retrieved Aug. 26, 2021], Retrieved from Internet, URL: <<https://www.theverge.com/2021/5/17/22440623/samsung-display-foldable-screen>> (Year: 2021).*
Samsung gaming smartphone with foldable display, Jan. 31, 2019, [retrieved Aug. 26, 2021], Retrieved from Internet, URL: <<https://en.letsgodigital.org/smartphones/samsung-foldable-gaming-smartphone/>> (Year: 2019).*
Samsung's foldable Galaxy F rendered in 3D, Nov. 14, 2018, [retrieved Aug. 26, 2021], Retrieved from Internet, URL: <https://www.gsmarena.com/samsungs_foldable_galaxy_f_rendered_in_3d-news-34225.php> (Year: 2018).*

* cited by examiner

FIG. 1

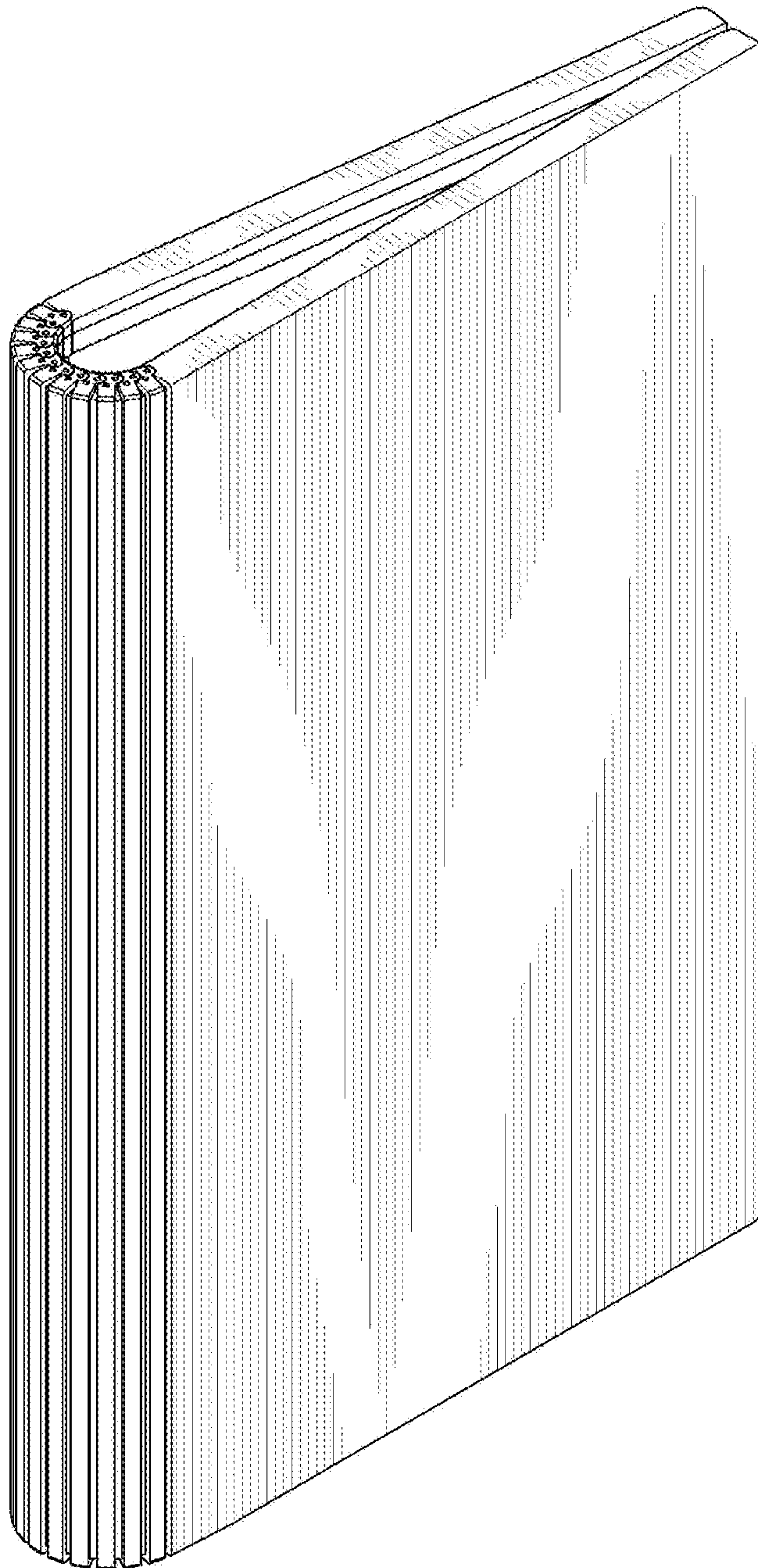


FIG. 2

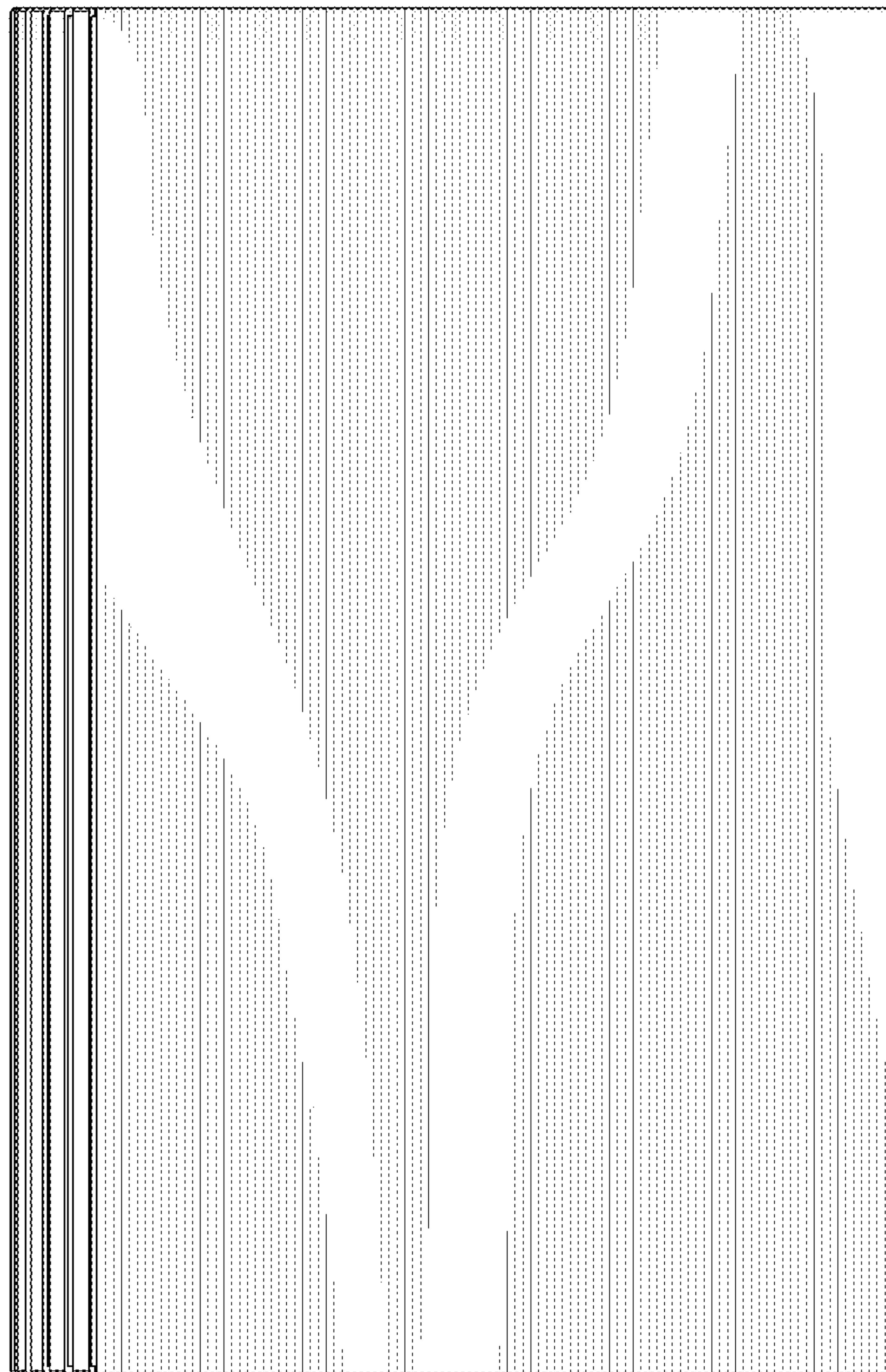


FIG. 3

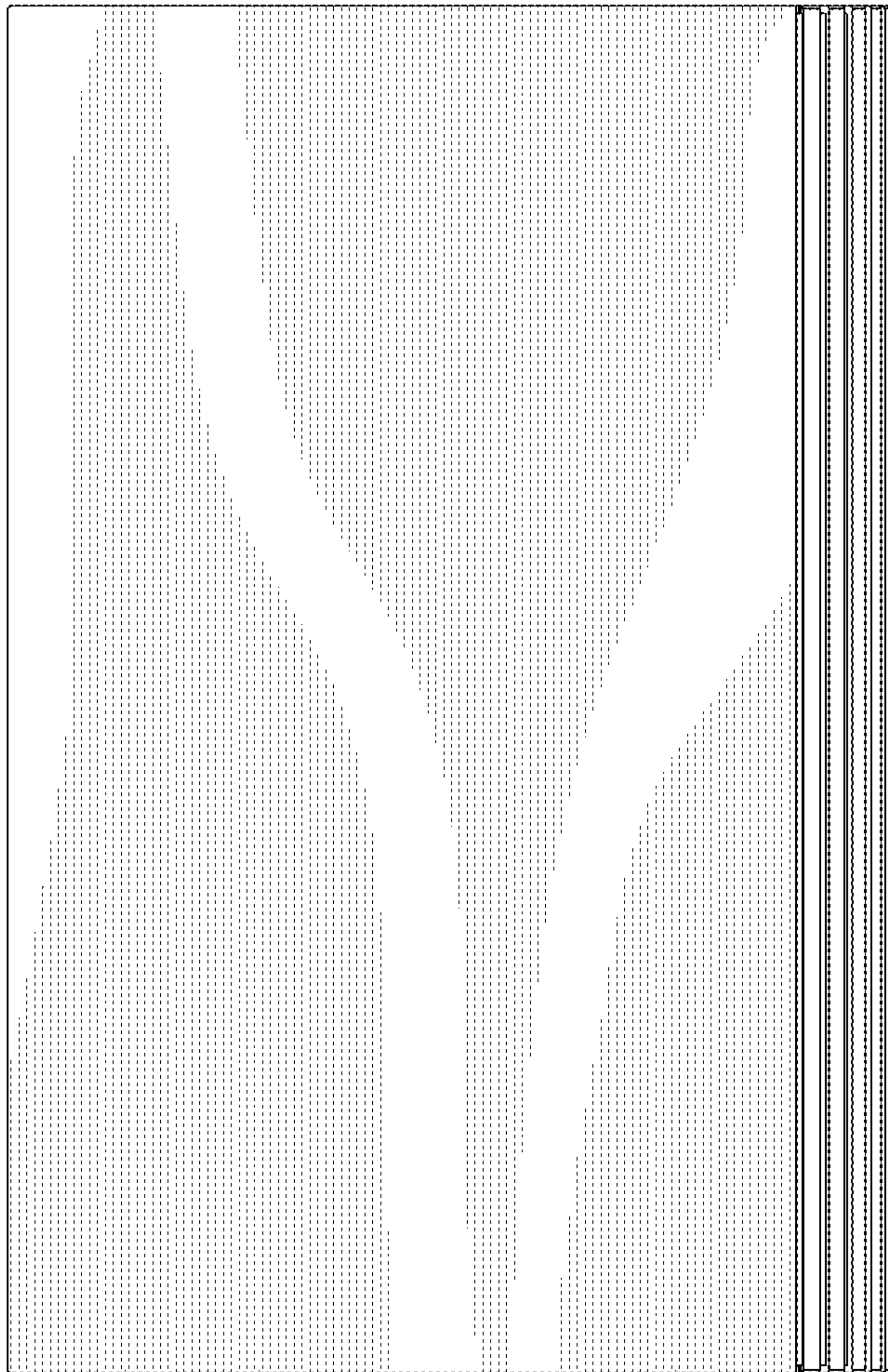


FIG. 4

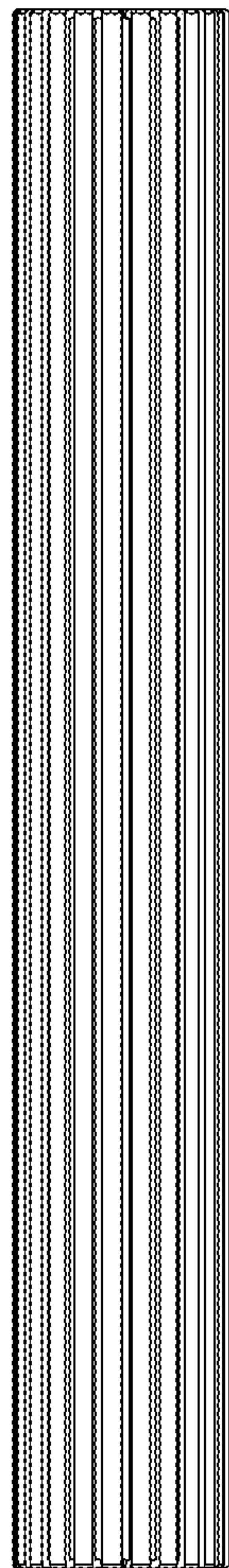


FIG. 5

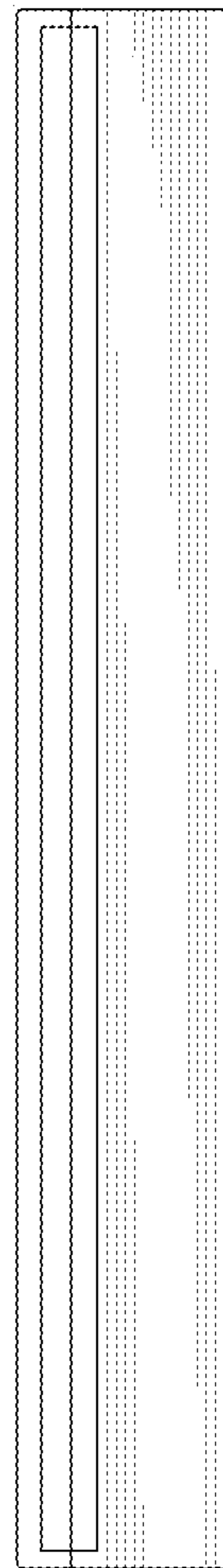


FIG. 6

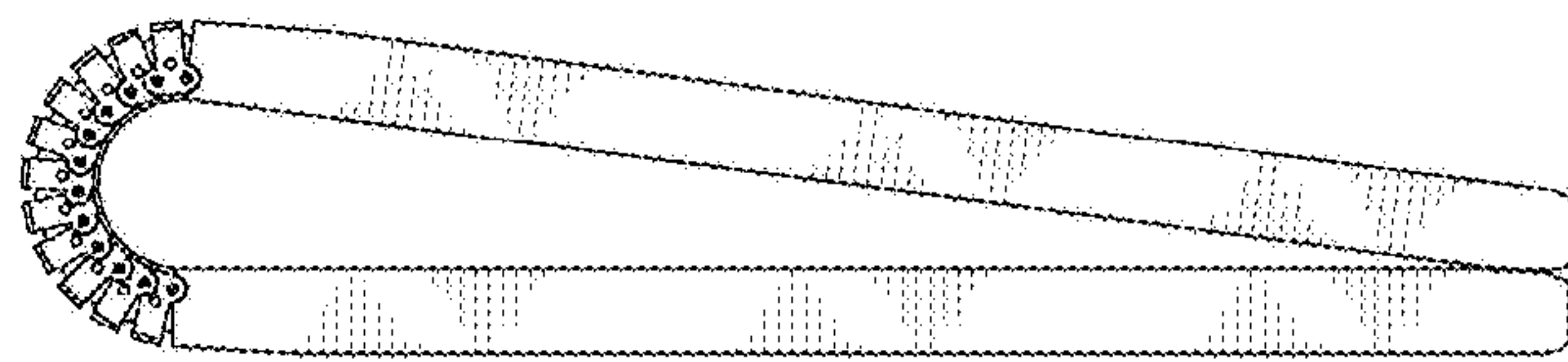


FIG. 7

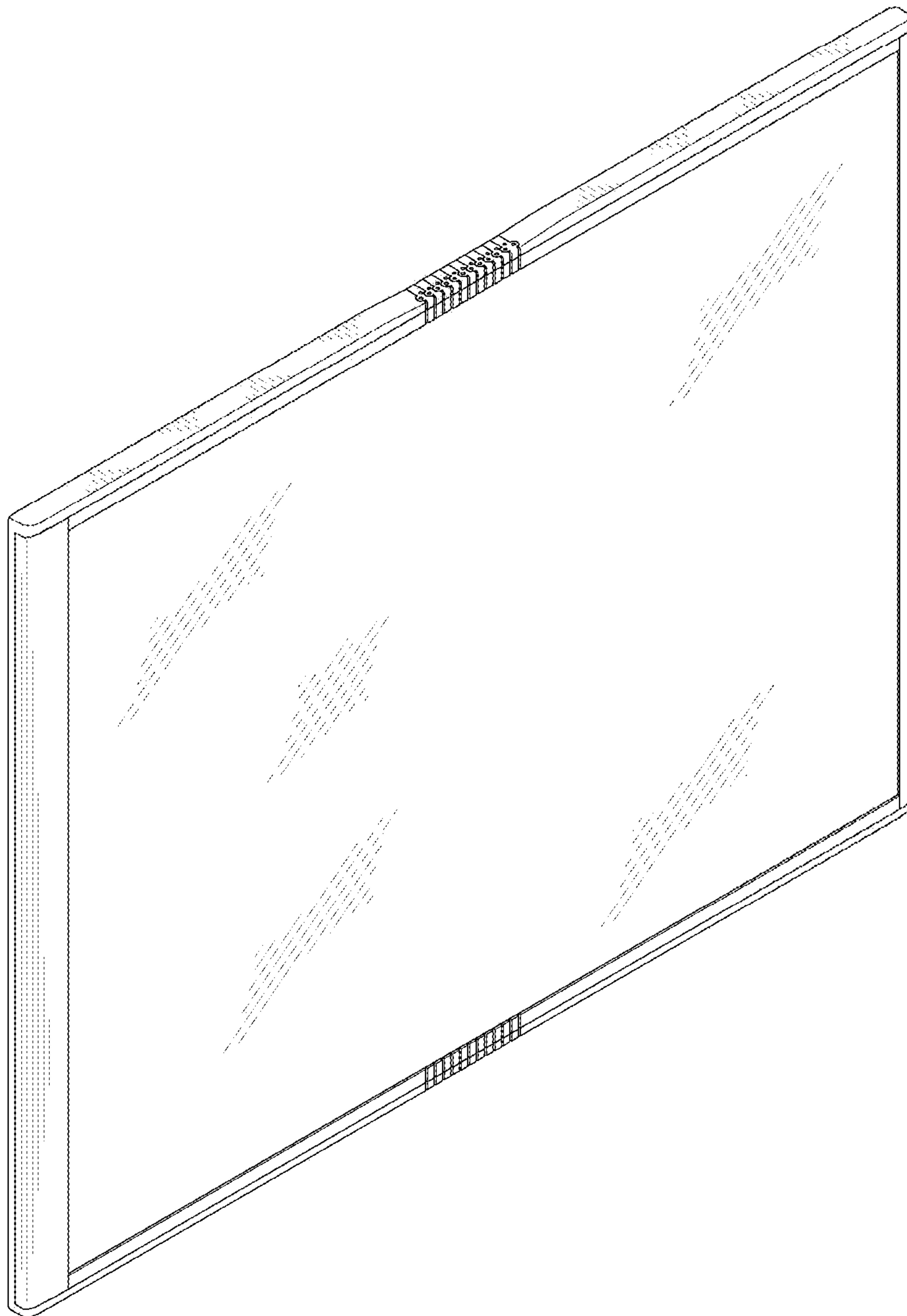


FIG. 8

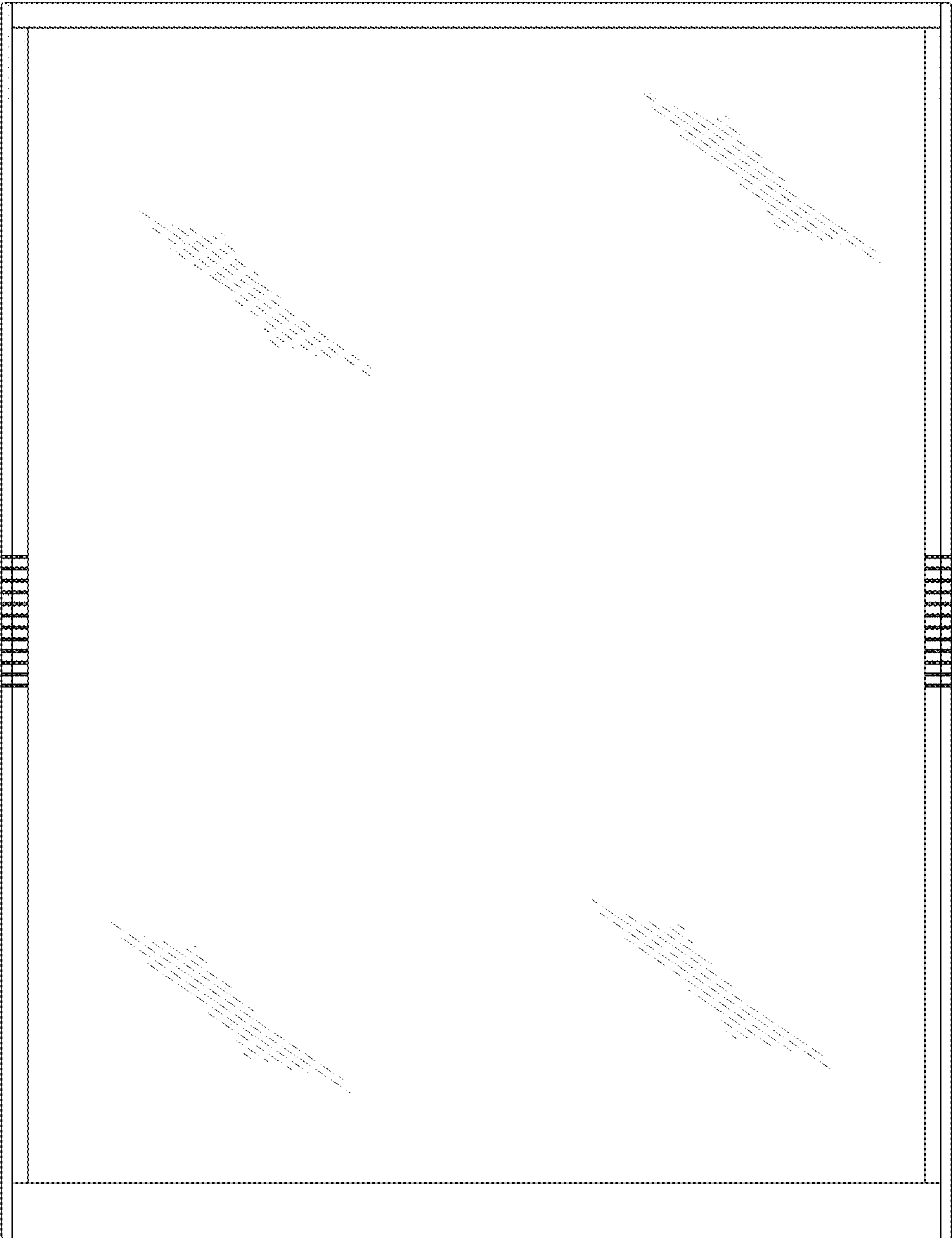


FIG. 9



FIG. 11

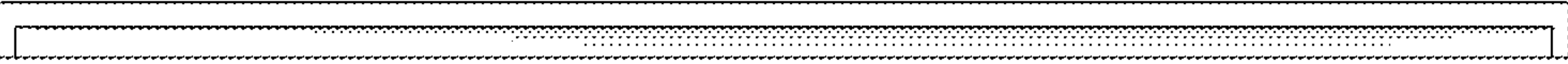


FIG. 10

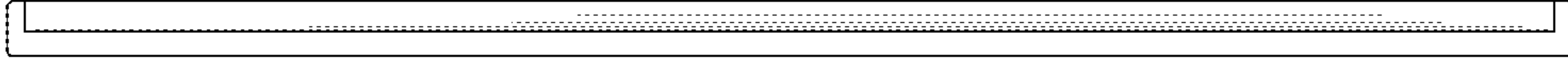


FIG. 12

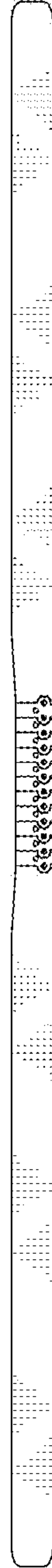


FIG. 13

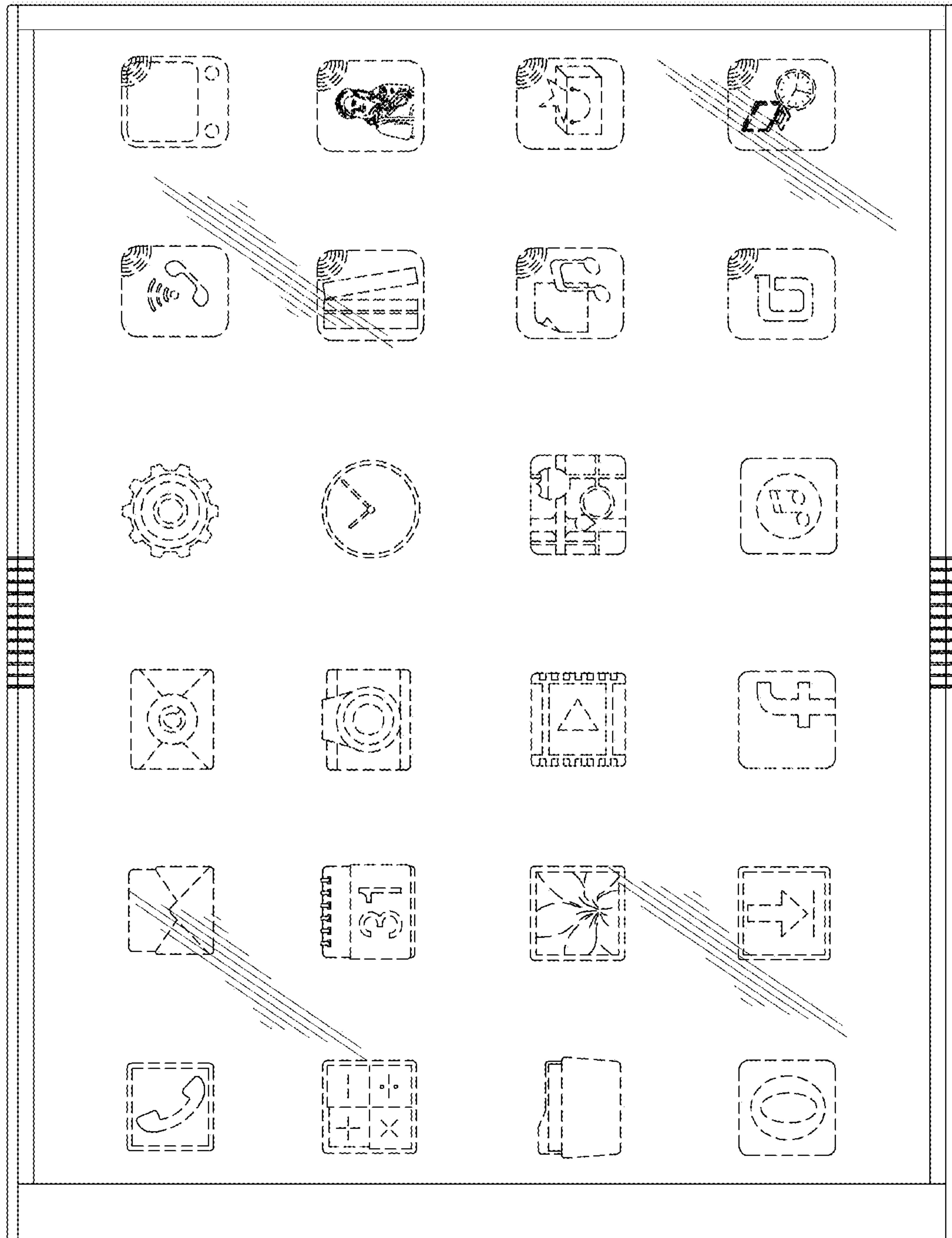


FIG. 14

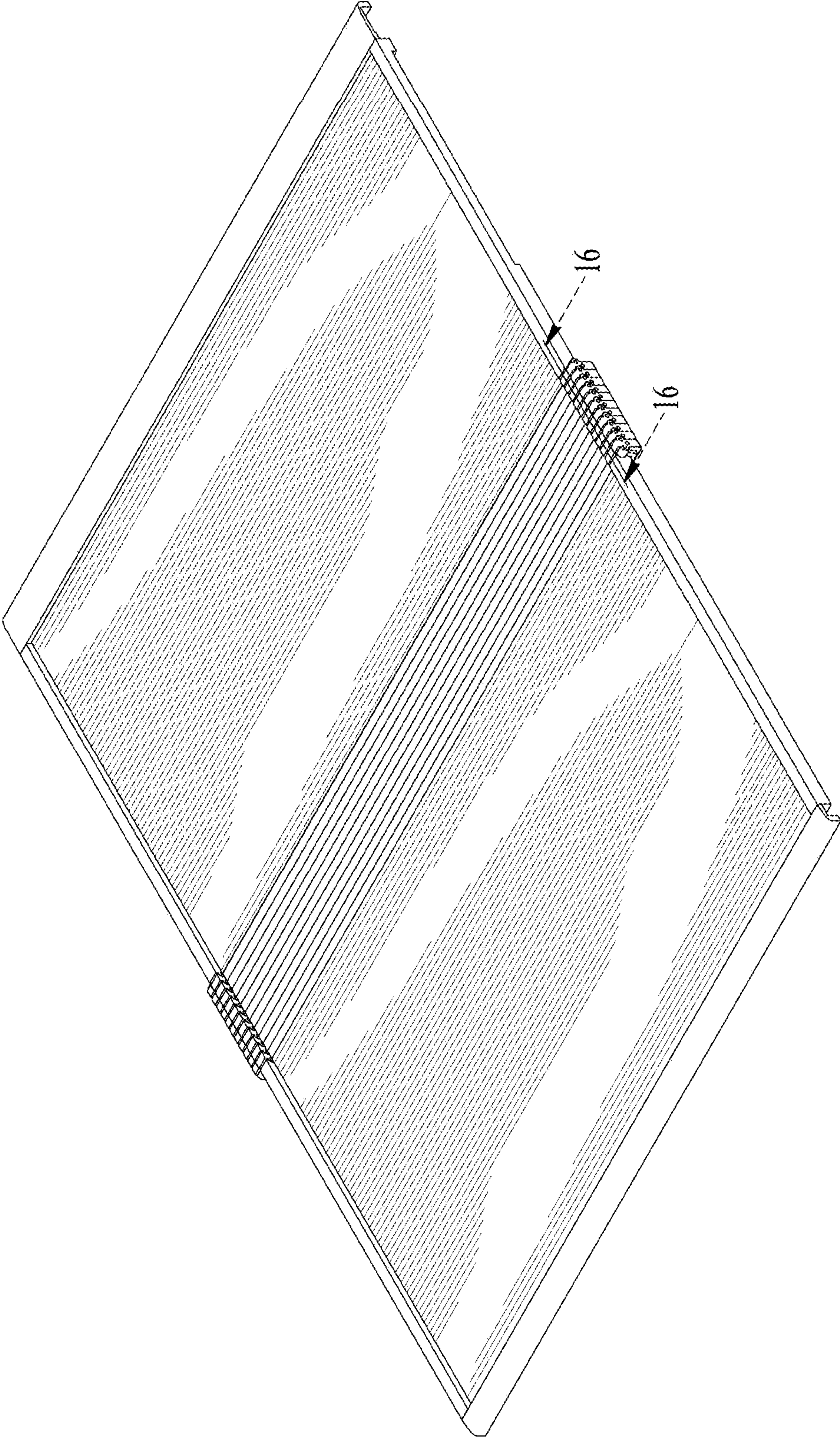


FIG. 15

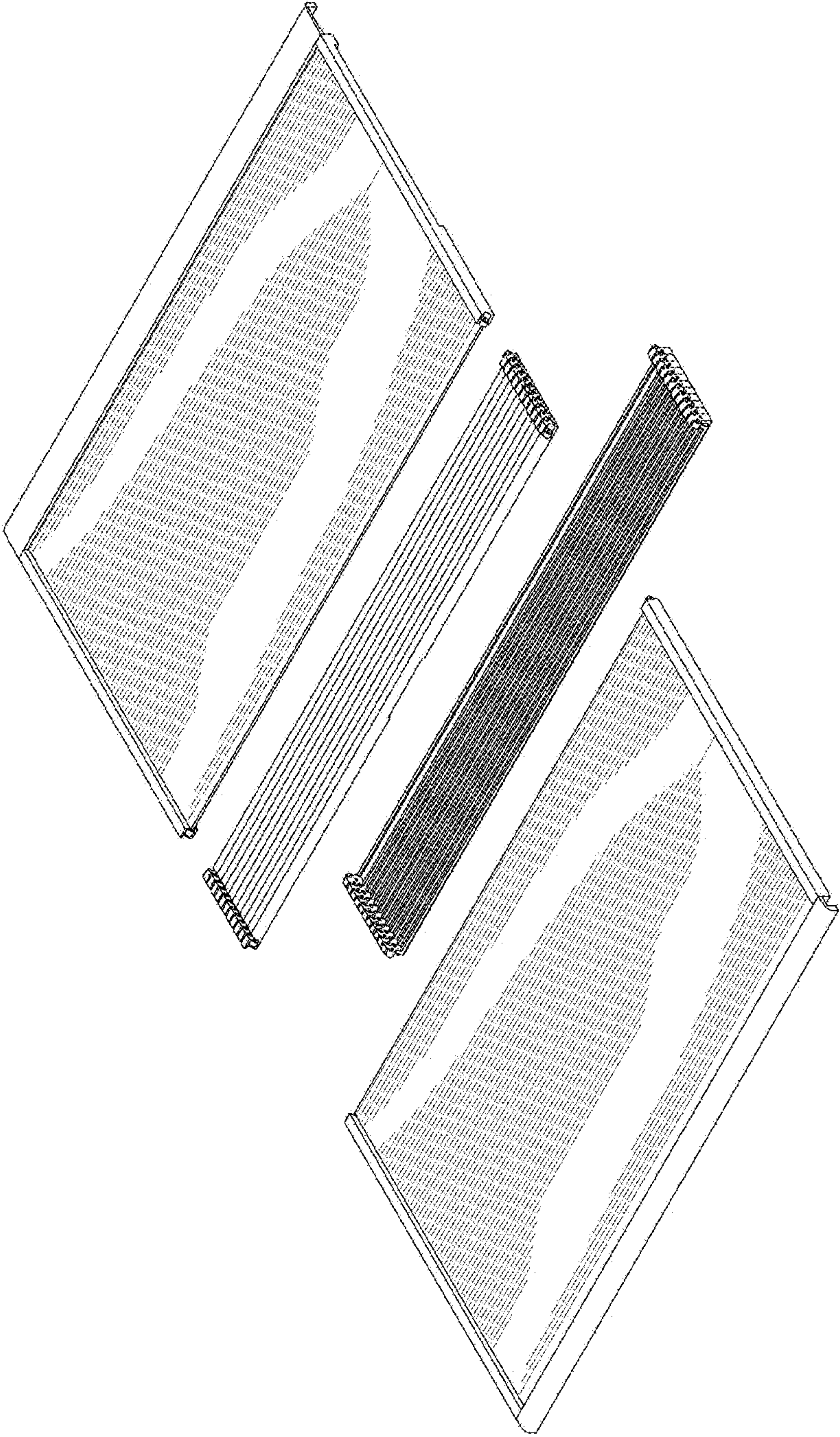


FIG. 16

