

US00D949143S

(12) **United States Design Patent** (10) **Patent No.:** **US D949,143 S**  
**Liu et al.** (45) **Date of Patent:** **\*\* Apr. 19, 2022**

(54) **LAPTOP COMPUTER**

(71) Applicant: **Lenovo (Beijing) Co., Ltd.**, Beijing (CN)

(72) Inventors: **Ruyuan Liu**, Beijing (CN); **Ning Wang**, Beijing (CN)

(73) Assignee: **Lenovo (Beijing) Co., Ltd.**, Beijing (CN)

(\*\*) Term: **15 Years**

(21) Appl. No.: **29/768,393**

(22) Filed: **Jan. 29, 2021**

**Related U.S. Application Data**

(62) Division of application No. 29/669,617, filed on Nov. 9, 2018, now Pat. No. Des. 914,011.

(30) **Foreign Application Priority Data**

May 11, 2018 (CN) ..... 201830214473.0  
May 11, 2018 (CN) ..... 201830214868.0

(51) **LOC (13) Cl.** ..... **14-02**

(52) **U.S. Cl.**  
USPC ..... **D14/327**; D14/324

(58) **Field of Classification Search**  
USPC ..... D14/315-327, 331, 334-336, 339-340, D14/371, 373-374; D18/1-2, 7, 11, D18/12.2-12.3

CPC ..... G06F 1/1618; G06F 1/166; G06F 1/1613; G06F 1/1616; G06F 1/162; G06F 1/1622; G06F 1/1624; G06F 1/1633; G06F 1/1615; G06F 1/1643; G06F 1/1654; G06F 1/1656; G06F 1/1669; G06F 1/203; G06F 1/1688; G06F 1/1601; G06F 1/1637; G06F 1/181; G06F 1/1647; G06F 1/1649; G06F 1/165; G06F 1/1662; G06F 1/1671; G06F 1/169; G06F 1/1692; H05K 5/0047; H05K 5/0052

See application file for complete search history.

(56) **References Cited**

U.S. PATENT DOCUMENTS

4,959,887 A \* 10/1990 Gruenberg ..... G06F 1/1616  
16/223  
D614,616 S \* 4/2010 Denhez ..... D14/315  
D636,388 S \* 4/2011 Kawase ..... D14/315

(Continued)

OTHER PUBLICATIONS

De Leon, Nicholas, Best Lenovo Laptop Deals for Black Friday and Cyber Monday, posted at Consumer Reports, posting date Oct. 30, 2019. Site visited Aug. 8, 2020. URL: <https://www.consumerreports.org/laptop-computers/best-lenovo-laptop-deals-for-black-friday-cyber-monday/> (Year: 2019).\*

(Continued)

*Primary Examiner* — Kathleen L Jones

(74) *Attorney, Agent, or Firm* — Oppedahl Patent Law Firm LLC

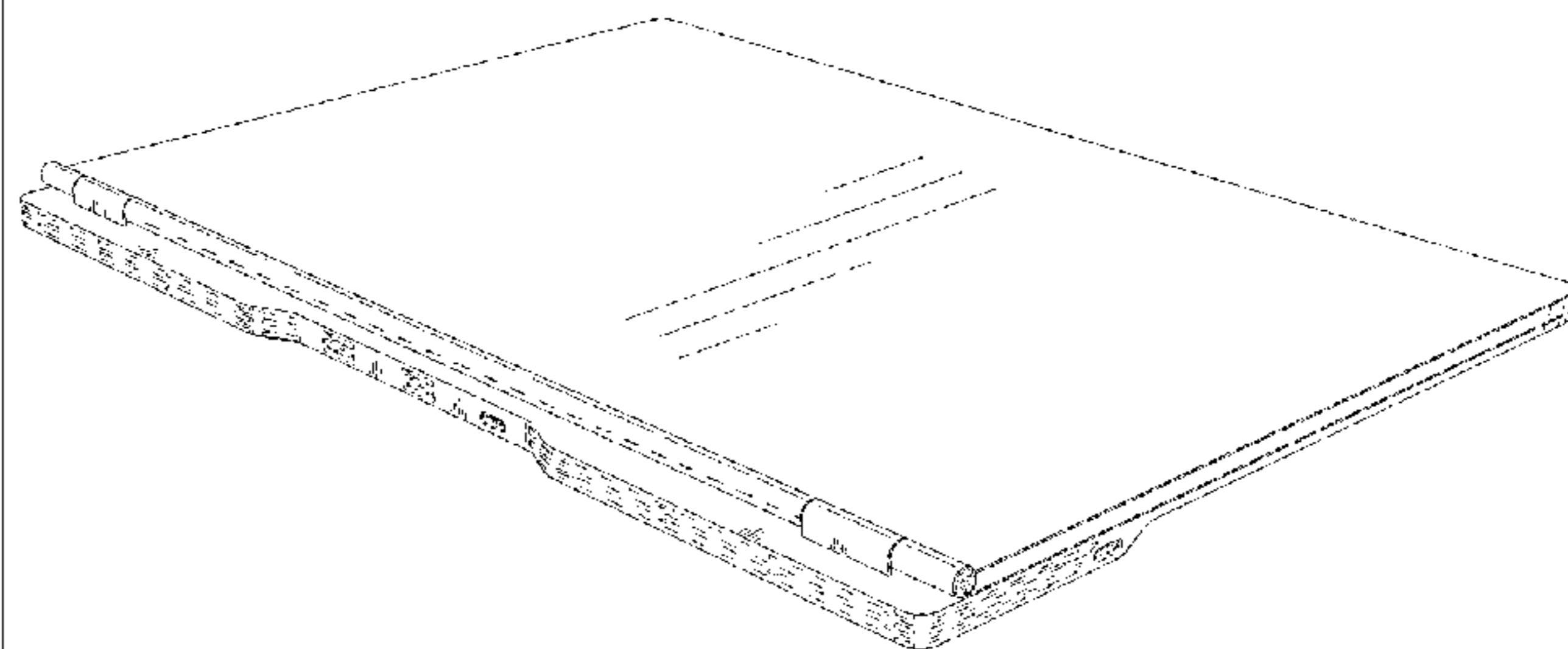
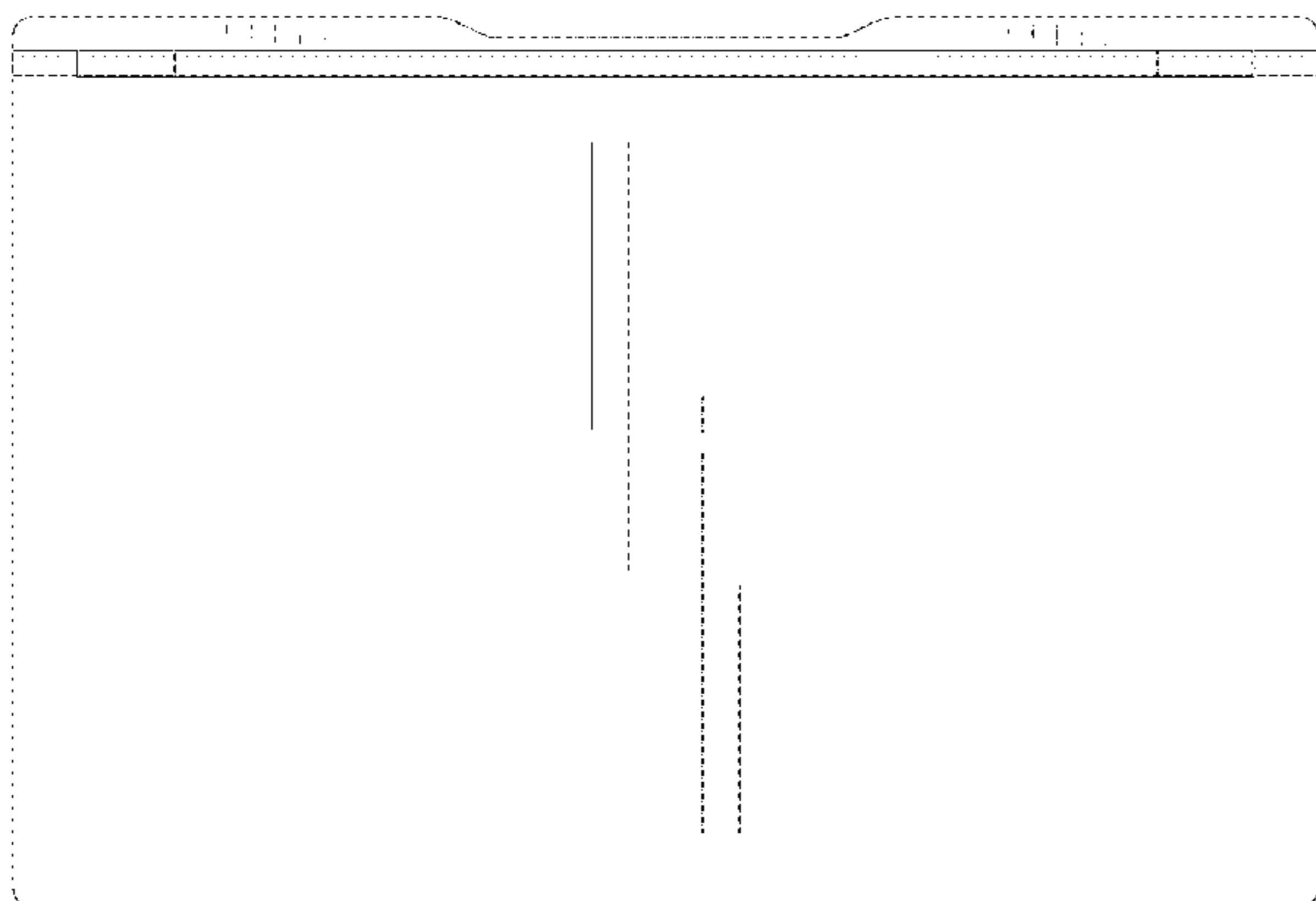
(57) **CLAIM**

The ornamental design for a laptop computer, as shown and described.

**DESCRIPTION**

FIG. 1 is a front view of a laptop computer showing the new design;  
FIG. 2 is a back view thereof;  
FIG. 3 is a left side view thereof;  
FIG. 4 is a right side view thereof;  
FIG. 5 is a top view thereof;  
FIG. 6 is a bottom view thereof; and,  
FIG. 7 is a perspective view thereof.  
The broken lines shown in the drawings illustrate portions of the laptop computer that form no part of the claimed design.

**1 Claim, 7 Drawing Sheets**



(56)

References Cited

U.S. PATENT DOCUMENTS

D649,542 S \* 11/2011 Yoon ..... D14/315  
 D659,134 S \* 5/2012 Ahn ..... D14/318  
 D683,727 S \* 6/2013 Xia ..... D14/315  
 D686,203 S \* 7/2013 Lee ..... D14/315  
 D720,743 S \* 1/2015 Leonard ..... D14/316  
 D732,523 S \* 6/2015 Riddiford ..... D14/315  
 D735,187 S \* 7/2015 Hsu ..... D14/315  
 D794,010 S \* 8/2017 Smith ..... D14/315  
 D803,826 S \* 11/2017 Wang ..... D14/316  
 D804,466 S \* 12/2017 Okuley ..... D14/315  
 D804,467 S \* 12/2017 Probst ..... D14/315  
 D813,861 S \* 3/2018 Goh ..... D14/315  
 D835,095 S \* 12/2018 Goh ..... D14/315  
 D877,734 S \* 3/2020 Cha ..... D14/327  
 D881,873 S \* 4/2020 Li ..... D14/316  
 D890,166 S \* 7/2020 Jung ..... D14/315  
 D890,746 S \* 7/2020 Moon ..... D14/315  
 D890,749 S \* 7/2020 Draca ..... D14/327  
 D891,439 S \* 7/2020 Lee ..... D14/461  
 D894,178 S \* 8/2020 Dieterle ..... D14/315  
 D898,733 S \* 10/2020 Zhang ..... D14/315  
 D900,090 S \* 10/2020 Xiao ..... D14/318

D904,395 S \* 12/2020 Reed ..... D14/315  
 D914,011 S \* 3/2021 Liu ..... D14/324  
 D915,394 S \* 4/2021 Lin ..... D14/327  
 D915,395 S \* 4/2021 Wang ..... D14/327  
 D917,456 S \* 4/2021 Hsieh ..... D14/315  
 11,079,808 B2 \* 8/2021 Fang ..... G06F 1/1618  
 D936,646 S \* 11/2021 Lin ..... D14/327  
 2005/0083644 A1 \* 4/2005 Song ..... G06F 1/1637  
 361/679.06  
 2009/0303680 A1 \* 12/2009 Mihara ..... G06F 1/20  
 361/679.55

OTHER PUBLICATIONS

Top 20 Best Selling Quad Core / Gaming Laptops 2018. Posted at Reinis Fischer, posting date May 1, 2018. Site visited Aug. 7, 2020 . URL: <<https://www.reinifischer.com/top-20-best-selling-quad-core-gaming-laptops-2018>> (Year: 2018).\*

Peters, Jared, Google possibly developing touchscreen laptops running Chrome OS, posted at TalkAndroid, posting date Feb. 20, 2013. Site visited Aug. 7, 2020. URL: <<https://www.talkandroid.com/151458-google-possibly-developing-touchscreen-laptops-running-chrome-os/>> (Year: 2013).\*

\* cited by examiner

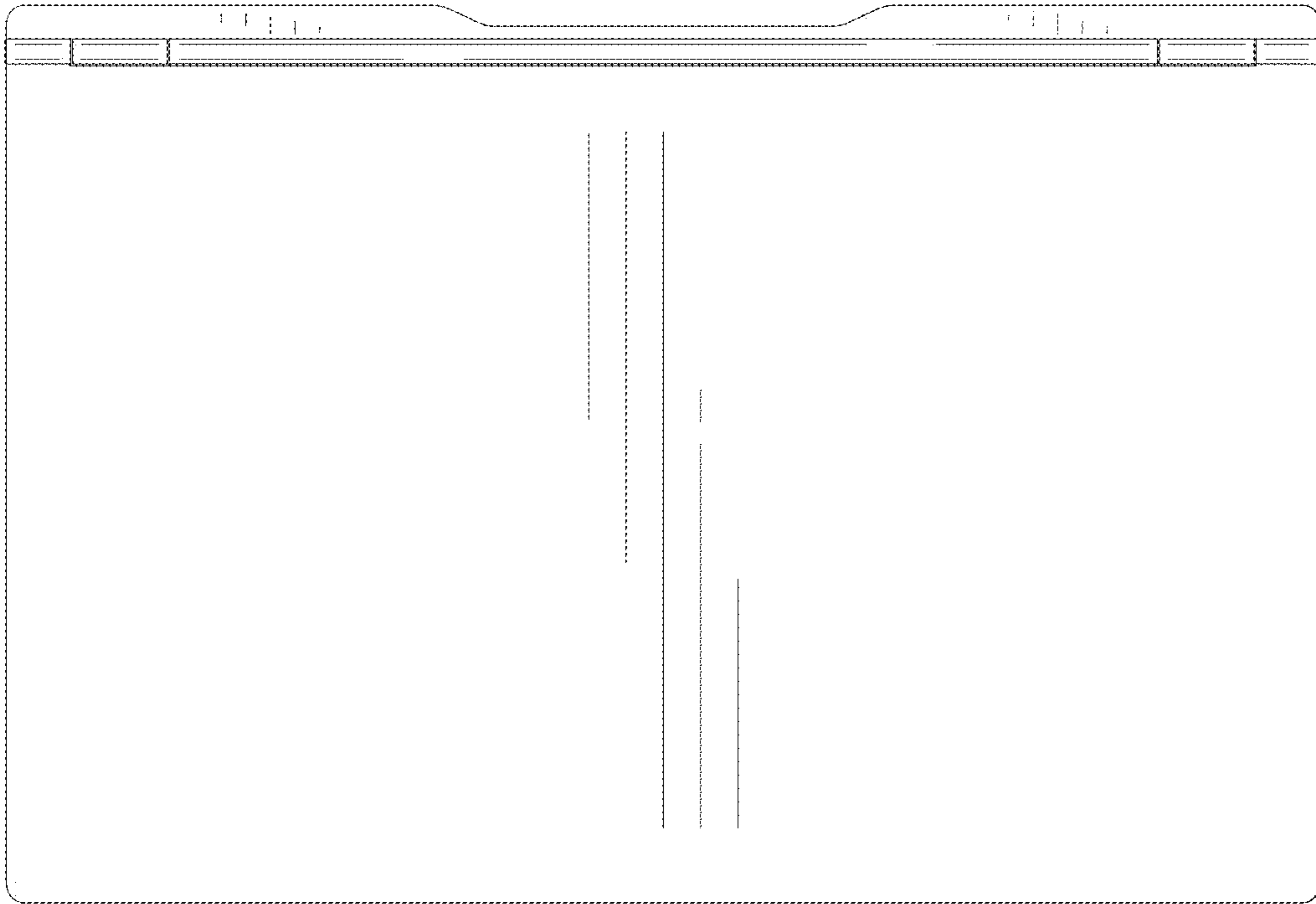


FIG. 1

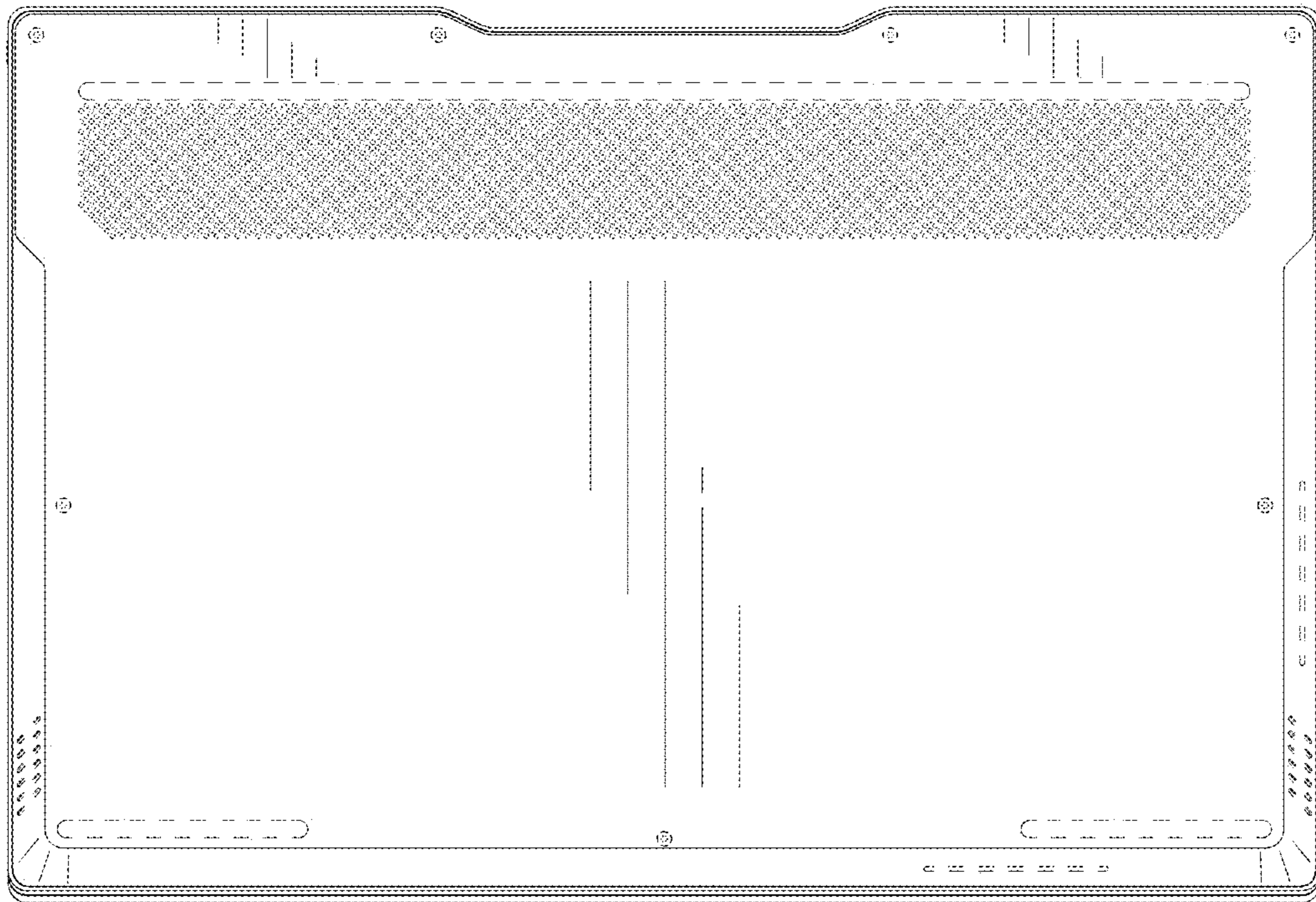


FIG. 2

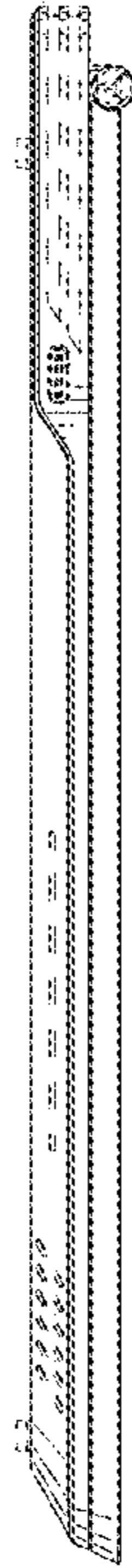


FIG. 3

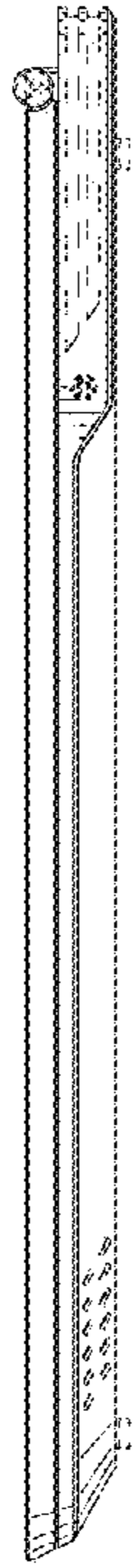


FIG. 4

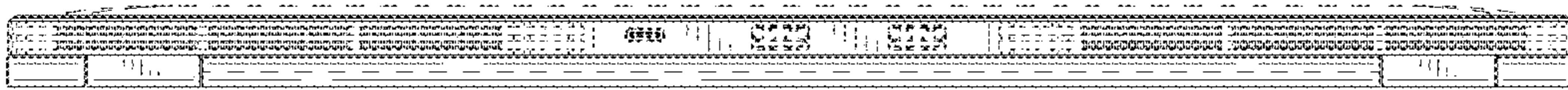


FIG. 5

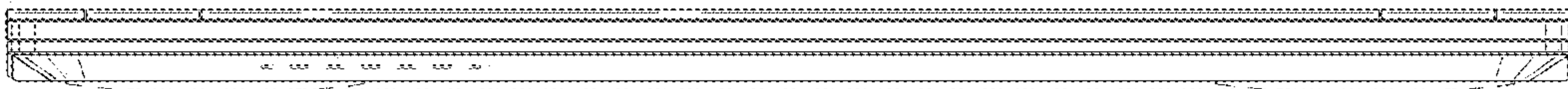


FIG. 6



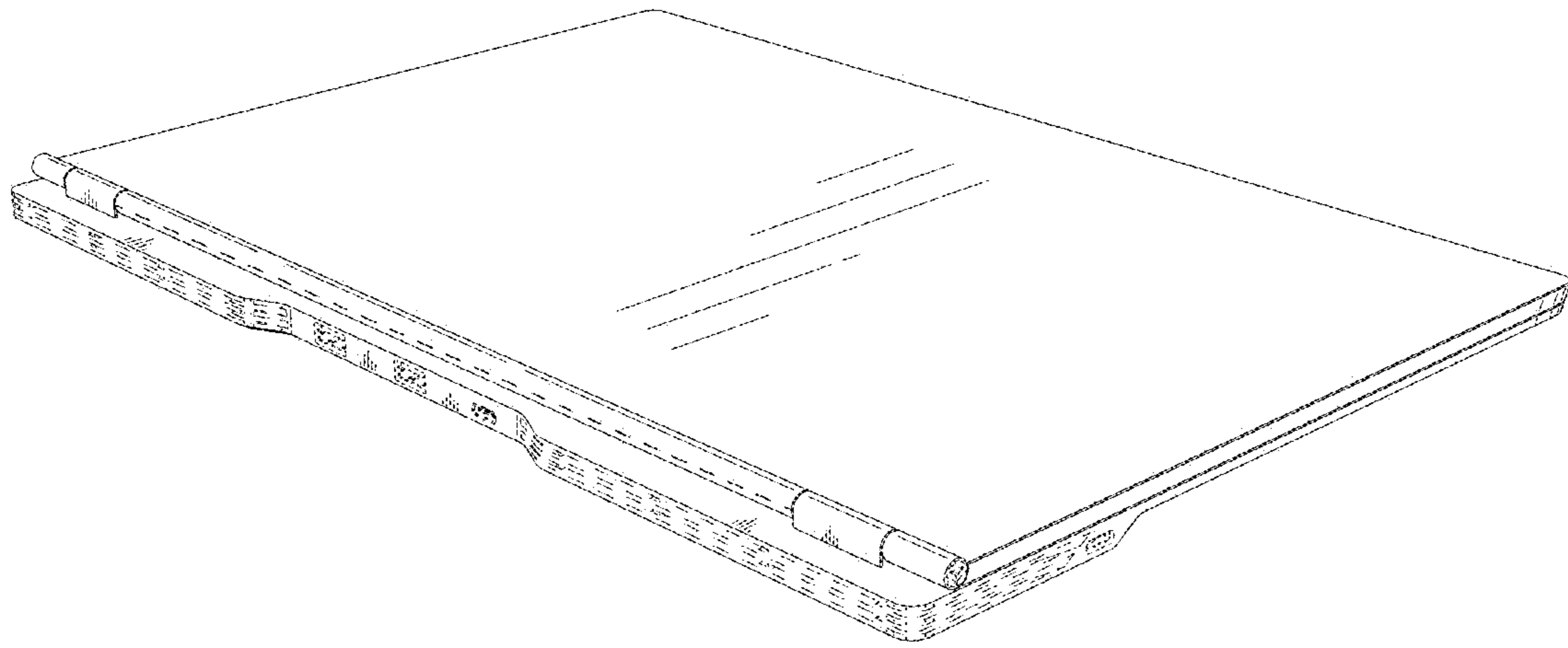


FIG. 7