



US00D949142S

(12) **United States Design Patent**
Kim et al.

(10) **Patent No.:** **US D949,142 S**

(45) **Date of Patent:** **** Apr. 19, 2022**

(54) **NOTEBOOK**

G06F 1/1649; G06F 1/165; G06F 1/1662;
G06F 1/1671; G06F 1/169; G06F 1/1692

See application file for complete search history.

(71) Applicant: **SAMSUNG ELECTRONICS CO., LTD.**, Suwon-si (KR)

(56) **References Cited**

(72) Inventors: **Inshik Kim**, Suwon-si (KR); **Namkyu Kim**, Suwon-si (KR); **Haesung Park**, Suwon-si (KR); **Namhyun Kang**, Suwon-si (KR)

U.S. PATENT DOCUMENTS

D633,488	S	*	3/2011	Kim	D14/315
D643,426	S	*	8/2011	A. B.	D14/316
D651,597	S	*	1/2012	Lee	D14/315
D651,600	S	*	1/2012	Lee	D14/315
D652,415	S	*	1/2012	Lee	D14/315
D652,417	S	*	1/2012	Lee	D14/315
D657,785	S	*	4/2012	Lee	D14/315

(Continued)

(73) Assignee: **SAMSUNG ELECTRONICS CO., LTD.**, Gyeonggi-Do (KR)

(**) Term: **15 Years**

OTHER PUBLICATIONS

(21) Appl. No.: **29/716,301**

Iwama et al., Japanese Design No. D1229643, published at Orbit, publication date Feb. 7, 2005. Site visited Sep. 26, 2021. Available from Internet. (Year: 2005).*

(22) Filed: **Dec. 9, 2019**

(Continued)

(30) **Foreign Application Priority Data**

Jun. 14, 2019 (KR) 30-2019-0028366

Primary Examiner — Kathleen L Jones

(74) *Attorney, Agent, or Firm* — Cantor Colburn LLP

(51) **LOC (13) Cl.** **14-02**

(57) **CLAIM**

(52) **U.S. Cl.**
USPC **D14/327**

The ornamental design for a notebook, as shown and described.

(58) **Field of Classification Search**

DESCRIPTION

USPC D14/315–327, 371, 448, 126–127,
D14/339–340, 450, 373; D18/1, 4.3, 7,
D18/12.2–12.3

CPC G06F 1/166; G06F 1/1613; G06F 1/1616;
G06F 1/1618; G06F 1/162; G06F 1/1622;
G06F 1/1624; G06F 1/1628; G06F
1/1633; G06F 1/1615; G06F 1/1643;
G06F 1/1652; G06F 1/1654; G06F
1/1656; G06F 1/1669; G06F 1/203; G06F
1/1688; G06F 1/1601; G06F 1/1637;
G06F 1/181; G06F 1/1641; G06F 1/1647;

FIG. 1 is a top perspective view of a notebook, showing our new design;

FIG. 2 is a front view thereof;

FIG. 3 is a rear view thereof;

FIG. 4 is a left-side view thereof;

FIG. 5 is a right-side view thereof;

FIG. 6 is a top view thereof;

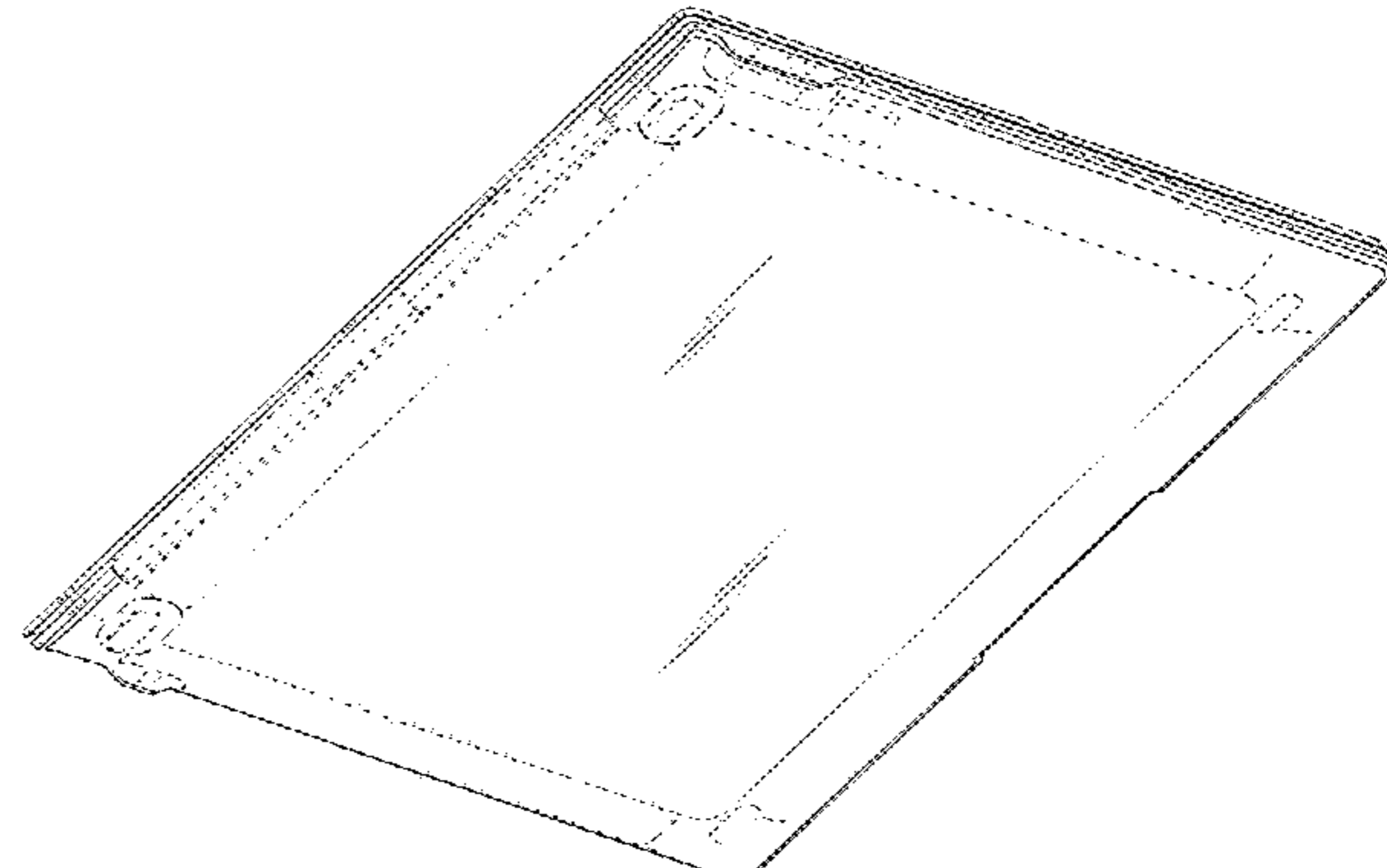
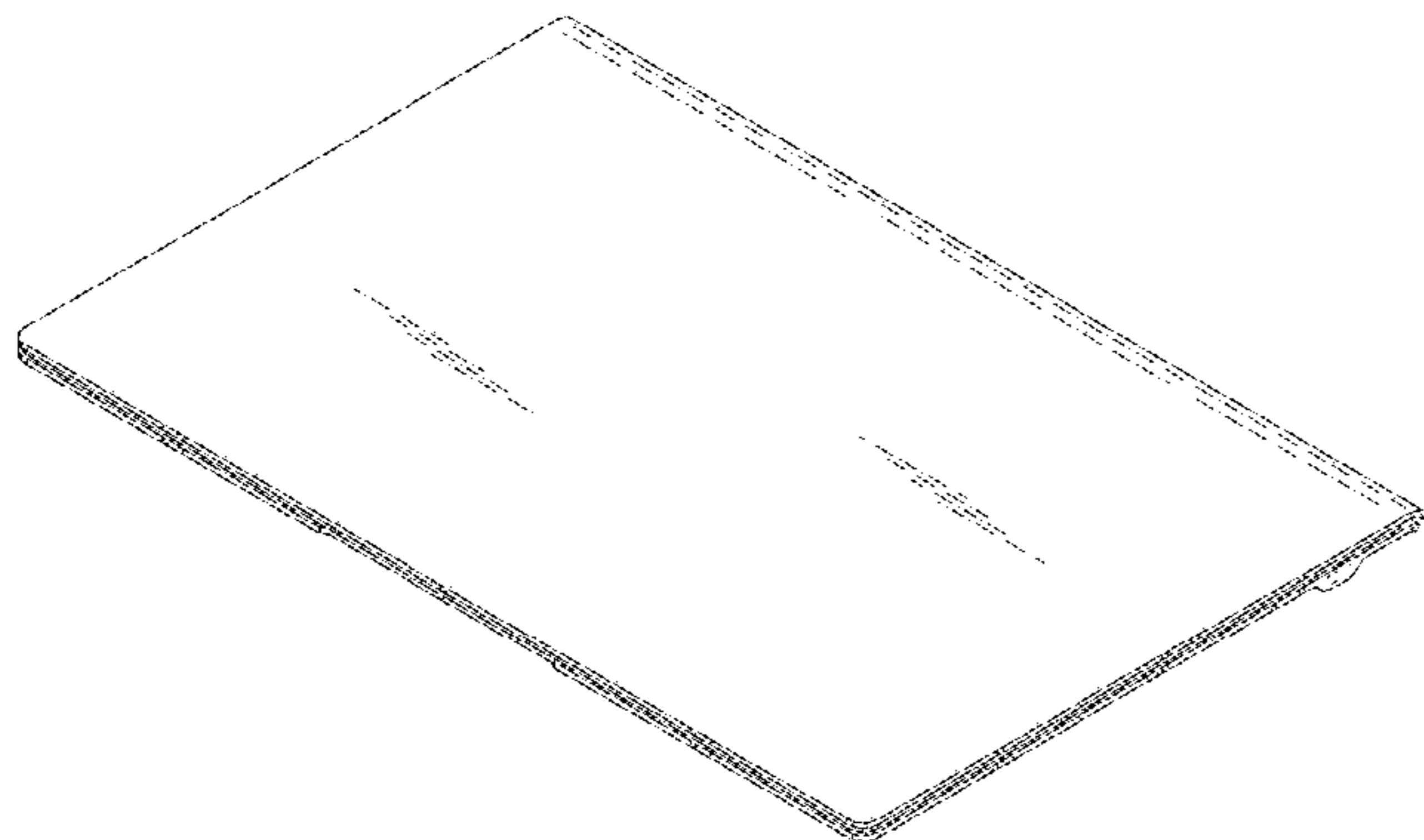
FIG. 7 is a bottom view thereof;

FIG. 8 is another top perspective view thereof; and,

FIG. 9 is a bottom perspective view thereof.

The evenly-dashed broken lines illustrating portions of the notebook form no part of the claimed design. The dot-dash

(Continued)



broken lines in the figures represent a boundary of the claimed design and form no part of the claimed design.

1 Claim, 5 Drawing Sheets

D746,808 S *	1/2016	Matsuoka	D14/318
D748,626 S *	2/2016	Lee	D14/345
D795,245 S *	8/2017	Seoc	D14/315
D928,143 S *	8/2021	Yeom	D14/315
2012/0092195 A1 *	4/2012	Lin	G06F 1/1628 341/22

(56)

References Cited

U.S. PATENT DOCUMENTS

D688,237 S *	8/2013	Paulhac	D14/315
D697,908 S *	1/2014	Kim	D14/315
D705,216 S *	5/2014	Baek	D14/315
D717,788 S *	11/2014	Yun	D14/315
D724,074 S *	3/2015	Lee	D14/315
D725,648 S *	3/2015	Chang	D14/327
D730,345 S *	5/2015	Lee	D14/315
D733,701 S *	7/2015	Lee	D14/327
D733,702 S *	7/2015	Lee	D14/327
D734,325 S *	7/2015	Lee	D14/327

OTHER PUBLICATIONS

Ngo, Allen, Asus Vivobook 15 F512DA Laptop Review: AMD Ryzen 3 for \$400, posted at NotebookCheck, posting date Apr. 20, 2020. Site visited Dec. 4, 2021. URL: <<https://www.notebookcheck.net/Asus-Vivobook-15-F512DA-Laptop-Review-AMD-Ryzen-3-for-400.461969.0.html>> (Year: 2020).*

Ackerman, Dan, New HP Envy laptops go big for back-to-school, posted at CNET, posting date Jun. 18, 2015. Site visited Dec. 3, 2021. URL: <<https://www.cnet.com/reviews/hp-envy-17-2015-preview/>> (Year: 2015).*

* cited by examiner

FIG.1

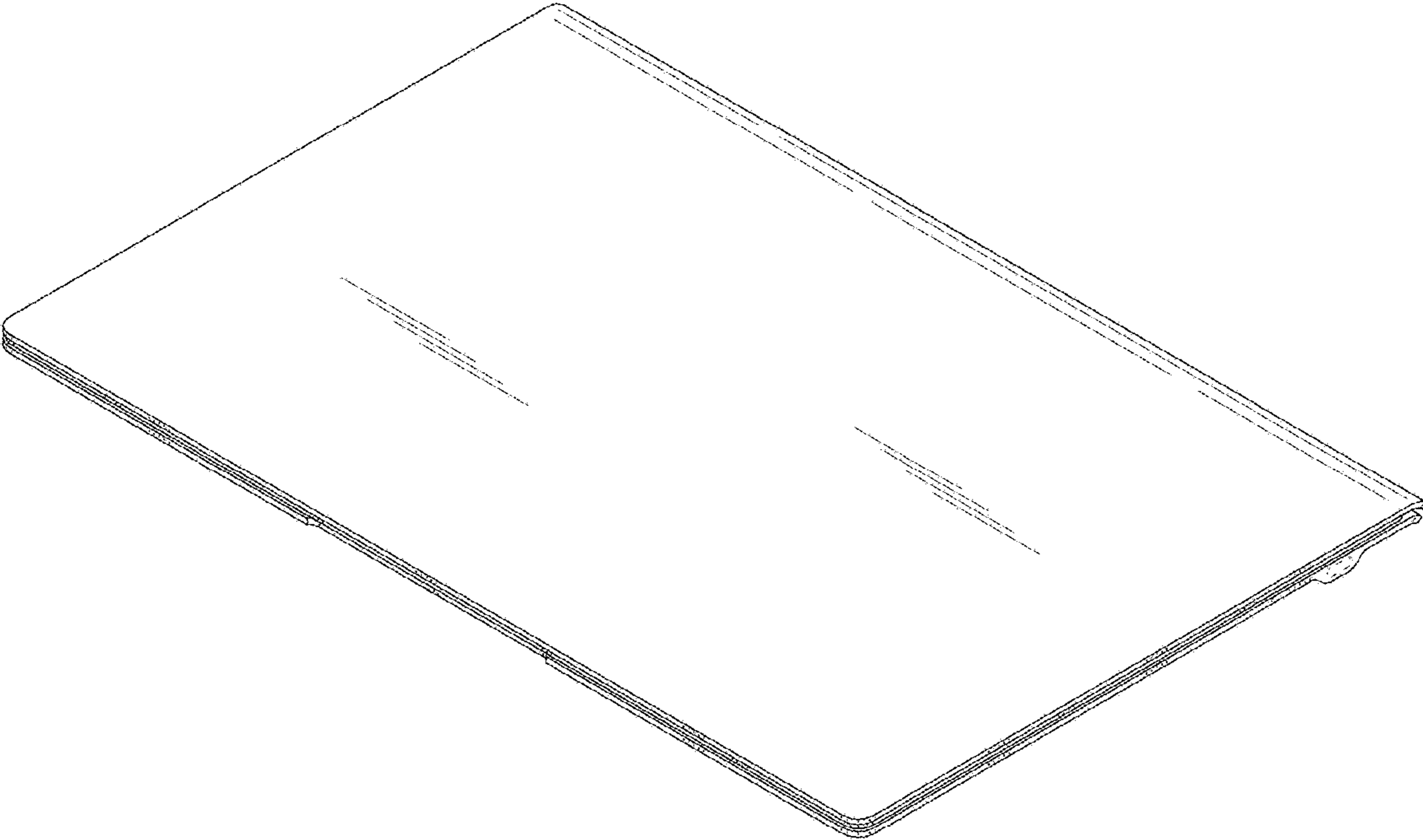


FIG.2

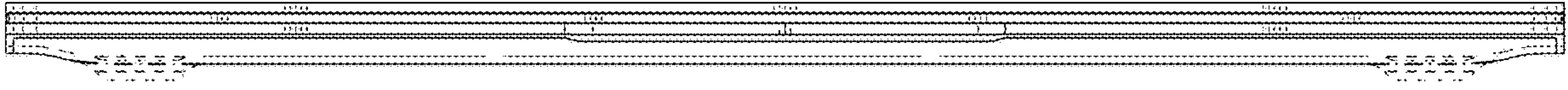


FIG.3

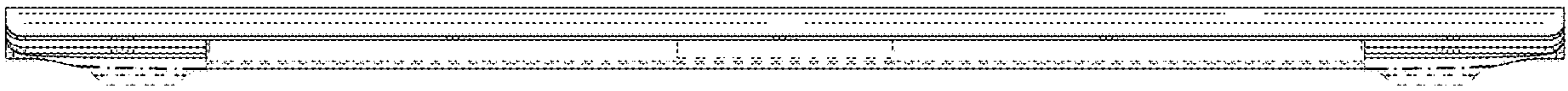


FIG.4

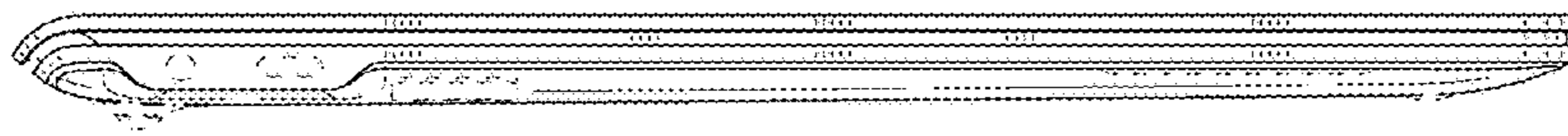


FIG.5

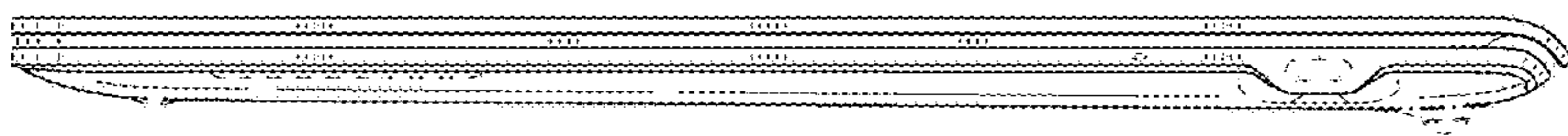


FIG.6

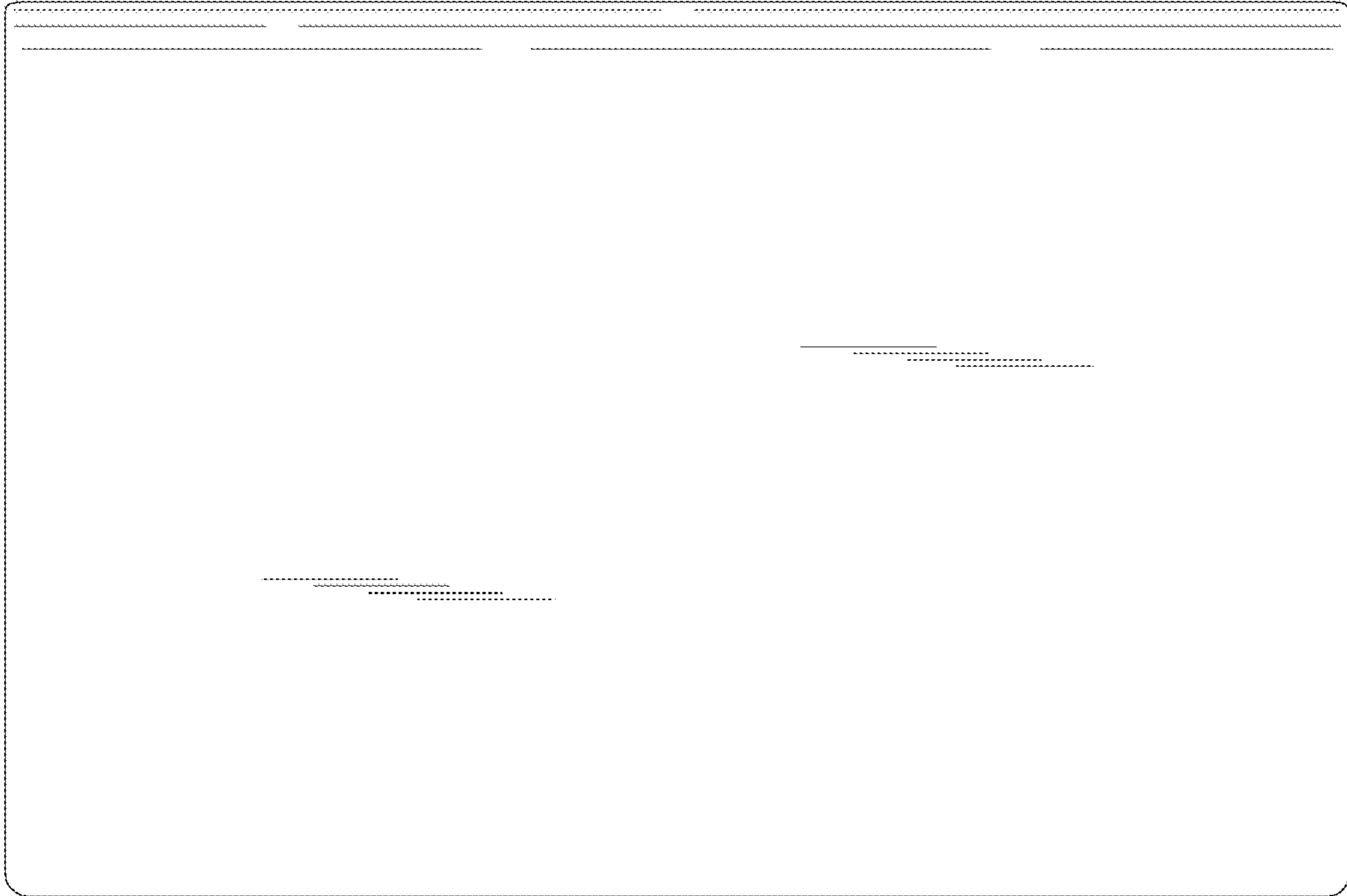


FIG.7

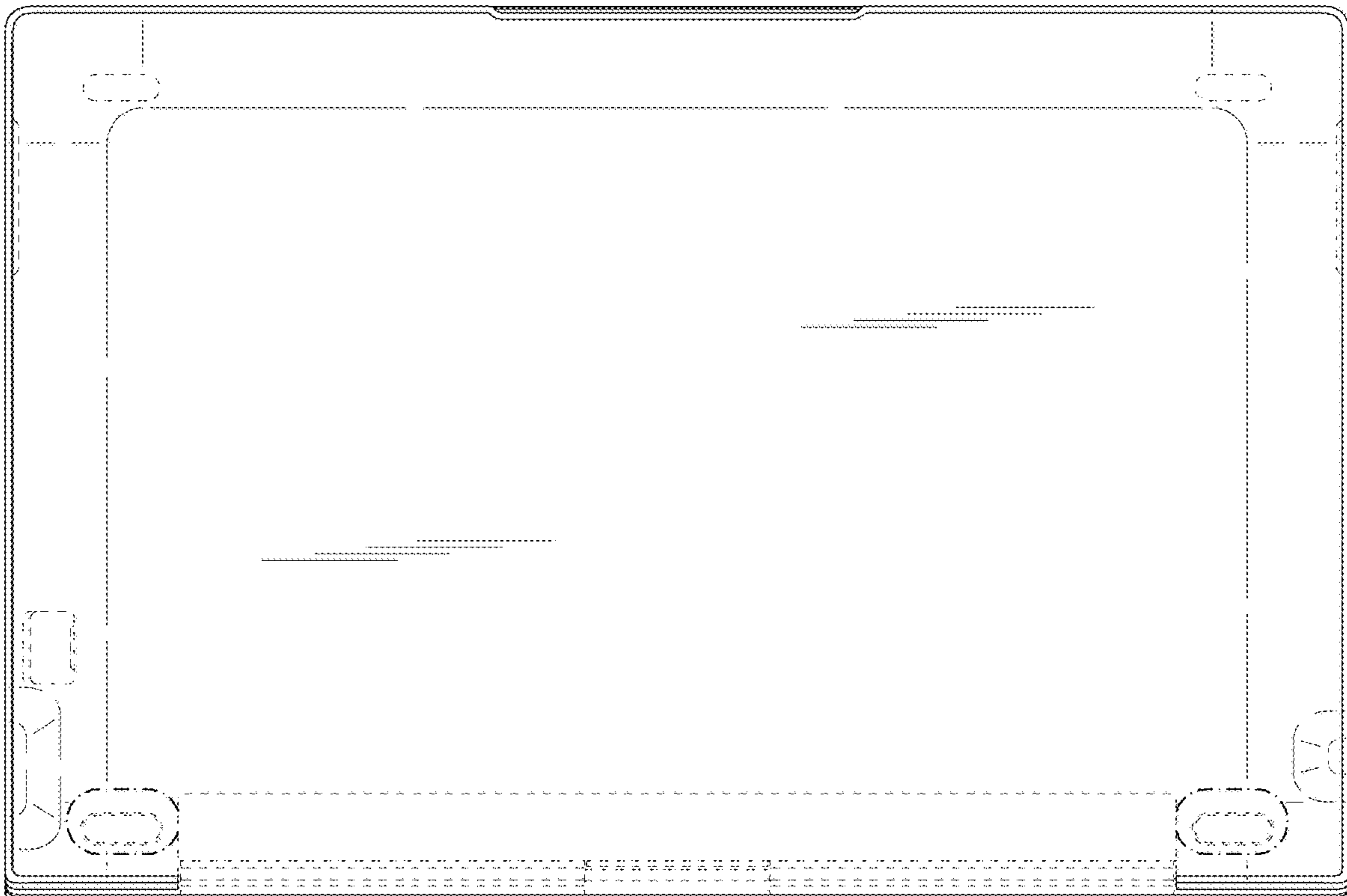


FIG.8

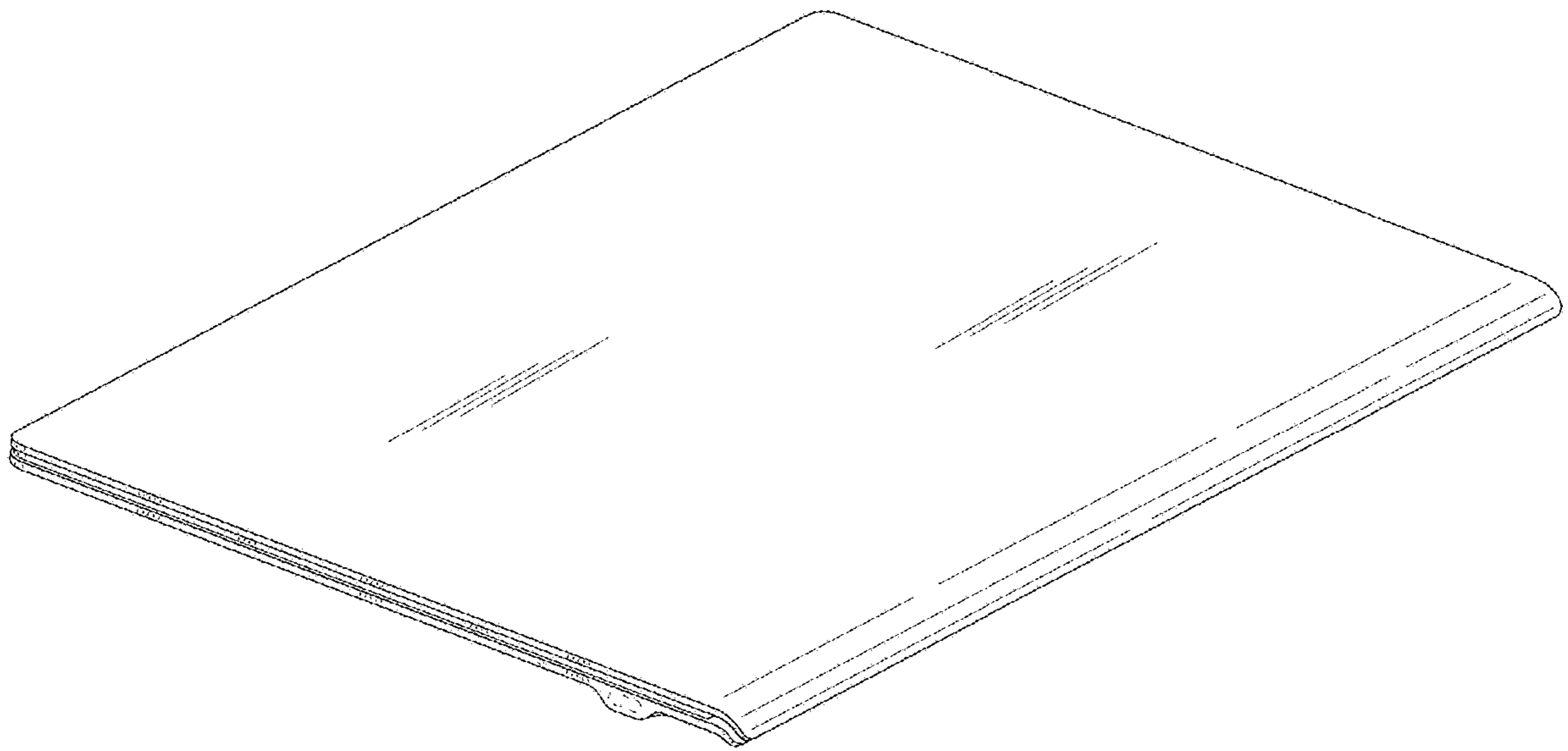


FIG.9

