



US00D949141S

(12) **United States Design Patent** (10) **Patent No.:** **US D949,141 S**  
**Reaux** (45) **Date of Patent:** **\*\* Apr. 19, 2022**

(54) **JERSEY-SHAPED STAND AND GRIP**  
(71) Applicant: **Brian K. Reaux**, Red Oak, TX (US)  
(72) Inventor: **Brian K. Reaux**, Red Oak, TX (US)  
(\*\*) Term: **15 Years**  
(21) Appl. No.: **29/742,046**  
(22) Filed: **Oct. 12, 2019**  
(51) **LOC (13) Cl.** ..... **14-03**  
(52) **U.S. Cl.**  
USPC ..... **D14/253**  
(58) **Field of Classification Search**  
USPC ..... D14/371-382, 125-129, 336, 337,  
D14/447-452, 492, 335, 376-382, 239,  
D14/457, 439-441, 432, 250-253;  
D8/349, 354, 363, 373, 376, 380;  
D21/333; D12/415; D3/218, 249, 301;  
348/180, 184, 325, 739, 825  
CPC ..... G06F 3/0412; G06F 3/016; G06F 3/0488;  
G06F 3/011; G06F 3/038; G06F 3/03543;  
G06F 3/0338; G06F 3/0202; G06F  
3/0219; G06F 3/0213; G06F 1/1616;  
G06F 3/023; G06F 3/04883; G02F  
1/13338; G02F 1/1313; G02F 1/1333;  
G02F 1/135; G02F 1/132; G02F  
1/133308; G02F 1/134309; G02F  
1/13718; G09G 3/3648; G06K 15/1252;  
B41J 2/465; G03F 7/70291; G02B  
27/0172; G02B 5/30; G02B 2027/0118;  
G02B 27/0101; F16M 13/02; F16M  
13/00; F16M 11/10; F16M 11/04; F16M  
2200/08; F16M 11/2021; A47B 21/0314;  
A47B 88/044; A47B 2021/0335; H02G  
3/126; F16B 47/00; F16B 47/006; A47G  
1/17; A47K 2201/00  
See application file for complete search history.

D577,029 S \* 9/2008 Naqvi ..... D14/458  
D682,561 S \* 5/2013 Ferris ..... D6/303  
D747,615 S \* 1/2016 Anderson ..... D6/608  
D816,544 S \* 5/2018 Anderson ..... D11/165  
10,962,169 B1 \* 3/2021 White ..... F16M 11/38  
D928,764 S \* 8/2021 Yeo ..... D14/250  
2013/0036525 A1 \* 2/2013 Grooms ..... A41D 1/00  
2/69  
2014/0143929 A1 \* 5/2014 Curran ..... A41D 27/14  
2/69  
2015/0257288 A1 \* 9/2015 Livernois ..... H04B 1/3877  
248/346.06  
2019/0111855 A1 \* 4/2019 Aloe ..... F16M 11/041  
2019/0245960 A1 \* 8/2019 Nahum ..... F16M 11/046

\* cited by examiner

Primary Examiner — Katie Jane Stofko

(57) **CLAIM**

The ornamental design for a jersey-shaped stand and grip, as shown and described.

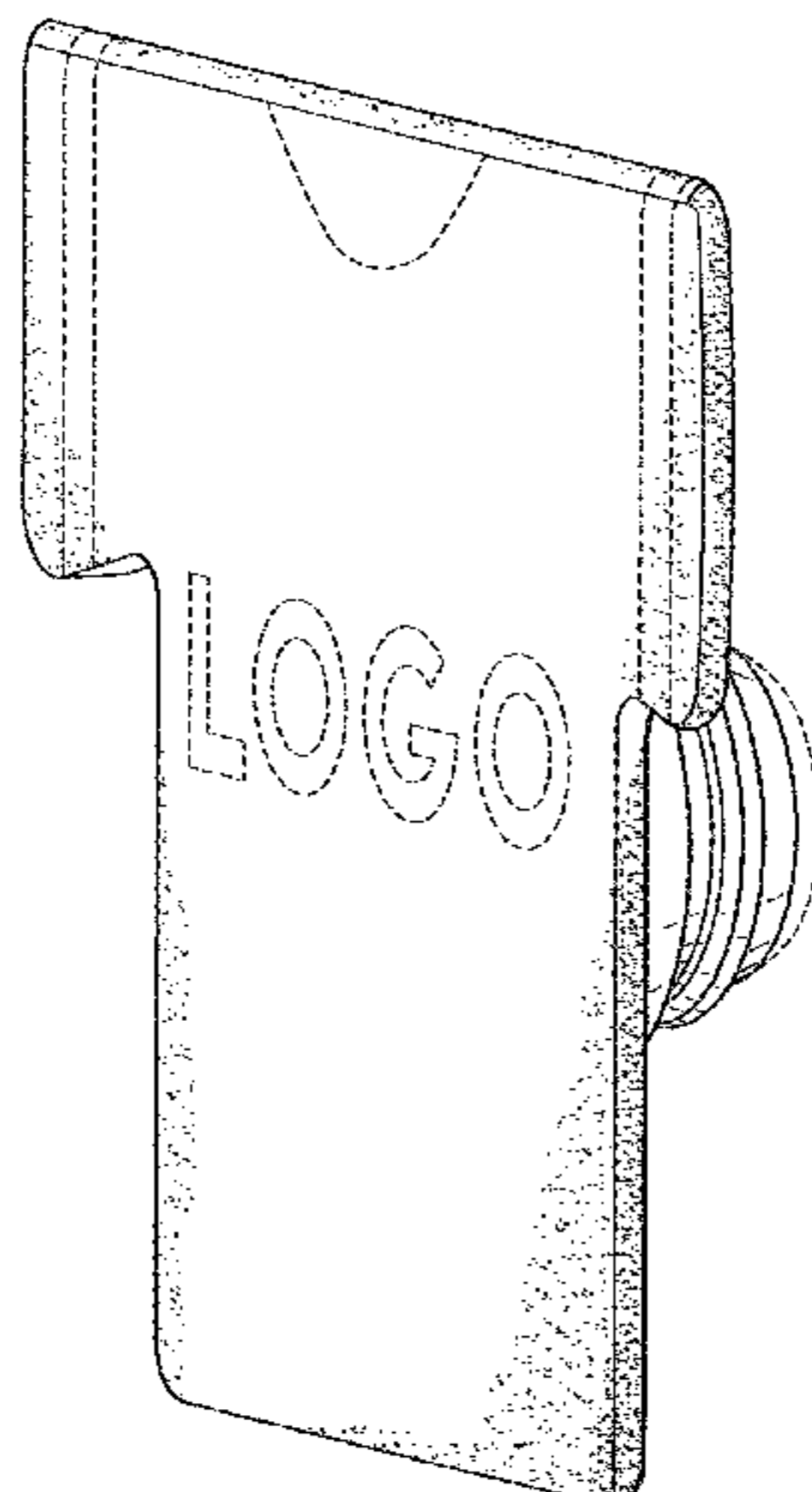
**DESCRIPTION**

FIG. 1 is a top, front, right side view of a first embodiment of a jersey-shaped stand and grip showing my new design; FIG. 2 is a top, front, right side view of a second embodiment of a jersey-shaped stand and grip showing my new design; FIG. 3 is a right side elevation view thereof; FIG. 4 is a right side elevation view thereof, shown in a collapsed position; FIG. 5 is a top plan view thereof; FIG. 6 is a bottom plan view thereof; and, FIG. 7 is a rear elevation view thereof. The broken lines shown in FIGS. 1-7 illustrate portions of the jersey-shaped stand and grip that form no part of the claimed design.

**1 Claim, 5 Drawing Sheets**

(56) **References Cited**  
U.S. PATENT DOCUMENTS

3,222,695 A \* 12/1965 Brown ..... A47D 15/003  
5/417  
D501,893 S \* 2/2005 Puett, III ..... D11/172



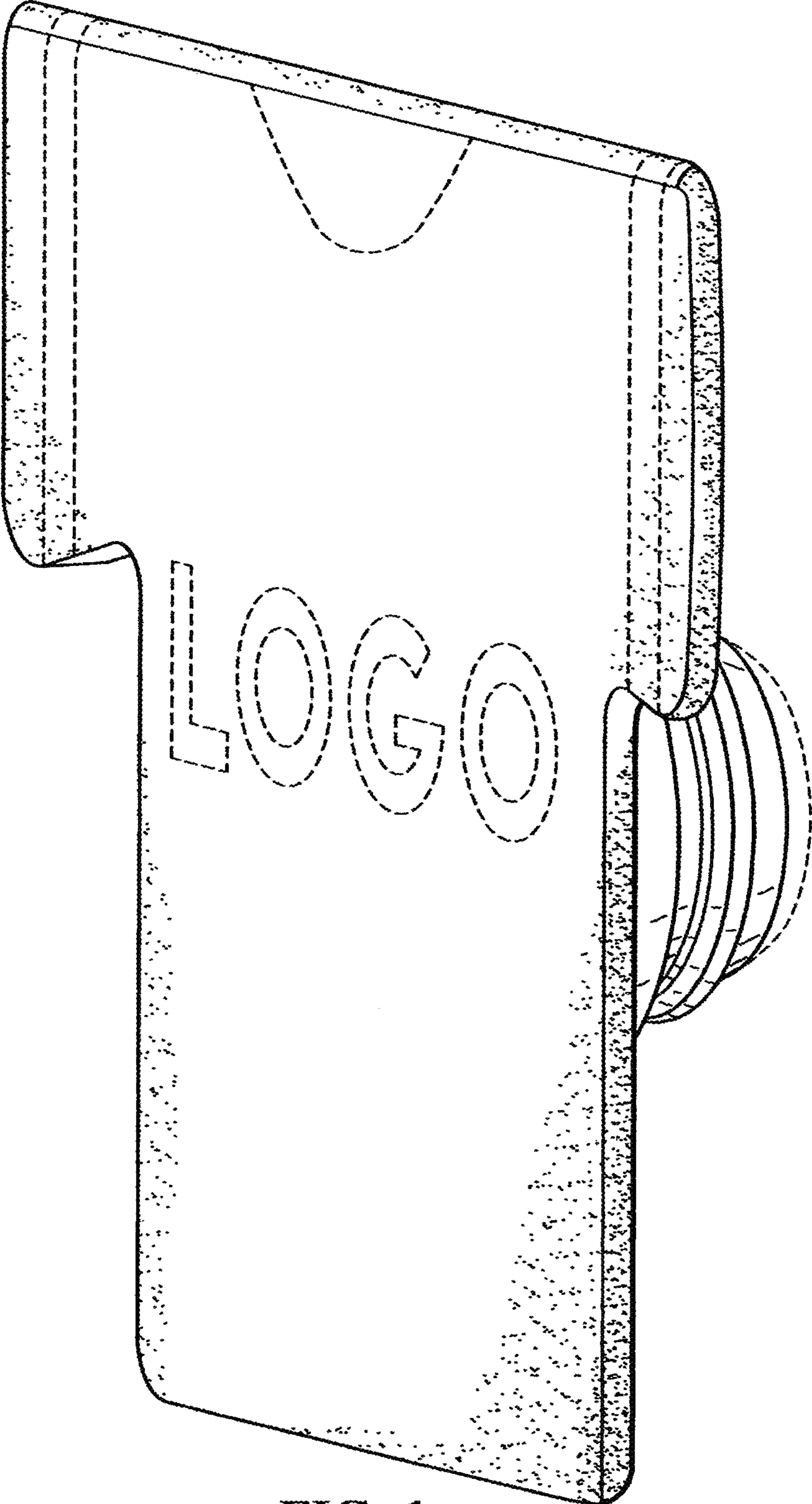


FIG. 1

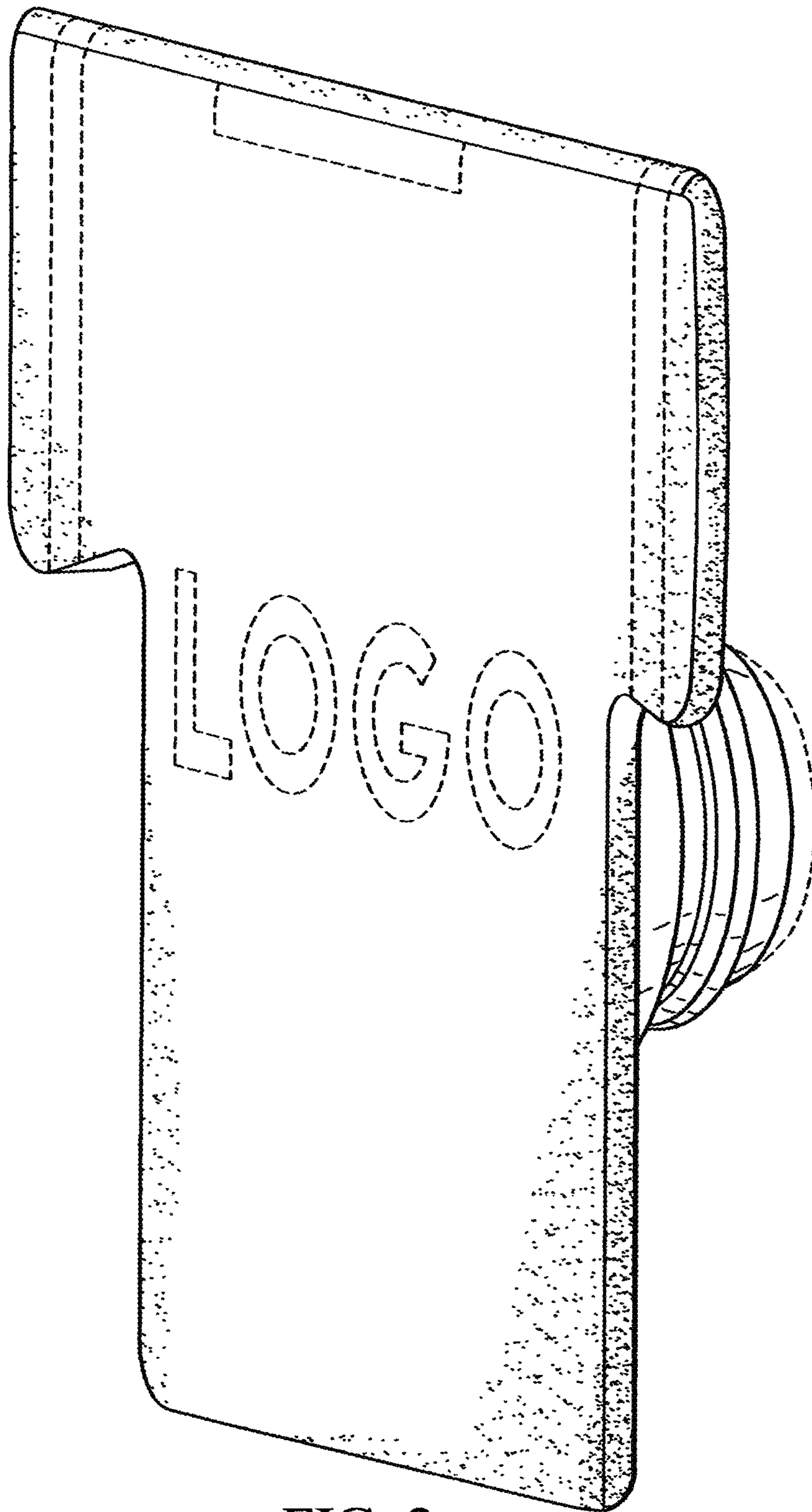


FIG. 2

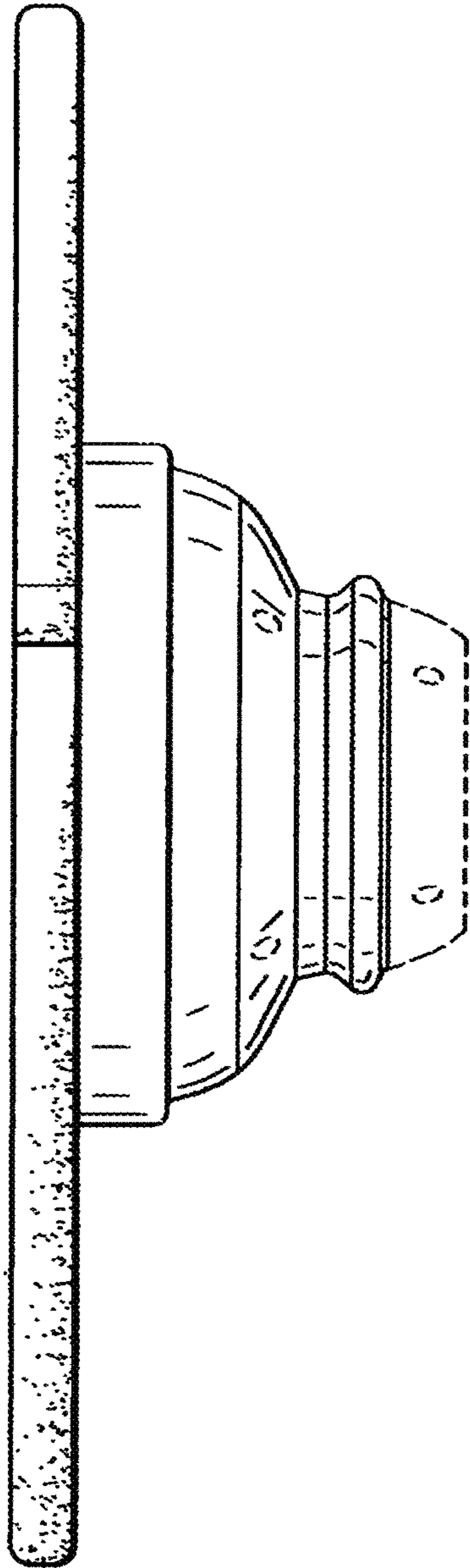


FIG. 3

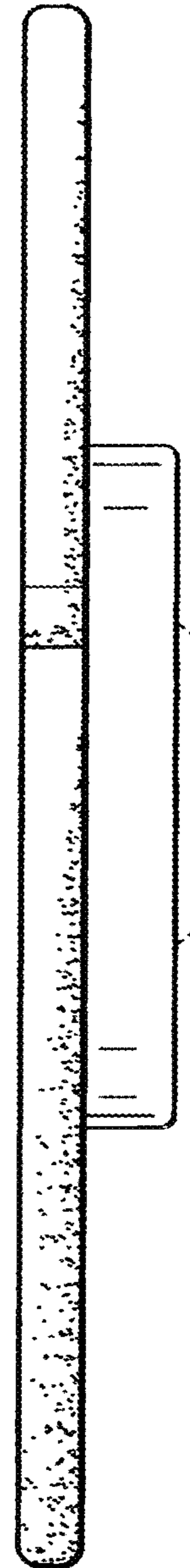


FIG. 4

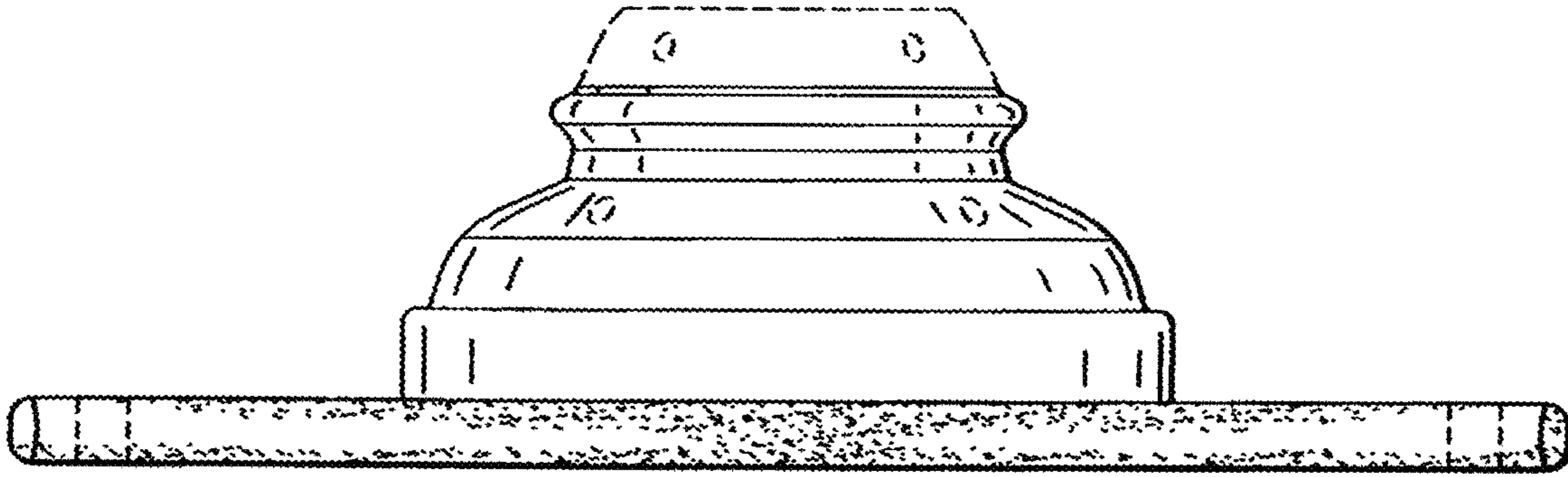


FIG. 5

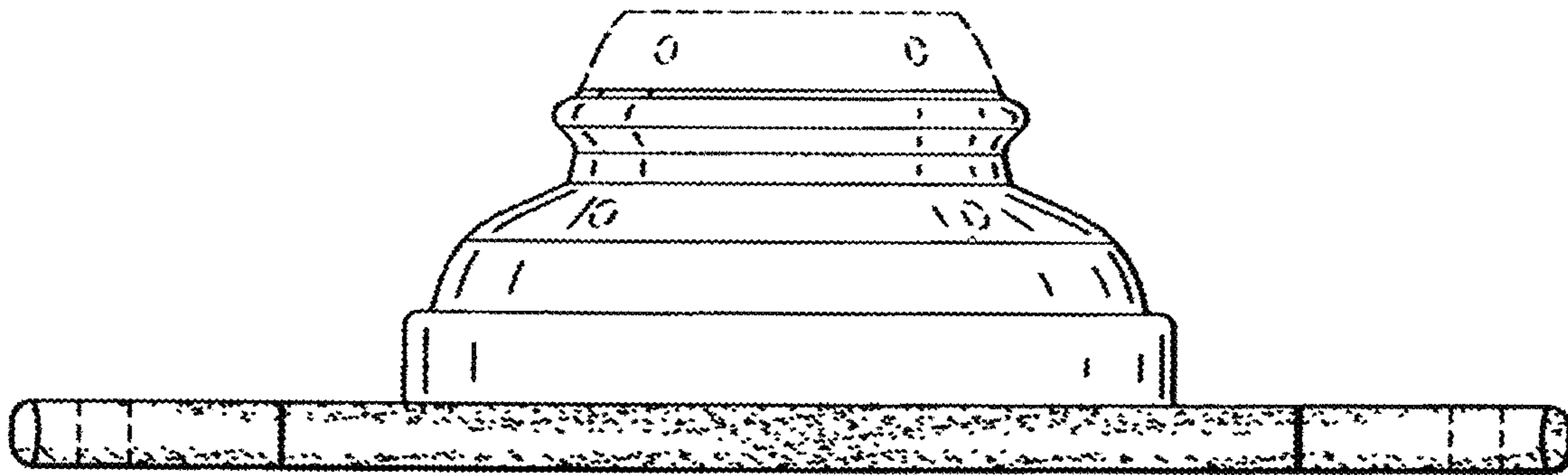


FIG. 6

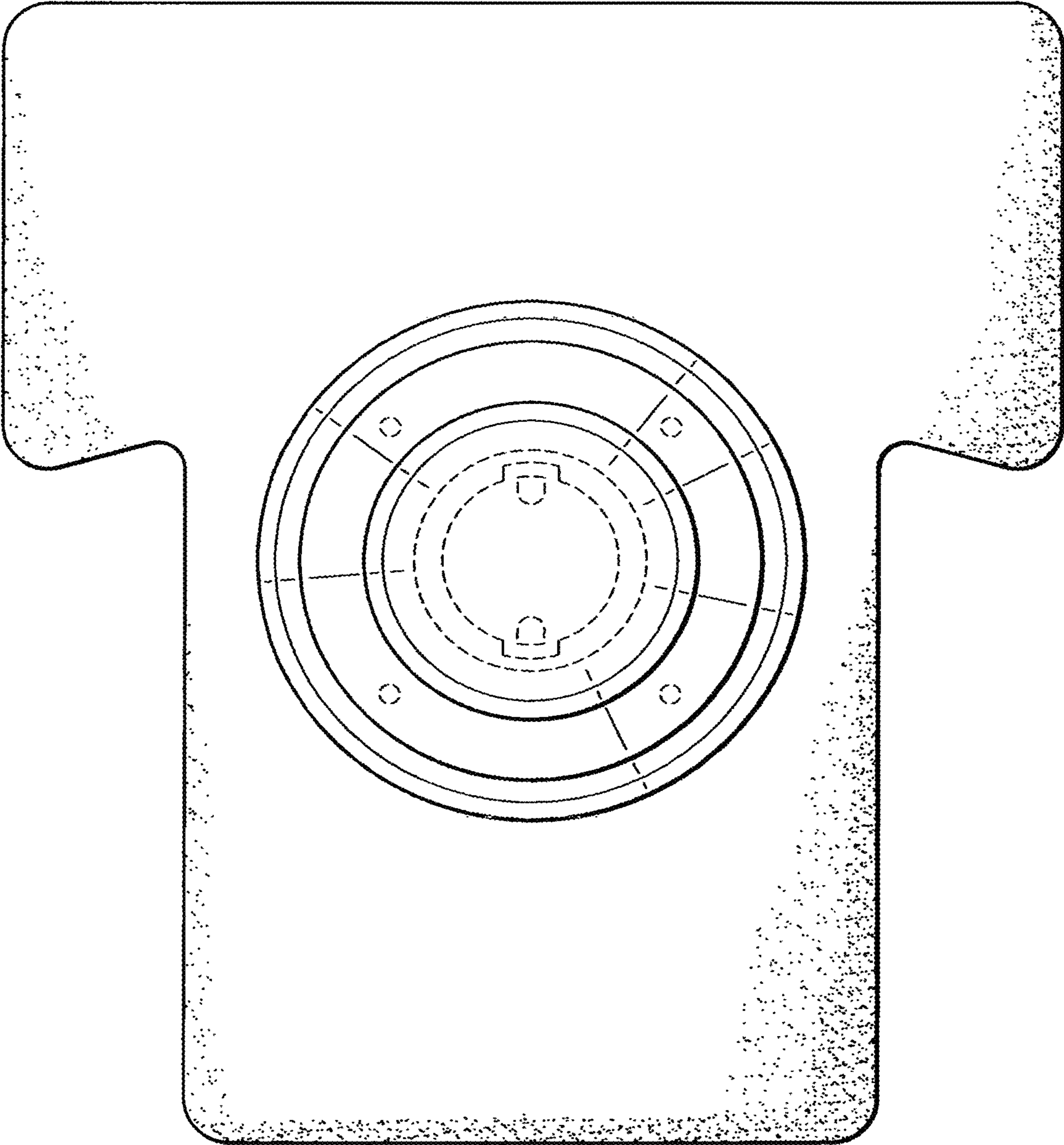


FIG. 7