



US00D949140S

(12) **United States Design Patent**
He

(10) **Patent No.:** **US D949,140 S**

(45) **Date of Patent:** **** Apr. 19, 2022**

- (54) **STAND**
- (71) Applicant: **Jiajia He**, Liuzhou (CN)
- (72) Inventor: **Jiajia He**, Liuzhou (CN)
- (**) Term: **15 Years**
- (21) Appl. No.: **29/726,924**
- (22) Filed: **Mar. 6, 2020**
- (30) **Foreign Application Priority Data**
 Aug. 14, 2019 (CN) 201930442107.5
- (51) **LOC (13) Cl.** **14-99**
- (52) **U.S. Cl.**
USPC **D14/253**; D14/447
- (58) **Field of Classification Search**
 USPC D14/251-253, 224, 224.1, 432-434, 447,
 D14/451, 452; D12/415, 426.1, 114, 223;
 D16/242, 244, 245; D10/74; D3/218;
 D13/108
 CPC B60R 11/00; B60R 11/02; B60R 11/0241;
 B60R 11/0252; B60R 2011/0003; B60R
 2011/0005; B60R 2011/0008; H04M
 1/04; H04B 1/3877; A45F 2200/0516;
 A45F 2200/0525; H05K 5/02; H05K
 5/0204; H05K 7/00; F16M 13/02; F16M
 13/022; F16M 11/00; F16M 11/04; F16M
 11/041; F16M 11/06
 See application file for complete search history.

- (56) **References Cited**
U.S. PATENT DOCUMENTS
 D669,085 S * 10/2012 Coberly D14/447
 D674,396 S * 1/2013 Yang D14/447
 8,424,830 B2 * 4/2013 Yang A47B 23/044
 248/459

- 8,640,864 B2 * 2/2014 Chen G06F 1/1626
 206/45.2
- D723,040 S * 2/2015 Kang D14/440
- D726,192 S * 4/2015 Massucco D14/440
- D730,913 S * 6/2015 Shao D14/440
- D743,967 S * 11/2015 Huang D14/440
- D755,796 S * 5/2016 Gibson D14/447
- D772,234 S * 11/2016 Massucco D14/440
- 9,730,345 B2 * 8/2017 Wu G06F 1/166
- D805,519 S * 12/2017 Diebel A45C 11/00
 D14/440
- D879,108 S * 3/2020 Fisk D14/447
- RE48,041 E * 6/2020 Wu F16M 11/041
- D912,679 S * 3/2021 He D14/447
- D914,689 S * 3/2021 Culver A47B 23/044
 D14/447
- 2013/0264459 A1 * 10/2013 McCosh H04M 1/04
 248/688

(Continued)

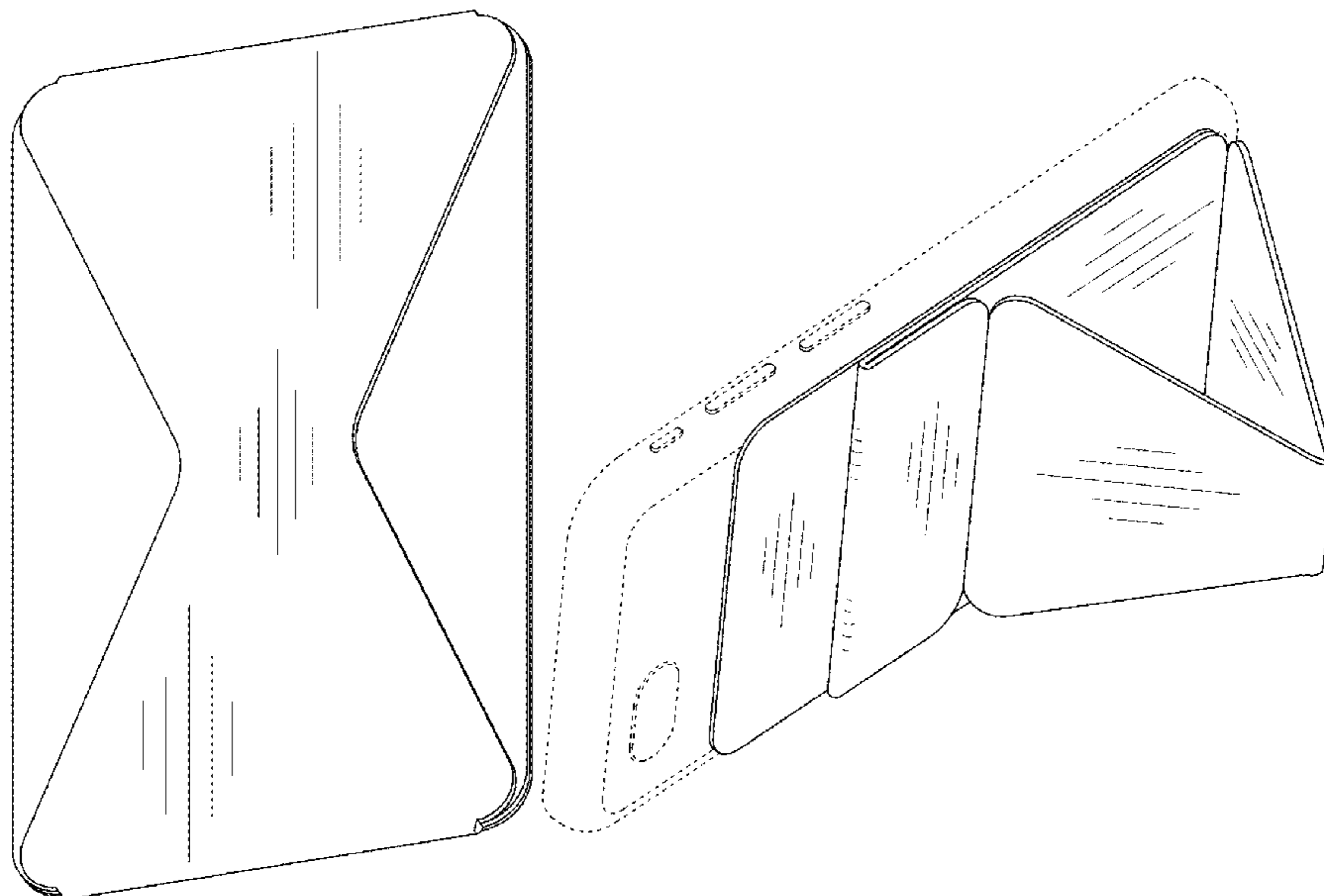
Primary Examiner — Rebekah A Caruso
(74) *Attorney, Agent, or Firm* — IPro, PLLC

(57) **CLAIM**
The ornamental design for a stand, as shown and described.

DESCRIPTION

FIG. 1 is a perspective view of a stand embodying the new design;
FIG. 2 is a front view thereof;
FIG. 3 is a back view thereof;
FIG. 4 is a side view thereof;
FIG. 5 is another side view thereof;
FIG. 6 is a top view thereof;
FIG. 7 is a bottom view thereof;
FIG. 8 is a perspective view of the stand in use;
FIG. 9 is another perspective view of the stand in use;
FIG. 10 is another perspective view of the stand in use; and,
FIG. 11 is another perspective view of the stand in use.
In FIGS. 8-11, the broken lines depict environmental structure that forms no part of the claimed design.

1 Claim, 11 Drawing Sheets



(56)

References Cited

U.S. PATENT DOCUMENTS

2013/0284866 A1* 10/2013 Lee F16M 11/38
248/188.6
2018/0078068 A1* 3/2018 Cronin A47B 23/042

* cited by examiner

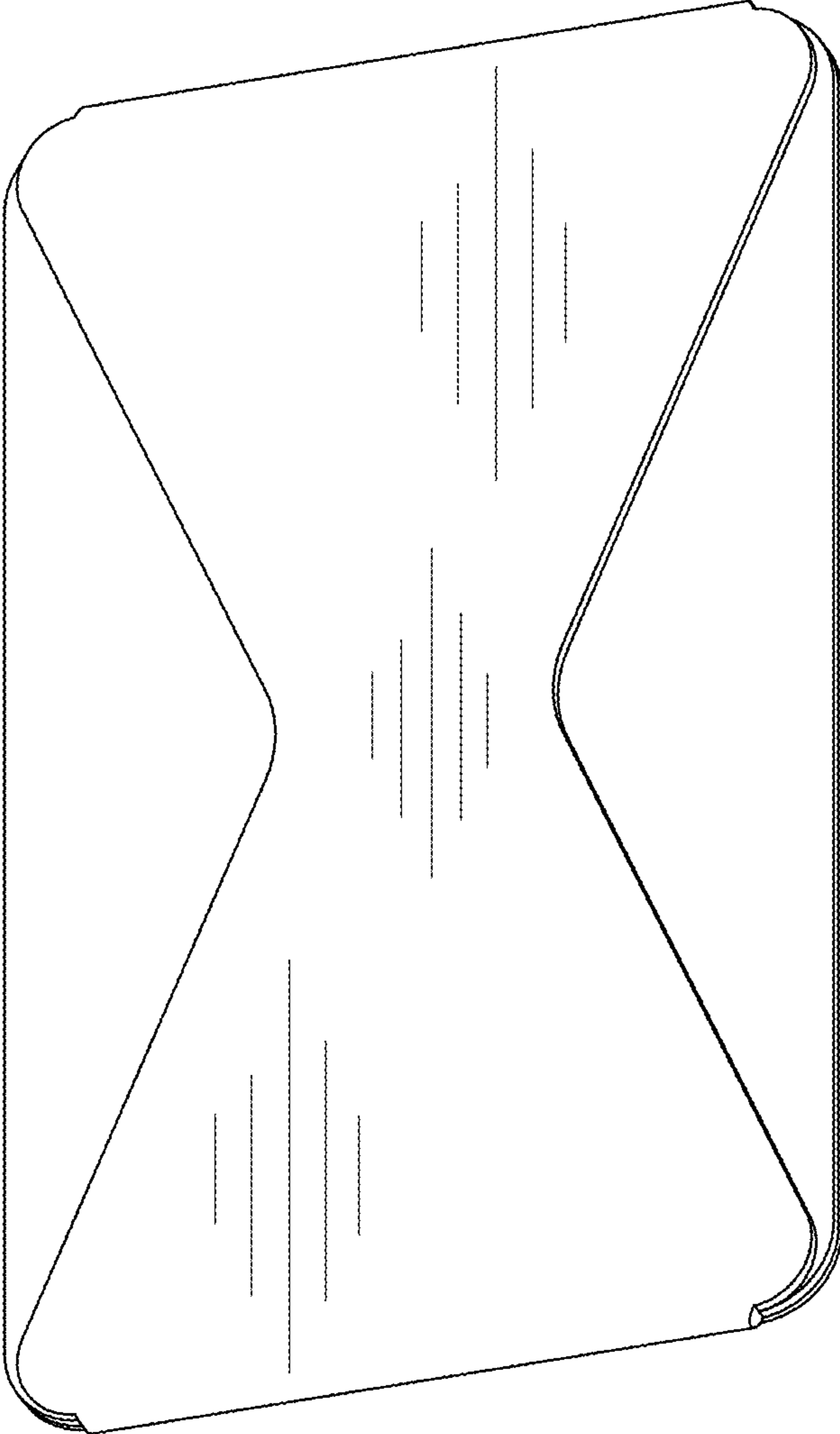


FIG. 1

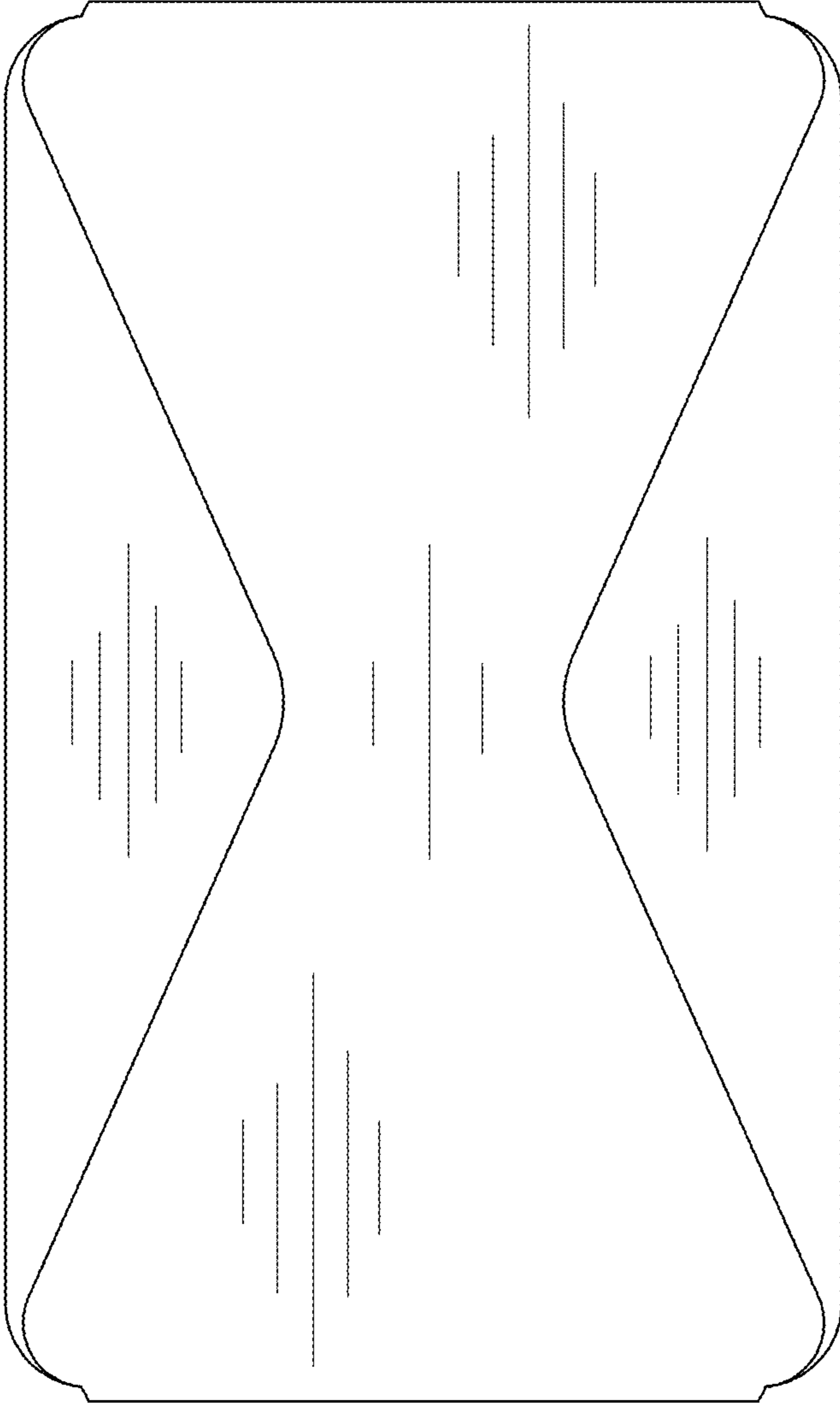


FIG. 2

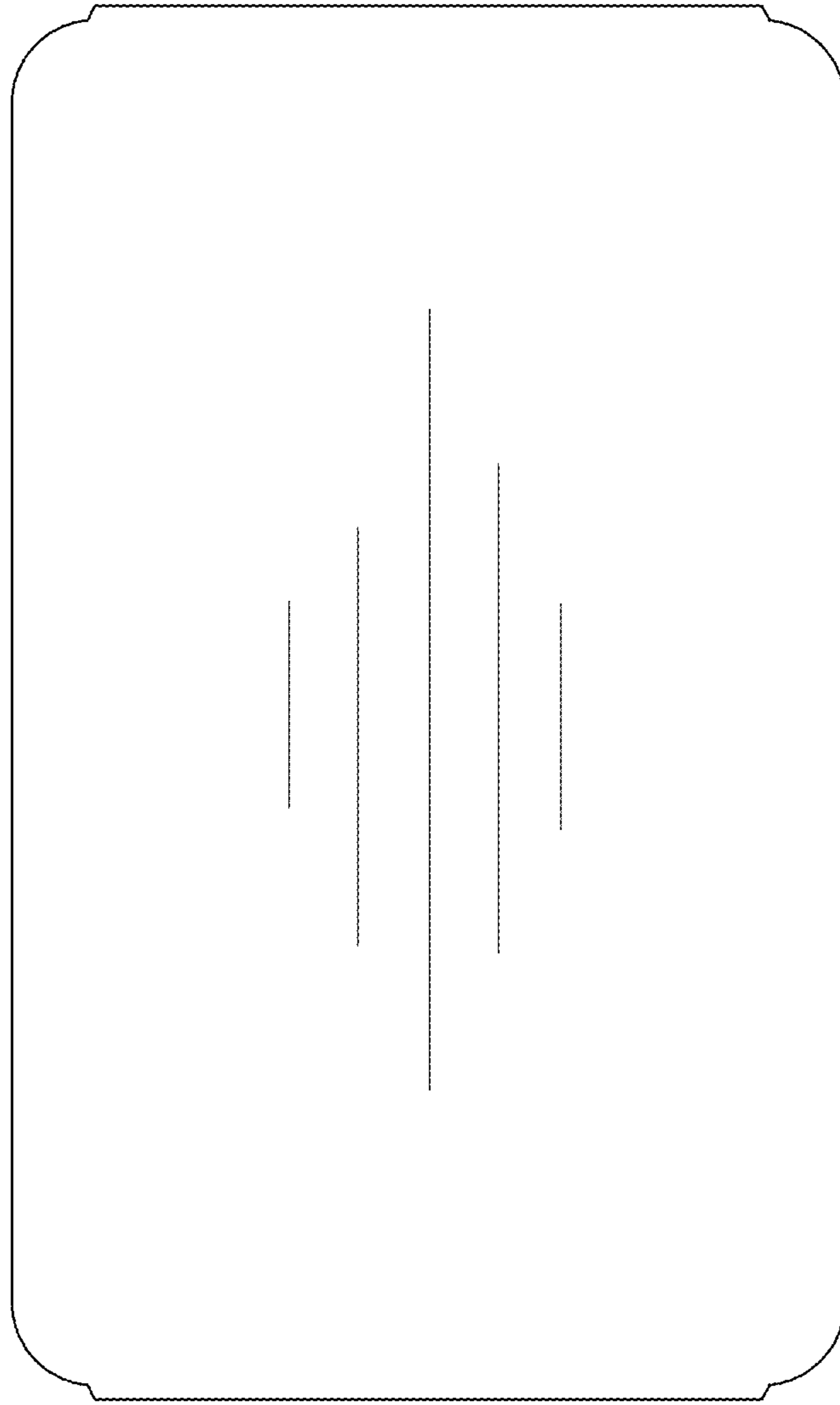


FIG. 3

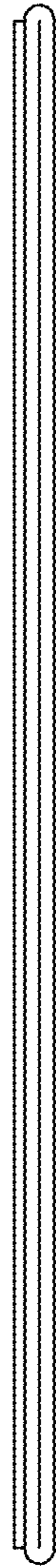


FIG. 4

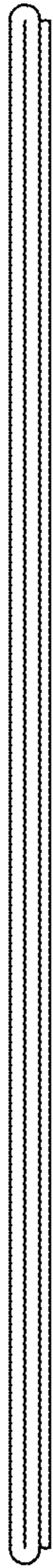


FIG. 5

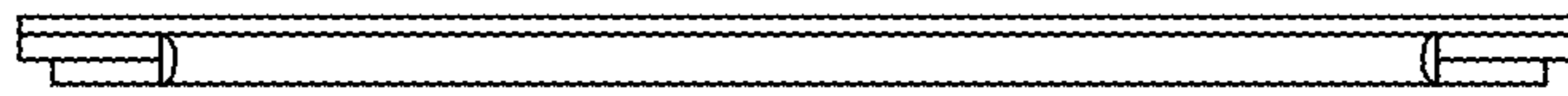


FIG. 6

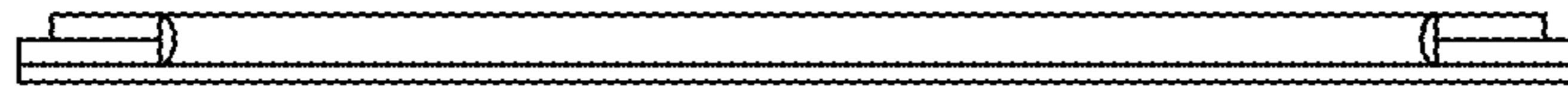


FIG. 7

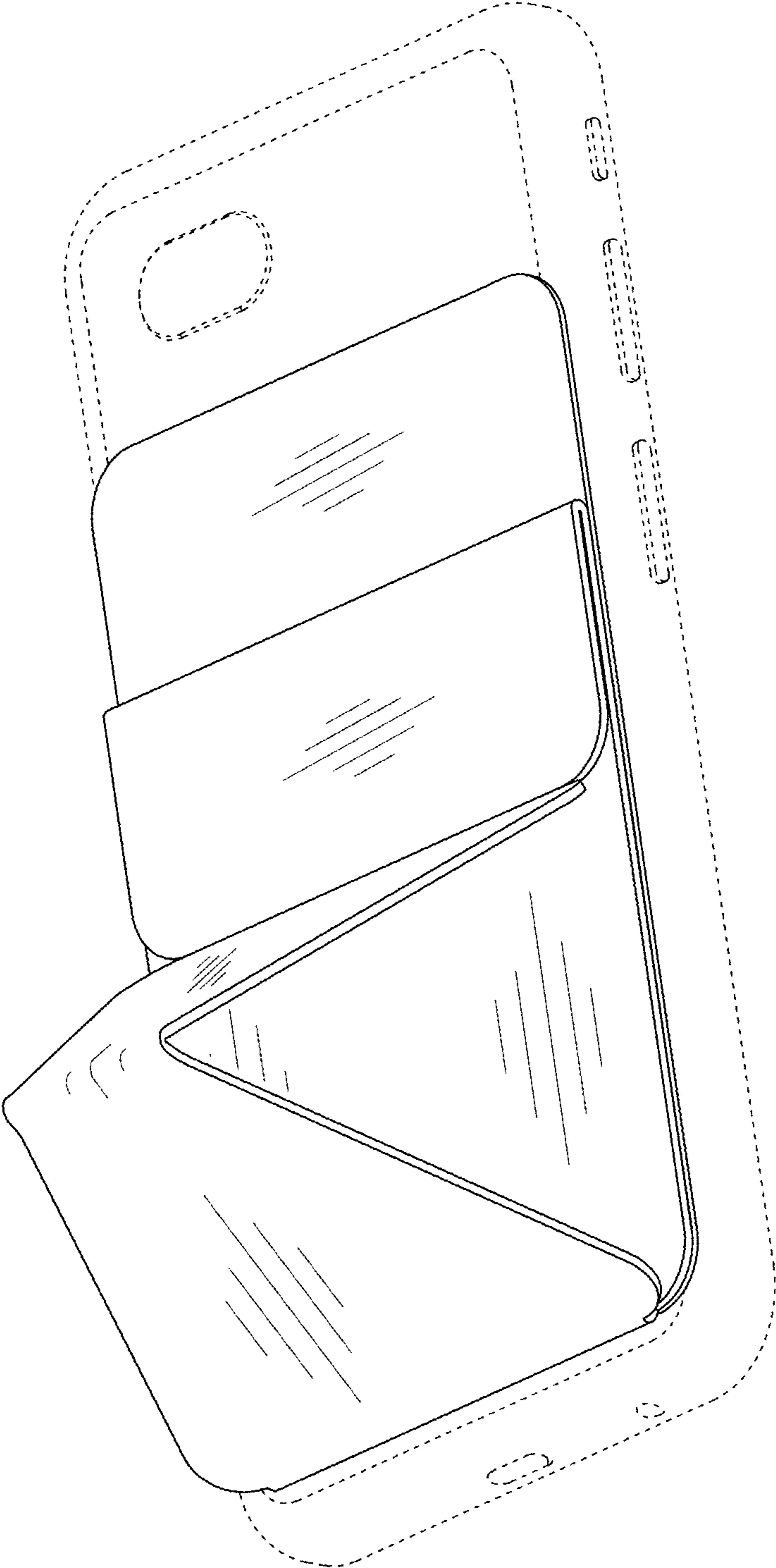


FIG. 8

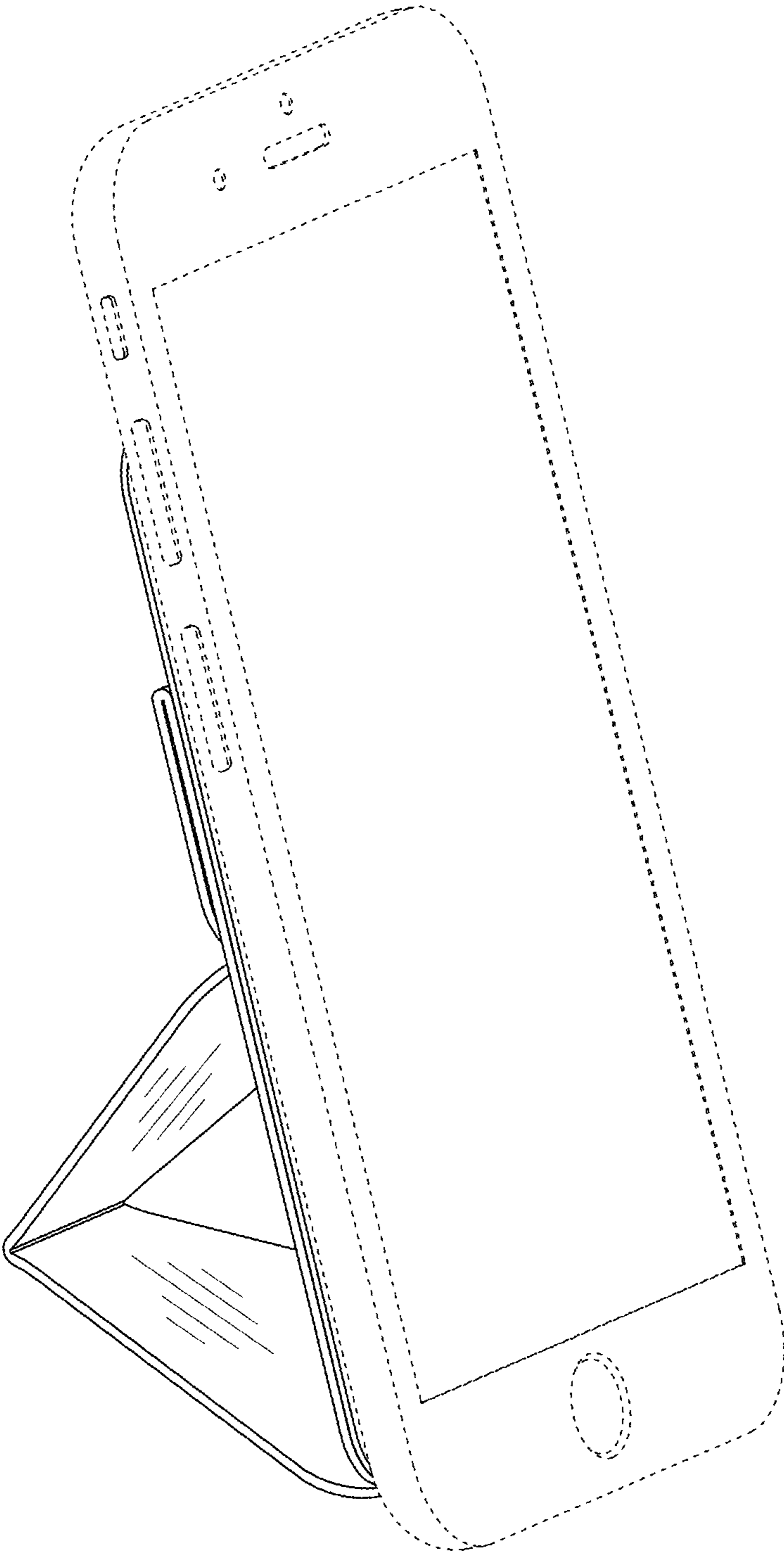


FIG. 9

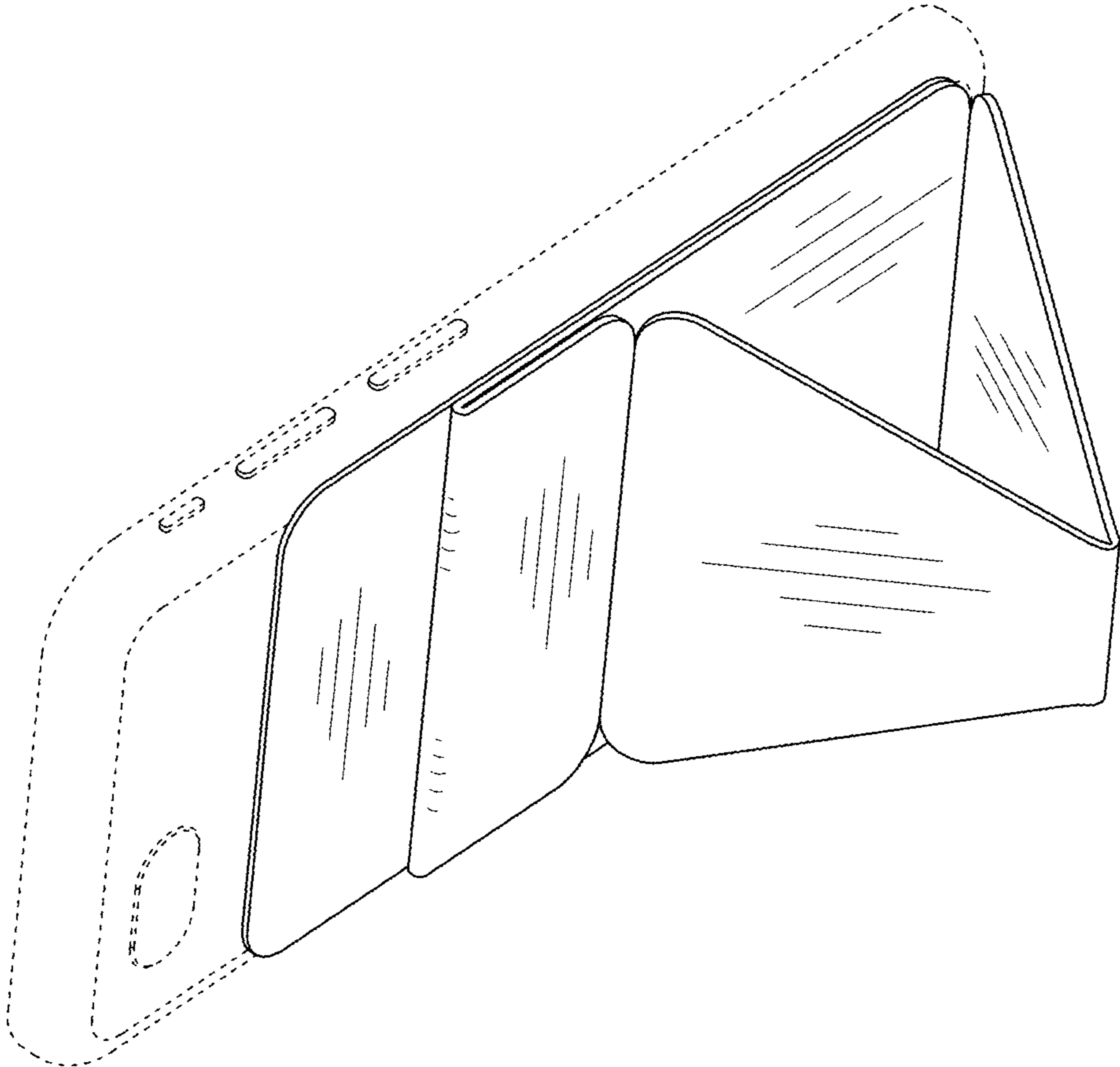


FIG. 10

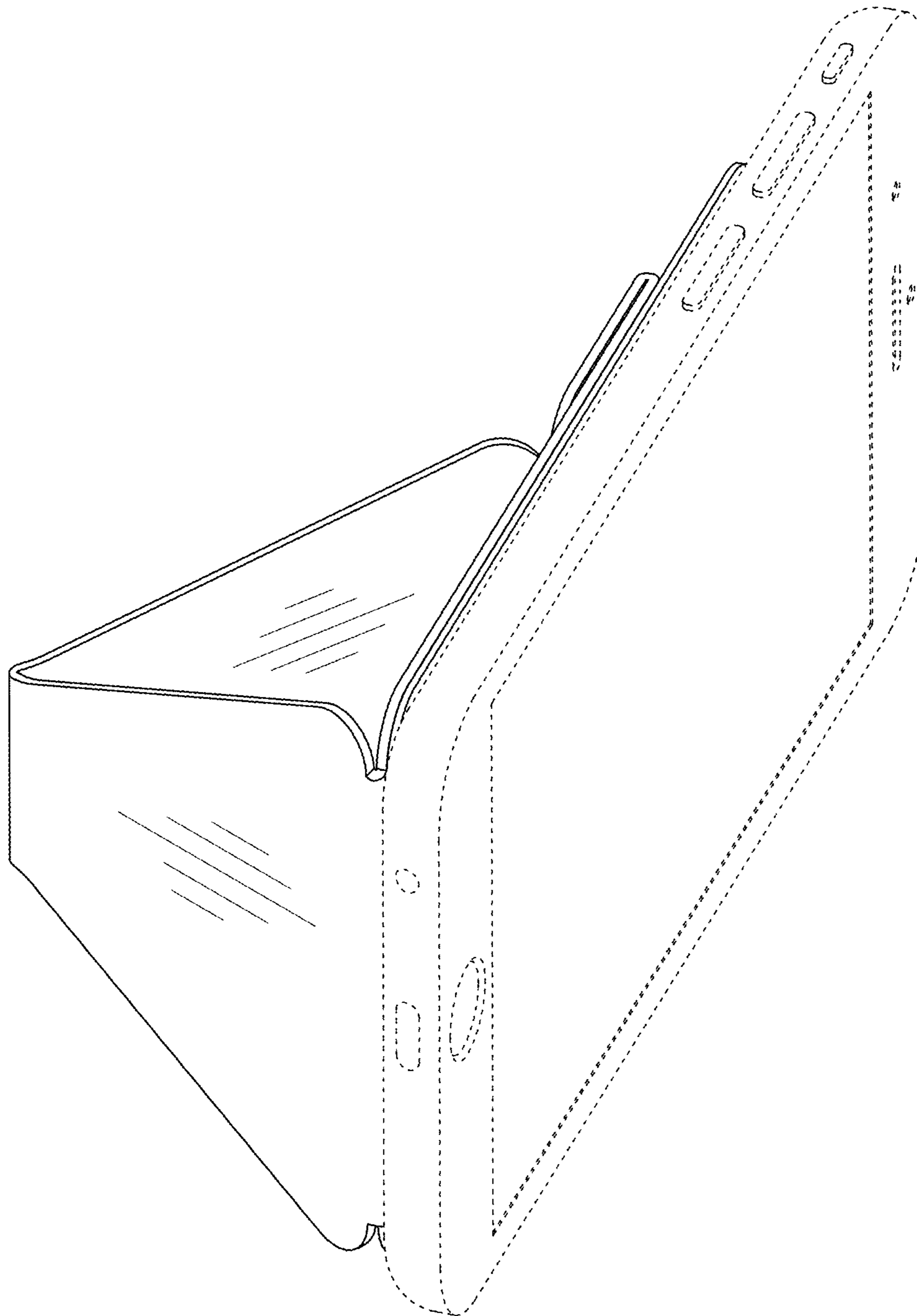


FIG. 11