



US00D949133S

(12) **United States Design Patent** (10) **Patent No.:** **US D949,133 S**
Laffon de Mazieres et al. (45) **Date of Patent:** **** Apr. 19, 2022**

(54) **PORTABLE INPUT/OUTPUT DEVICE**

(56) **References Cited**

(71) Applicant: **Amazon Technologies, Inc.**, Seattle, WA (US)

U.S. PATENT DOCUMENTS

(72) Inventors: **Emmanuel J M Laffon de Mazieres**, Burlingame, CA (US); **Giles David Matthew McWilliam**, San Francisco, CA (US); **Marc Rene Walliser**, San Francisco, CA (US)

D306,519 S † 3/1990 Nakata D3/206
D339,806 S † 9/1993 Grinkus D14/217
D520,502 S † 5/2006 Xu D14/356
D531,178 S † 10/2006 Lee D14/367

(Continued)

(73) Assignee: **Amazon Technologies, Inc.**, Seattle, WA (US)

OTHER PUBLICATIONS

(**) Term: **15 Years**

Echo Auto—Hands-free Alexa in your car with your phone, Amazon online, no post date, URL: <https://www.amazon.com/Echo-Auto--Hands-free-Alexa-in-your-car-with-your-phone/dp/B07VTK654B>, retrieved Dec. 7, 2021.*

(21) Appl. No.: **29/747,556**

(Continued)

(22) Filed: **Aug. 24, 2020**

Primary Examiner — Rebekah A Caruso

(74) *Attorney, Agent, or Firm* — Lee & Hayes, P.C.

Related U.S. Application Data

(62) Division of application No. 29/625,802, filed on Nov. 13, 2017, now Pat. No. Des. 900,795.

(57) **CLAIM**

(51) **LOC (13) Cl.** **14-03**

The ornamental design for a portable input/output device, as shown and described.

(52) **U.S. Cl.**
USPC **D14/240**; D14/203.3; D14/496;
D14/356

DESCRIPTION

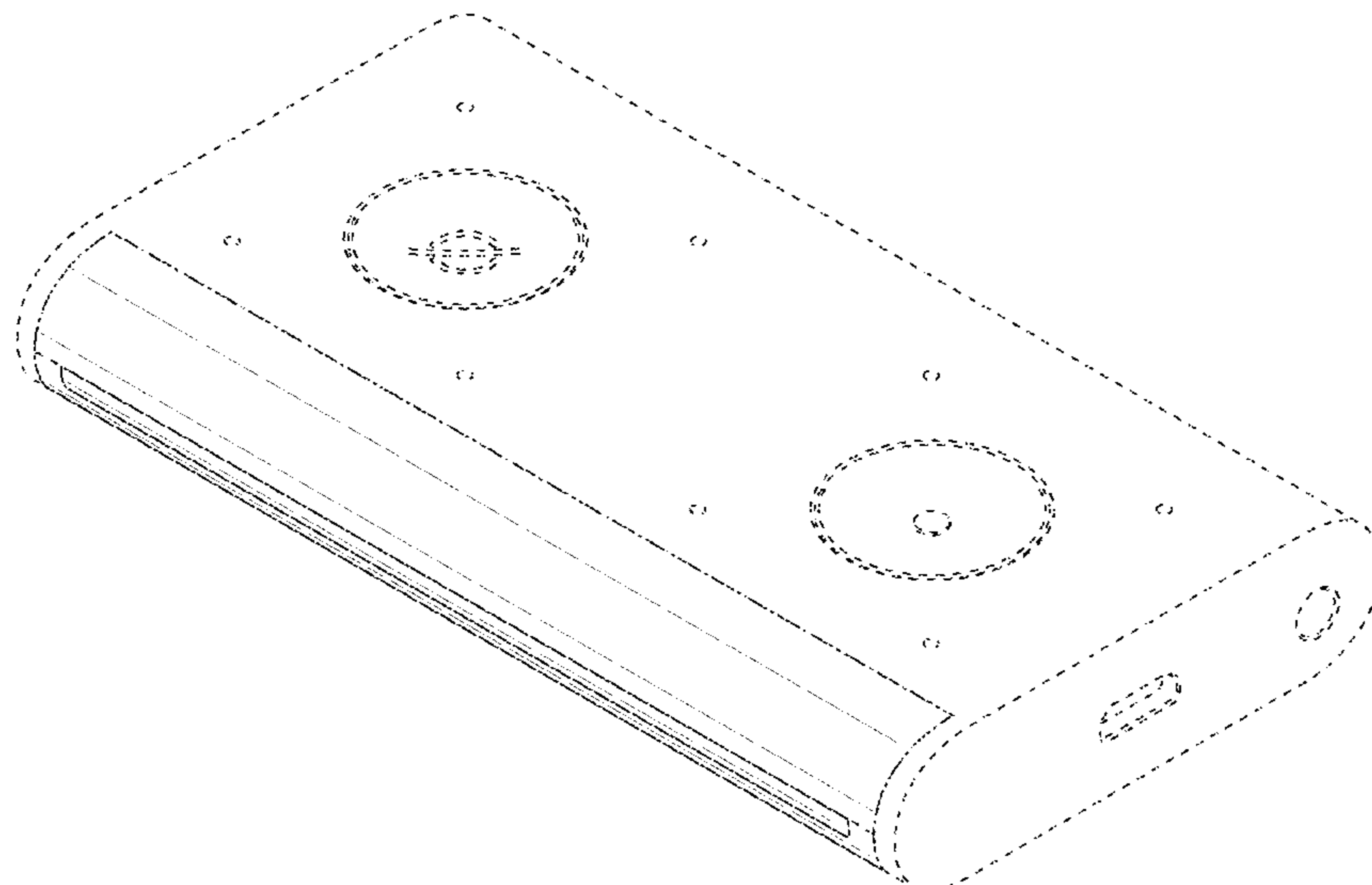
(58) **Field of Classification Search**
USPC D14/125, 129, 137, 138 R, 138 AA, 140, D14/142, 149, 150, 155, 159, 167, 168, D14/169–171, 172, 188, 194–196, D14/203.1–203.8, 204, 209.1, 210, 216, D14/217, 221, 238.1, 239, 240, 242, 299, D14/314, 348, 349, 356–358, 432, 496, D14/507, 509, 433–437, 383–386, D14/480.1–480.7; D10/104.1, 106.1, D10/106.2, 106.3; D21/513; D13/103, D13/107, 108, 133, 146, 147
CPC H04R 1/345; H04R 1/02; H04R 1/025; H04R 1/028; G06F 3/167; G06F 17/00; H04L 65/1059

FIG. 1 is a top, front, right-side perspective view of a portable input/output device;
FIG. 2 is a front view thereof;
FIG. 3 is a back view thereof;
FIG. 4 is a right-side view thereof;
FIG. 5 is a left-side view thereof;
FIG. 6 is a top view thereof; and,
FIG. 7 is a bottom view thereof.

The dashed broken lines depict portions of the portable input/output device that form no part of the claimed design. The dot-dashed broken lines represent a boundary of the claimed portable input/output device and form no part of the claimed design.

See application file for complete search history.

1 Claim, 7 Drawing Sheets



(56)

References Cited

U.S. PATENT DOCUMENTS

D539,814 S † 4/2007 Andre D14/203.3
 D574,014 S † 7/2008 Dai D14/496
 D577,010 S † 9/2008 Wilson D14/225
 D585,077 S † 1/2009 Sheba D14/434
 D586,740 S † 2/2009 Song D13/103
 D590,336 S † 4/2009 Tatehata D13/103
 D593,940 S † 6/2009 Nomi D13/103
 D632,283 S † 2/2011 Cheng D14/225
 D650,738 S † 12/2011 Leung D13/107
 D656,496 S † 3/2012 Andre D14/341
 D665,734 S † 8/2012 Fitch D13/107
 D678,191 S † 3/2013 Fitch D13/108
 D684,148 S † 6/2013 Sei D14/240
 D694,708 S † 12/2013 Kim D13/108
 D697,501 S † 1/2014 Fargeau D14/240
 D698,754 S † 2/2014 Vuillet D13/168
 D708,129 S † 7/2014 Houghton D13/103
 D715,760 S † 10/2014 Kim D14/188
 D717,243 S † 11/2014 Liu D13/103
 D720,755 S † 1/2015 Nokuo D14/433
 D732,023 S † 6/2015 Asao D14/358
 D737,244 S † 8/2015 Kim D14/214
 D754,131 S † 4/2016 Shim D14/435
 D763,188 S † 8/2016 Park D13/108
 D774,514 S † 12/2016 Turksu D14/480.5
 D787,443 S † 5/2017 Chiang D13/110
 D788,751 S † 6/2017 Pejaudier D14/223
 D792,409 S † 7/2017 Shim D14/435
 D806,089 S † 12/2017 Shim D14/480.5
 D812,000 S † 3/2018 Li D13/108
 D829,719 S † 10/2018 Shim D14/435
 D830,358 S † 10/2018 Wietzke D14/358
 D835,338 S † 12/2018 Oligschlaeger D27/186
 D836,543 S † 12/2018 Sun D13/108
 D837,790 S † 1/2019 Wu D14/435
 D839,823 S † 2/2019 Lemelson D13/103
 D853,958 S † 7/2019 Lei D13/108
 D867,280 S † 11/2019 Chen D13/103
 D875,036 S † 2/2020 Gan D13/103
 D900,795 S * 11/2020 Laffon de Mazieres D14/240

D903,588 S * 12/2020 Shoemake D13/108
 D905,053 S * 12/2020 Liu D14/356
 D908,610 S * 1/2021 Woo D13/103
 2009/0009953 A1 † 1/2009 Lin G06F 1/1632
 361/679.33
 2011/0254509 A1 † 10/2011 Boczer H01M 4/0404
 320/127

OTHER PUBLICATIONS

Echo Auto—Hands-free Alexa in your car with your phone, Amazon online, no post date, URL: <https://www.amazon.com/echo-auto-add-alexa-your/dp/B07vtk654b>, retrieved Jun. 11, 2020. †
 “The Best USB-C and USB-A Card Readers for Transferring Images on the Fly,” Satechi Aluminum Type-C Micro/SD Card Reader pictured therein, post date Nov. 15, 2017, URL: <https://www.bestproducts.com/tech/gadgets/g3456/car-reader-reviews/>, retrieved Apr. 10, 2020. †
 Canadian Office Action dated Jan. 31, 2019, for Carian Design Application No. 180891, a counterpart foreign application for the Design U.S. Appl. No. 29/625,802, 2 pages.
 Carte, “The Best USB-C and USB-A Card Readers for Transferring Images on the Fly”, retrieved on Apr. 10, 2020 at <<<https://www.bestproducts.com/tech/gadgets/g2456/car-reader-reviews/>>>, Nov. 2017, 3 pgs.
 Chinese Office Action dated Aug. 30, 2018 for Chinese design application No. 201830218194., a counterpart foreign application of design U.S. Appl. No. 29/625,802, 2 pages.
 Indian Office Action dated May 15, 2018 for Indian design application No. 305192, a counterpart foreign application of design U.S. Appl. No. 29/625,802, 2 pages.
 Korean Office Action dated Nov. 13, 2018, for Korean Design Application No. 30-2018-19657, a counterpart foreign application for the Design U.S. Appl. No. 29/625,802.
 Office Action for U.S. Appl. No. 29/625,802, dated Apr. 15, 2020, Mazieres, “Electronic Device”, 6 Pages.
 Office Action for U.S. Appl. No. 29/625,802, Mazieres, “Electronic Device”, 5 Pages.

* cited by examiner

† imported from a related application

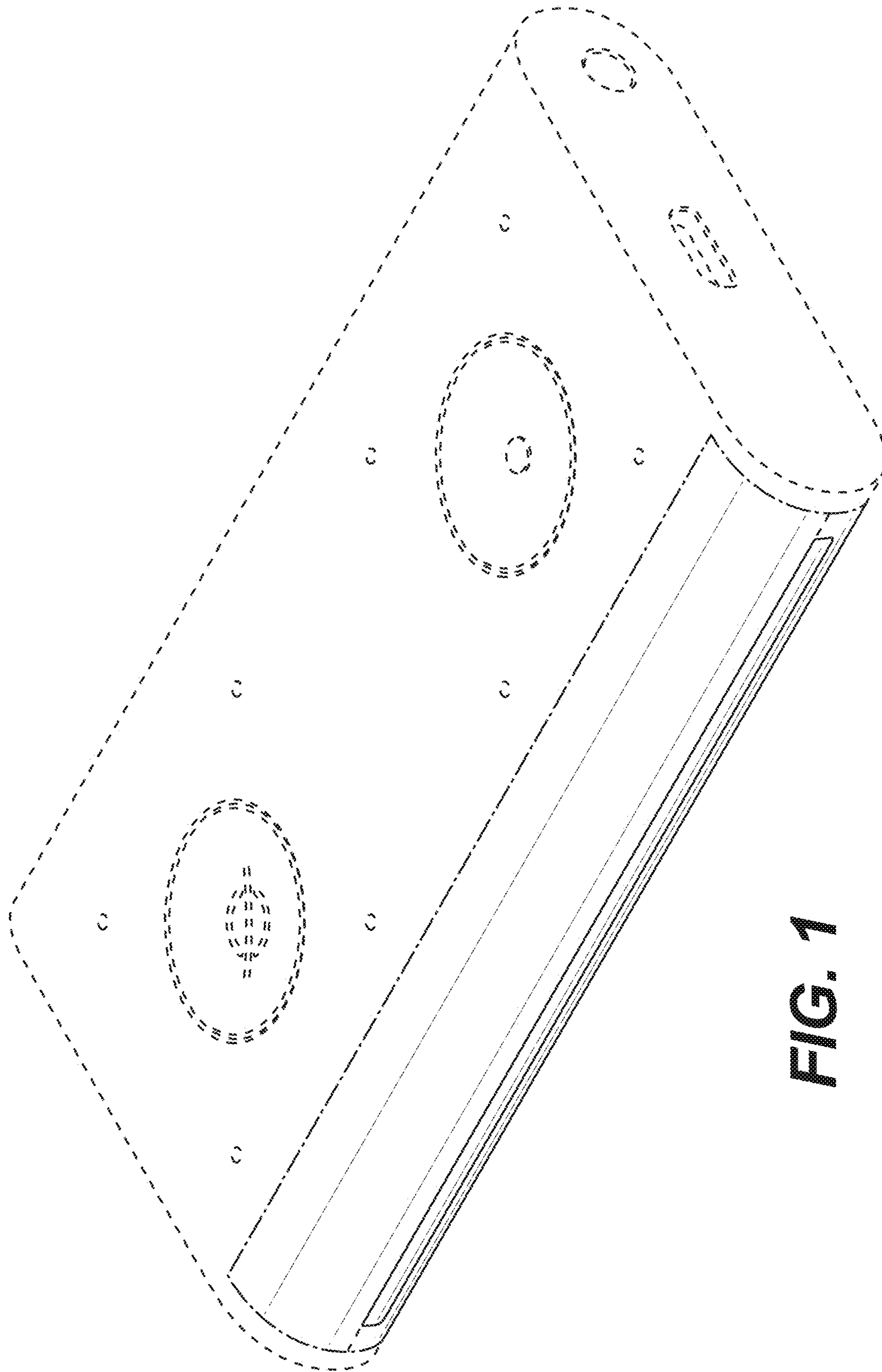


FIG. 1

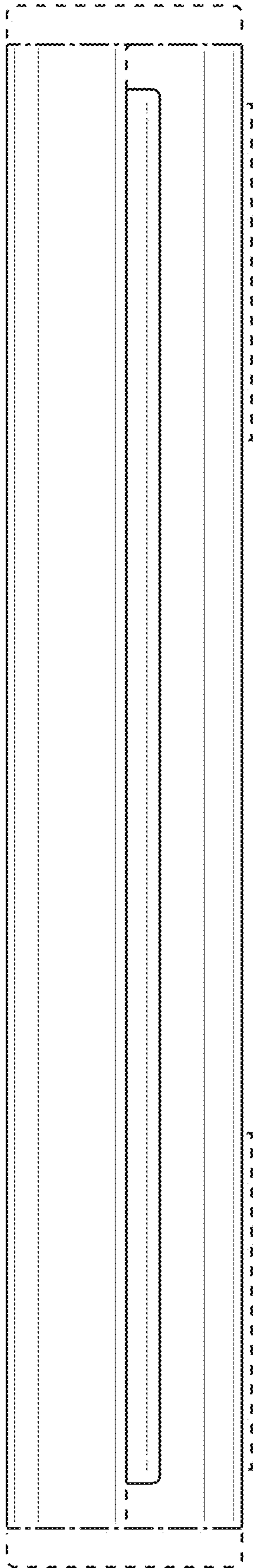


FIG. 2

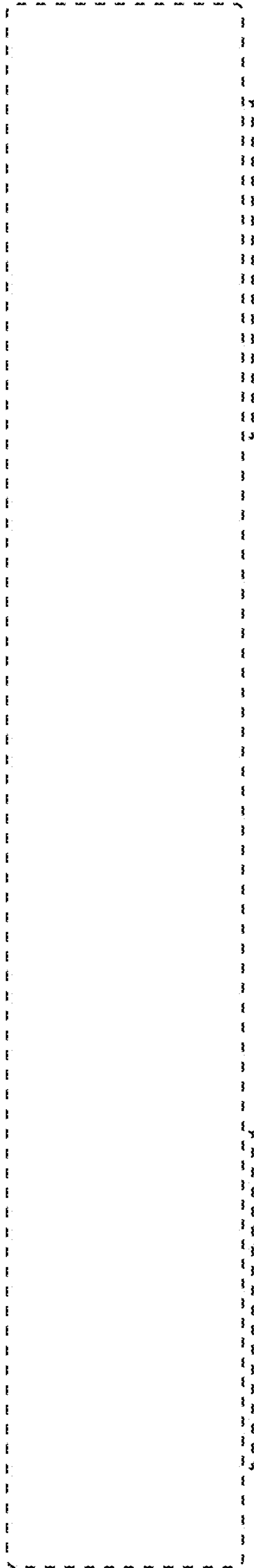


FIG. 3

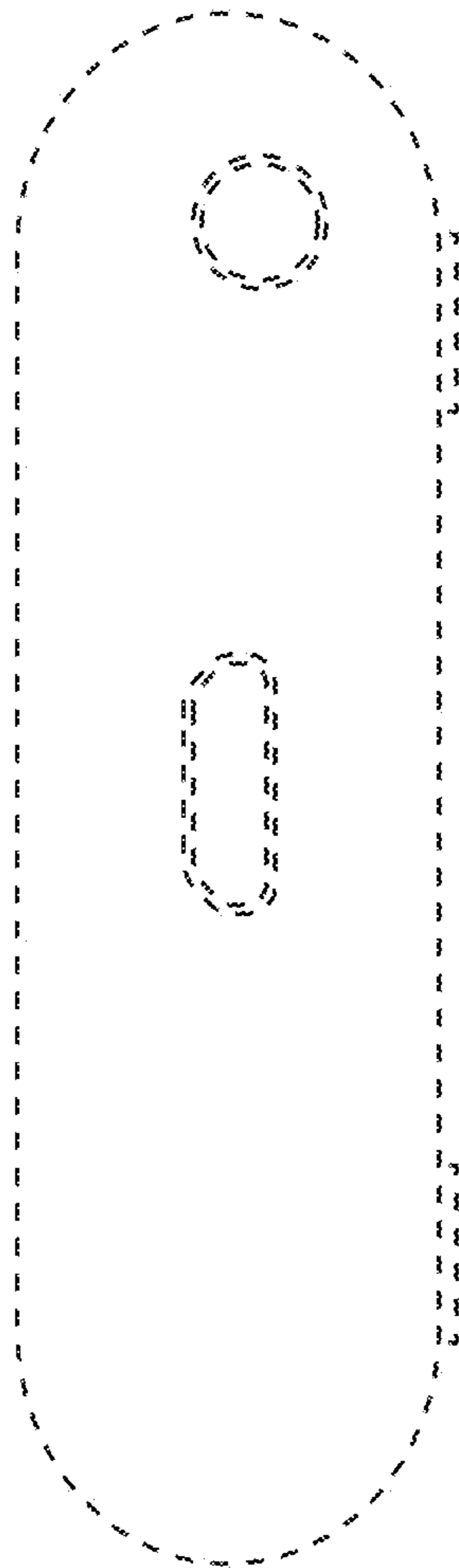


FIG. 4

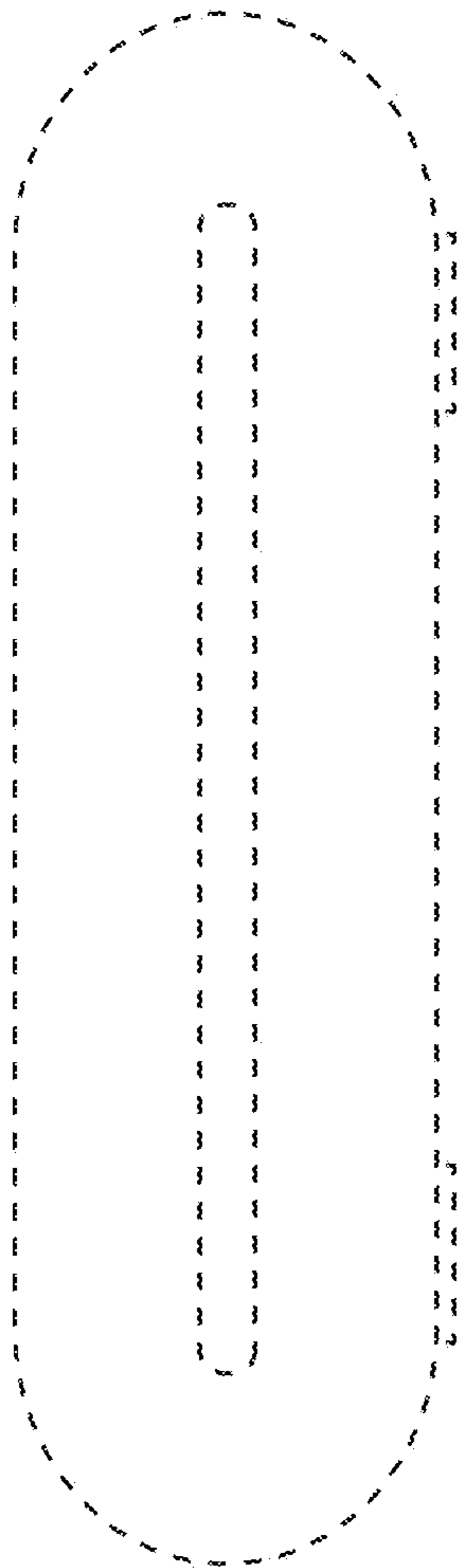


FIG. 5

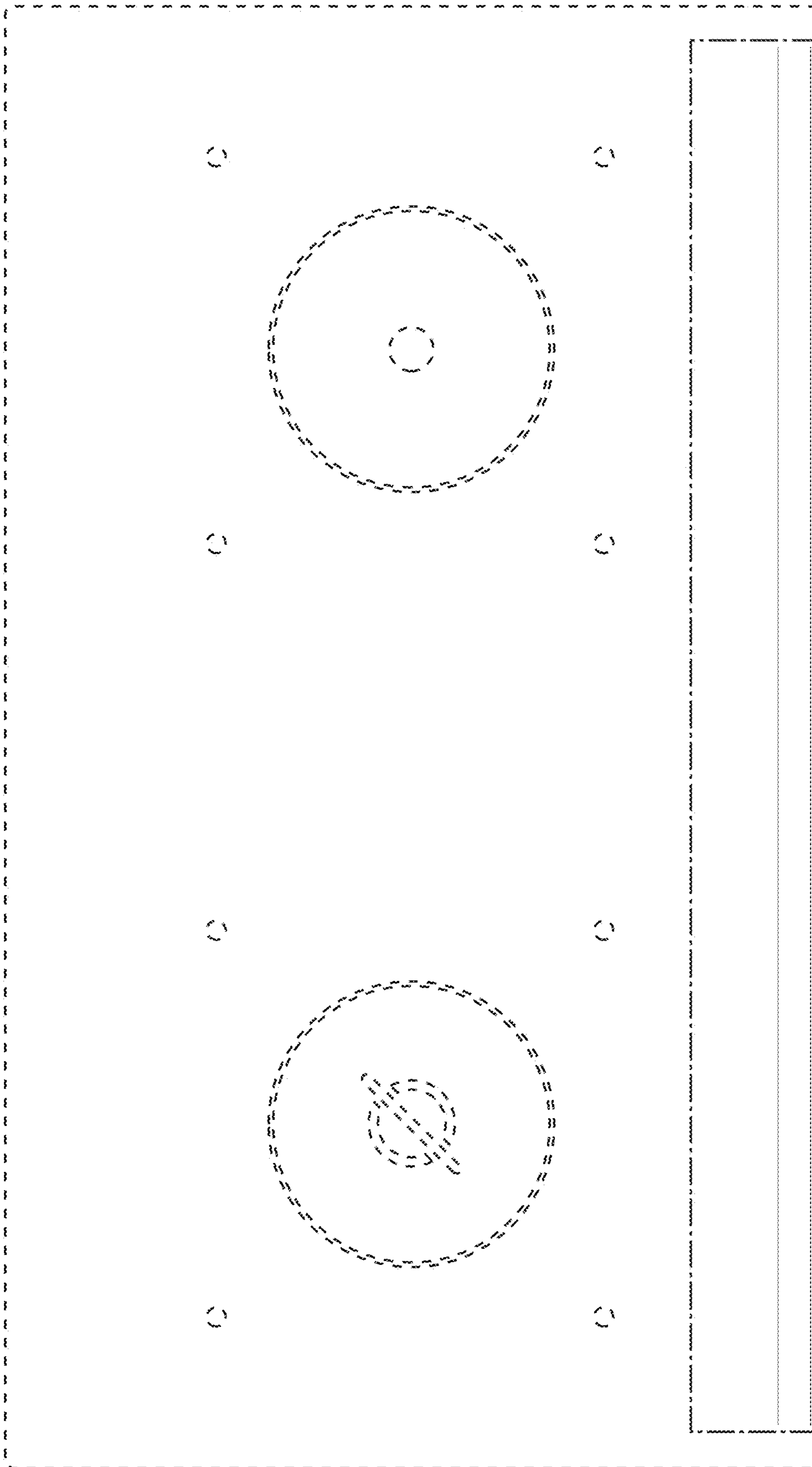


FIG. 6

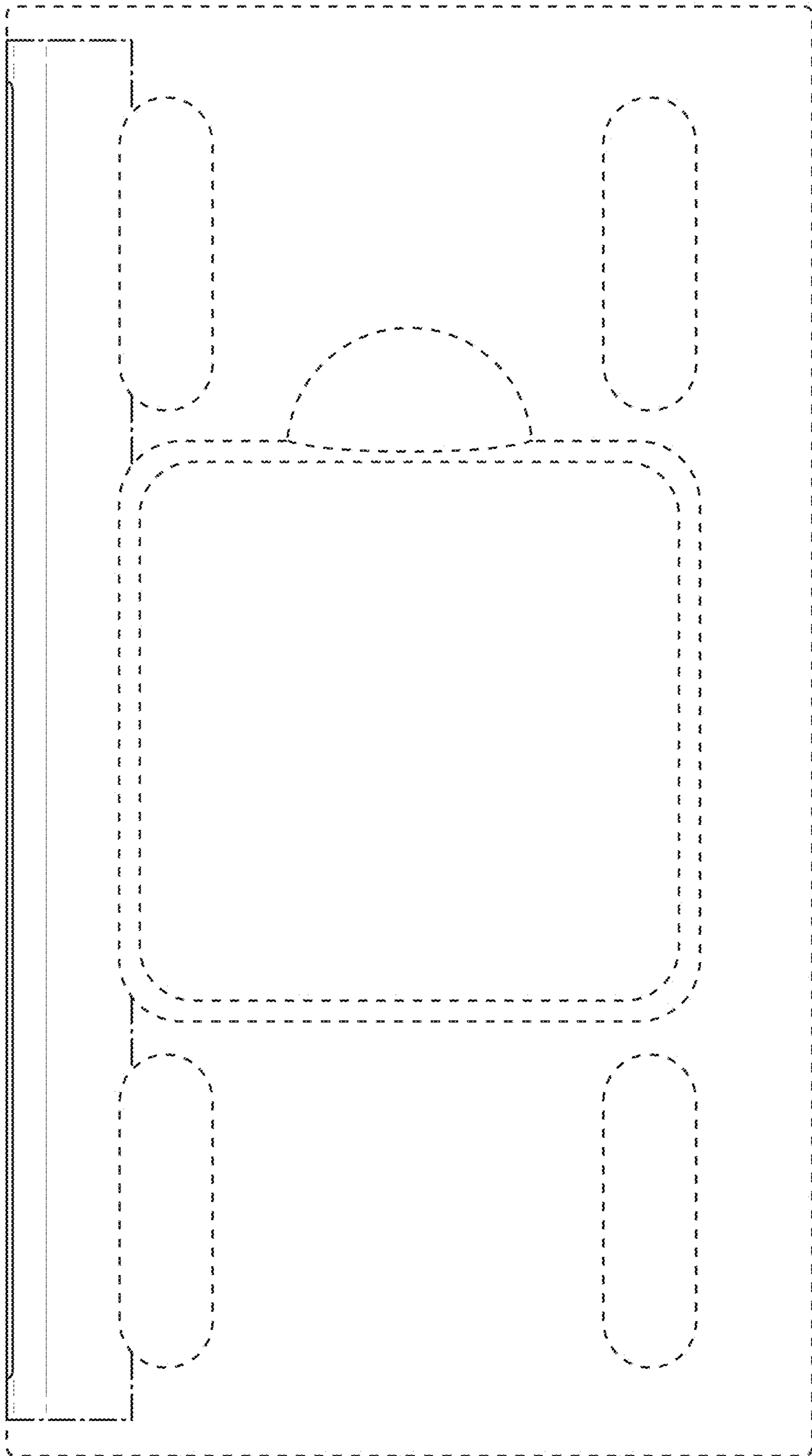


FIG. 7