



US00D949132S

(12) **United States Design Patent** (10) **Patent No.:** **US D949,132 S**  
**Cong et al.** (45) **Date of Patent:** **\*\* Apr. 19, 2022**

(54) **PLANAR ANTENNA**  
(71) Applicant: **Galvani Bioelectronics Limited**,  
Hertfordshire (GB)  
(72) Inventors: **Peng Cong**, Burlingame, CA (US);  
**Damiano Patron**, South San Francisco,  
CA (US); **Stephen O’Driscoll**, South  
San Francisco, CA (US)  
(73) Assignee: **Galvani Bioelectronics Limited**,  
Hertfordshire (GB)

D709,483 S \* 7/2014 Forster ..... D14/230  
D791,745 S \* 7/2017 Gosalia ..... D14/230  
D826,910 S \* 8/2018 Zhao ..... D14/230  
D828,341 S \* 9/2018 Chang ..... D14/230  
D838,261 S \* 1/2019 He ..... D14/230  
D850,426 S \* 6/2019 He ..... D14/230  
D856,983 S \* 8/2019 Zheng ..... D14/230  
D859,375 S \* 9/2019 Gosalia ..... D14/230  
D864,926 S \* 10/2019 Chen ..... D14/230  
2008/0042905 A1 \* 2/2008 Moon ..... H01Q 5/25  
343/700 MS  
2010/0060526 A1 \* 3/2010 Cheng ..... H01Q 9/285  
343/700 MS  
2011/0074637 A1 \* 3/2011 Sotoma ..... H01Q 9/0421  
343/700 MS

(\*\*) Term: **15 Years**

(Continued)

(21) Appl. No.: **29/788,078**

**FOREIGN PATENT DOCUMENTS**

(22) Filed: **Mar. 9, 2021**

CN 305510107 \* 9/2018  
CN 306647593 \* 6/2021

**Related U.S. Application Data**

(62) Division of application No. 29/664,370, filed on Sep.  
24, 2018, now Pat. No. Des. 916,688.

*Primary Examiner* — John R Yeh

(51) **LOC (13) Cl.** ..... **14-03**

(52) **U.S. Cl.**

USPC ..... **D14/230**

(58) **Field of Classification Search**

USPC ..... D14/230

CPC .. H01Q 1/12; H01Q 9/28; H01Q 1/40; H01Q  
1/38; H01Q 9/16

See application file for complete search history.

*Attorney, Agent, or Firm* — Patterson Thuent  
Pederson, P.A.

(57) **CLAIM**

The ornamental design for planar antenna, as shown and  
described.

**DESCRIPTION**

FIG. 1 is a perspective view of a planar antenna showing the  
claimed design;

FIG. 2 is a top view thereof;

FIG. 3 is a bottom view thereof;

FIG. 4 is a right side view thereof;

FIG. 5 is a left side view thereof;

FIG. 6 is a front view thereof; and,

FIG. 7 is a rear view thereof.

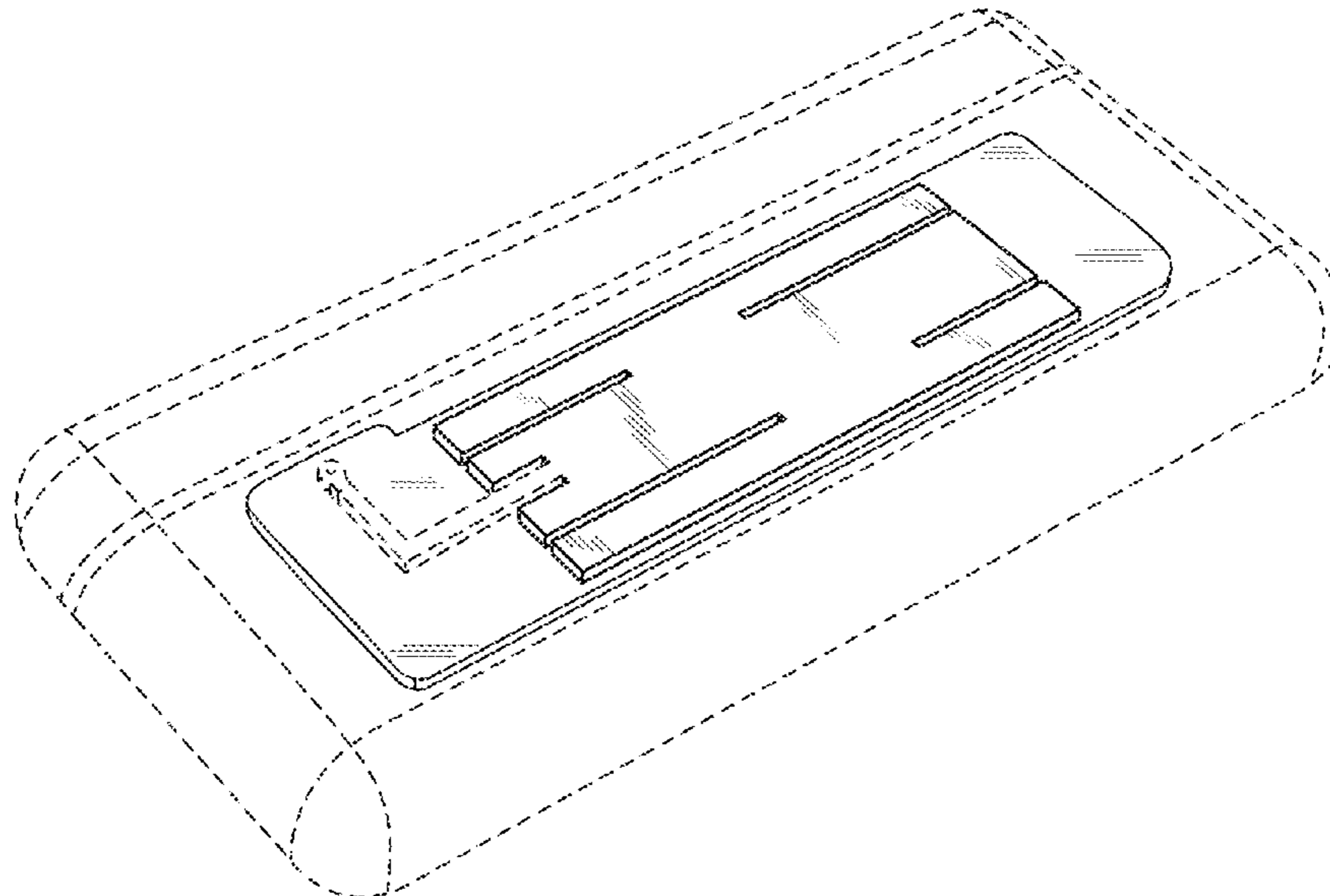
The broken lines illustrate environment and portions of the  
antenna that form no part of the claimed design.

(56) **References Cited**

**U.S. PATENT DOCUMENTS**

D515,075 S \* 2/2006 Kusanagi ..... D14/230  
7,782,260 B2 \* 8/2010 Tsai ..... H01Q 1/38  
343/700 MS  
8,264,418 B2 \* 9/2012 Huang ..... H01Q 9/065  
343/793  
8,471,769 B2 \* 6/2013 Wolf ..... H01Q 9/285  
343/700 MS

**1 Claim, 5 Drawing Sheets**



(56)

**References Cited**

U.S. PATENT DOCUMENTS

2013/0120196 A1\* 5/2013 Chiang ..... H01Q 1/38  
343/700 MS  
2018/0151956 A1\* 5/2018 Ban ..... H01Q 1/38  
2018/0248256 A1\* 8/2018 Xiao ..... H01Q 19/108  
2020/0400815 A1\* 12/2020 Wintermantel ..... H01Q 21/068  
2021/0036399 A1\* 2/2021 Zhu ..... H01Q 1/50  
2021/0083358 A1\* 3/2021 Shao ..... H01Q 1/1221

\* cited by examiner

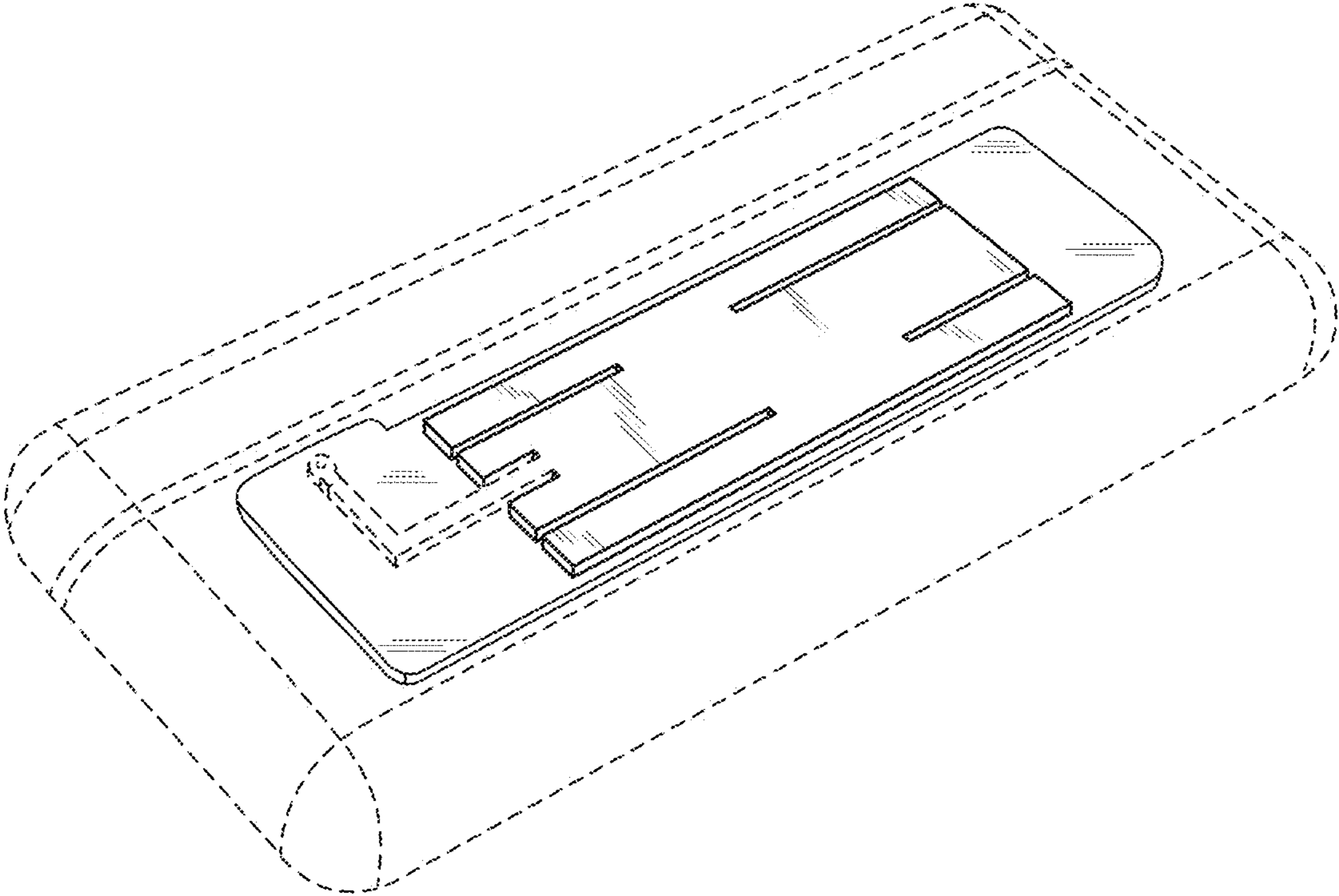


FIG. 1

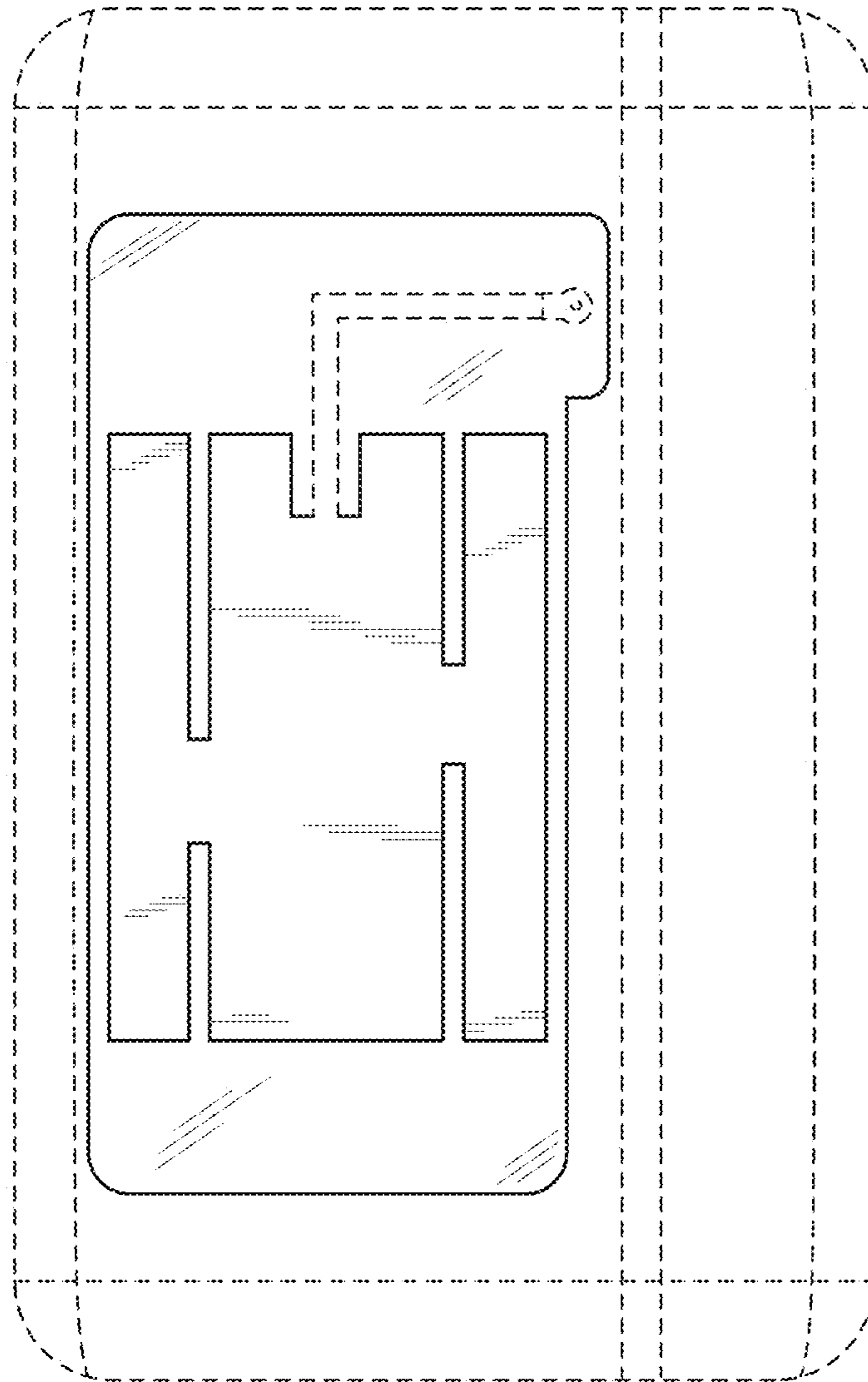


FIG. 2

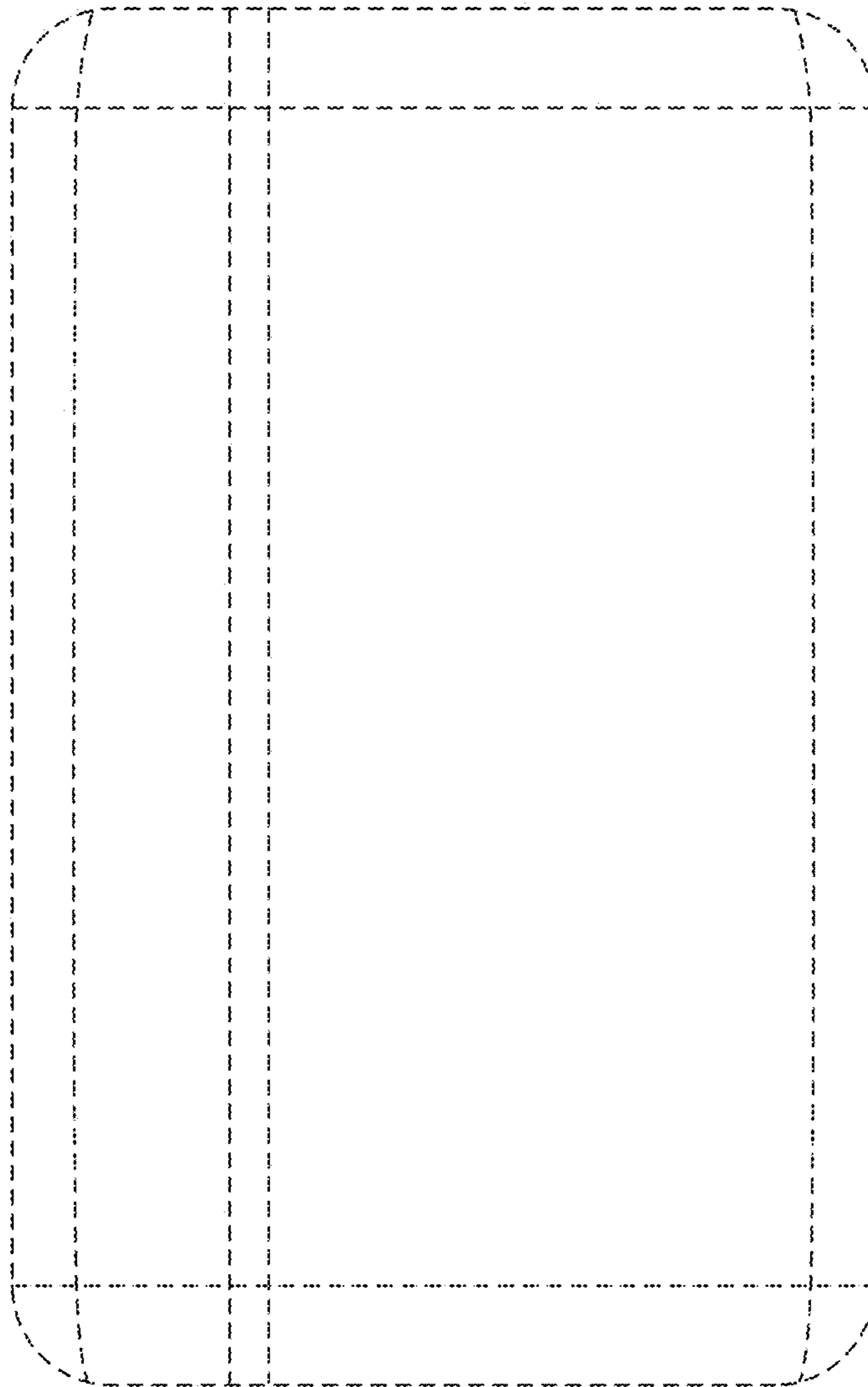


FIG. 3

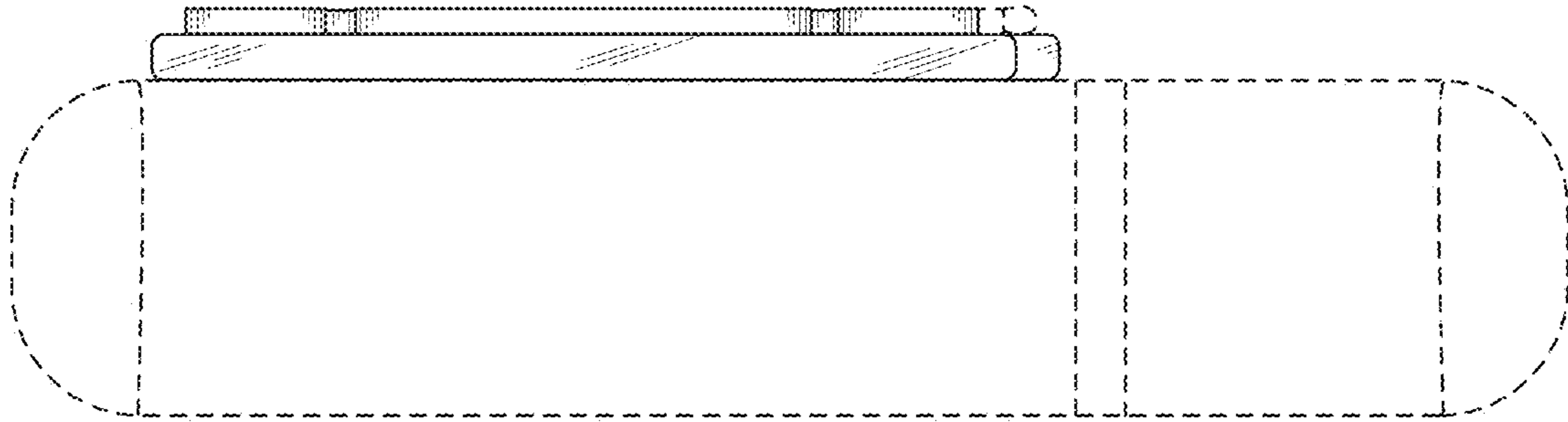


FIG. 4

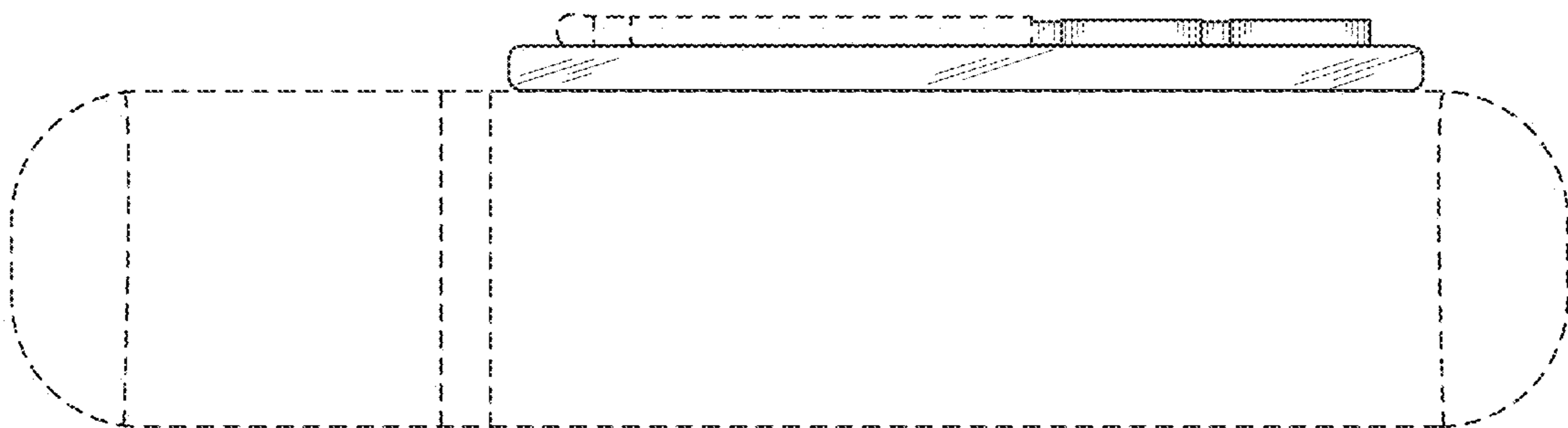


FIG. 5

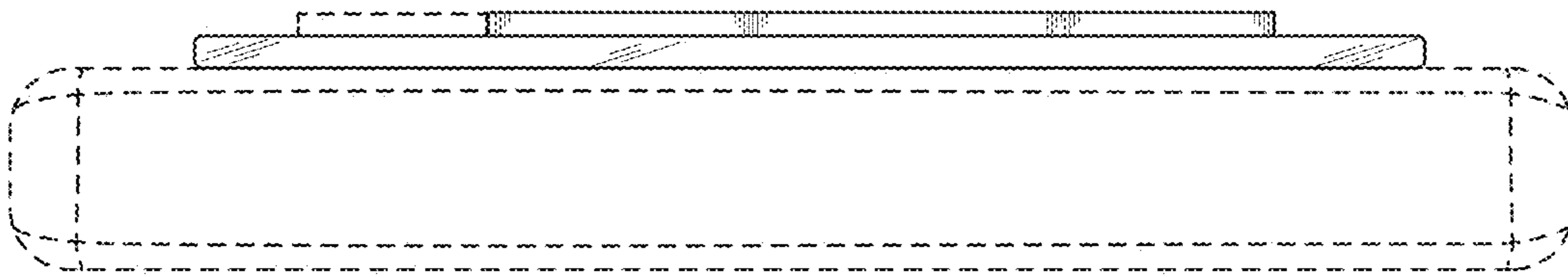


FIG. 6

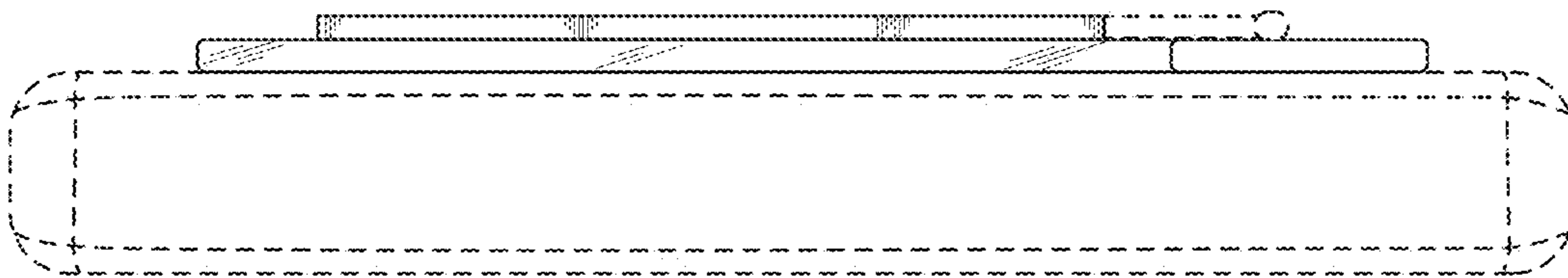


FIG. 7