



US00D949131S

(12) **United States Design Patent**  
**Jiang**

(10) **Patent No.:** **US D949,131 S**

(45) **Date of Patent:** **\*\* Apr. 19, 2022**

(54) **EARPHONE**

(71) Applicant: **Min Jiang**, Changsha (CN)

(72) Inventor: **Min Jiang**, Changsha (CN)

(\*\*) Term: **15 Years**

(21) Appl. No.: **29/739,043**

(22) Filed: **Jun. 22, 2020**

(51) **LOC (13) Cl.** ..... **14-01**

(52) **U.S. Cl.**

USPC ..... **D14/223**

(58) **Field of Classification Search**

USPC ... D14/203.3, 203.4, 203.6, 203.7, 205, 207,  
D14/217, 221, 225; D24/106, 173, 174;  
D29/112

CPC ..... H04R 1/08; H04R 1/10; H04R 1/1016;  
H04R 1/1033; H04R 1/105; H04R  
1/1066; H04R 25/00; H04R 5/033; H04R  
5/0335

See application file for complete search history.

(56) **References Cited**

**U.S. PATENT DOCUMENTS**

- D346,167 S \* 4/1994 Hyvonen ..... D14/191
- D351,836 S \* 10/1994 Nagele ..... D14/191
- D366,957 S \* 2/1996 Scheid ..... D3/218
- D368,365 S \* 4/1996 Castilla ..... D3/218
- D396,231 S \* 7/1998 Hin ..... D14/191
- D401,238 S \* 11/1998 Shiono ..... D14/191
- D413,867 S \* 9/1999 Mullet ..... D13/162
- D421,013 S \* 2/2000 Isonaga ..... D14/191
- D423,011 S \* 4/2000 Goldenberg ..... D14/191
- D452,250 S \* 12/2001 Chan ..... D14/203.7
- D478,576 S \* 8/2003 Leong ..... D14/223
- 6,606,281 B2 \* 8/2003 Cowgill ..... G11C 7/16  
369/11
- D511,781 S \* 11/2005 Chan ..... D14/203.6
- D520,517 S \* 5/2006 Lee ..... D14/203.3
- D530,079 S \* 10/2006 Thomas ..... D14/203.3
- D534,178 S \* 12/2006 Gusmorino ..... D14/492
- D577,370 S \* 9/2008 Fried ..... D14/496

- D607,873 S \* 1/2010 Lee ..... D14/203.7
- D632,666 S \* 2/2011 Shepher ..... D14/138 R
- D686,188 S \* 7/2013 Jeong ..... D14/203.7
- D726,681 S \* 4/2015 Liu ..... D14/155
- D733,900 S \* 7/2015 Hagege ..... D24/200

(Continued)

**FOREIGN PATENT DOCUMENTS**

- CN 306686814 \* 7/2021
- CN 306768847 \* 8/2021

**OTHER PUBLICATIONS**

Backcountry Access, announced Dec. 3, 2020 [online], Nov. 24, 2021. Available from the Internet, URL:<[https://www.amazon.com/dp/B08PNJLLG7/ref=cm\\_sw\\_em\\_r\\_mt\\_dp\\_72H44GP06T6QJKZ33FJG](https://www.amazon.com/dp/B08PNJLLG7/ref=cm_sw_em_r_mt_dp_72H44GP06T6QJKZ33FJG)>. (Year: 2020).\*

(Continued)

*Primary Examiner* — Dana K Weiland  
*Assistant Examiner* — Russell Carnell Smith, Jr.  
(74) *Attorney, Agent, or Firm* — Rumit R. Kanakia

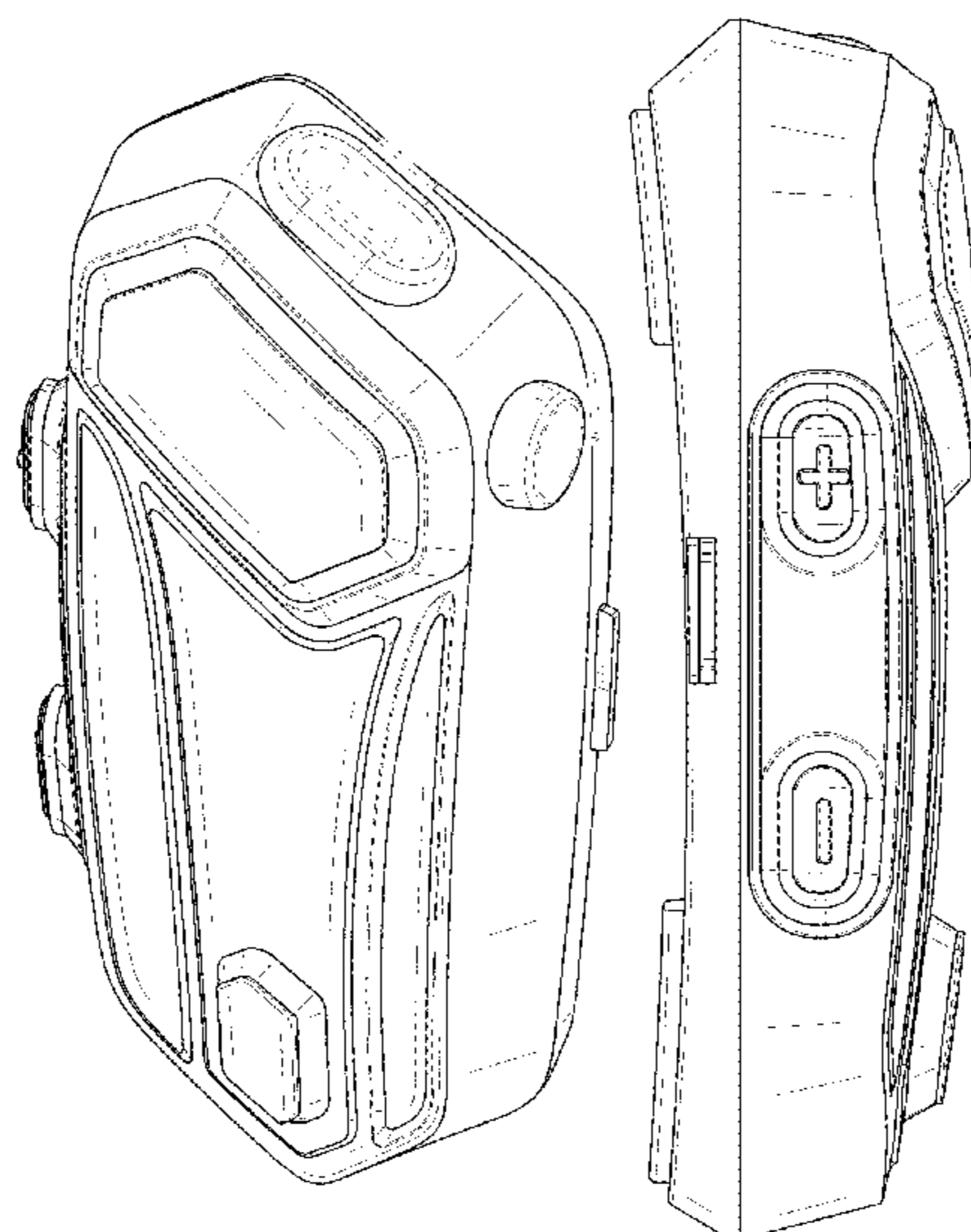
(57) **CLAIM**

The ornamental design for an earphone, as shown and described.

**DESCRIPTION**

FIG. 1 is a front perspective view of an earphone, showing my design.  
FIG. 2 is a rear perspective view thereof.  
FIG. 3 is a front elevation view thereof.  
FIG. 4 is a rear elevation view thereof.  
FIG. 5 is a top plan view thereof.  
FIG. 6 is a bottom plan view thereof.  
FIG. 7 is a right side elevation view thereof; and,  
FIG. 8 is a left side elevation view thereof.  
The broken lines show portions of the earphone that form no part of the claimed design.

**1 Claim, 8 Drawing Sheets**



(56)

**References Cited**

U.S. PATENT DOCUMENTS

D753,725 S \* 4/2016 Palmer, Jr. .... D14/496  
D898,709 S \* 10/2020 Jiang ..... D14/223  
2021/0112391 A1\* 4/2021 Livano ..... H04R 1/025

OTHER PUBLICATIONS

FINIS Duo Underwater, announced Oct. 30, 2015 [online], Nov. 24, 2021. Available from the Internet, URL:<[https://www.amazon.com/dp/B0169RSNPG/ref=cm\\_sw\\_em\\_r\\_mt\\_dp\\_3CJ9BMRKGAW782WB6HM9](https://www.amazon.com/dp/B0169RSNPG/ref=cm_sw_em_r_mt_dp_3CJ9BMRKGAW782WB6HM9)>. (Year: 2015).\*

Swimming MP3 Player with Clip, announced Dec. 18, 2018 [online], Nov. 24, 2021. Available from the Internet, URL:<[https://www.amazon.com/dp/B07LG3KCVZ/ref=cm\\_sw\\_em\\_r\\_mt\\_dp\\_E47YCHSMSMX6T9BAB5D8?\\_encoding=UTF8&psc=1](https://www.amazon.com/dp/B07LG3KCVZ/ref=cm_sw_em_r_mt_dp_E47YCHSMSMX6T9BAB5D8?_encoding=UTF8&psc=1)>. (Year: 2018).\*

Best Bluetooth Headphones for Motorcycle Helmet, announced Dec. 13, 2020 [online], [retrieved Dec. 4, 2021], Available from Internet, URL: <<https://mattandkimmusic.com/headphones-for-motorcycle-helmet/>> (Year: 2020).\*

The 9 Best Bluetooth Motorcycle Headsets For 2021!, announced Dec. 18, 2020 [online], [retrieved Dec. 4, 2021], Available from Internet, URL: <<https://bikersinsider.com/best-bluetooth-motorcycle-headsets-2021/>> (Year: 2020).\*

Fodsports M1-S Plus, first available Aug. 8, 2020 [online], [retrieved Dec. 4, 2021], Available from Internet, URL: <[https://www.amazon.com/dp/B08FFJNQGP/ref=cm\\_sw\\_em\\_r\\_mt\\_dp\\_JCDPKN2E5WZF79X115DH?\\_encoding=UTF8&psc=1](https://www.amazon.com/dp/B08FFJNQGP/ref=cm_sw_em_r_mt_dp_JCDPKN2E5WZF79X115DH?_encoding=UTF8&psc=1)> (Year: 2020).\*

\* cited by examiner

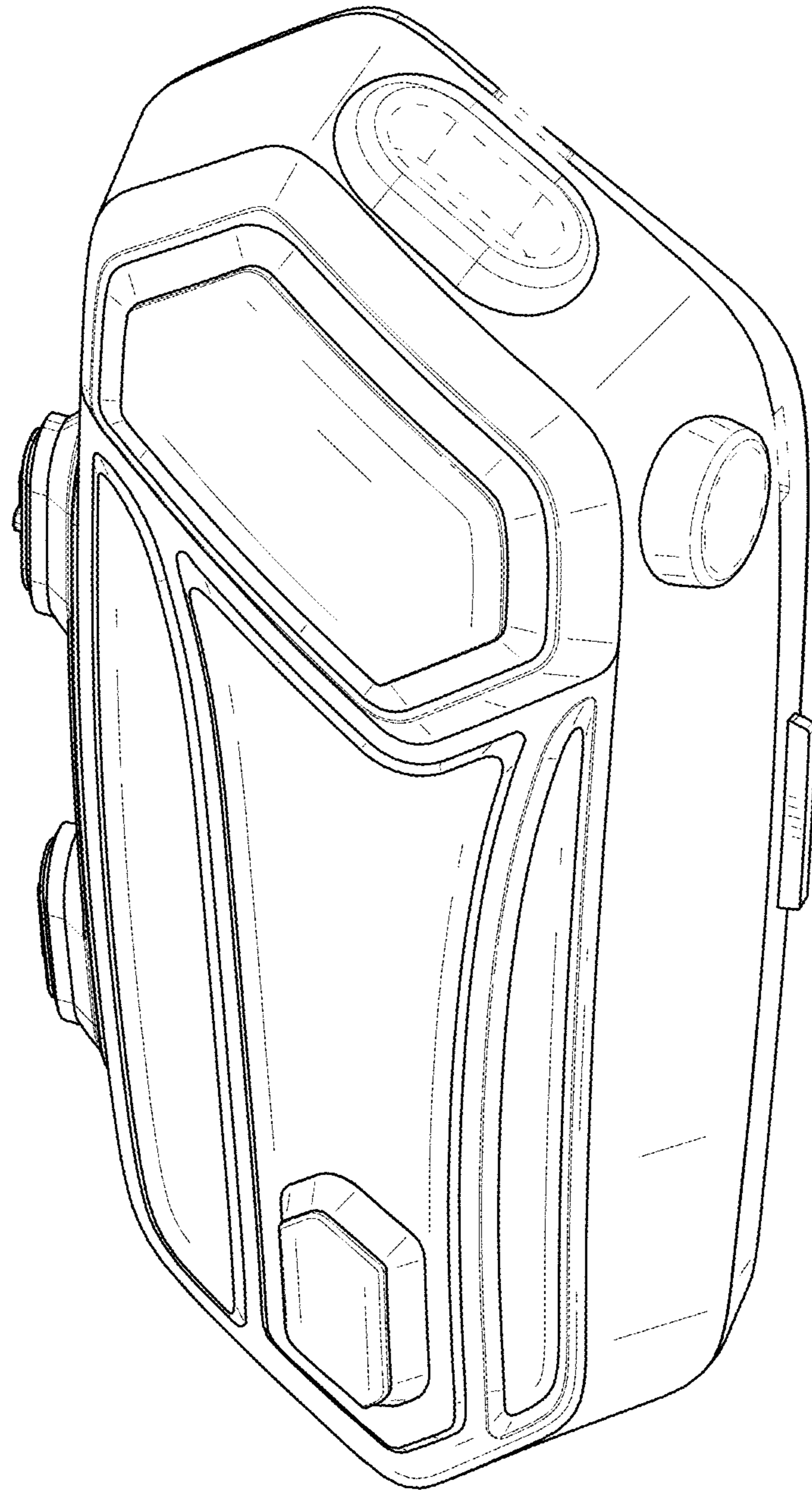


FIG. 1

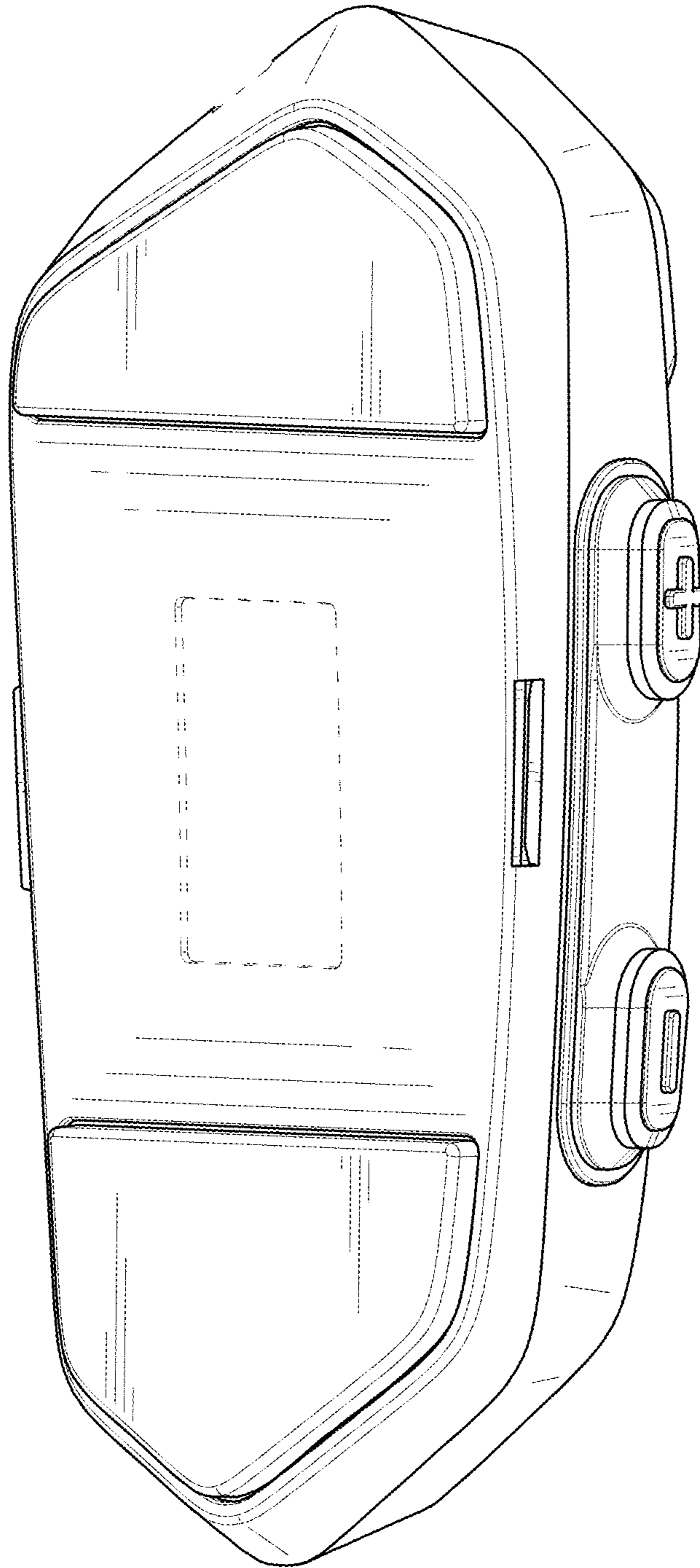


FIG. 2



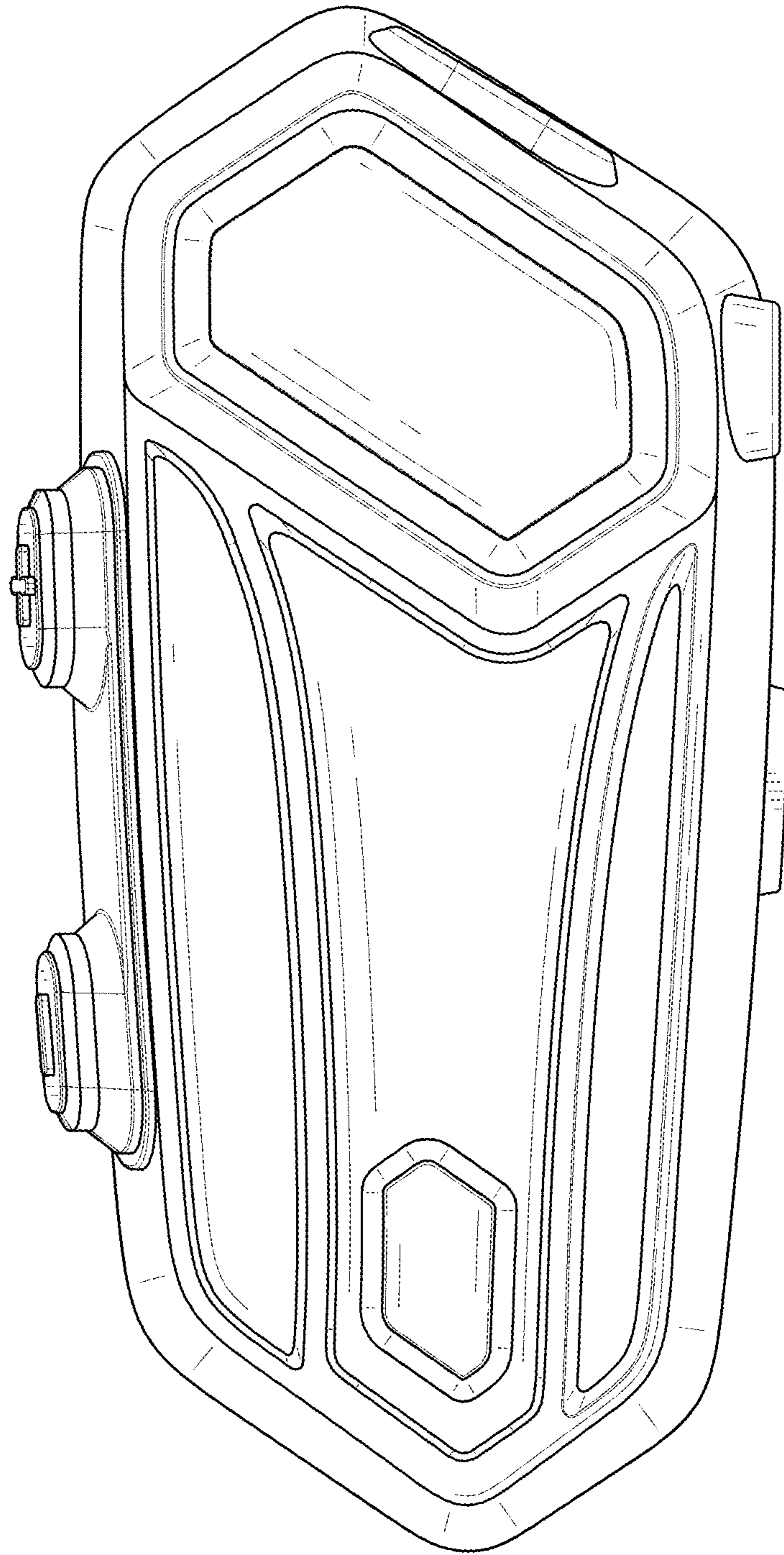


FIG. 3

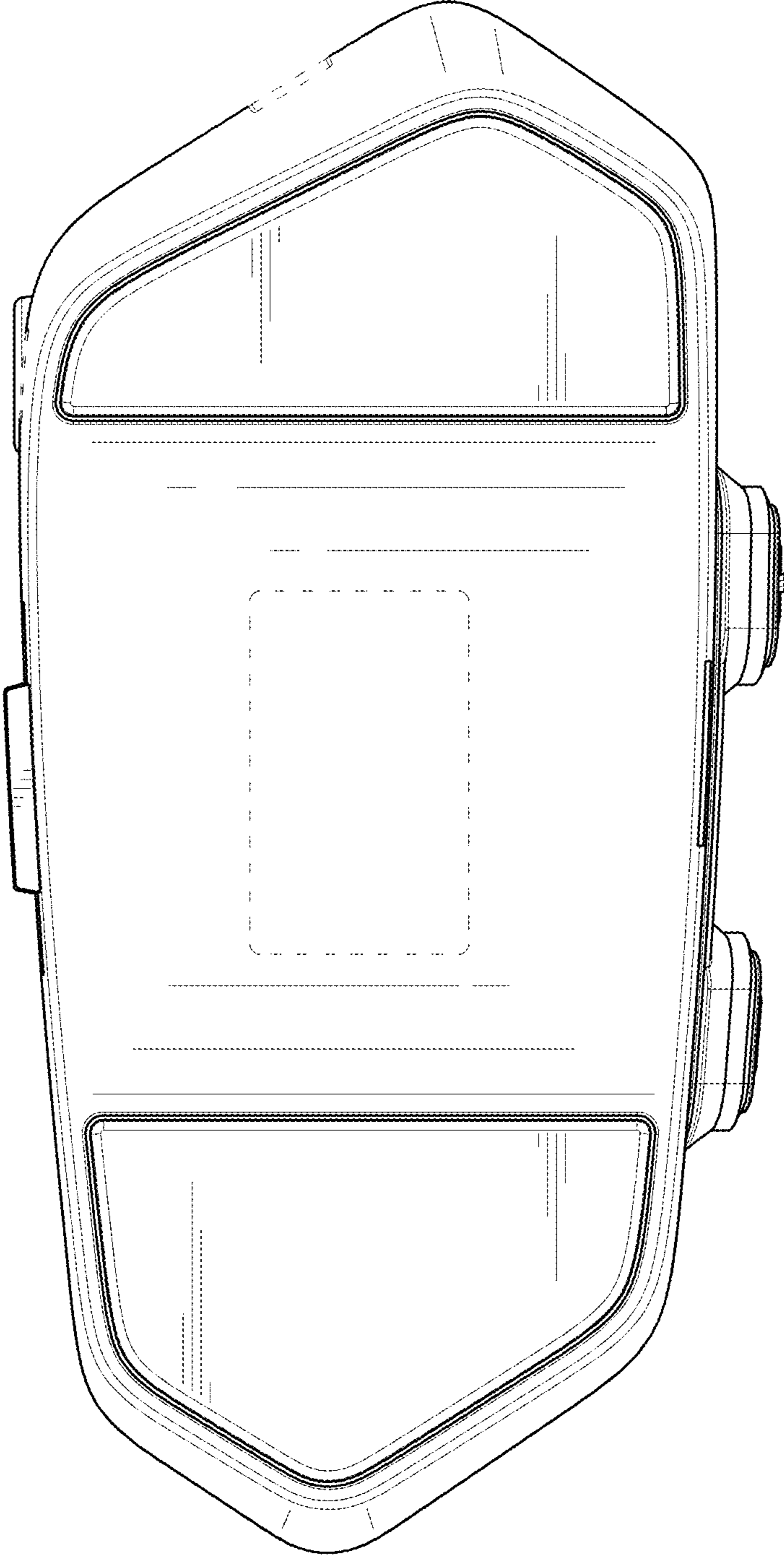


FIG. 4

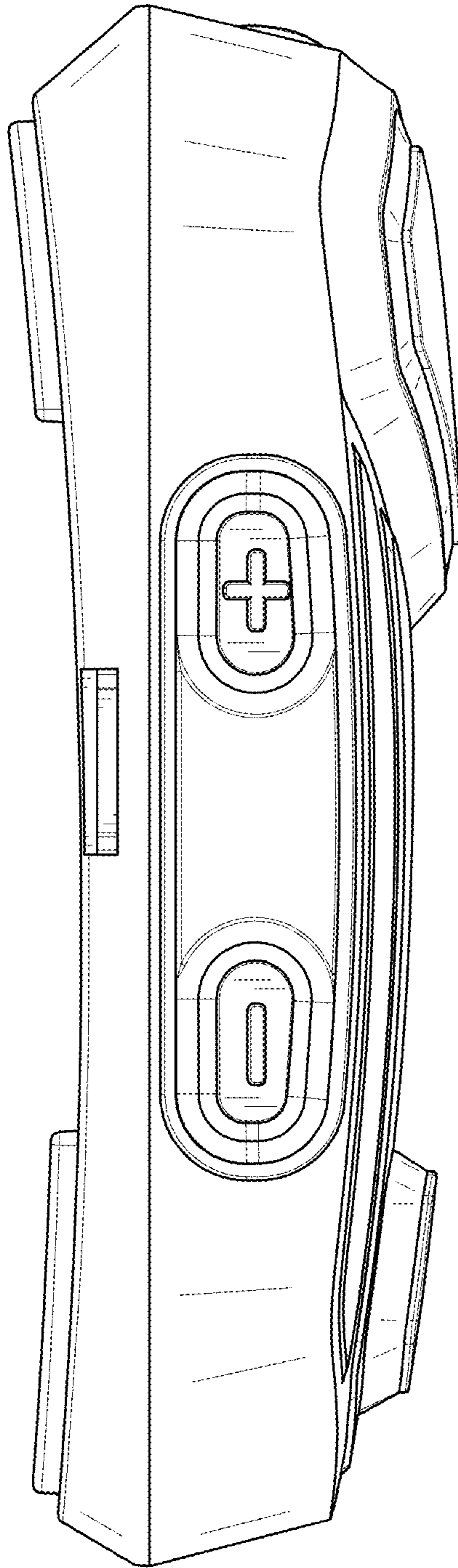


FIG. 5

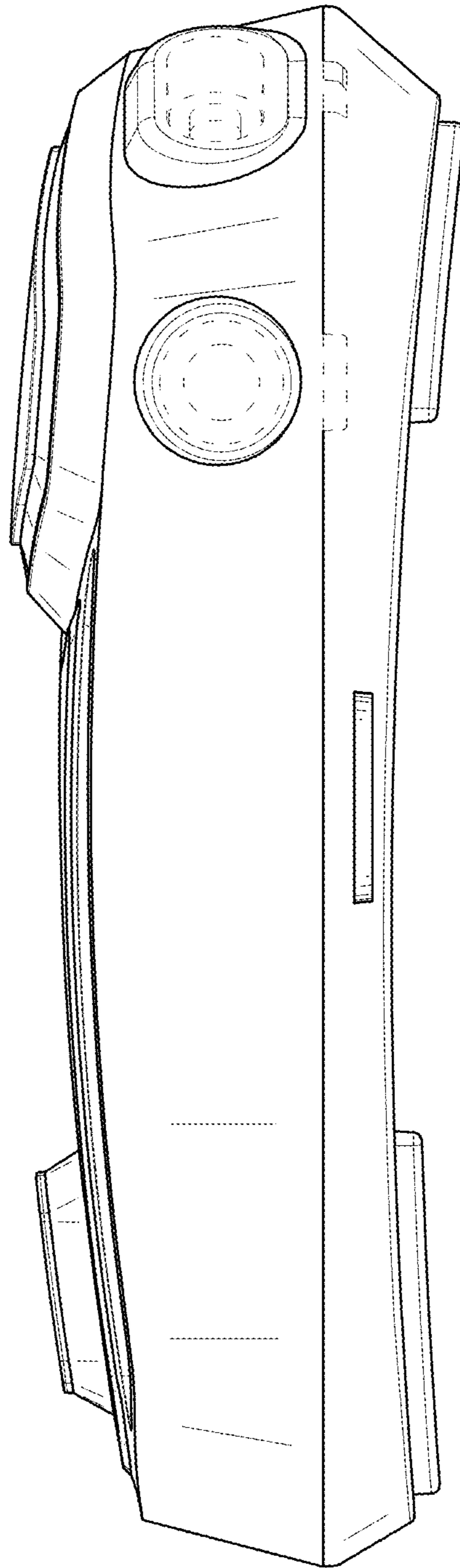


FIG. 6



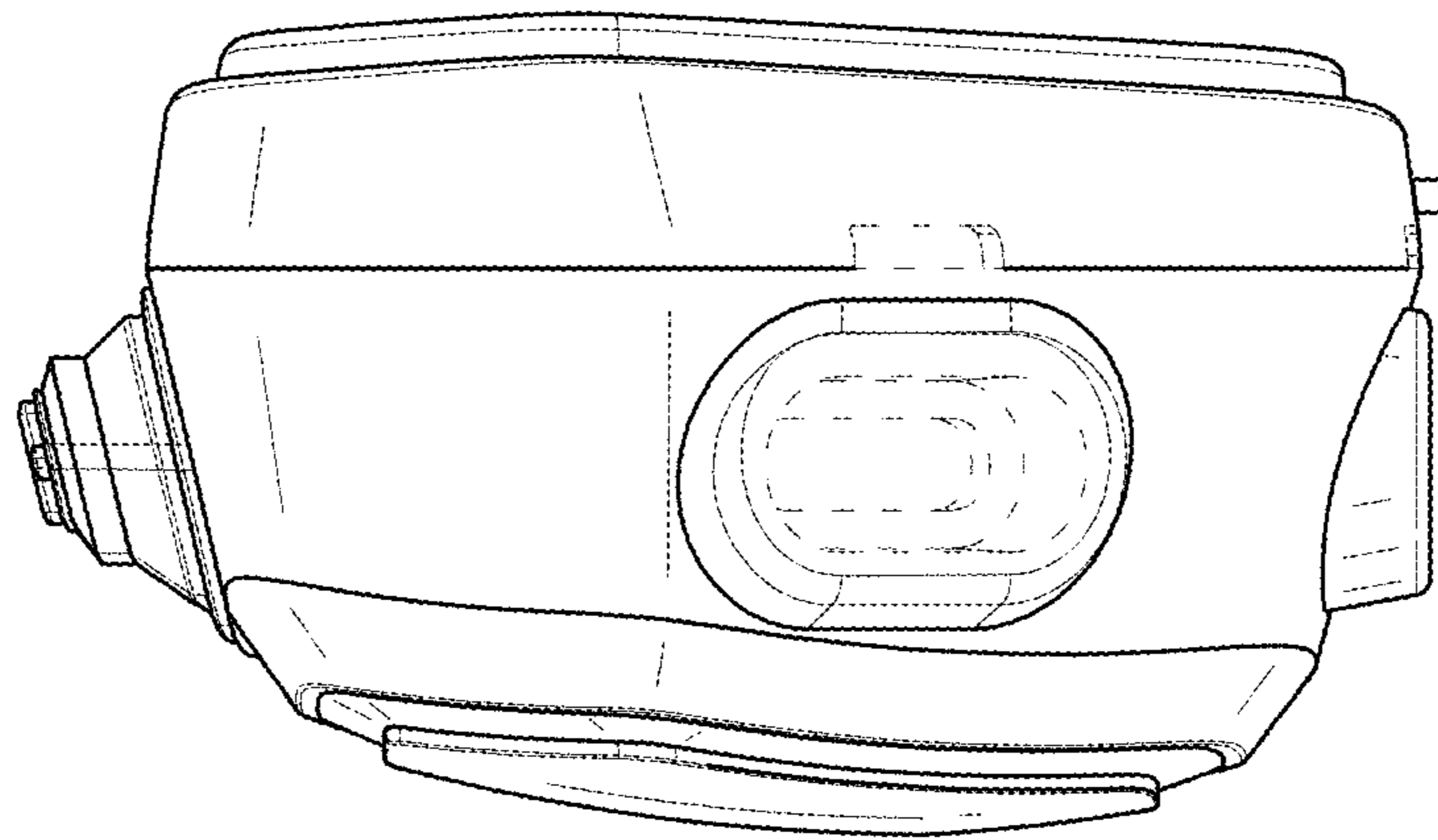


FIG. 7

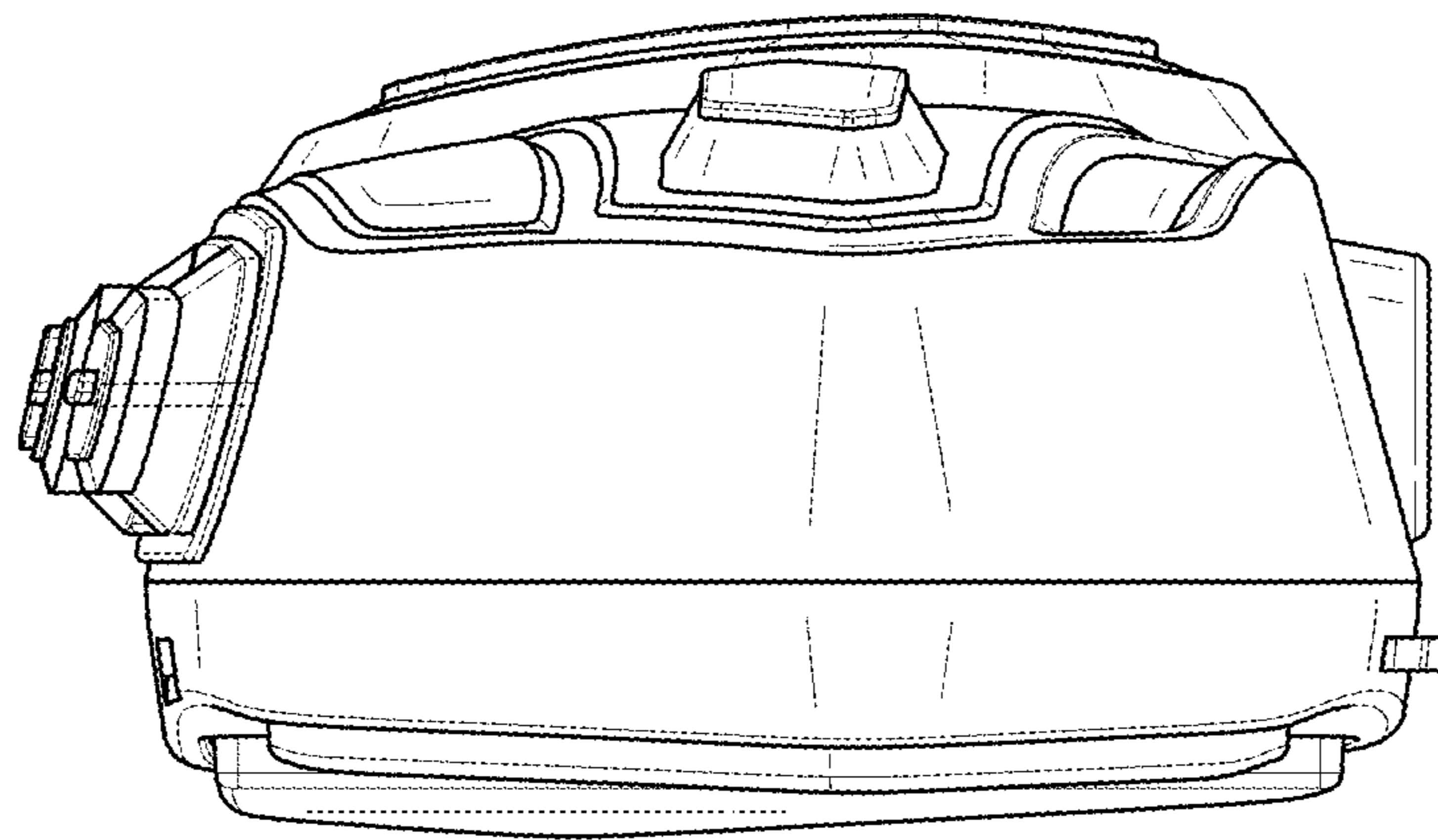


FIG. 8