



US00D949129S

(12) **United States Design Patent** (10) **Patent No.:** **US D949,129 S**
Biddle (45) **Date of Patent:** **** Apr. 19, 2022**

(54) **REMOTE CONTROL**
(71) Applicant: **Amazon Technologies, Inc.**, Seattle, WA (US)
(72) Inventor: **Jonathan Howard Biddle**, San Francisco, CA (US)
(73) Assignee: **Amazon Technologies, Inc.**, Seattle, WA (US)

D529,872 S 10/2006 Weitgasser et al.
D531,585 S 11/2006 Weitgasser et al.
D531,964 S 11/2006 Peh
D535,261 S 1/2007 Daniels
D546,320 S 7/2007 Choi
D567,804 S 4/2008 Yan
D568,299 S 5/2008 Tuli
D568,827 S 5/2008 Ikeda et al.

(Continued)

(**) Term: **15 Years**
(21) Appl. No.: **29/814,844**
(22) Filed: **Nov. 9, 2021**

FOREIGN PATENT DOCUMENTS

CN 304588761 4/2018
CN 304772469 8/2018

(Continued)

OTHER PUBLICATIONS

Amazon, "Amazon Fire TV Stick 4K with Alexa Voice Remote, Streaming Media Player", Sep. 30, 2019, <<[\(Continued\)](https://www.amazon.com/Stick-Alexa-Remote-streaming-player/dp/B079QHML21/ref=c>>, 9 pages.</p></div>
<div data-bbox=)

Primary Examiner — John R Yeh
(74) *Attorney, Agent, or Firm* — Lee & Hayes, P.C.

Related U.S. Application Data

(62) Division of application No. 29/727,202, filed on Mar. 9, 2020, now Pat. No. Des. 938,397, which is a division of application No. 29/697,362, filed on Jul. 8, 2019, now Pat. No. Des. 901,451, which is a division of application No. 29/641,357, filed on Mar. 21, 2018, now Pat. No. Des. 858,486.

(51) **LOC (13) Cl.** **14-03**
(52) **U.S. Cl.**
USPC **D14/218**
(58) **Field of Classification Search**
USPC D14/218; D13/168
CPC H01H 9/0235; A61B 5/00
See application file for complete search history.

(57) **CLAIM**

The ornamental design for a remote control, as shown and described.

DESCRIPTION

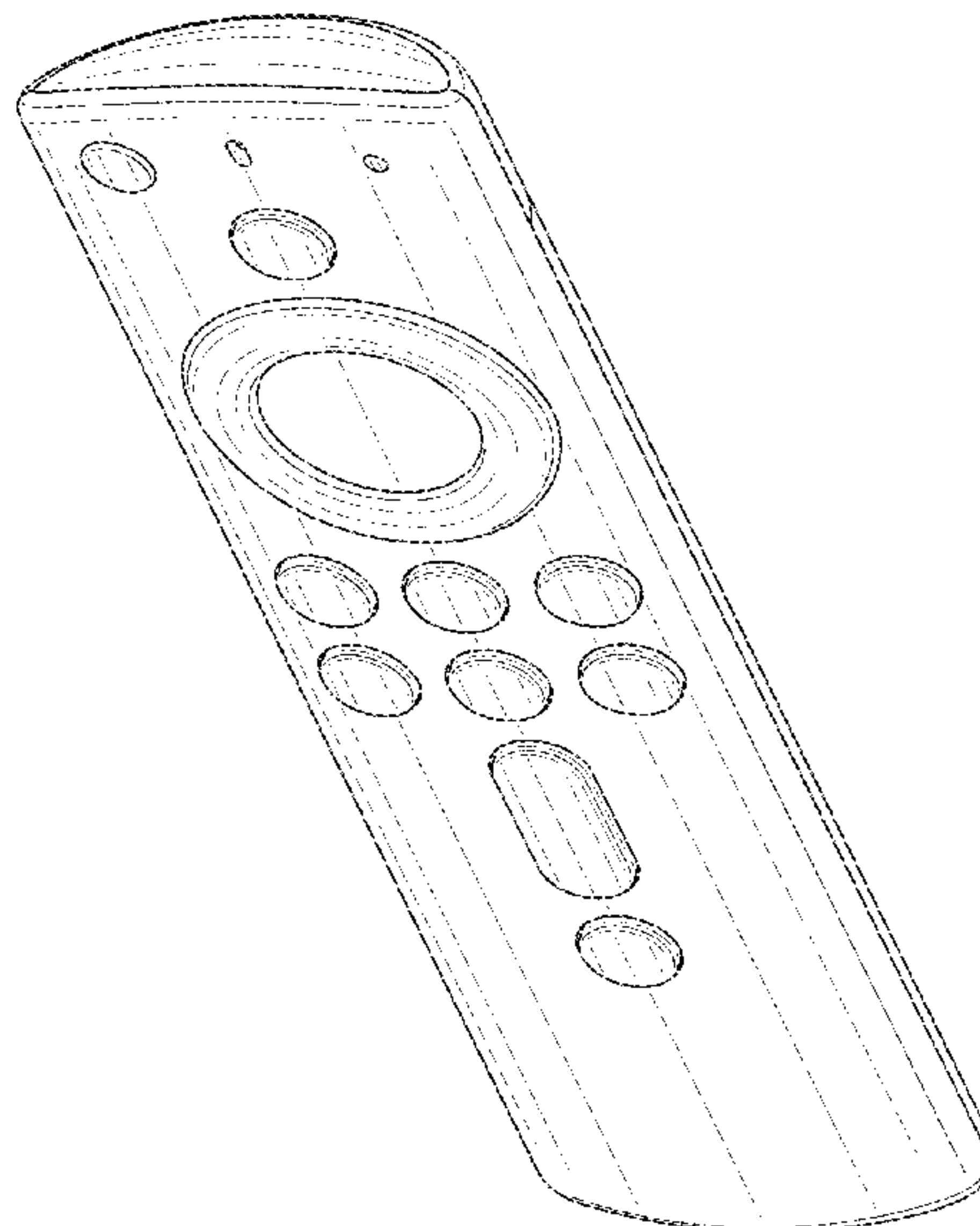
FIG. 1 is a front perspective view of a remote control;
FIG. 2 is a back perspective view thereof;
FIG. 3 is a front view thereof;
FIG. 4 is a back view thereof;
FIG. 5 is a left-side view thereof;
FIG. 6 is a right-side view thereof;
FIG. 7 is a top view thereof; and,
FIG. 8 is a bottom view thereof.

1 Claim, 8 Drawing Sheets

(56) **References Cited**

U.S. PATENT DOCUMENTS

D298,941 S 12/1988 Ennio
D314,384 S 2/1991 Hafner
D366,042 S 1/1996 Laituri
D450,662 S 11/2001 Kwok
D477,590 S * 7/2003 Ahn D14/218
D503,687 S 4/2005 Hoffman
D520,495 S 5/2006 Dukerschein et al.



(56)

References Cited

U.S. PATENT DOCUMENTS

D573,957 S 7/2008 Ledbetter et al.
 D584,718 S 1/2009 Moller et al.
 D597,082 S 7/2009 Bang et al.
 D607,846 S 1/2010 Daniels
 D611,456 S 3/2010 Lin
 D618,216 S 6/2010 Constin et al.
 D618,628 S 6/2010 Giugiaro
 D620,456 S 7/2010 Akana et al.
 D622,703 S 8/2010 Cheng Teh et al.
 D625,693 S 10/2010 Charleux
 D628,985 S 12/2010 VanDuyn et al.
 D633,478 S 3/2011 Bolton
 D645,848 S * 9/2011 Arnholt D14/218
 D654,476 S 2/2012 Weitgasser
 D654,477 S 2/2012 Weitgasser
 D661,688 S 6/2012 Weitgasser
 D661,689 S * 6/2012 Weitgasser D14/218
 D661,690 S 6/2012 Weitgasser
 D661,691 S 6/2012 Weitgasser
 D663,721 S 7/2012 McManigal et al.
 D664,945 S * 8/2012 Morris D14/218
 D669,885 S 10/2012 Kim et al.
 D672,321 S 12/2012 Park et al.
 D691,987 S 10/2013 Peh
 D695,272 S * 12/2013 Hansen D14/218
 D697,056 S 1/2014 McManigal
 D697,499 S 1/2014 McManigal
 D699,223 S 2/2014 Maier et al.
 8,646,019 B2 2/2014 O'Donnell et al.
 D703,188 S 4/2014 Maier et al.
 D703,190 S 4/2014 Zaslavsky et al.
 D704,167 S * 5/2014 Akana D14/218
 D714,740 S 10/2014 Corsini et al.
 D714,761 S * 10/2014 O'Neil D14/218
 D720,725 S 1/2015 Peh
 D726,692 S 4/2015 Pen
 D735,195 S 7/2015 Yakel
 D735,718 S 8/2015 Pang et al.
 D743,944 S 11/2015 Karrman
 D752,025 S * 3/2016 Akana D14/218
 D752,555 S 3/2016 Langhammer et al.
 D756,969 S * 5/2016 Kim D14/218
 D760,199 S * 6/2016 Bu D14/218
 D763,830 S * 8/2016 Jones D14/218
 D778,266 S * 2/2017 Maier D14/218
 9,589,457 B1 * 3/2017 Wengreen G08C 23/04
 D788,017 S 5/2017 Smallhorn
 D795,842 S * 8/2017 Cha D14/218
 D801,311 S 10/2017 Akana et al.
 D811,373 S 2/2018 Lee et al.
 D826,937 S 8/2018 Ruegg et al.
 D828,336 S 9/2018 Matvienko et al.
 D835,074 S 12/2018 Cheng

D836,613 S 12/2018 Lu
 D837,747 S * 1/2019 Lee D13/168
 D851,631 S 6/2019 Einaudi et al.
 D856,332 S 8/2019 Ruegg et al.
 D858,486 S * 9/2019 Biddle D14/218
 D866,527 S * 11/2019 Maier D14/218
 D873,245 S * 1/2020 Russo D14/218
 D873,804 S * 1/2020 Garcia D14/218
 D874,439 S * 2/2020 Gong D14/218
 D901,451 S 11/2020 Biddle
 D901,452 S 11/2020 Maier
 D902,180 S * 11/2020 Shigeta D14/218
 D902,889 S * 11/2020 Tu D14/218
 D930,972 S * 9/2021 Hayman D3/203.2
 2005/0024321 A1 * 2/2005 Tsai G06F 3/0338
 345/156
 2006/0007306 A1 1/2006 Masters et al.
 2009/0115723 A1 5/2009 Henty
 2010/0035668 A1 2/2010 Lee
 2011/0051016 A1 3/2011 Malode
 2011/0102230 A1 5/2011 Vergis et al.
 2016/0086483 A1 3/2016 Hong et al.
 2017/0332031 A1 11/2017 Park
 2018/0173326 A1 * 6/2018 Mathias G06F 3/02

FOREIGN PATENT DOCUMENTS

CN 306777816 * 4/2021
 IN 2619180001 5/2015
 WO D207717-010 5/2020

OTHER PUBLICATIONS

Canadian Office Action dated Jun. 20, 2019 for Canadian Patent Application No. 183559, a counter part of U.S. Appl. No. 29/641,357, 2 pages.
 Chinese Office Action dated Apr. 28, 2019 for Chinese Patent Application No. 201830534613.2, a counterpart of U.S. Appl. No. 29/641,357, 1 page.
 Geekbuying, "FM5S Wireless Mini Keyboard 2.4G Fly Air Mouse Remote Control", retrieved on Mar. 12, 2019 at <<<https://www.geekbuying.com/item/FM5S-Wireless-Mini-Keyboard-2-4G-Fly-Air-Mouse-Remote-Control-Black-374742.html>>>, Geekbuying, 2018, 5 pages.
 Indian Office Action dated Oct. 3, 2018 for Indian Patent Application No. 310098, a counterpart foreign patent application for the U.S. Appl. No. 29/641,357, 2 pages.
 Non Final Office Action dated Oct. 4, 2019 for U.S. Appl. No. 29/697,362 "Remote Control" Biddle, 5 pages.
 Techhive, "Best Universal Remotes", Techhive website, site visited Sep. 22, 2021, <https://www.techhive.com/article/3314747/best-universal-remote-control.html>, 9 pages.

* cited by examiner

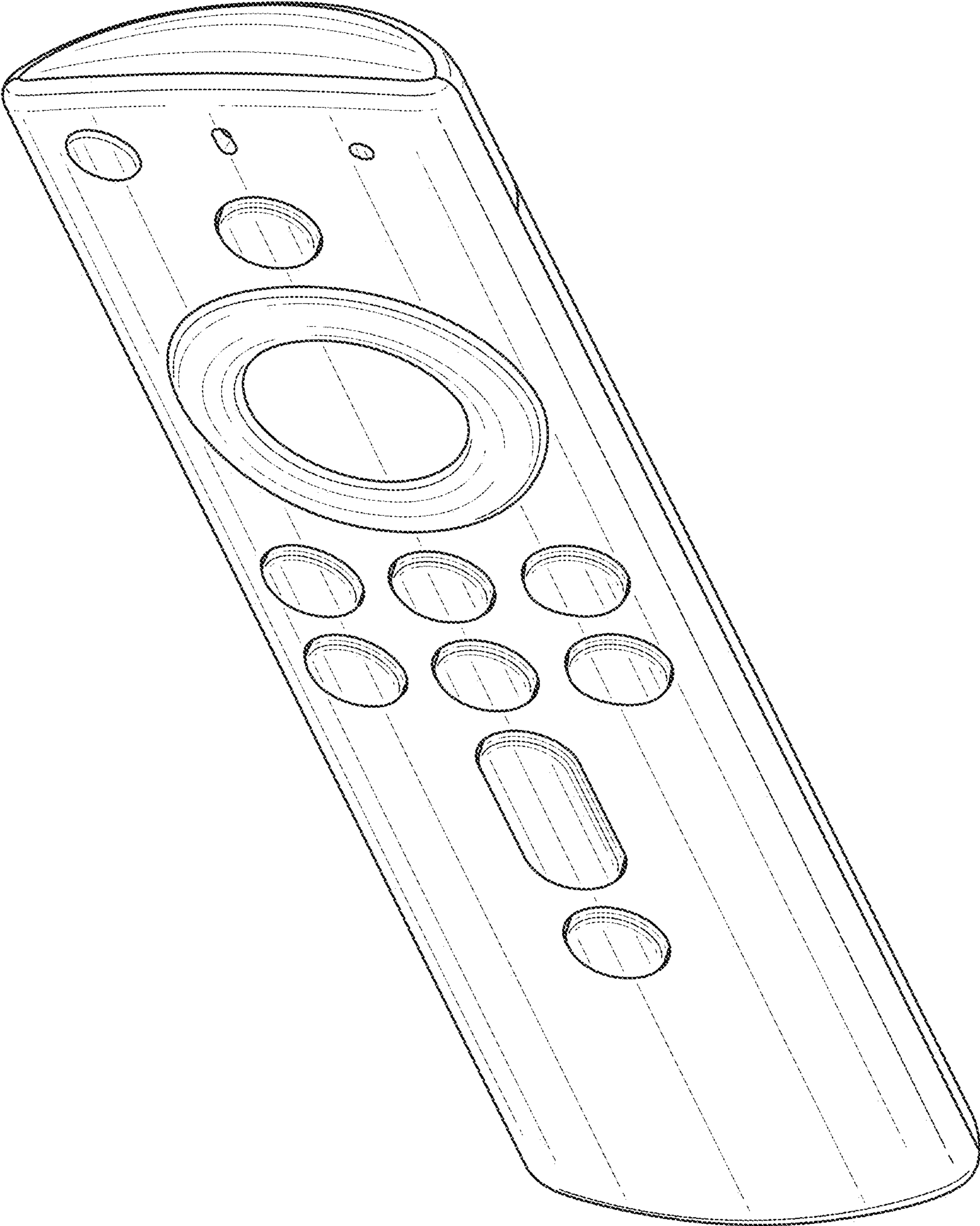


FIG. 1

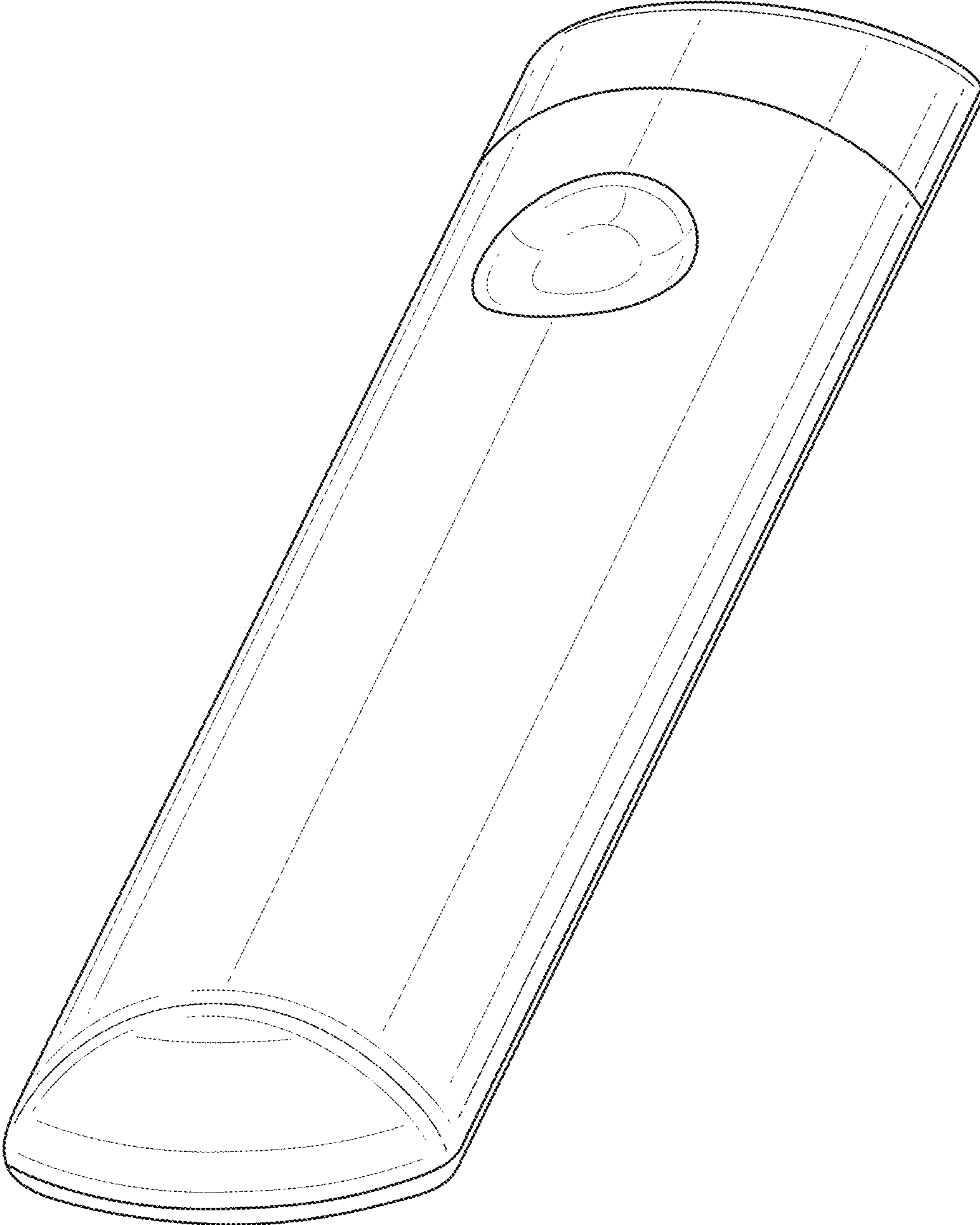


FIG. 2

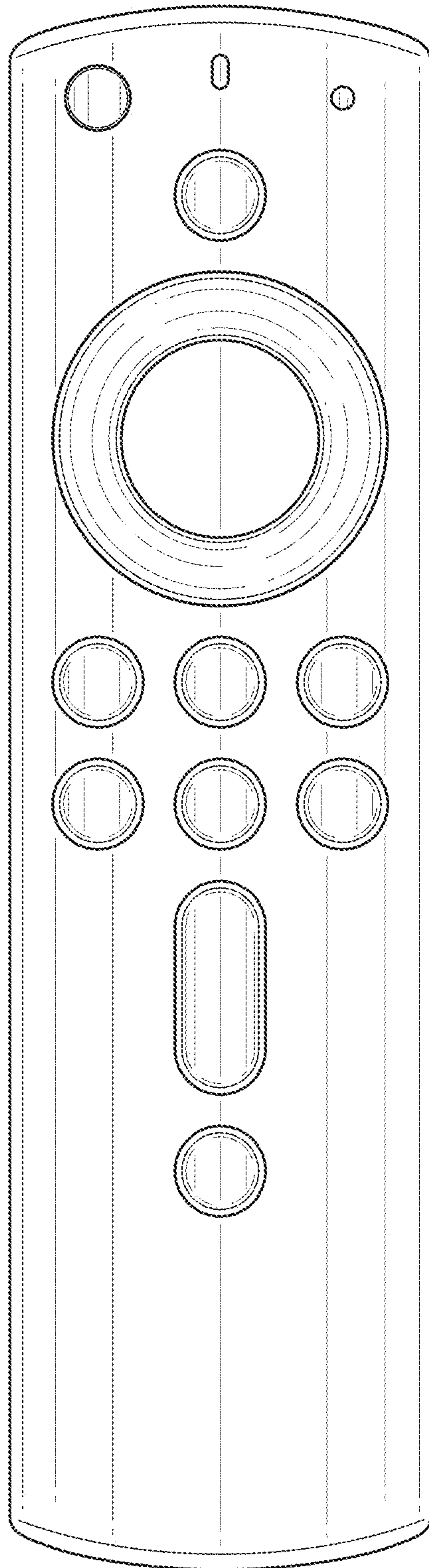


FIG. 3

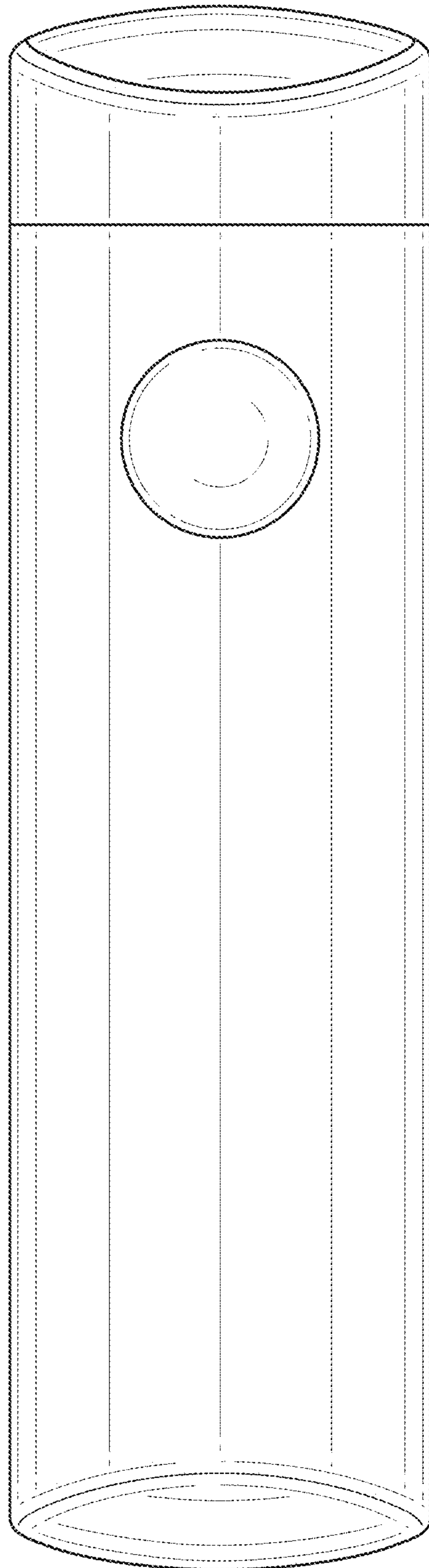


FIG. 4

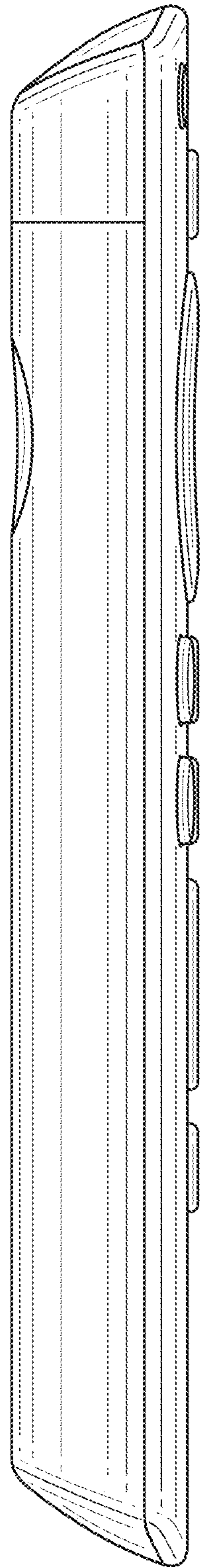


FIG. 5

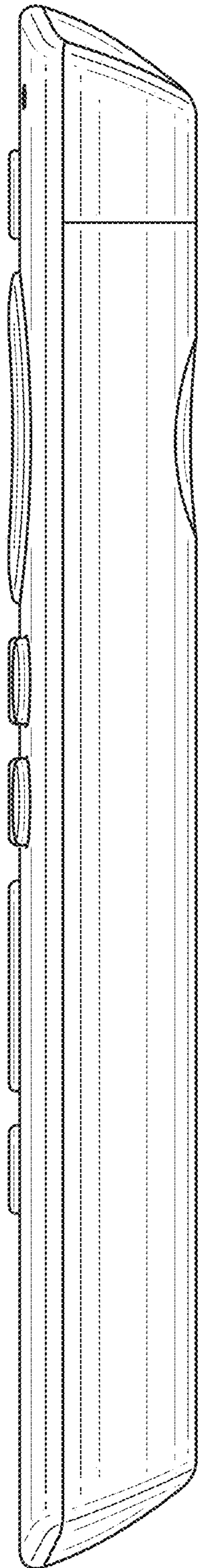


FIG. 6

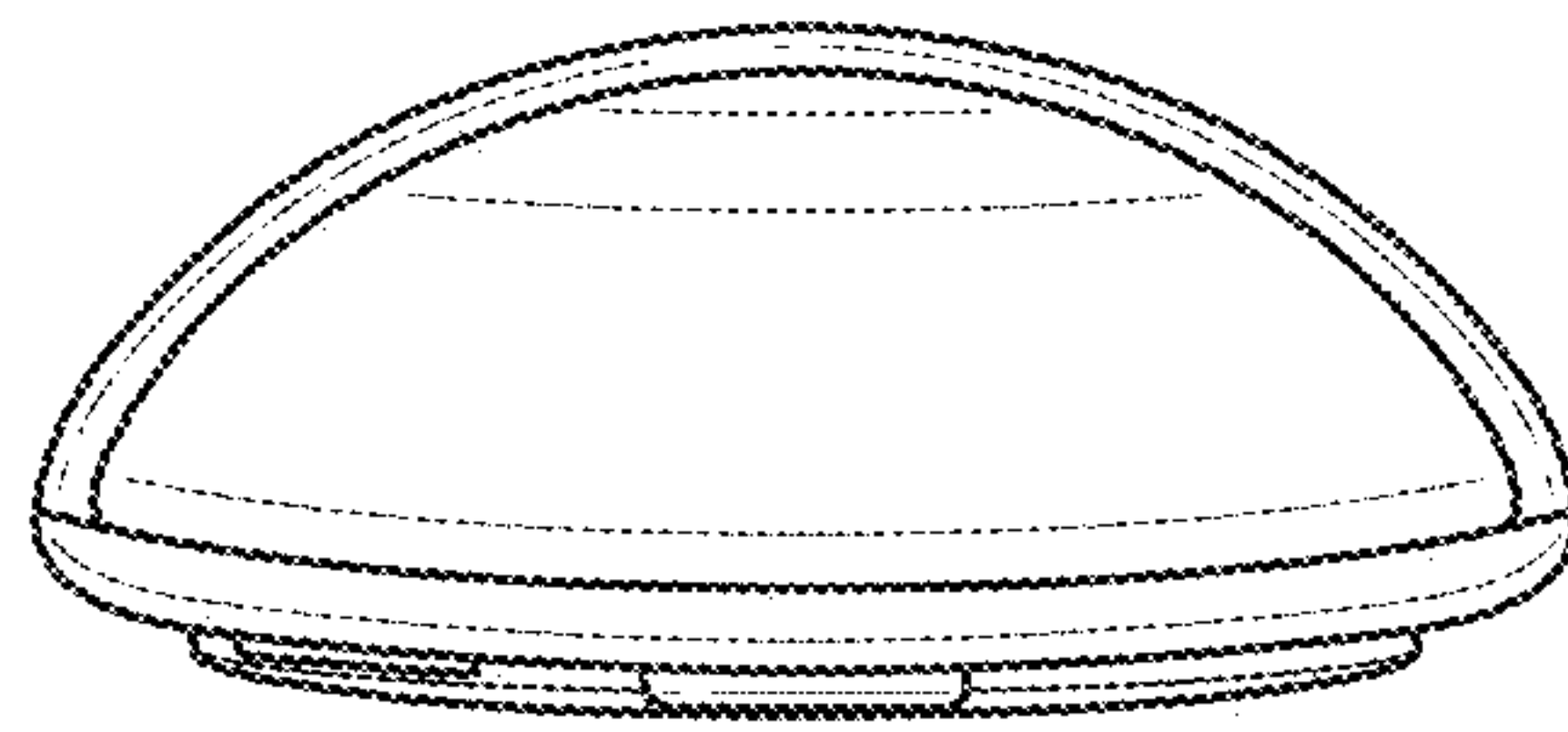


FIG. 7

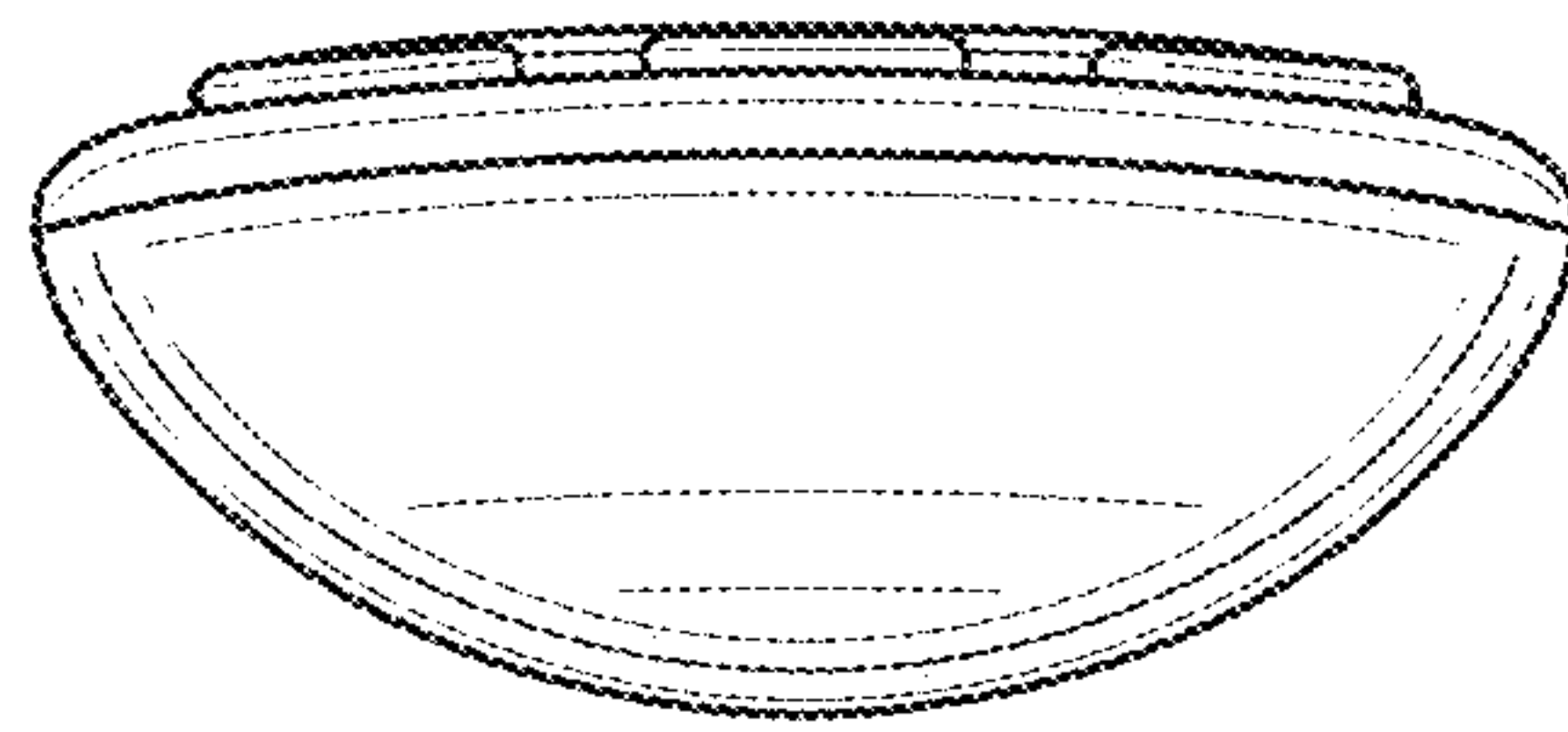


FIG. 8