

US00D949127S

(12) **United States Design Patent**
Shen

(10) **Patent No.:** **US D949,127 S**

(45) **Date of Patent:** **** Apr. 19, 2022**

(54) **HEADSET**

(71) Applicant: **Fuhua Shen**, Shenzhen (CN)

(72) Inventor: **Fuhua Shen**, Shenzhen (CN)

(**) Term: **15 Years**

(21) Appl. No.: **29/785,268**

(22) Filed: **May 25, 2021**

(51) **LOC (13) Cl.** **14-01**

(52) **U.S. Cl.**
USPC **D14/206**

(58) **Field of Classification Search**
USPC D14/206, 205, 226; D29/112; 2/209;
381/380, 381, 374, 375; 455/90.3, 575.1,
455/569.1
CPC H04R 25/00; H04R 25/02; H04R 1/1066;
H04R 1/1016; H04R 5/033; H04R
5/0335; H04R 19/04; H04R 11/04; H04R
1/105; H04R 1/1058; H04R 1/1083;
H04R 1/1091
See application file for complete search history.

(56) **References Cited**

U.S. PATENT DOCUMENTS

3,454,964	A *	7/1969	Brinkhoff	A61F 11/14
					381/372
3,488,457	A *	1/1970	Lahti	H04R 1/1008
					381/376
D244,781	S *	6/1977	Saidel	D14/219
D254,183	S *	2/1980	Doodson	D14/205
D262,019	S *	11/1981	Upshaw	D14/205
4,620,068	A *	10/1986	Wieder	H04R 1/083
					181/129
D299,337	S *	1/1989	Wiegel	D14/206
D302,429	S *	7/1989	Leer	D14/206
D333,137	S *	2/1993	Burke	D14/206
D345,981	S *	4/1994	Burke	D14/206
D423,012	S *	4/2000	Yasutomi	D14/205

D431,550	S *	10/2000	Yoneda	D14/205
D442,340	S *	5/2001	Leight	D29/112
D549,688	S *	8/2007	Suzuki	D14/205
D587,684	S *	3/2009	Ham	D14/205
D597,070	S *	7/2009	Zheng	D14/205
D616,865	S	6/2010	Marchand et al.		
8,139,807	B2 *	3/2012	Reiss	H04R 1/1058
					381/375
D659,672	S *	5/2012	Lee	D14/205
D666,991	S *	9/2012	Lee	D14/205
D672,744	S *	12/2012	Scarpa	D14/205
D673,522	S *	1/2013	Iijima	D14/205
D691,111	S *	10/2013	Lee	D14/206
D703,183	S *	4/2014	Moriya	H04R 1/1008
					D14/206

(Continued)

FOREIGN PATENT DOCUMENTS

CN	306341957	*	2/2021
CN	307002547	*	12/2021

(Continued)

Primary Examiner — Paula Allen Greene
(74) *Attorney, Agent, or Firm* — Rumit Ranjit Kanakia

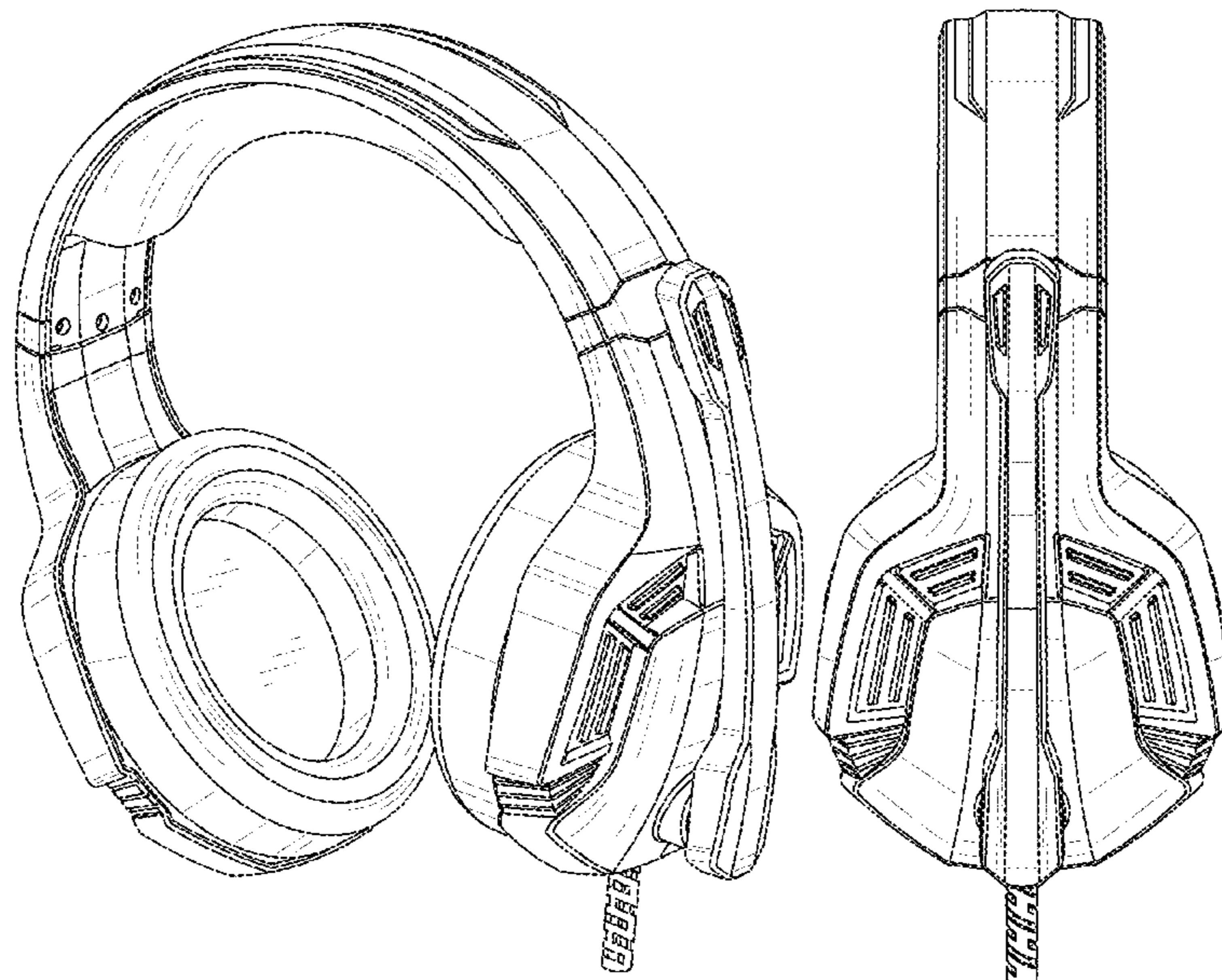
(57) **CLAIM**

I claim the ornamental design for a headset, as shown and described.

DESCRIPTION

FIG. 1 is a Perspective view of a headset showing my new design;
FIG. 2 is another perspective view thereof;
FIG. 3 is a Front view thereof;
FIG. 4 is a Back view thereof;
FIG. 5 is a Right-side view thereof;
FIG. 6 is a Left-side view thereof;
FIG. 7 is a Top view thereof; and,
FIG. 8 is a Bottom view thereof.

1 Claim, 7 Drawing Sheets



(56)

References Cited

U.S. PATENT DOCUMENTS

8,767,996 B1 * 7/2014 Lin H04R 3/12
381/370
D716,762 S * 11/2014 Greve D14/206
D723,508 S * 3/2015 Garland D14/205
D723,509 S * 3/2015 Garland D14/205
D733,091 S * 6/2015 Heinonen D14/205
9,063,849 B2 * 6/2015 Lee G06F 12/0638
D733,677 S * 7/2015 Ling D14/206
D734,736 S * 7/2015 Jin D14/206
D741,286 S * 10/2015 Brennwald D14/205
D745,859 S * 12/2015 Kiuchi D14/205
D745,860 S * 12/2015 Logan D14/206
D746,793 S * 1/2016 Logan D14/206
D766,207 S 9/2016 Paterson et al.
D769,219 S * 10/2016 Ohmachi D14/205
D778,258 S * 2/2017 Hsu D14/205
D787,470 S * 5/2017 Kelly D14/205
D788,071 S * 5/2017 Logan D14/205
D791,734 S * 7/2017 Ou D14/206
D795,835 S 8/2017 Nagamine et al.
D808,359 S * 1/2018 Meyer D14/206
D812,035 S 3/2018 Petersen
D824,362 S * 7/2018 Probst D14/206
D843,349 S * 3/2019 Burgess D14/206
D851,063 S * 6/2019 Deng D14/206
D852,165 S * 6/2019 Karayiannis D14/205
D853,988 S * 7/2019 Wang D14/206
D856,967 S * 8/2019 Tang D14/206
D856,968 S * 8/2019 Tang D14/206
D856,970 S * 8/2019 Tang D14/206

D856,971 S * 8/2019 Tang D14/206
D859,355 S * 9/2019 Hu D14/206
D868,734 S * 12/2019 Wang D14/206
D877,116 S * 3/2020 Liu D14/206
D890,131 S * 7/2020 Shen D14/206
D894,869 S * 9/2020 Tang D14/206
D899,402 S * 10/2020 Shen D14/206
D907,004 S * 1/2021 Zhou D14/206
D908,110 S * 1/2021 Zhou D14/206
D909,337 S * 2/2021 Liu D14/206
D910,595 S * 2/2021 Shen D14/206
D910,596 S * 2/2021 Shen D14/206
D916,681 S * 4/2021 He D14/206
D924,842 S * 7/2021 Chan D14/206
D931,831 S * 9/2021 Liu D14/206
D935,439 S * 11/2021 Zheng D14/206
D937,808 S * 12/2021 Liu D14/206
D940,100 S * 1/2022 Xie D14/206
D941,802 S * 1/2022 He D14/206
D941,803 S * 1/2022 He D14/206
2001/0017925 A1 * 8/2001 Ceravolo H04M 1/05
381/370
2010/0040252 A1 * 2/2010 Thompson H04R 1/083
381/375
2011/0194721 A1 * 8/2011 Schmidt H04R 1/1066
381/370
2020/0288234 A1 * 9/2020 Fletcher H04R 1/1066

FOREIGN PATENT DOCUMENTS

CN 307072324 * 1/2022
CN 307072365 * 1/2022

* cited by examiner

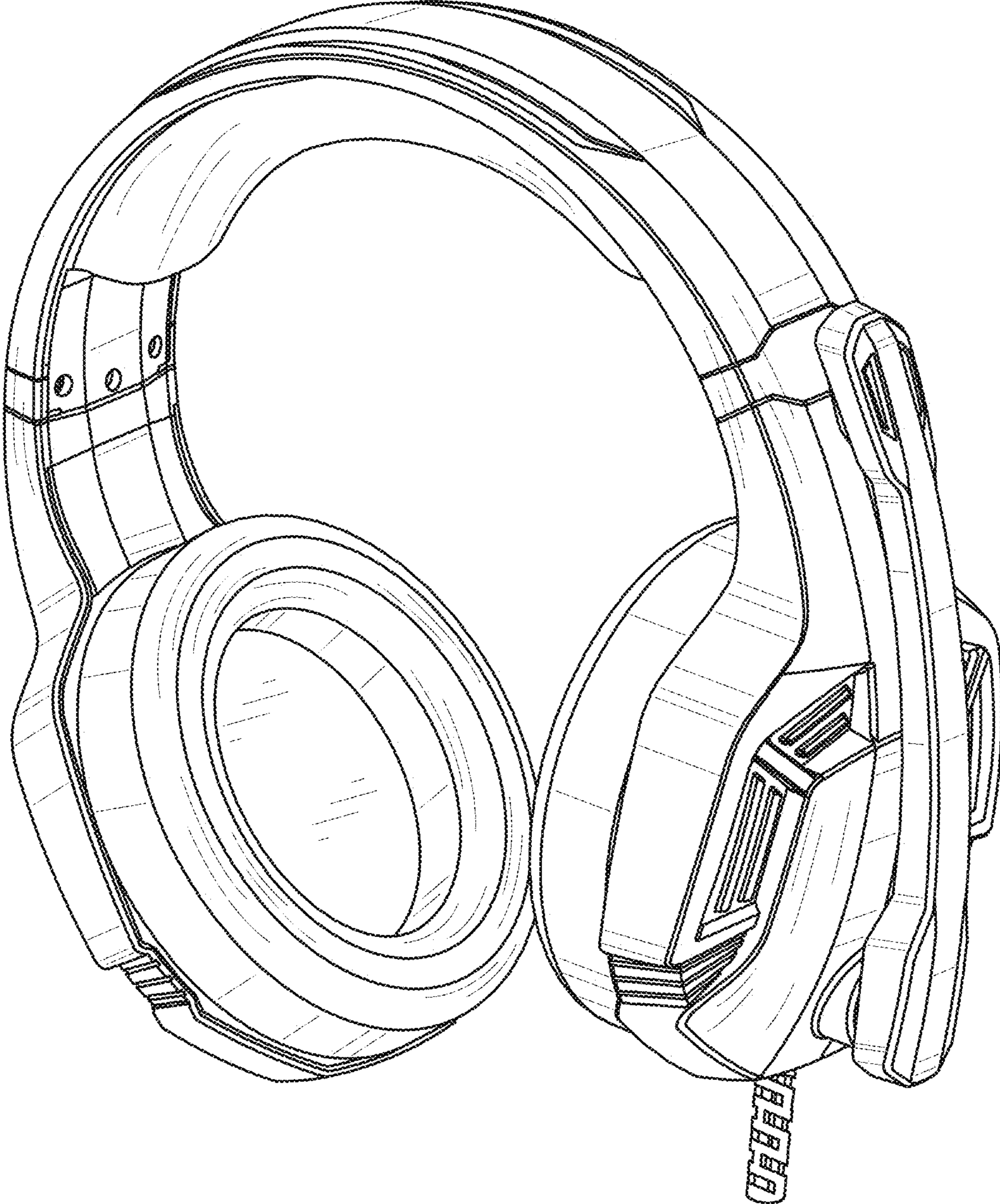


FIG. 1



FIG. 2



FIG. 3



FIG. 4

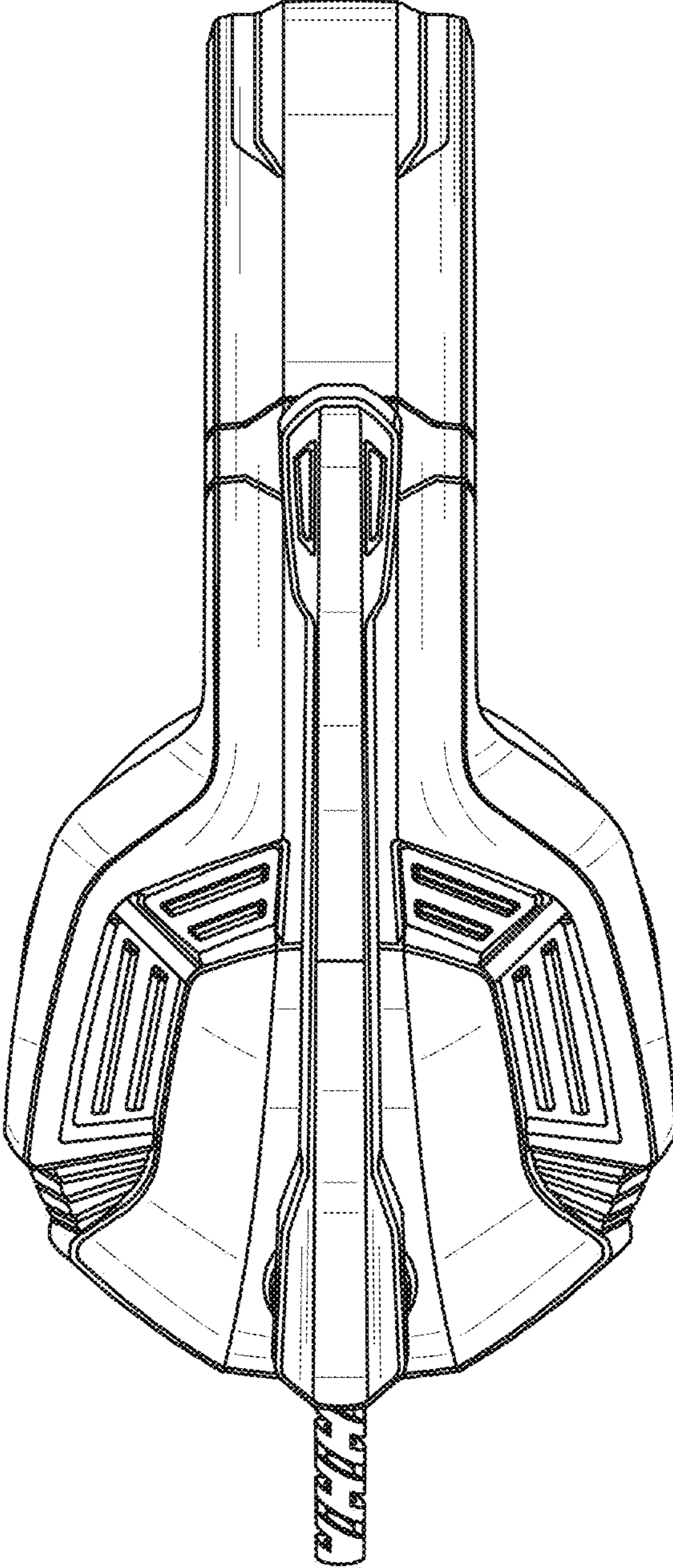


FIG. 5

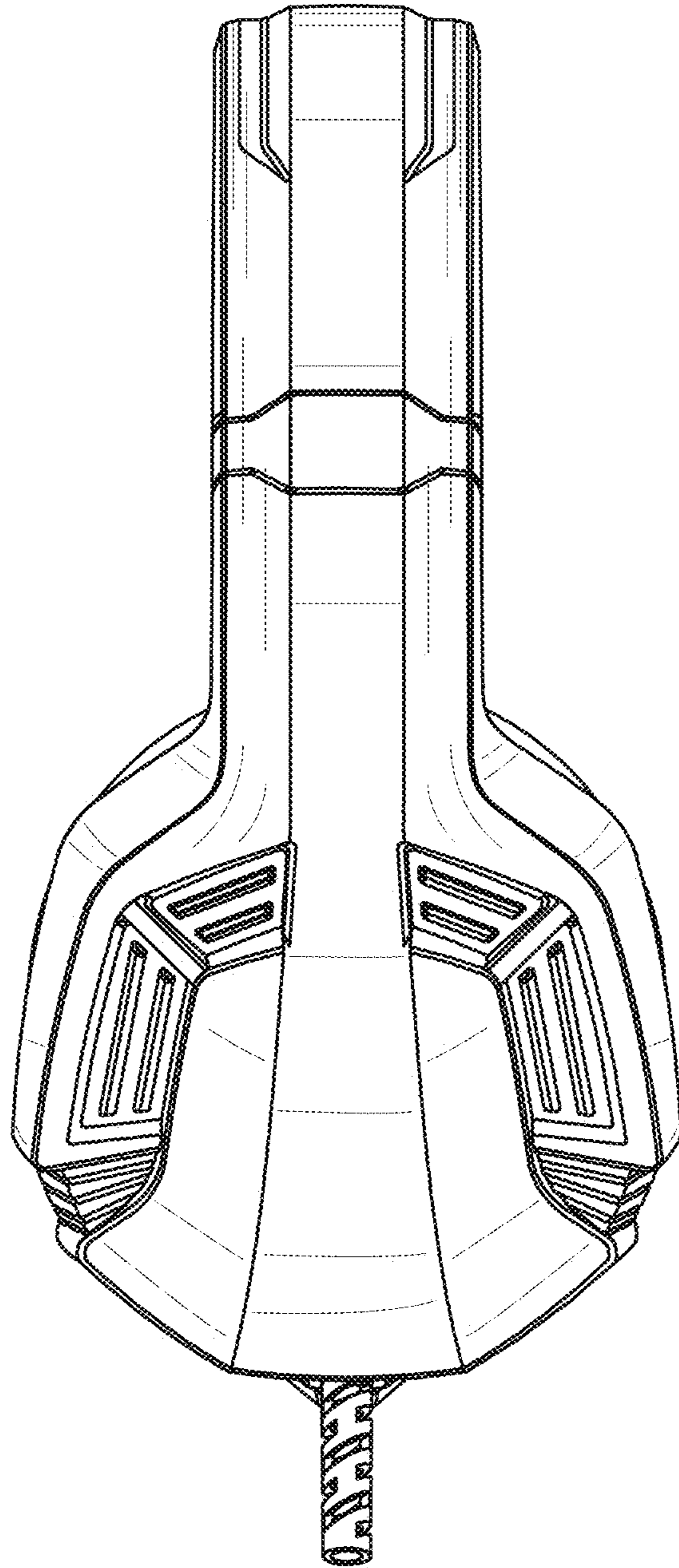


FIG. 6

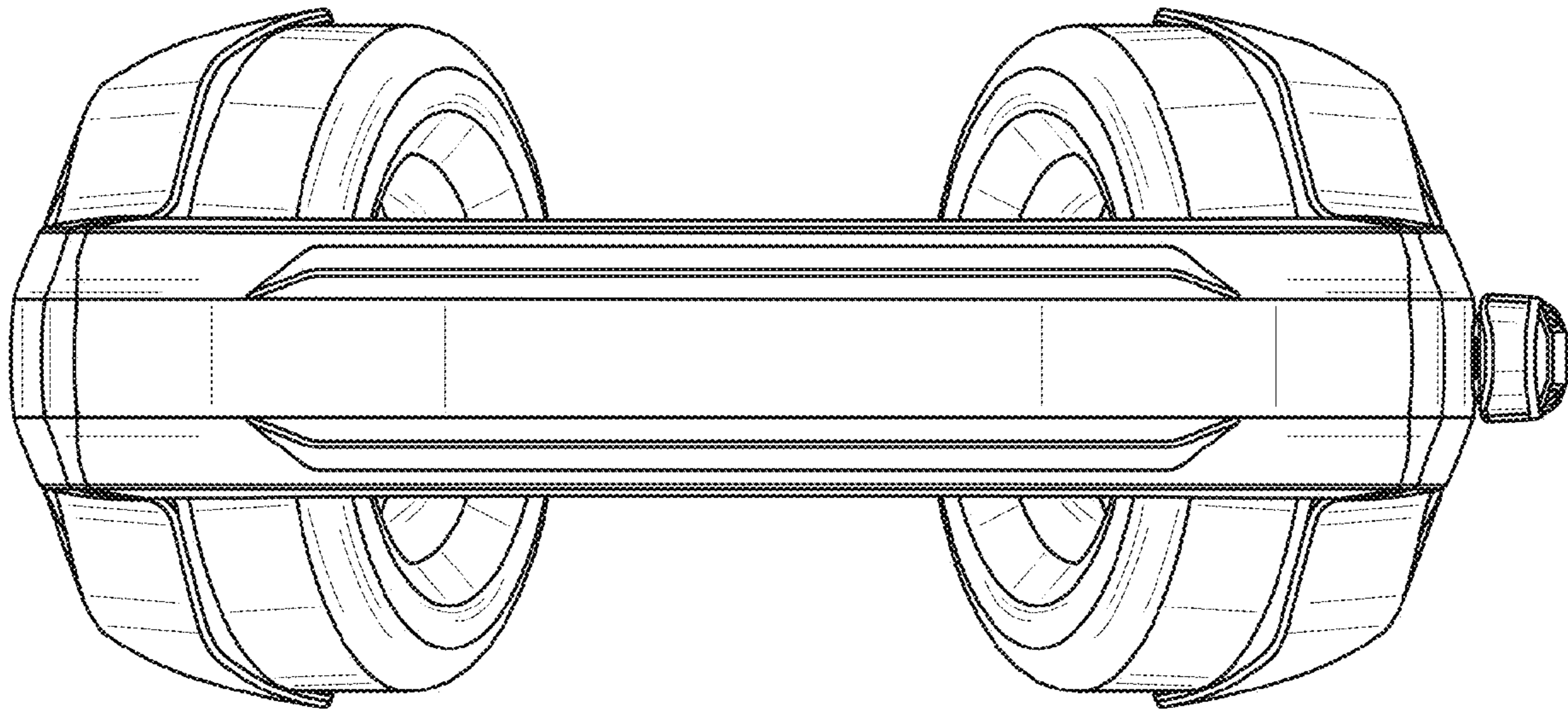


FIG. 7

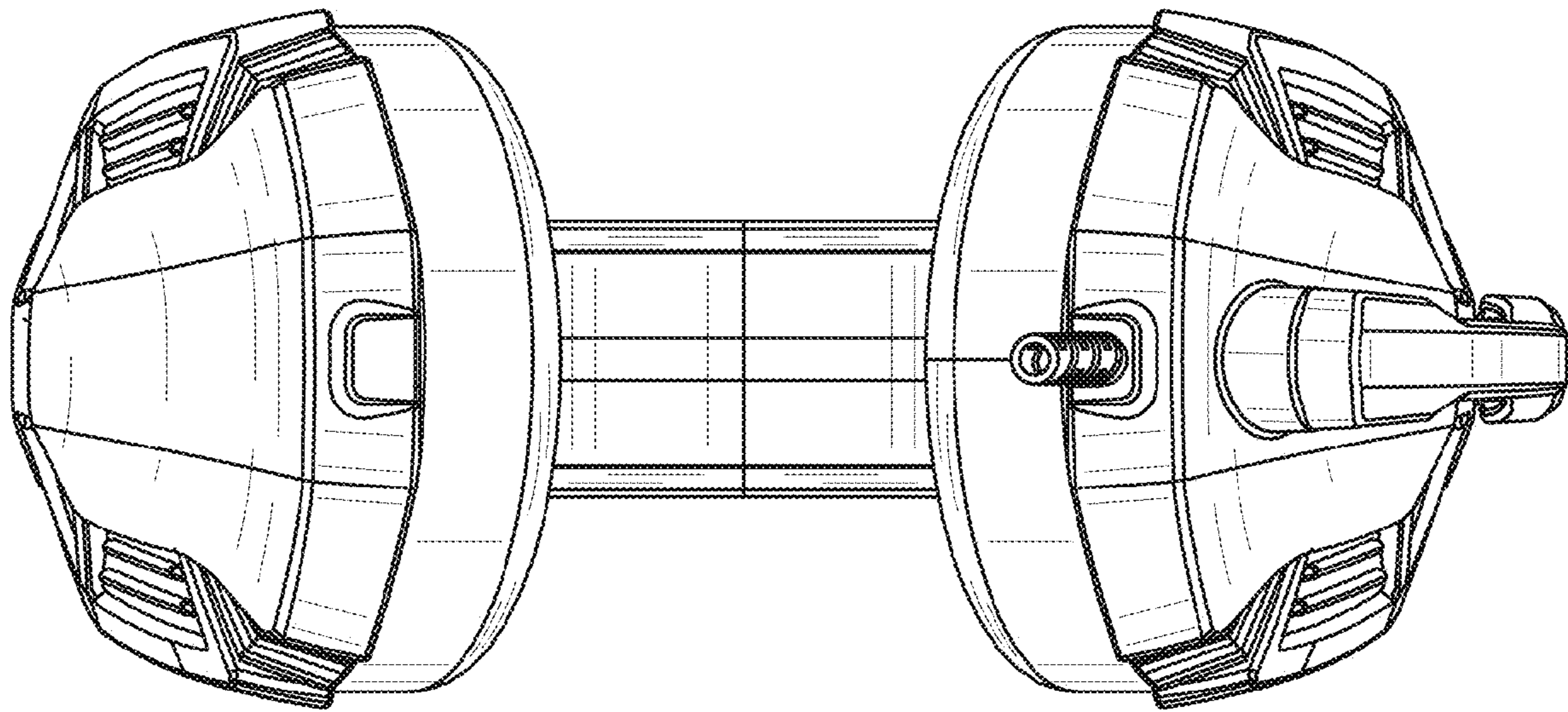


FIG. 8