



US00D949126S

(12) **United States Design Patent**
Shen

(10) **Patent No.:** **US D949,126 S**
(45) **Date of Patent:** **** Apr. 19, 2022**

(54) **HEADSET**

(71) Applicant: **Fuhua Shen**, Shenzhen (CN)

(72) Inventor: **Fuhua Shen**, Shenzhen (CN)

(**) Term: **15 Years**

(21) Appl. No.: **29/785,267**

(22) Filed: **May 25, 2021**

(51) **LOC (13) Cl.** **14-01**

(52) **U.S. Cl.**

USPC **D14/206**; D14/226

(58) **Field of Classification Search**

USPC D14/206, 226, 205, 225; D29/112;
2/209; 381/380, 381, 374, 375;
455/90.3, 575.1, 569.1

CPC H04R 25/00; H04R 25/02; H04R 1/1066;
H04R 1/1016; H04R 5/033; H04R
5/0335; H04R 19/04; H04R 11/04; H04R
1/105; H04R 1/1058; H04R 10/1083;
H04R 1/1091

See application file for complete search history.

(56) **References Cited**

U.S. PATENT DOCUMENTS

- 2,924,672 A * 2/1960 Cagen H04R 1/1066
2/209
- 3,051,961 A * 9/1962 Clark A61F 11/14
181/129
- 3,104,398 A * 9/1963 Palmaer A61F 11/14
D29/112
- D254,616 S * 4/1980 Tabata D14/205
- D317,767 S * 6/1991 Banks D14/206
- 5,068,923 A * 12/1991 Sjoqvist A61F 11/14
181/129
- D403,126 S * 12/1998 Scanlon D29/112
- D403,128 S * 12/1998 Scanlon D29/112
- D411,200 S * 6/1999 Almqvist D29/112
- D413,413 S * 8/1999 Dillon D29/112

- D434,191 S * 11/2000 Emilsson D29/112
- D445,240 S * 7/2001 Persson D2/866
- 6,333,982 B1 * 12/2001 Sapiejewski H04M 1/05
379/430
- D464,469 S * 10/2002 Dix D29/112
- D465,616 S * 11/2002 Nilsson A61F 11/14
D29/112
- D497,608 S * 10/2004 Birgersson D14/205
- D499,216 S * 11/2004 Haglund A61F 11/14
D29/122
- D509,323 S * 9/2005 Emilsson D29/112
- 7,292,704 B2 * 11/2007 Lederer G01R 33/283
600/410
- D616,865 S 6/2010 Marchand et al.
- 7,766,120 B2 * 8/2010 Hansson A61F 11/14
181/129

(Continued)

FOREIGN PATENT DOCUMENTS

- CN 306870854 * 10/2021
- CN 306978974 * 12/2021
- CN 306984771 * 12/2021

Primary Examiner — Paula Allen Greene

(74) *Attorney, Agent, or Firm* — Rumit Ranjit Kanakia

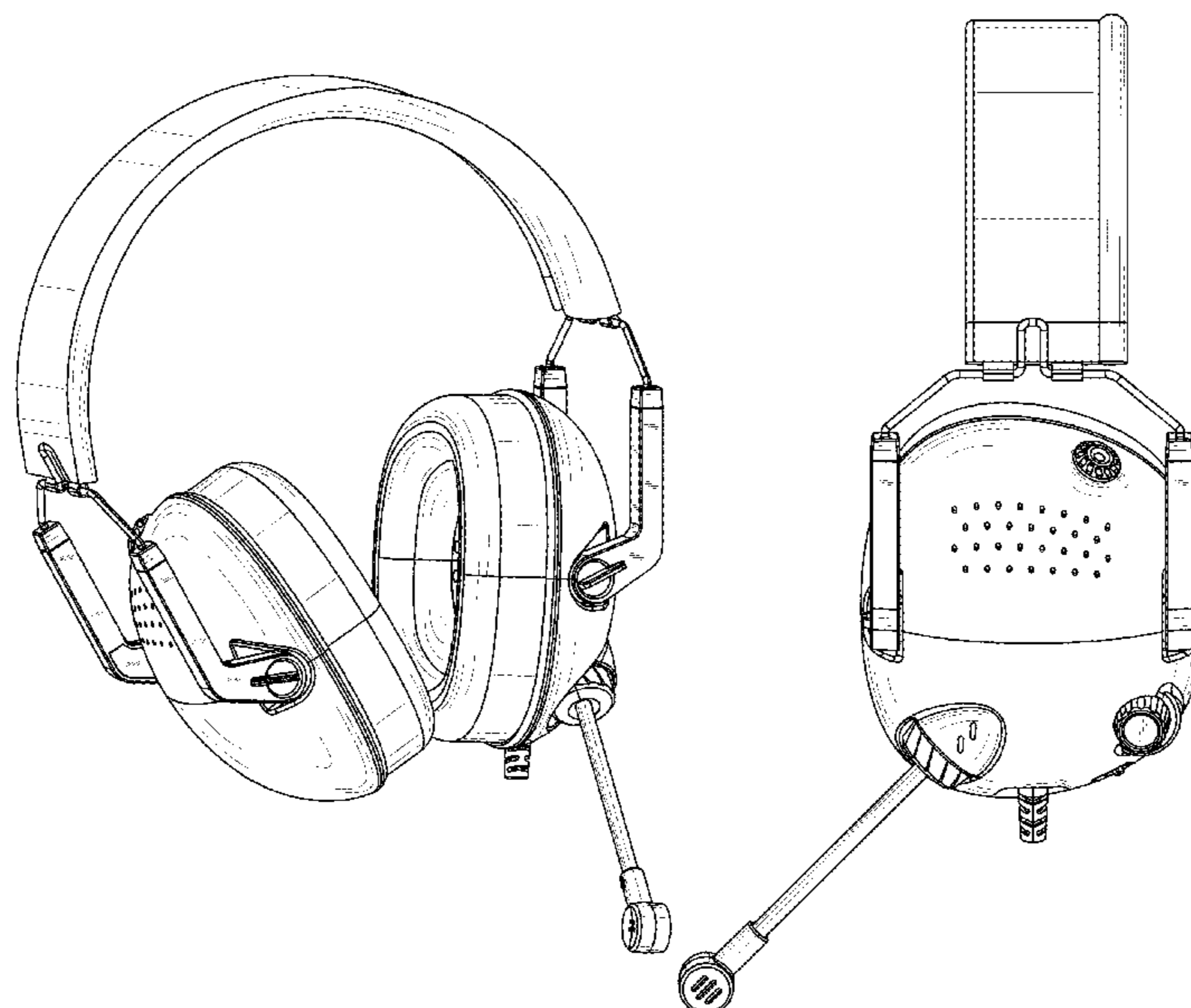
(57) **CLAIM**

I claim the ornamental design for a headset, as shown and described.

DESCRIPTION

FIG. 1 is a Perspective view of a headset showing my new design;
 FIG. 2 is another perspective view thereof;
 FIG. 3 is a Back view thereof;
 FIG. 4 is a Front view thereof;
 FIG. 5 is a Right-side view thereof;
 FIG. 6 is a Left-side view thereof;
 FIG. 7 is a Top view thereof; and,
 FIG. 8 is a Bottom view thereof.

1 Claim, 7 Drawing Sheets



(56)

References Cited

U.S. PATENT DOCUMENTS

D651,764 S *	1/2012	Gresko	A61F 11/14	D29/112
D663,900 S *	7/2012	Karlsson	A61F 11/14	D29/112
D703,183 S *	4/2014	Moriya	H04R 1/1008	D14/206
D713,375 S *	9/2014	Dedinas		D14/206
D716,762 S	11/2014	Greve			
D734,298 S *	7/2015	Tatkon-Coker		D14/206
D735,419 S *	7/2015	Rose		D29/112
D736,475 S *	8/2015	Fletcher		D29/112
D744,171 S *	11/2015	Rose		D29/112
D752,816 S *	3/2016	Fletcher		D29/112
D766,207 S	9/2016	Paterson et al.			
D766,871 S *	9/2016	Winters		D14/206
D790,506 S *	6/2017	Broadley		D14/206
D795,835 S	8/2017	Nagamine et al.			
D805,697 S *	12/2017	Pratley		D29/112
D812,035 S	3/2018	Petersen			
D821,653 S *	6/2018	Pratley		D29/112
D837,763 S *	1/2019	Suzuki		D14/205
D851,839 S *	6/2019	Scanlon		D29/112
D866,515 S *	11/2019	Long		D14/206
D905,001 S *	12/2020	Enqvist		D14/205
D905,659 S *	12/2020	Dubreucq		D14/206
D917,421 S *	4/2021	Zheng		D14/206
D929,365 S *	8/2021	Dubreucq		D14/206
D935,440 S *	11/2021	Liu		D14/206
D937,808 S *	12/2021	Liu		D14/206
D940,099 S *	1/2022	Zheng		D14/206
2010/0040252 A1 *	2/2010	Thompson	H04R 1/083	381/375
2011/0194721 A1 *	8/2011	Schmidt	H04R 1/1066	381/370
2013/0340769 A1 *	12/2013	Roos	A61F 11/14	128/866
2018/0167940 A1 *	6/2018	Kihlberg	H04R 1/1041	
2020/0368071 A1 *	11/2020	Kara	H04R 1/1008	
2021/0186140 A1 *	6/2021	Barber	A42B 3/306	

* cited by examiner



FIG. 1

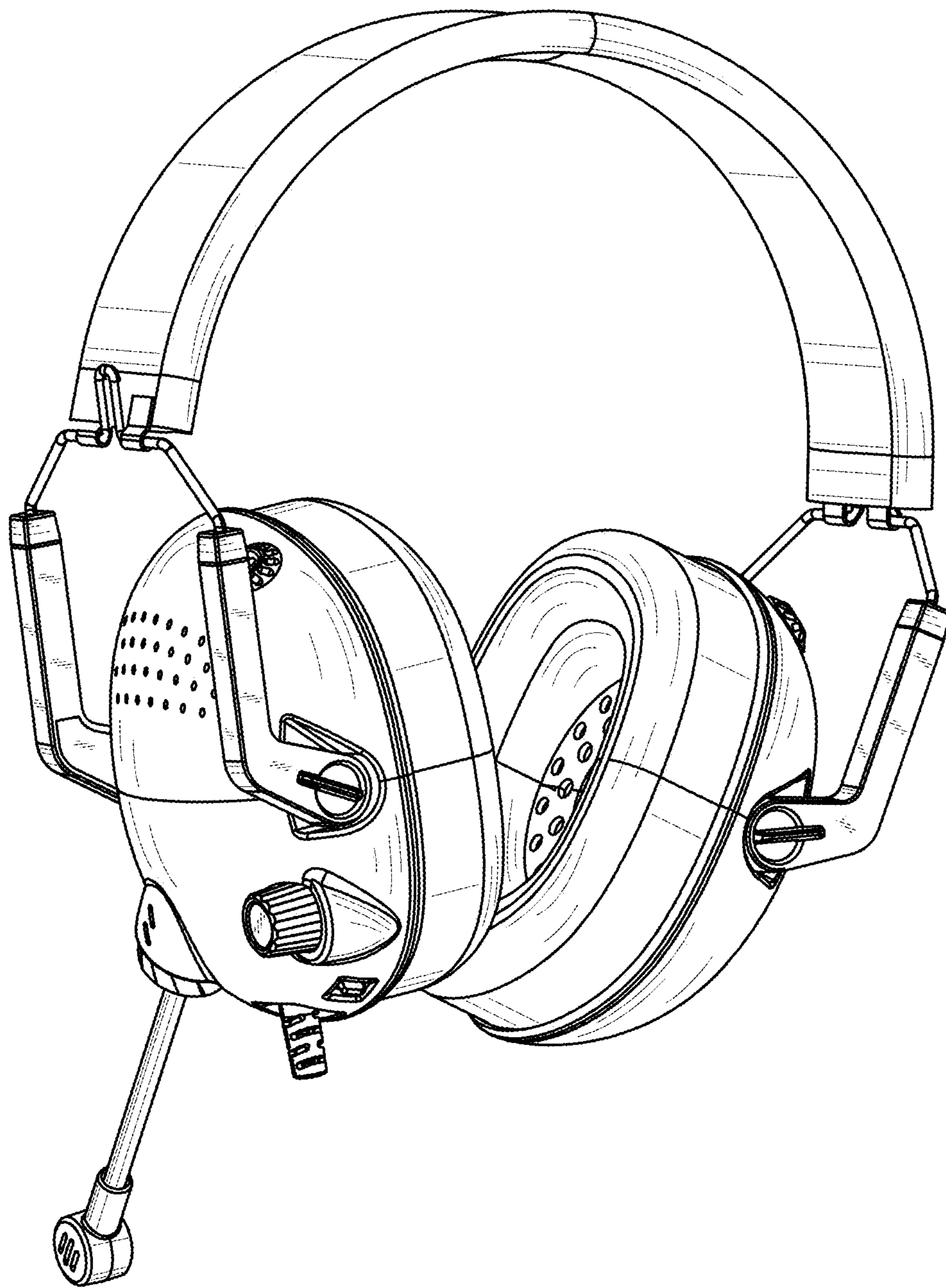


FIG. 2



FIG. 3



FIG. 4

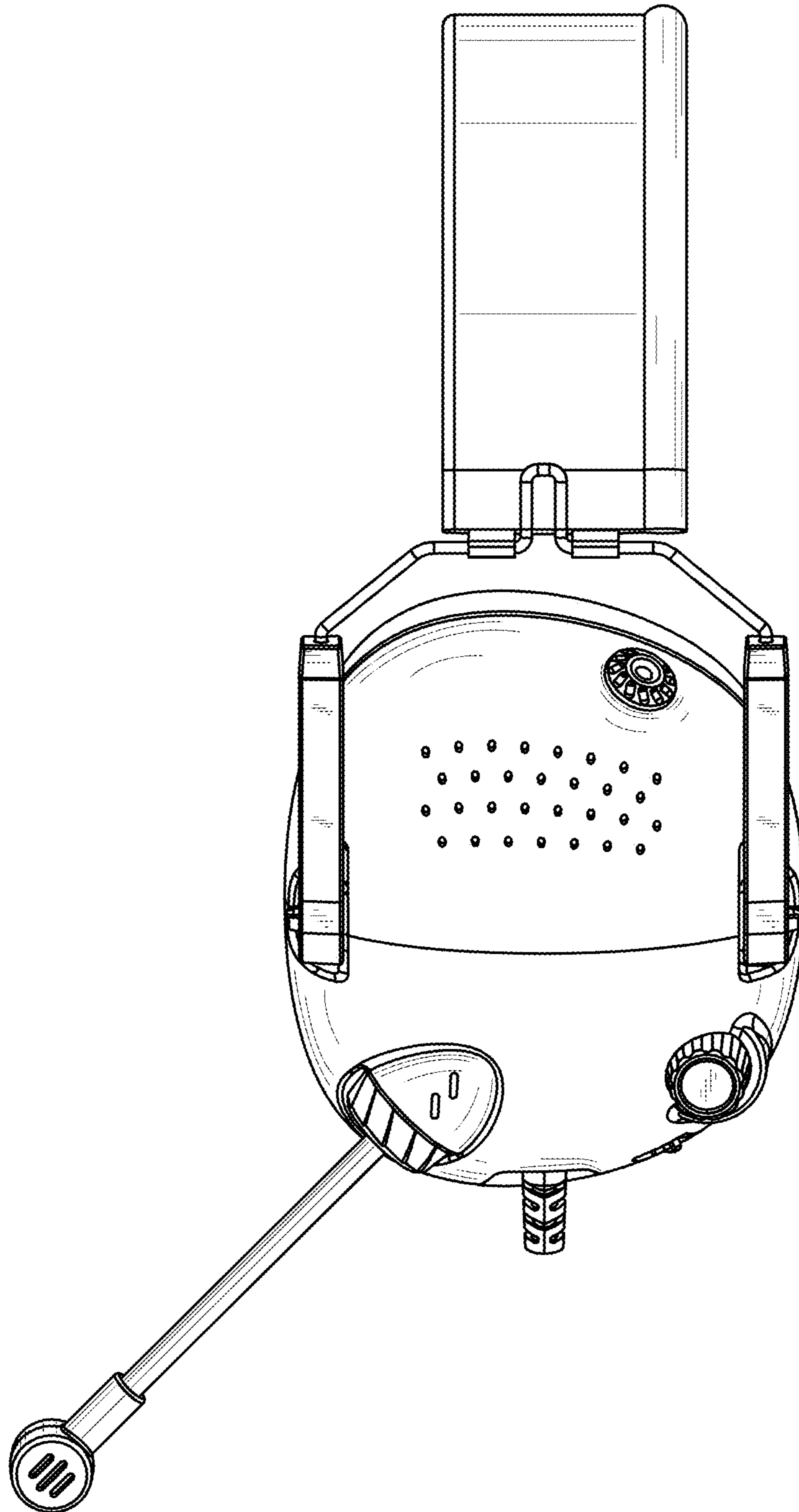


FIG. 5

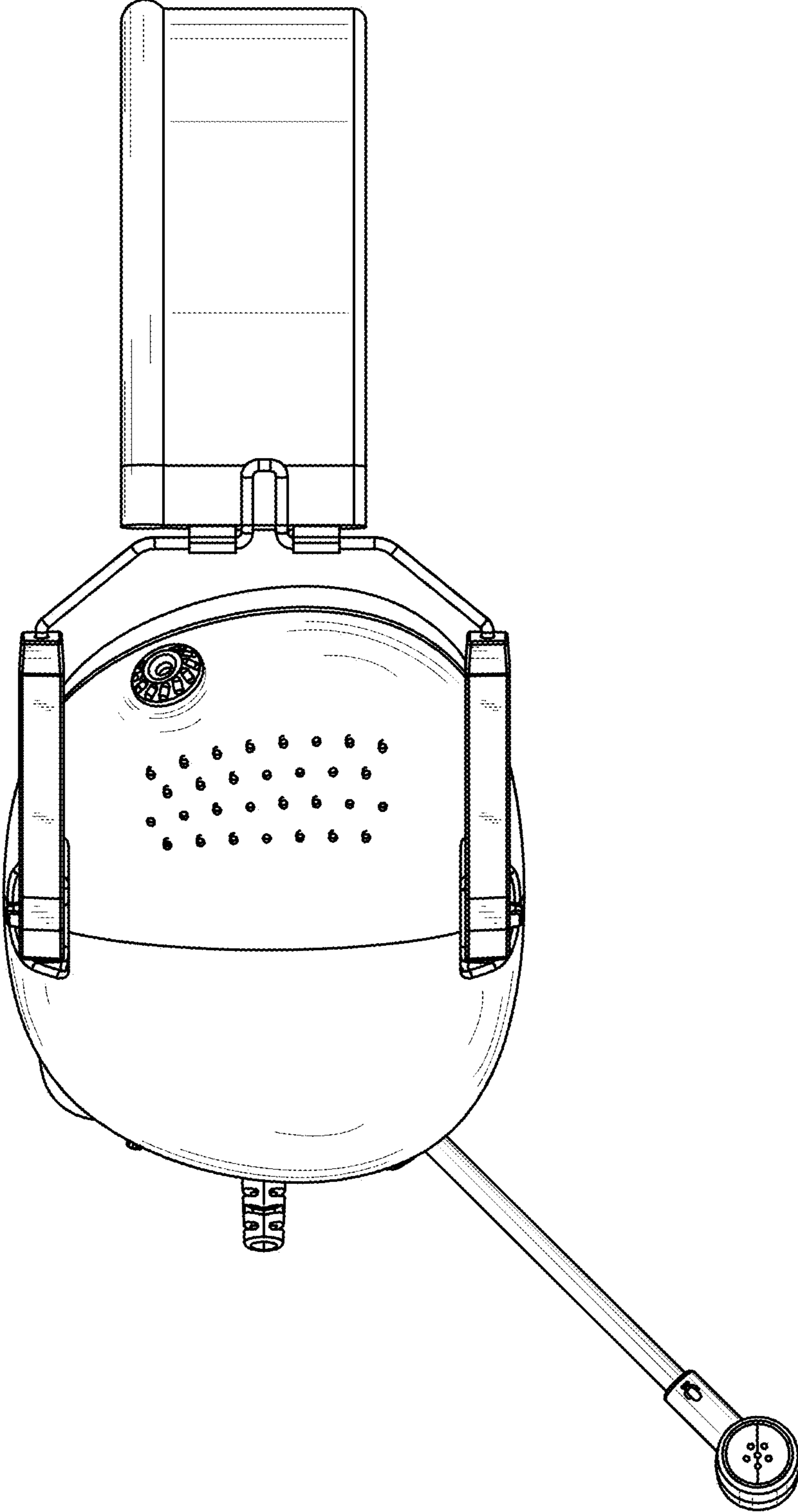


FIG. 6

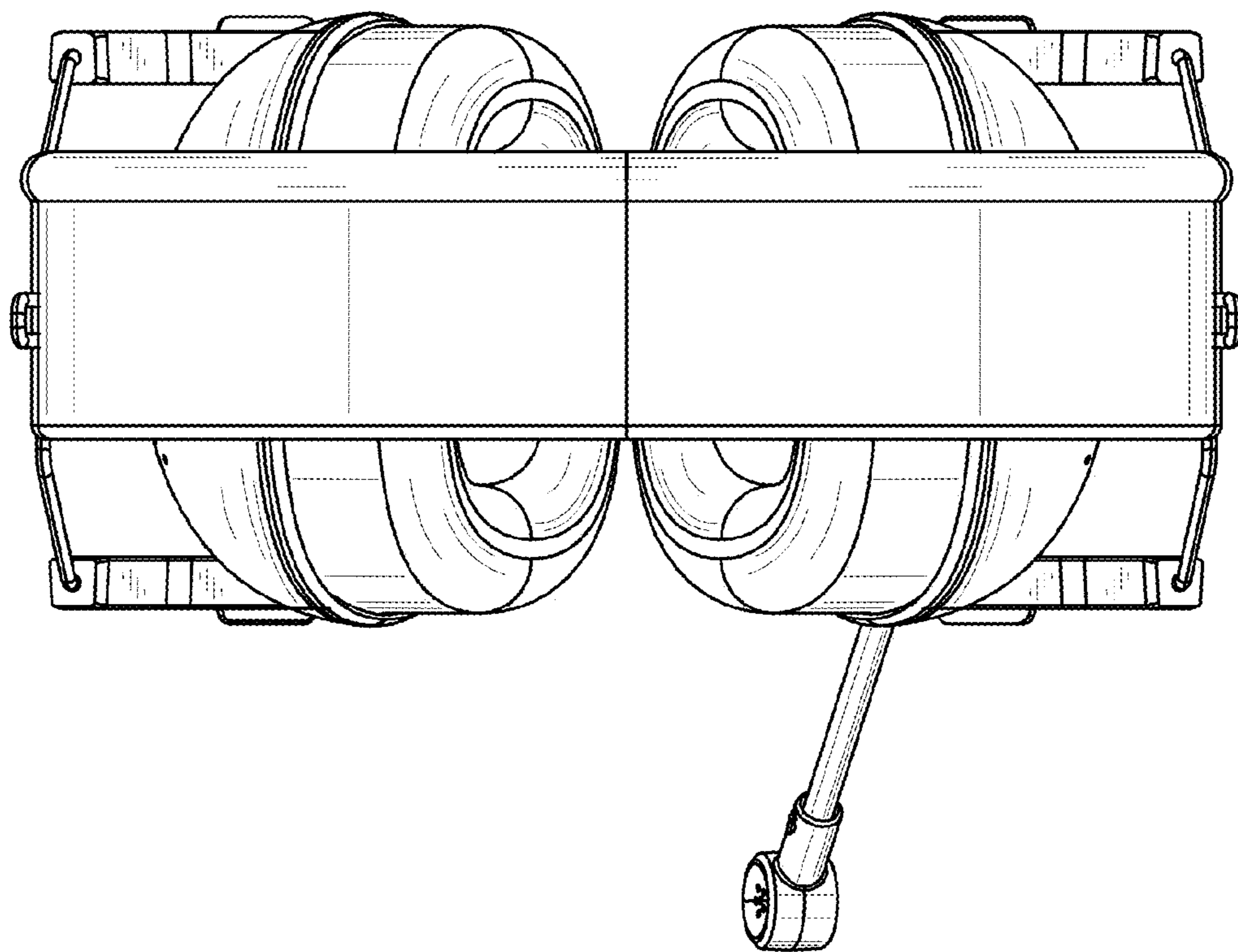


FIG. 7

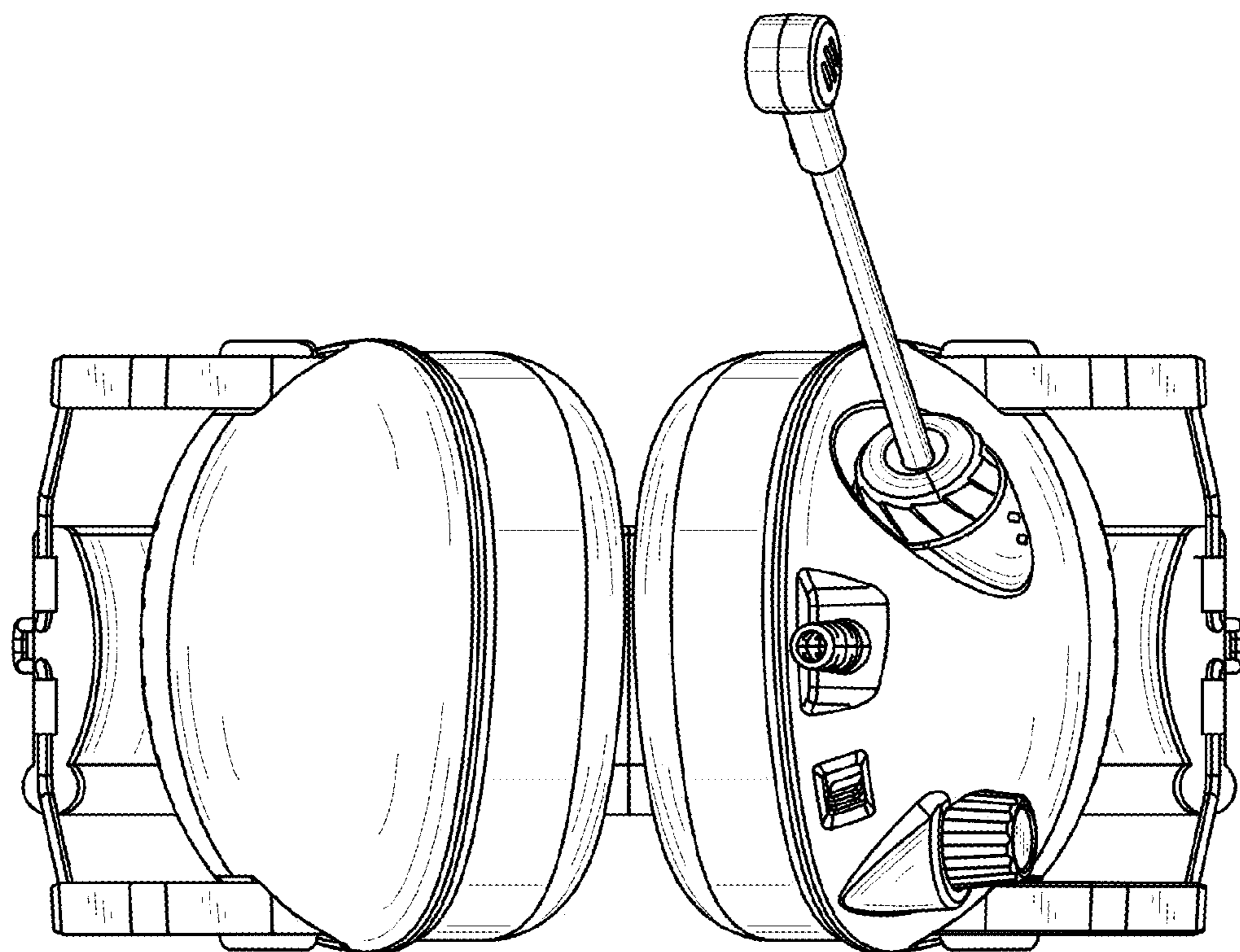


FIG. 8