



US00D949125S

(12) **United States Design Patent**
Liu

(10) **Patent No.:** **US D949,125 S**

(45) **Date of Patent:** **** Apr. 19, 2022**

(54) **HEADPHONES**

(71) Applicant: **Ming Liu, Ji'an (CN)**

(72) Inventor: **Ming Liu, Ji'an (CN)**

(**) Term: **15 Years**

(21) Appl. No.: **29/743,126**

(22) Filed: **Jul. 19, 2020**

(51) **LOC (13) Cl.** **14-01**

(52) **U.S. Cl.**
USPC **D14/206; D14/226**

(58) **Field of Classification Search**
USPC D14/206, 226, 205, 225, 188, 192, 219,
D14/214; D29/112; 2/209; 381/380,
381/381, 374; 455/90.3, 575.1, 569.1;
D25/153, 156
CPC H04R 25/00; H04R 25/02; H04R 1/1016;
H04R 1/1066; H04R 5/033; H04R
5/0335; H04R 1/1008; H04R 19/04;
H04R 11/04; G02B 27/017; G09G 5/00
See application file for complete search history.

(56) **References Cited**

U.S. PATENT DOCUMENTS

- 1,076,017 A * 10/1913 Chase E04C 2/427
52/180
- 2,958,608 A * 11/1960 Barnard D06C 23/00
428/179
- D215,587 S * 10/1969 Bogan, Jr. D25/155
- D246,519 S * 11/1977 Kato D14/205
- 4,420,657 A * 12/1983 Larkin H04M 1/05
381/189
- D327,748 S * 7/1992 Dorfman, Jr. D25/156
- D410,466 S * 6/1999 Mouri D14/205
- D420,356 S * 2/2000 Suzuki D14/205
- 6,081,604 A * 6/2000 Hikichi H04R 5/0335
381/124
- D435,249 S * 12/2000 Yasutomi D14/205

- D467,580 S * 12/2002 Mori D14/223
- 7,106,873 B1 * 9/2006 Harrison H04R 25/48
381/381
- D567,215 S * 4/2008 Lee D14/205
- 7,388,960 B2 * 6/2008 Kuo H04R 5/02
381/384
- D604,266 S * 11/2009 Milde D14/205
- D613,266 S * 4/2010 Barry D14/205
- D691,111 S * 10/2013 Lee D14/206
- D695,261 S * 12/2013 Katsumata D14/205
- D713,375 S * 9/2014 Dedinas D14/206
- D725,074 S * 3/2015 Boeckel D14/205
- D728,512 S * 5/2015 Nakagawa D14/205

(Continued)

FOREIGN PATENT DOCUMENTS

- CN 304727020 * 7/2018
- CN 306847135 * 9/2021

(Continued)

Primary Examiner — Paula Allen Greene

(57) **CLAIM**

The ornamental design for headphones, as shown and described.

DESCRIPTION

FIG. 1 is a perspective view of headphones showing my new design;
 FIG. 2 is another perspective view thereof;
 FIG. 3 is a front elevational view thereof;
 FIG. 4 is a rear elevational view thereof;
 FIG. 5 is a left side elevational view thereof;
 FIG. 6 is a right side elevational view thereof;
 FIG. 7 is a top plan view thereof;
 FIG. 8 is a bottom plan view thereof; and,
 FIG. 9 is an enlarged partial view taken from a lower portion of the headphones shown in FIG. 5.
 The broken lines in the drawings depict portions of the headphones that form no part of the claimed design.

1 Claim, 9 Drawing Sheets

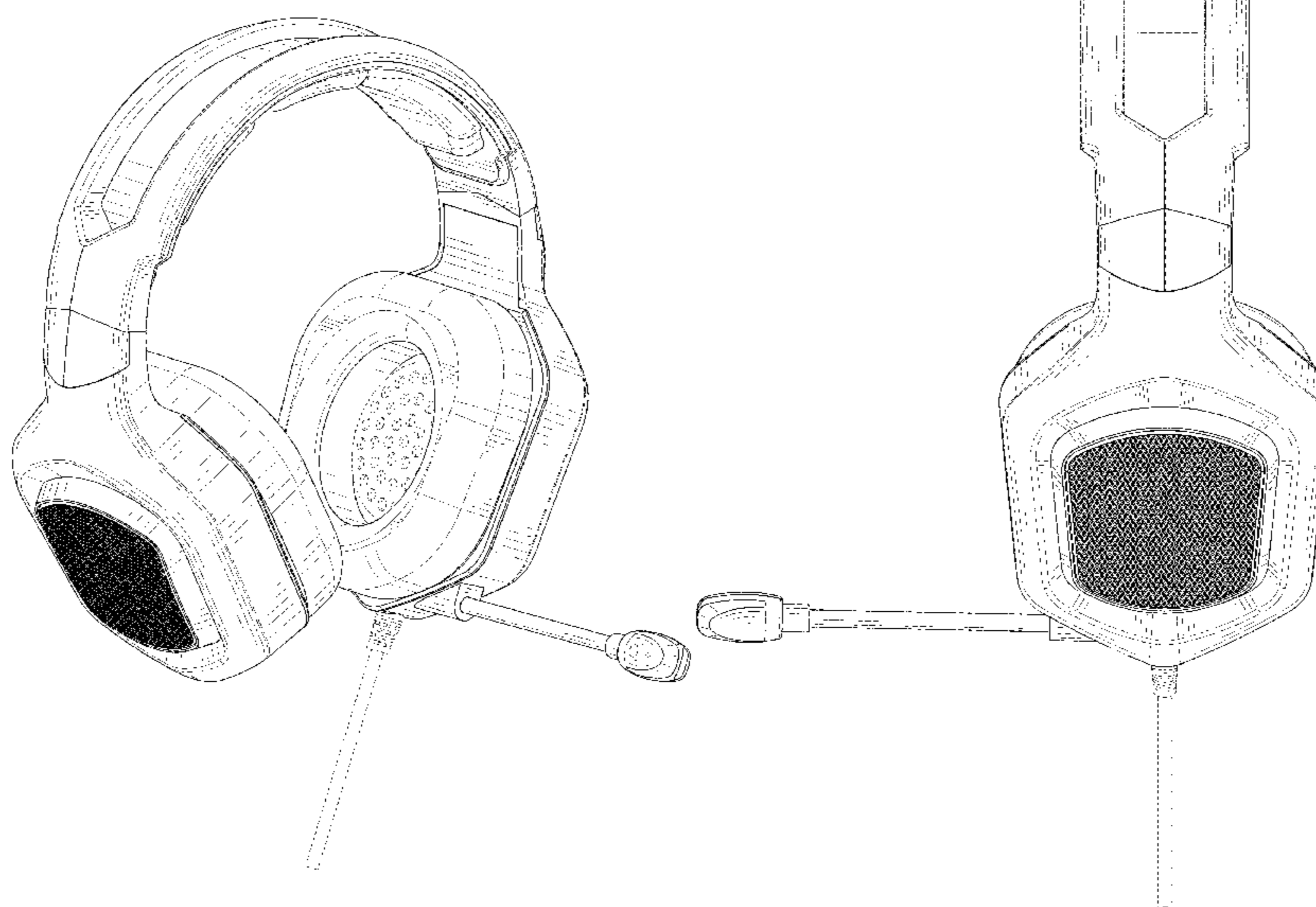




FIG. 1



FIG. 2



FIG. 3



FIG. 4

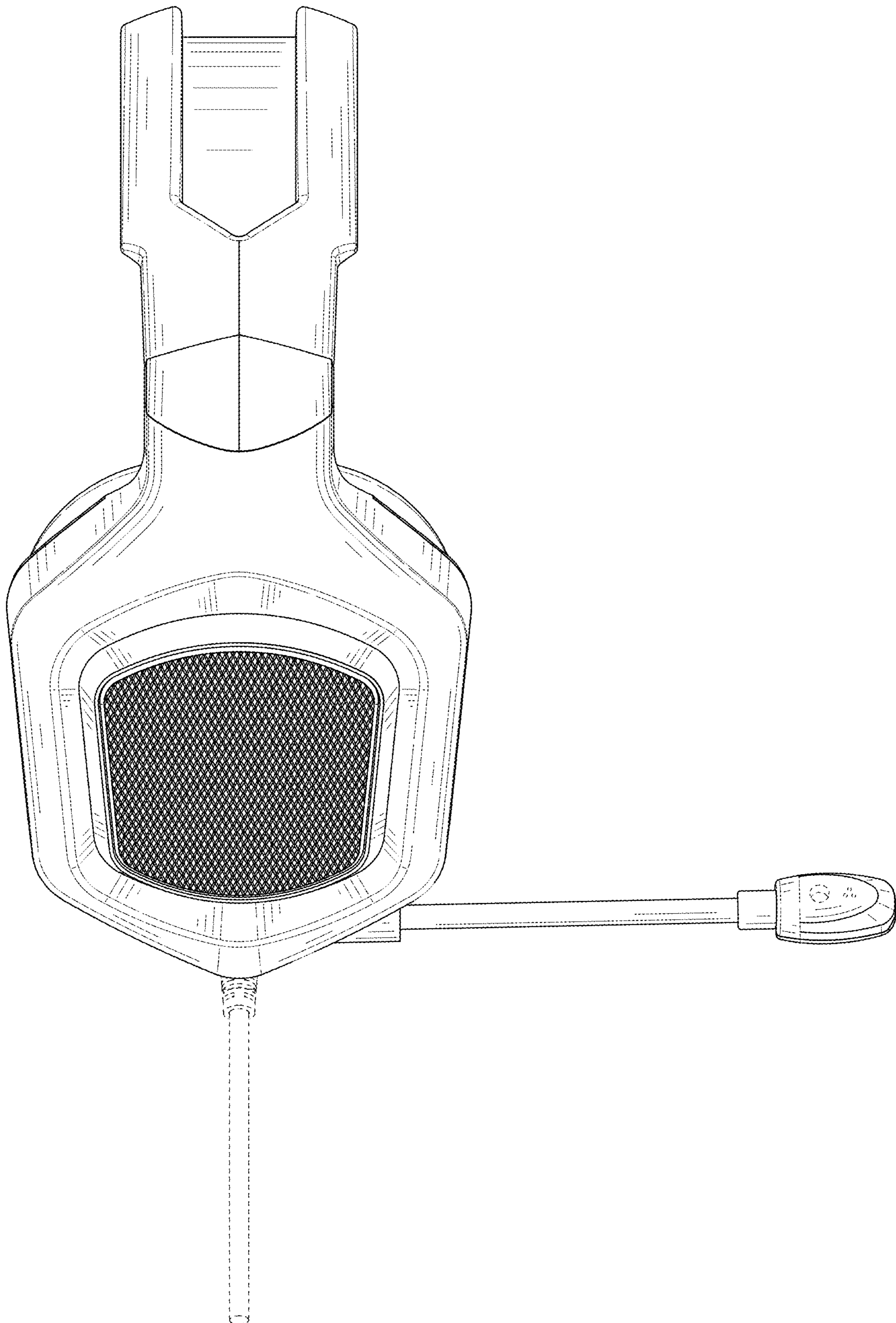


FIG. 5

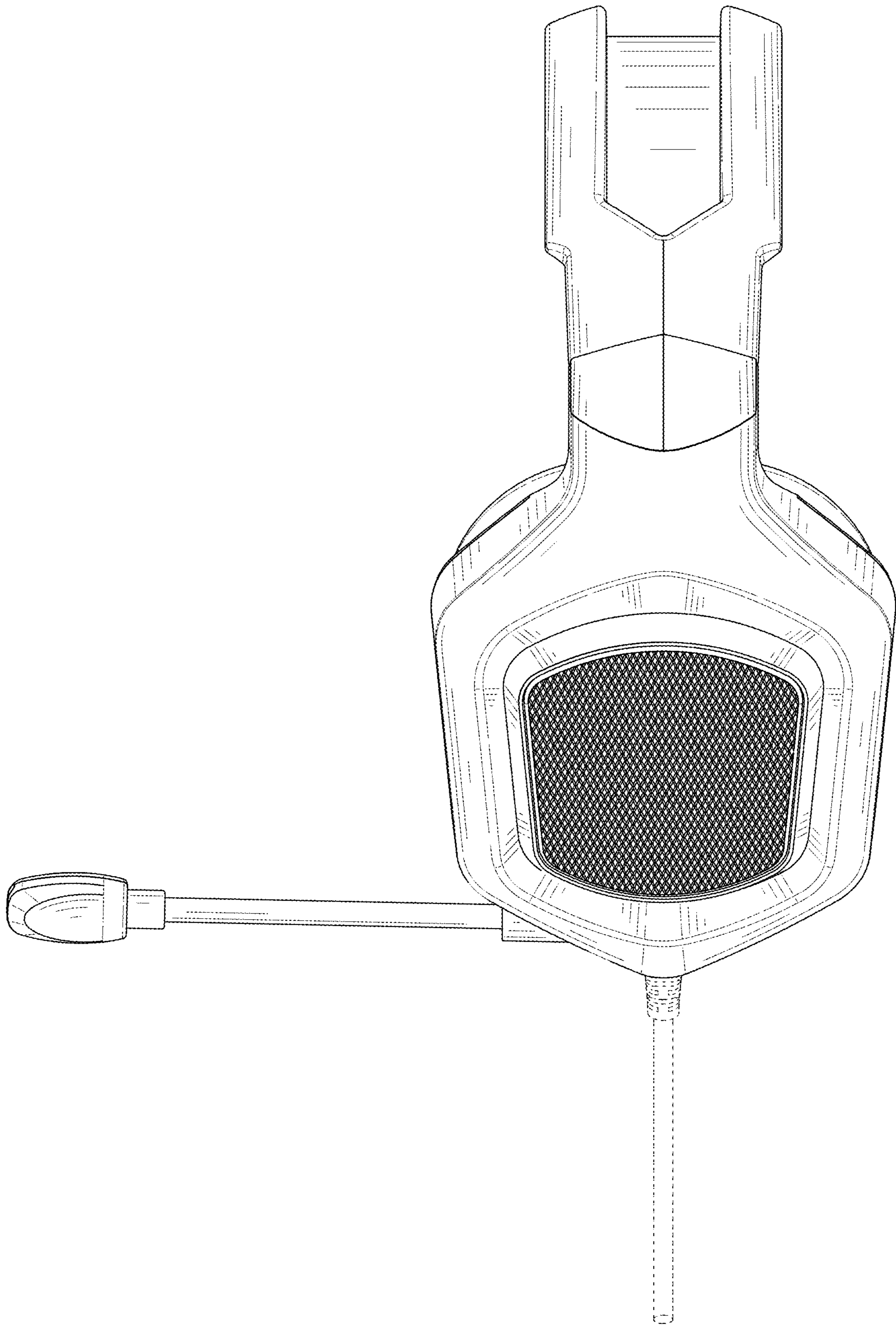


FIG. 6

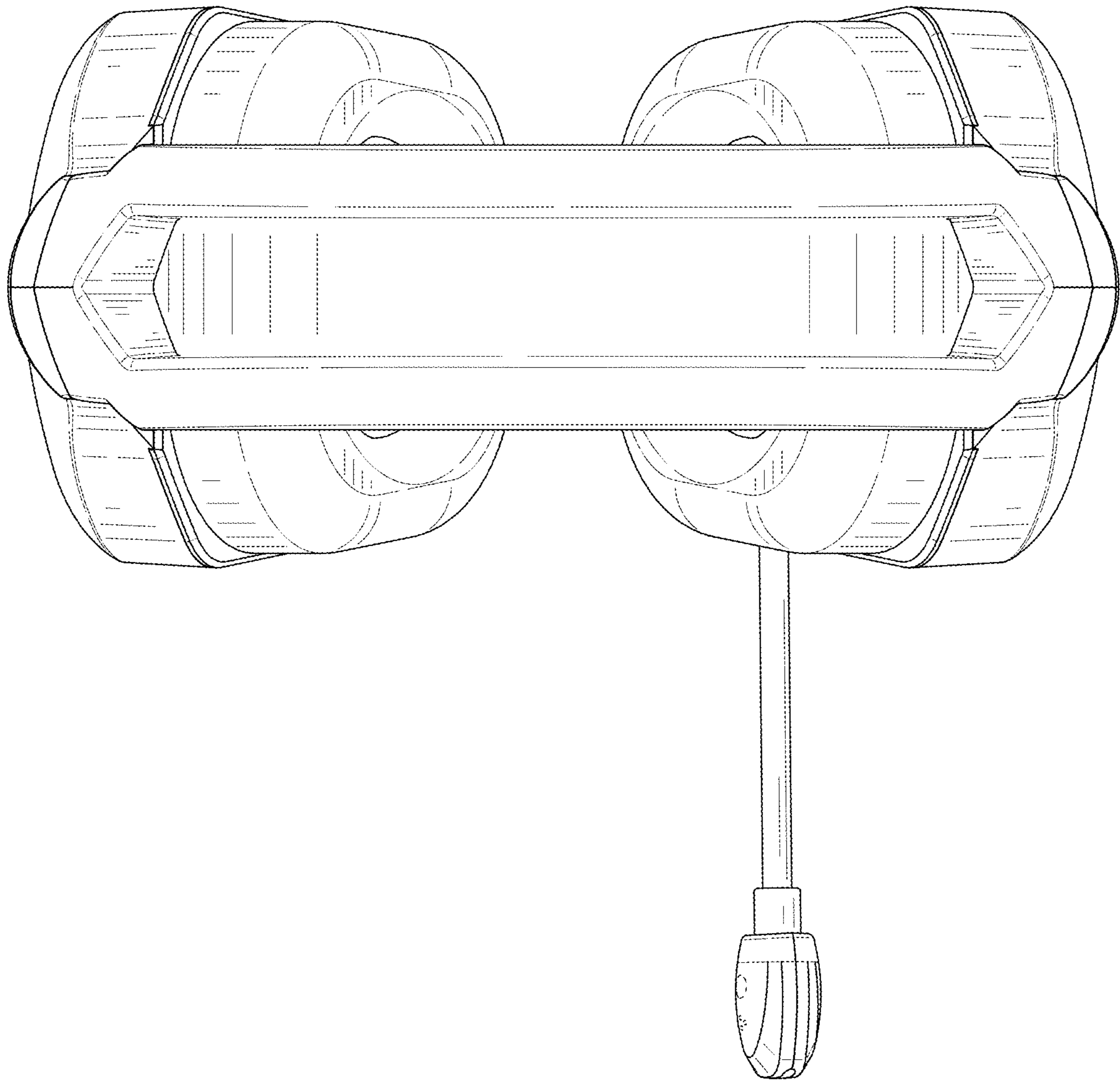


FIG. 7

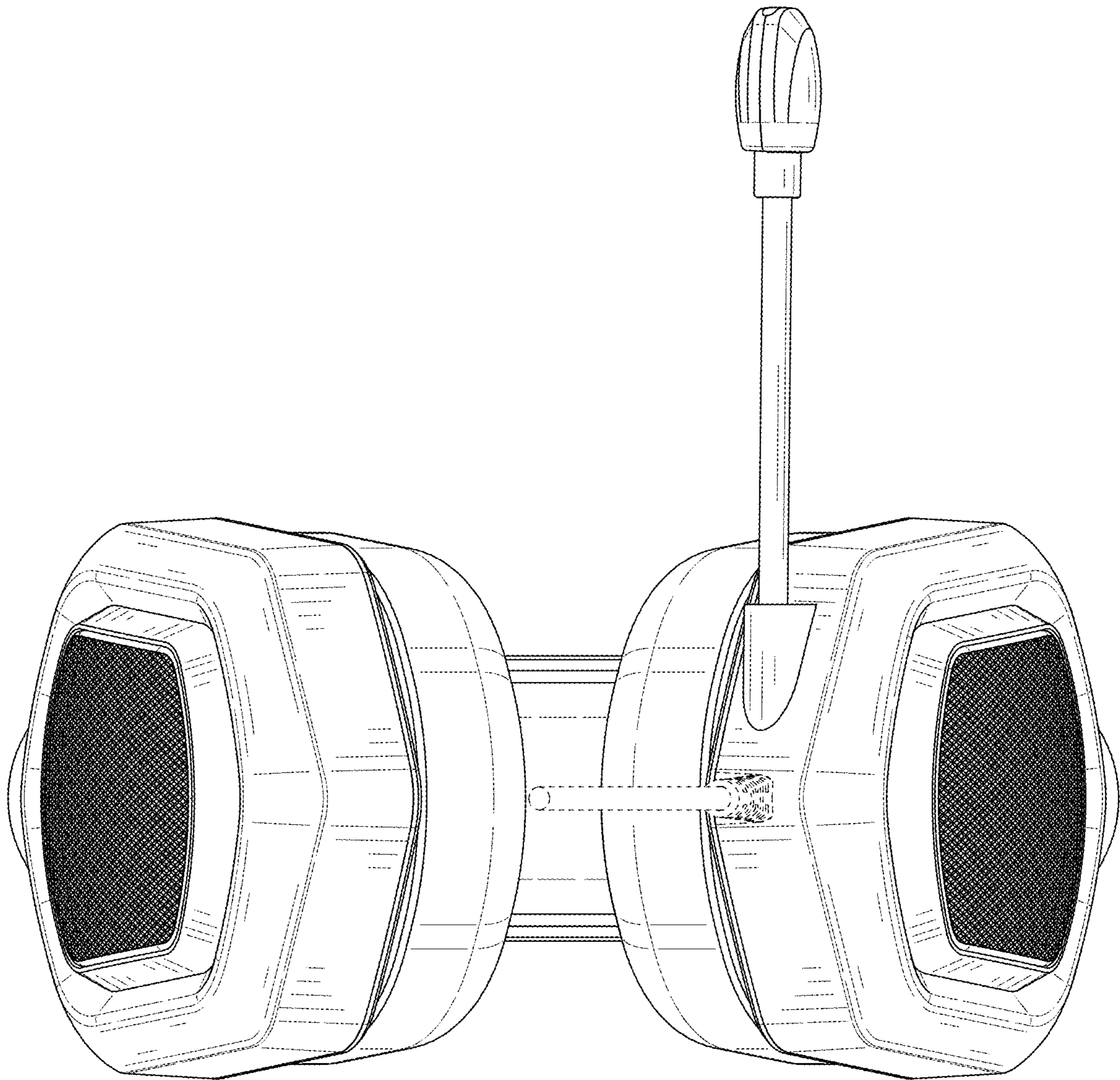


FIG. 8

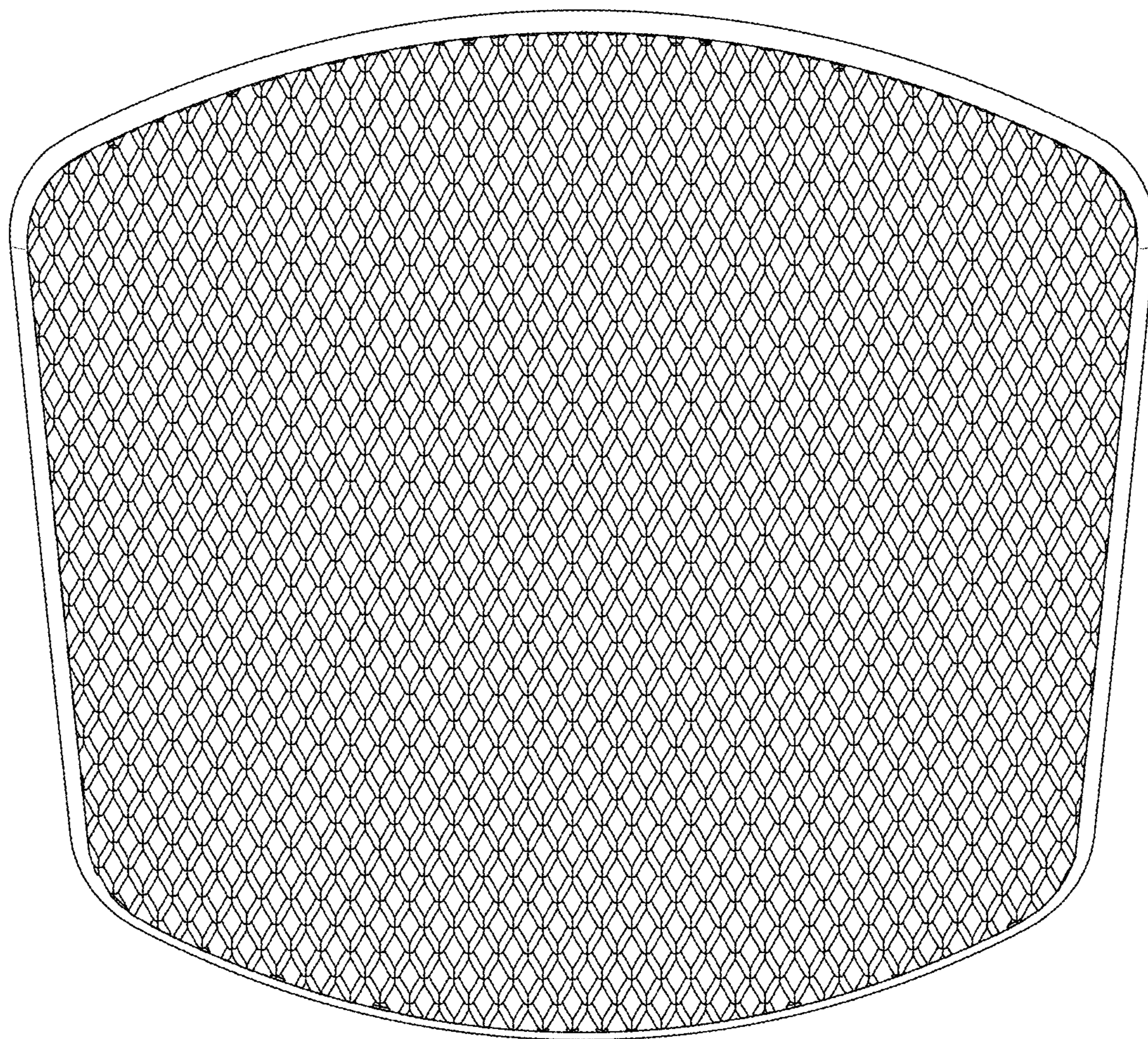


FIG. 9