



US00D949124S

(12) **United States Design Patent** (10) **Patent No.:** **US D949,124 S**
Zhang et al. (45) **Date of Patent:** **** Apr. 19, 2022**

(54) **SMART SPEAKER**

(56) **References Cited**

(71) Applicant: **Comcast Cable Communications, LLC**, Philadelphia, PA (US)

U.S. PATENT DOCUMENTS

(72) Inventors: **Zhe Zhang**, Wood Ridge, NJ (US);
Henry Homza, Philadelphia, PA (US);
Michael Jou, Philadelphia, PA (US);
Neil Epstein, Bryn Mawr, PA (US);
Fraser Stirling, Bryn Mawr, PA (US);
Thomas Loretan, Philadelphia, PA (US)

D357,685 S 4/1995 Reardon et al.
D599,379 S 9/2009 Ryu et al.
D654,866 S 2/2012 Rautiainen
D723,461 S 3/2015 Chen
D742,824 S 11/2015 Hsu
D782,430 S 3/2017 Tam
D786,789 S 5/2017 Jordan et al.
D790,460 S 6/2017 Hibmacronan et al.
D794,598 S 8/2017 Clerc
D800,081 S 10/2017 Koo et al.
D808,389 S 1/2018 Judge et al.
D834,565 S 11/2018 Sarrasin et al.
D847,106 S 4/2019 Koo et al.
D850,627 S 6/2019 Purani et al.

(73) Assignee: **Comcast Cable Communications, LLC**, Philadelphia, PA (US)

(Continued)

(**) Term: **15 Years**

Primary Examiner — Rebekah A Caruso

(21) Appl. No.: **29/788,561**

(74) *Attorney, Agent, or Firm* — BakerHostetler

(22) Filed: **Jun. 23, 2021**

(57) **CLAIM**

The ornamental design for a smart speaker, as shown and described.

Related U.S. Application Data

DESCRIPTION

(63) Continuation of application No. 29/666,903, filed on Oct. 17, 2018, now Pat. No. Des. 934,193.

(51) **LOC (13) Cl.** **14-01**

(52) **U.S. Cl.**
USPC **D14/204**

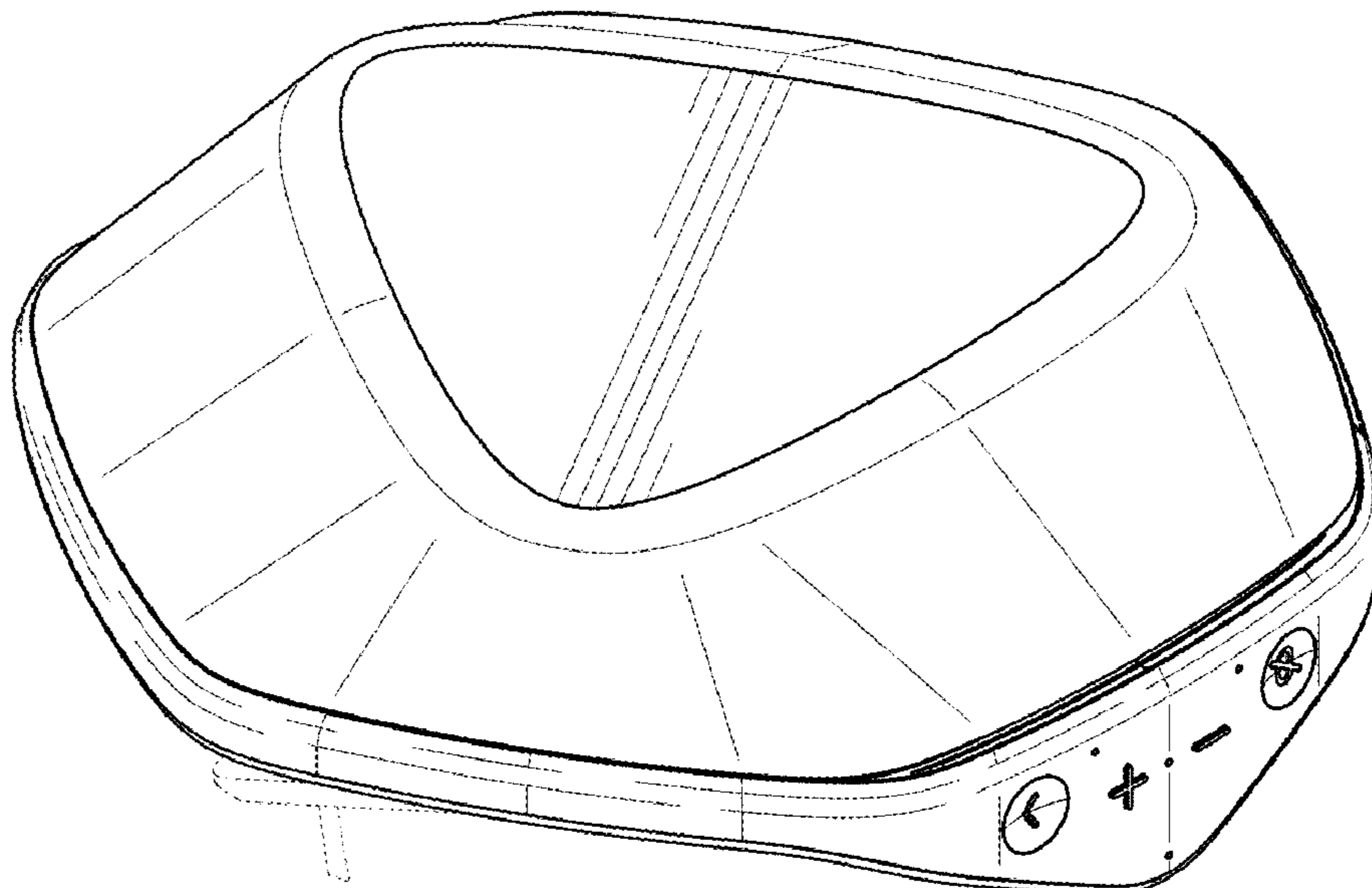
(58) **Field of Classification Search**

USPC D14/125, 137, 155, 167, 168, 172, 188,
D14/203.1, 203.3, 203.4, 204, 209, 210,
D14/212, 217, 218, 240, 265, 314, 348,
D14/356–359, 432, 433, 496, 203.5,
D14/203.7, 203.8, 242, 341, 344;
D13/108, 110; D3/218
CPC H04R 1/02; H04R 1/021; H04R 1/025;
H04R 1/026; H04R 9/06; H04R 2400/00;
H04N 5/50; H04N 5/64; G06F 3/16;
G10K 15/04

FIG. 1 is a top perspective view of a smart speaker according to the present disclosure;
FIG. 2 is a bottom perspective view of the smart speaker of FIG. 1;
FIG. 3 is a front view of the smart speaker of FIG. 1;
FIG. 4 is a rear view of the smart speaker of FIG. 1;
FIG. 5 is a top view of the smart speaker of FIG. 1;
FIG. 6 is a bottom view of the smart speaker of FIG. 1;
FIG. 7 is a right side view of the smart speaker of FIG. 1; and,
FIG. 8 is a left side view of the smart speaker of FIG. 1.
The broken line portion of the drawings is included to show subject matter that forms no part of the claimed design.

See application file for complete search history.

1 Claim, 4 Drawing Sheets



(56)

References Cited

U.S. PATENT DOCUMENTS

| | | | | |
|------------|------|---------|-----------------|-------------|
| D854,518 | S | 7/2019 | Zhang et al. | |
| 10,367,317 | B1 * | 7/2019 | Rahner | H01R 13/506 |
| D860,937 | S | 9/2019 | Slaatto | |
| D883,294 | S | 5/2020 | Xie | |
| D889,449 | S | 7/2020 | Abellera et al. | |
| 10,743,093 | B2 | 8/2020 | Nakatsukasa | |
| D924,214 | S * | 7/2021 | Homza | D14/240 |
| D924,215 | S * | 7/2021 | Homza | D14/240 |
| D926,687 | S * | 8/2021 | Helgeson | D13/110 |
| D934,193 | S * | 10/2021 | Zhang | D14/204 |

* cited by examiner

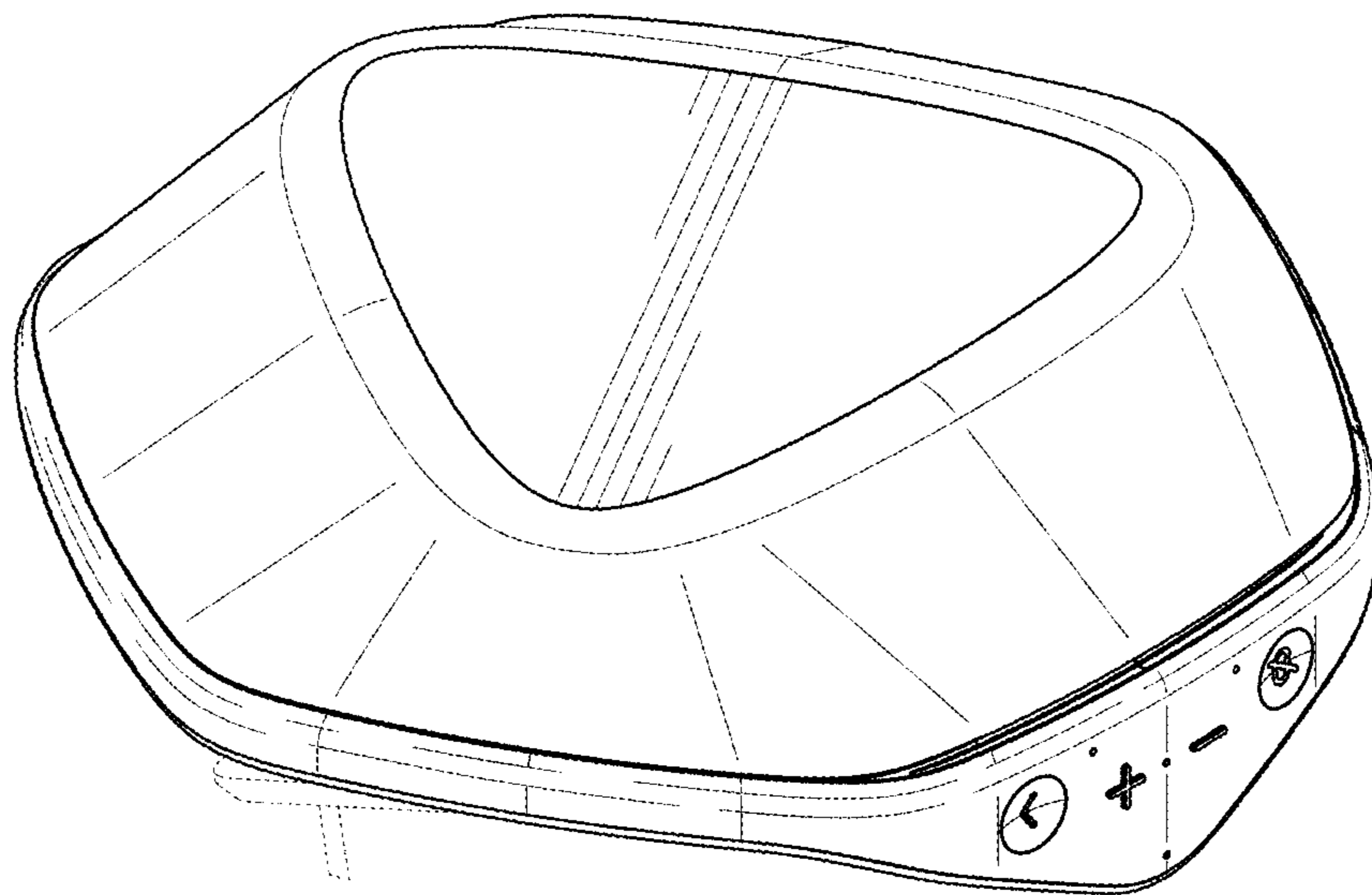


FIG. 1

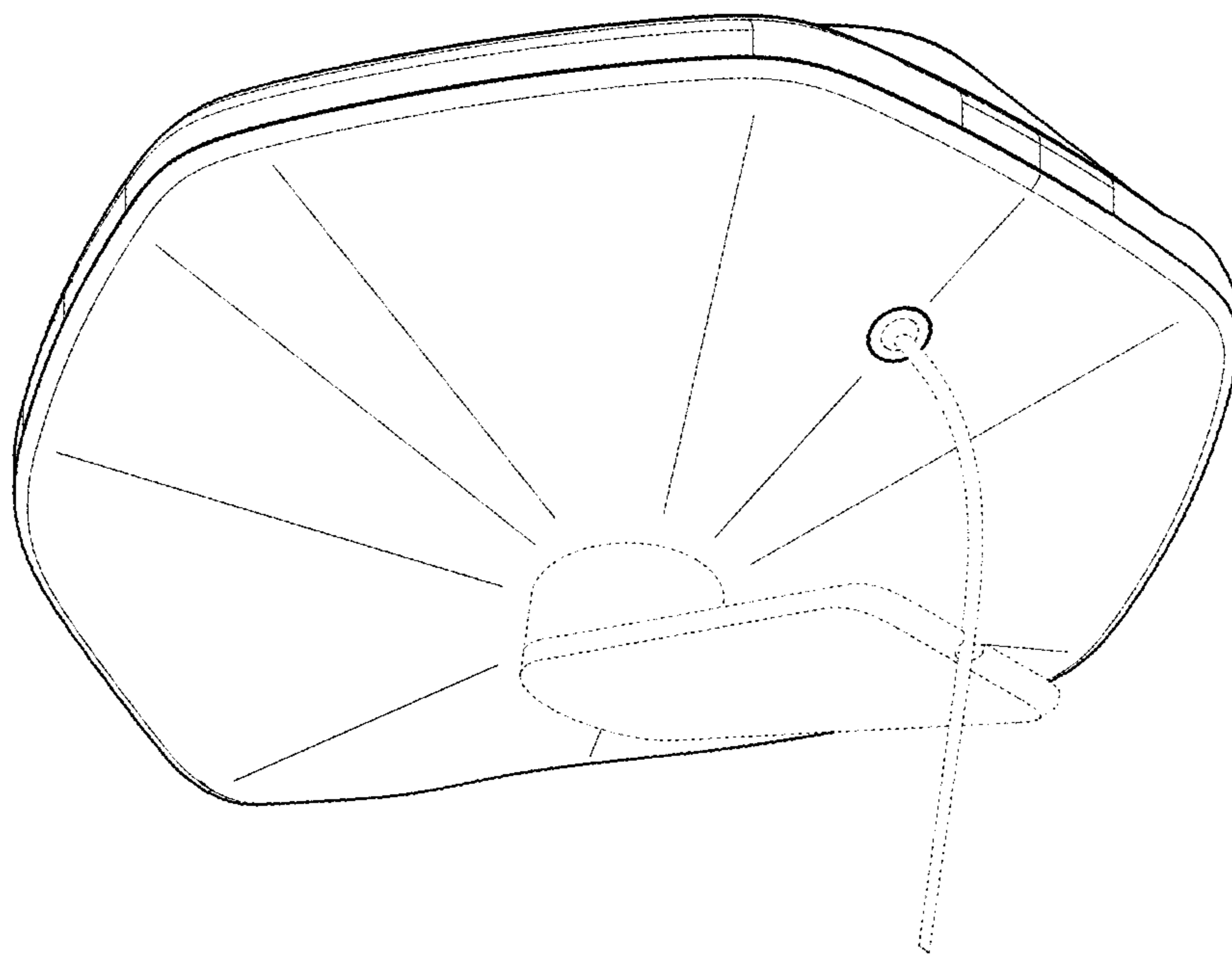


FIG. 2

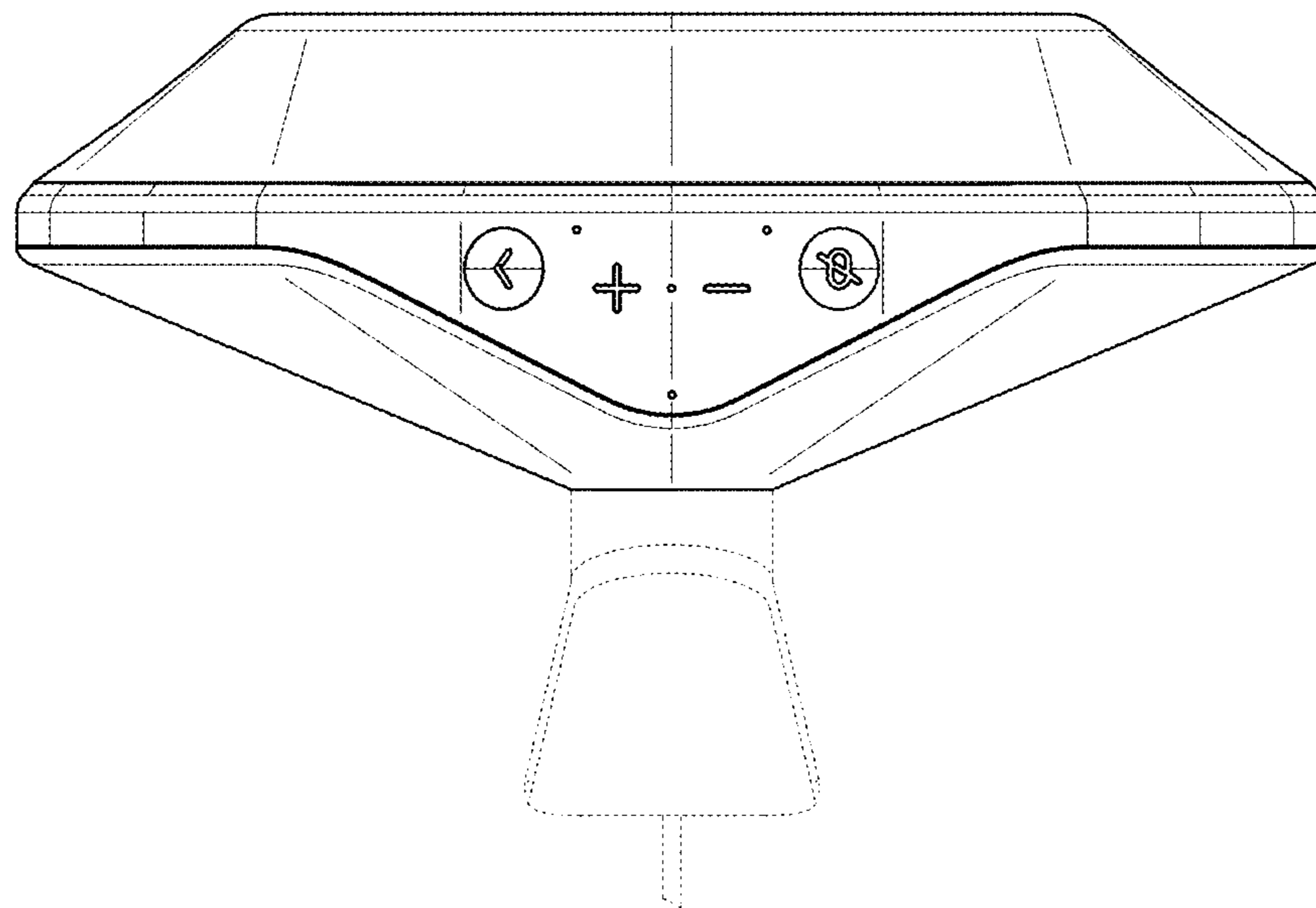


FIG. 3

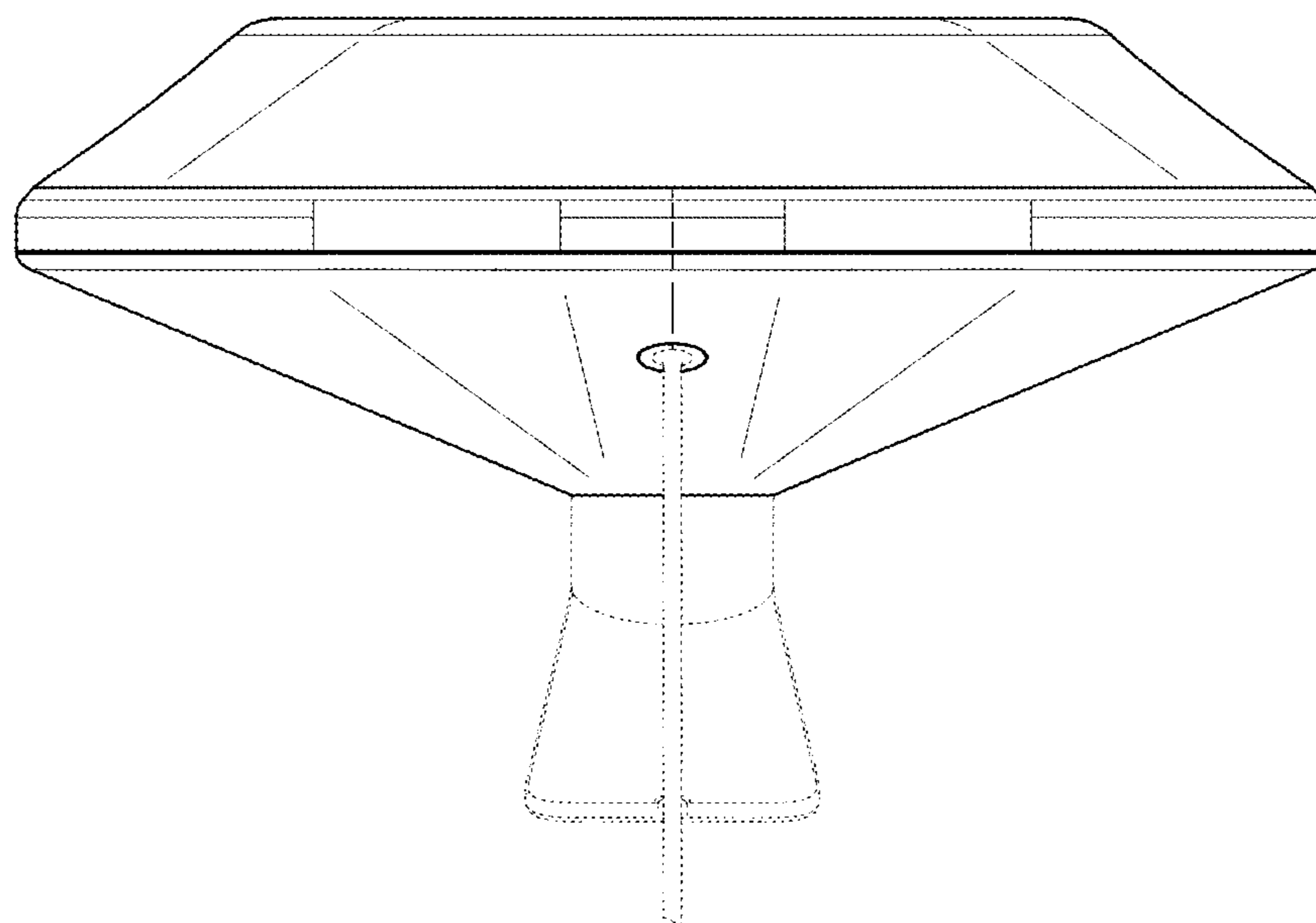


FIG. 4

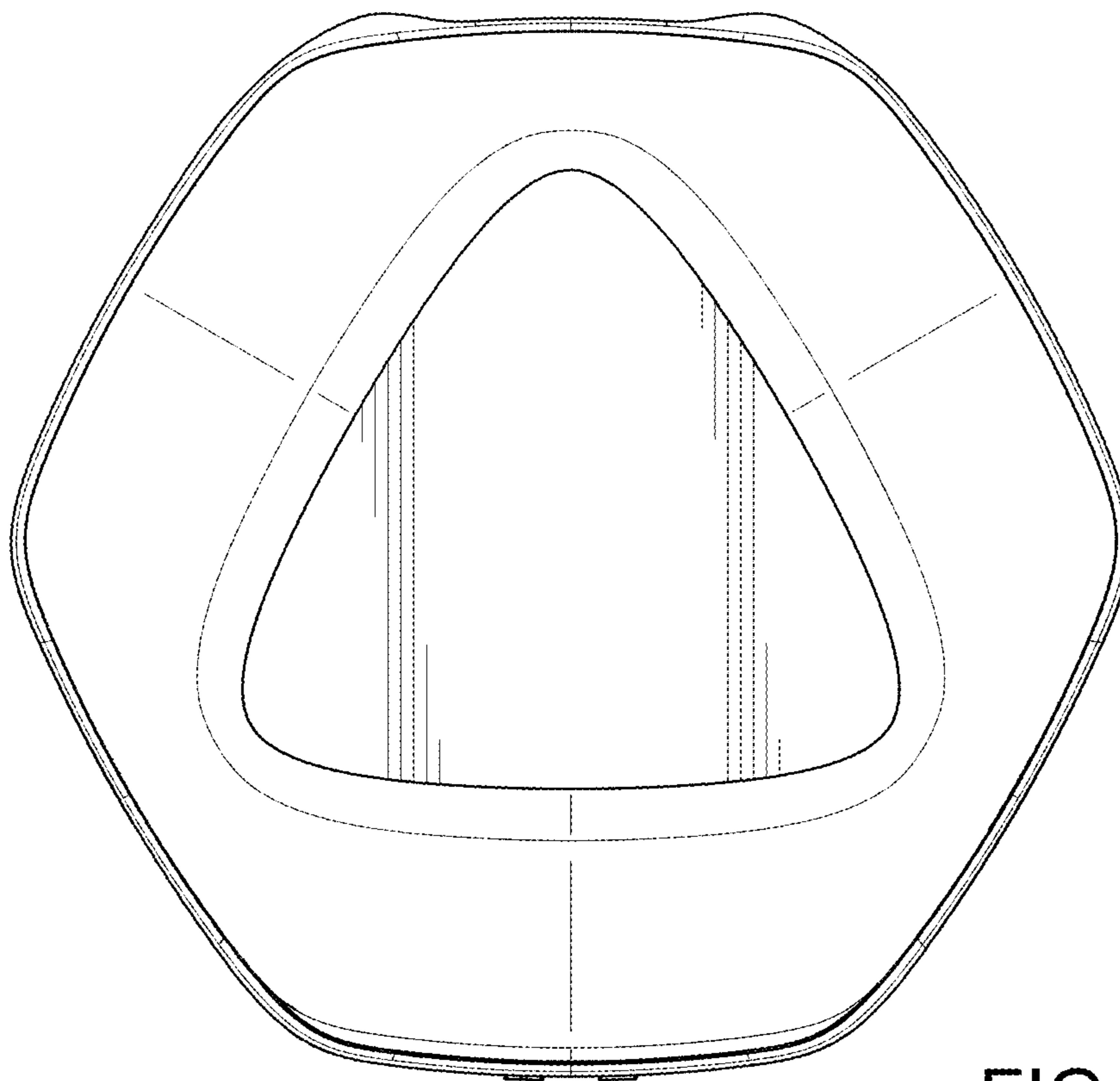


FIG. 5

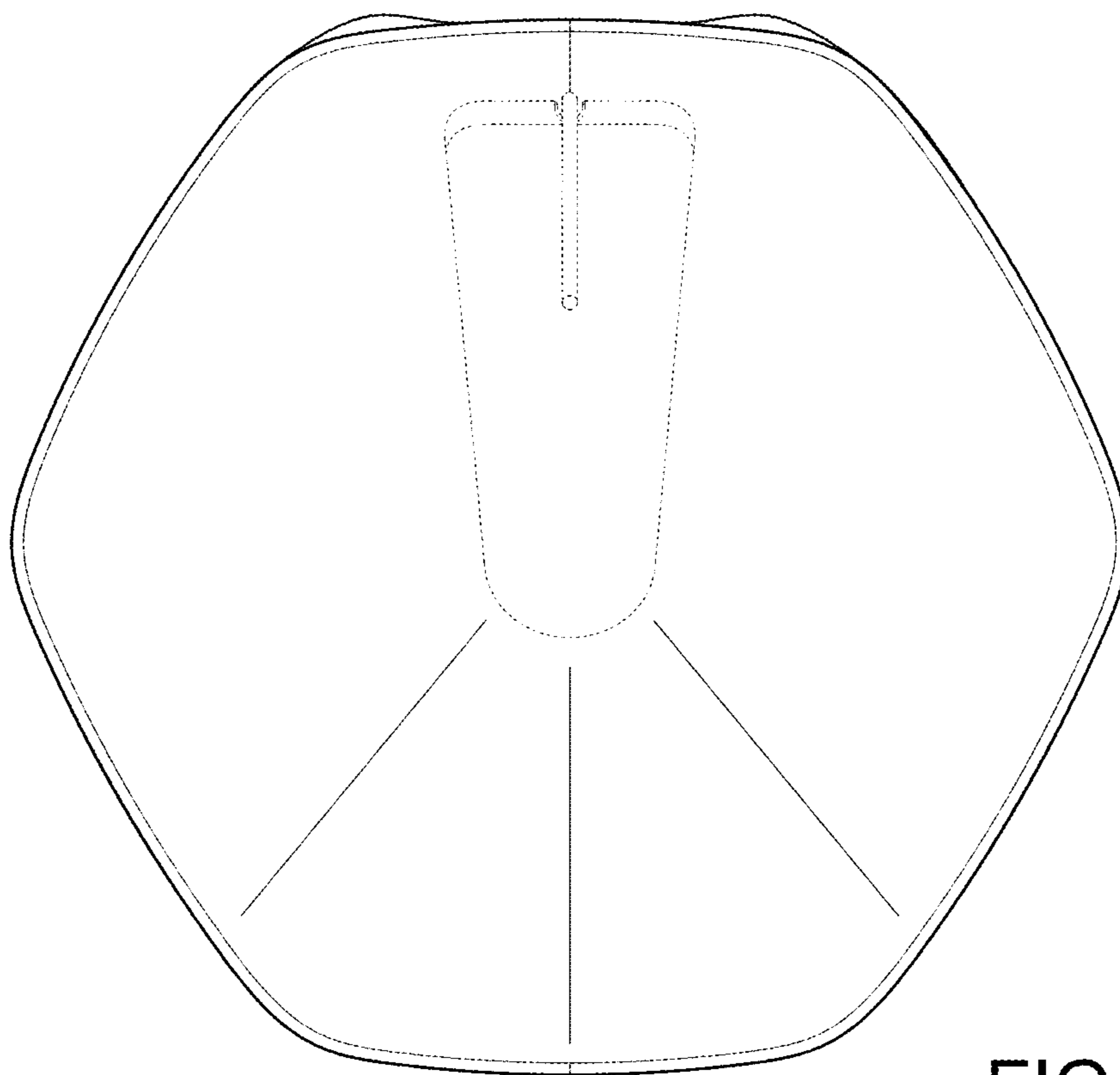


FIG. 6

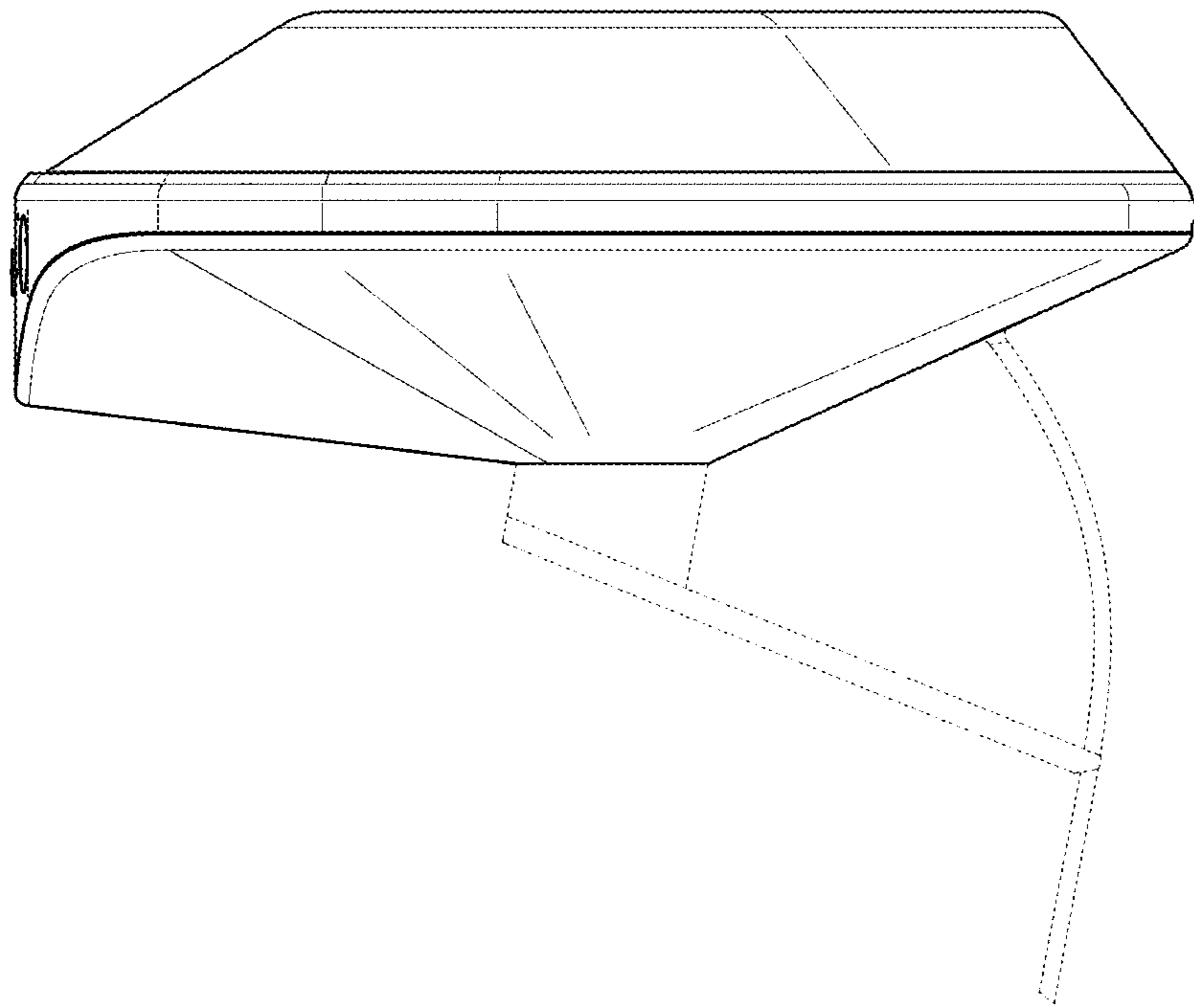


FIG. 7

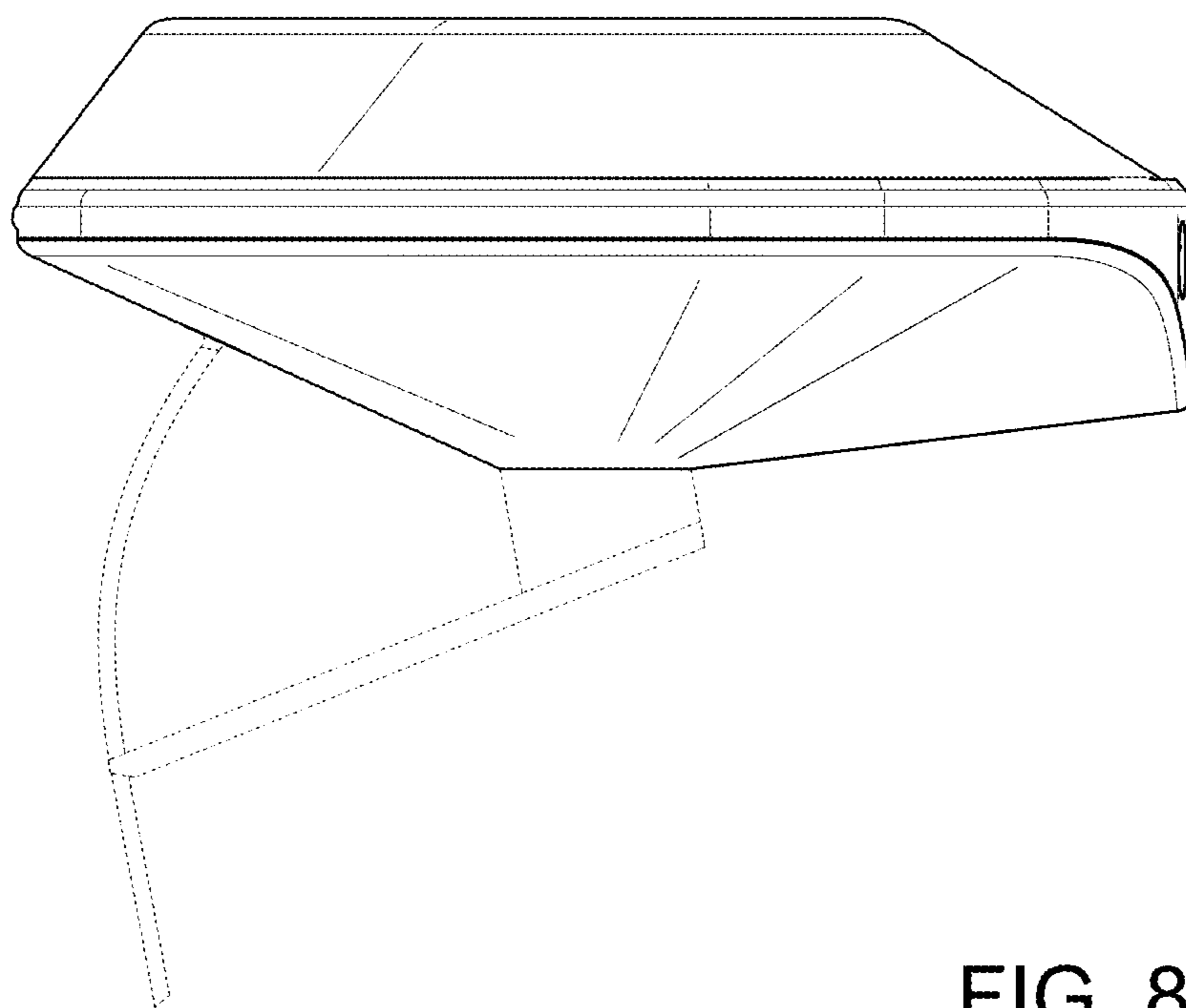


FIG. 8