



US00D949123S

(12) **United States Design Patent**
Li

(10) **Patent No.:** **US D949,123 S**

(45) **Date of Patent:** **** Apr. 19, 2022**

(54) **BABY MONITOR**

(71) Applicant: **TRISVISION TECHNOLOGY CO., LTD**, Shenzhen (CN)

(72) Inventor: **Guowei Li**, Shenzhen (CN)

(73) Assignee: **TRISVISION TECHNOLOGY CO., LTD.**, Shenzhen (CN)

(**) Term: **15 Years**

(21) Appl. No.: **29/751,675**

(22) Filed: **Sep. 23, 2020**

(30) **Foreign Application Priority Data**

Mar. 23, 2020 (EM) 007770672

(51) **LOC (13) Cl.** **14-03**

(52) **U.S. Cl.**
USPC **D14/159**

(58) **Field of Classification Search**
USPC D14/167, 154, 168, 188, 496, 156, 160,
D14/161, 162, 163, 164, 165, 158, 253,
D14/192, 159, 155, 138 AB, 137, 104.1;
455/351, 350, 353; D10/104, 106, 65,
D10/78; 340/573.4, 573.1
CPC . G06F 3/16; G08B 3/00; H04M 11/00; H04N
7/14; H04N 7/26
See application file for complete search history.

(56) **References Cited**

U.S. PATENT DOCUMENTS

D689,037 S * 9/2013 Sumi D14/159
D729,760 S * 5/2015 Takahata D14/159

D761,752 S * 7/2016 Takahata D14/159
D766,204 S * 9/2016 Takahata D14/159
D789,905 S * 6/2017 Liu D14/159
D861,631 S * 10/2019 Gan D14/159
D868,020 S * 11/2019 Deng D14/159
D881,154 S * 4/2020 Guo D14/159
D897,983 S * 10/2020 Ravat D14/159
D924,197 S * 7/2021 Wei D14/159
D935,431 S * 11/2021 Xie D14/159
D936,029 S * 11/2021 Zhang D14/159

* cited by examiner

Primary Examiner — Austin Murphy

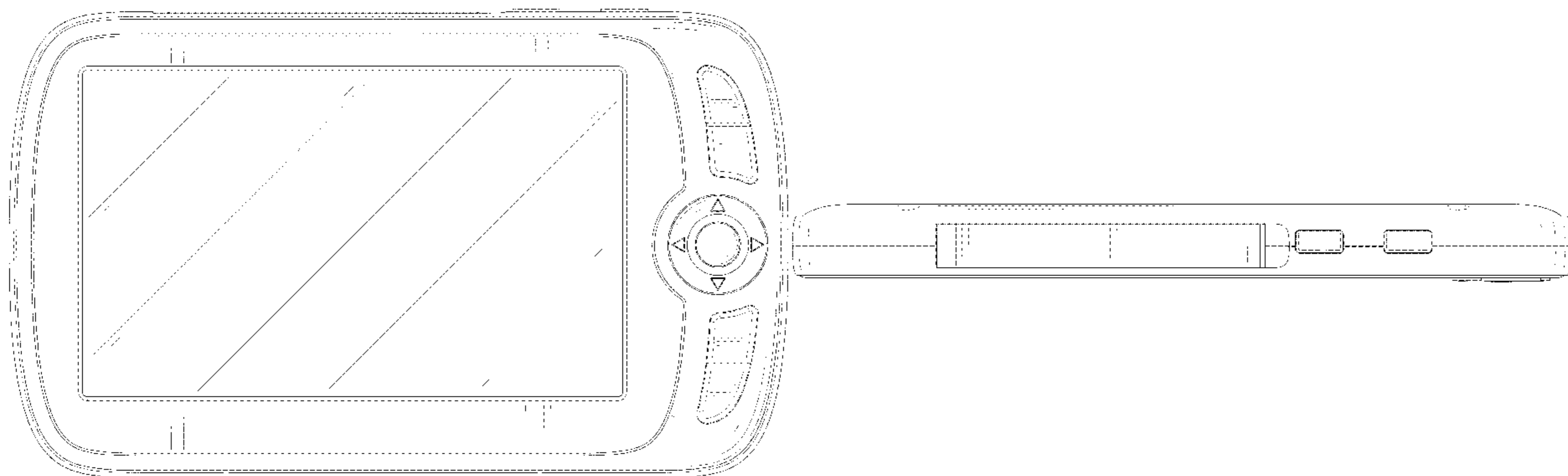
(57) **CLAIM**

The ornamental design for a baby monitor, as shown and described.

DESCRIPTION

FIG. 1 is a perspective view of a baby monitor showing my new design;
FIG. 2 is another perspective view thereof;
FIG. 3 is a front elevational view thereof;
FIG. 4 is a rear elevational view thereof;
FIG. 5 is a left side elevational view thereof;
FIG. 6 is a right side elevational view thereof;
FIG. 7 is a top plan view thereof;
FIG. 8 is a bottom plan view thereof; and,
FIG. 9 is a perspective view of the baby monitor where the baby monitor is in a configuration of use.
The broken lines in the drawings depict portions of the baby monitor that form no part of the claimed design.

1 Claim, 9 Drawing Sheets



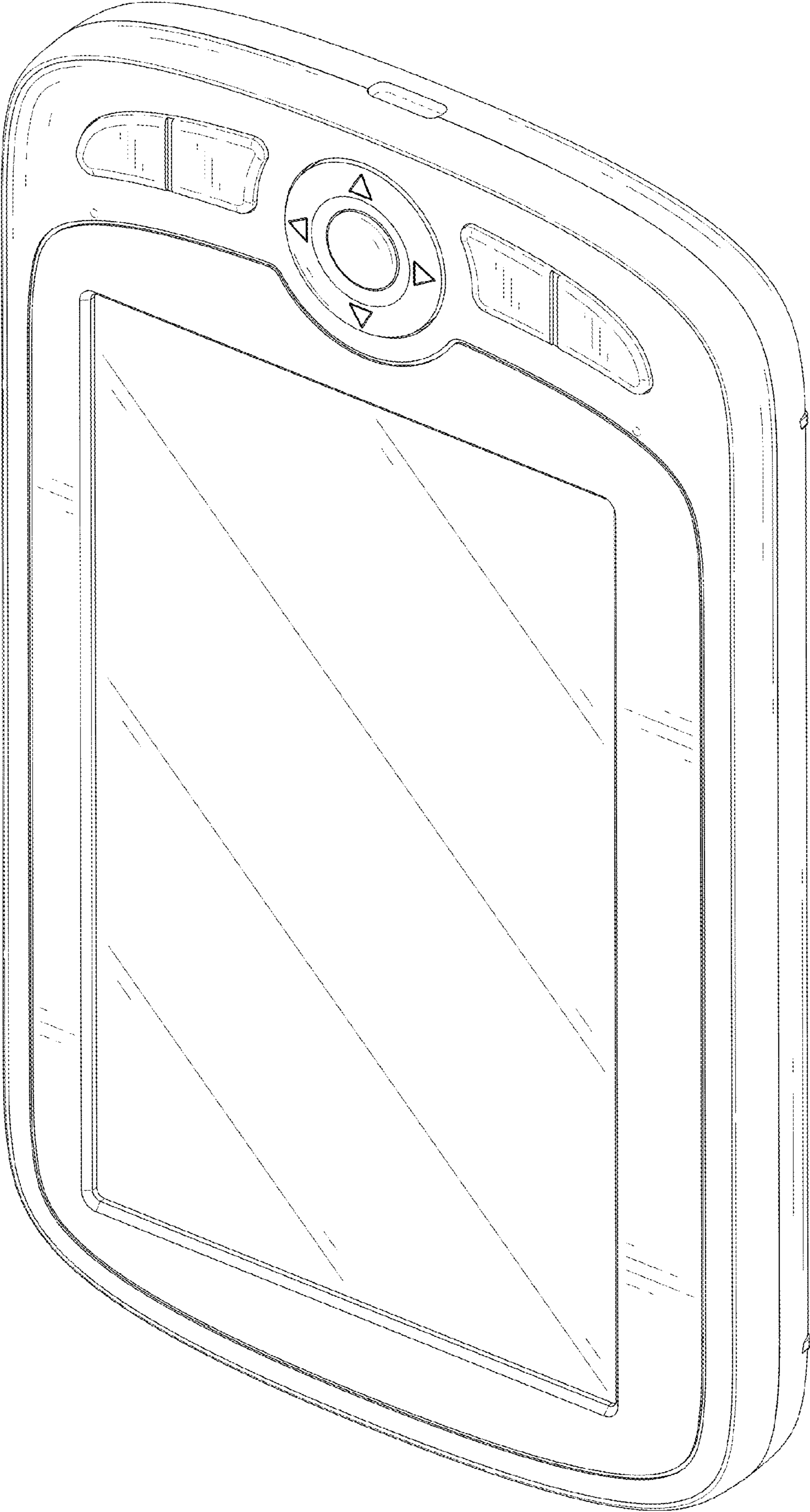


FIG. 1

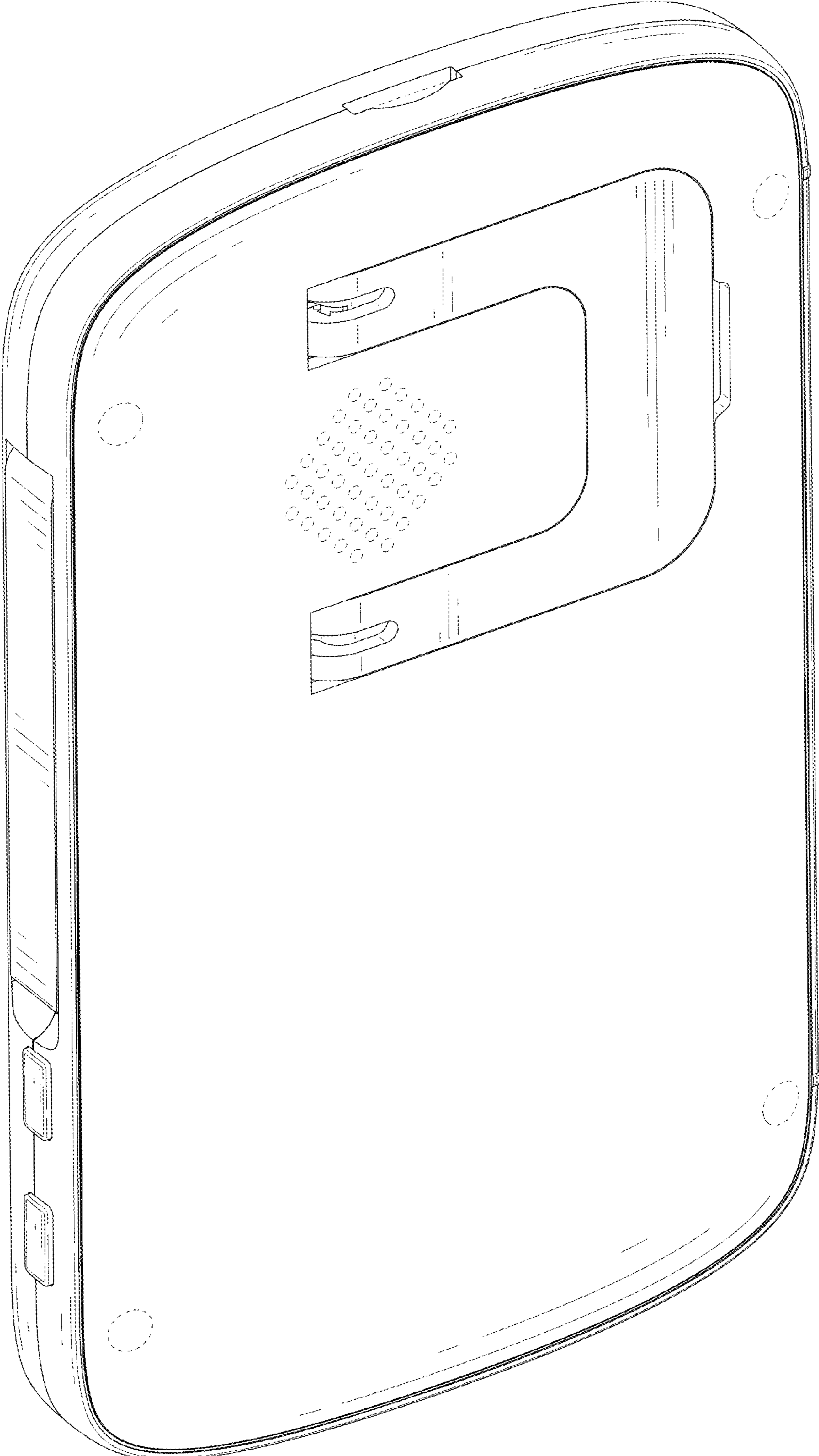


FIG. 2

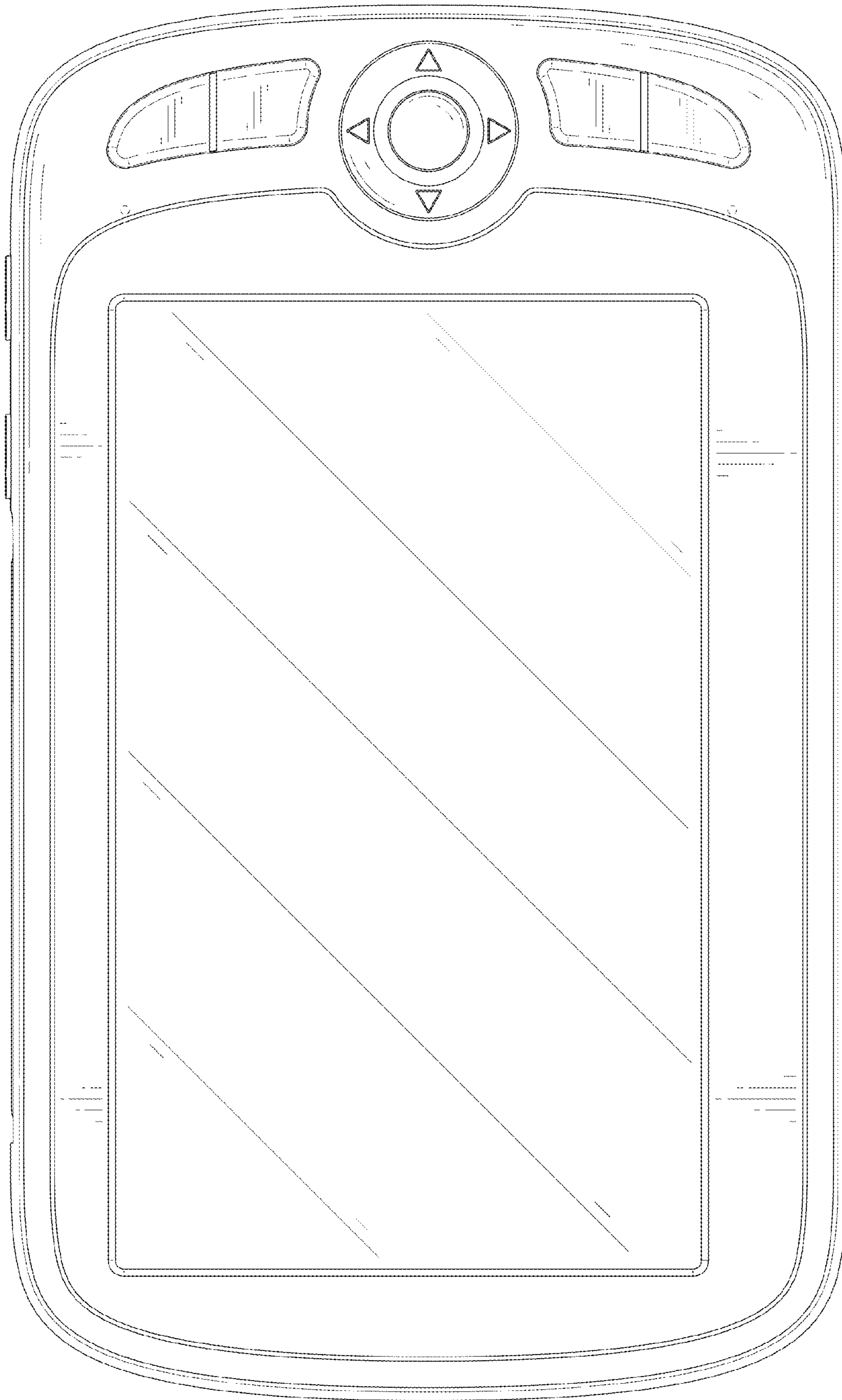


FIG. 3

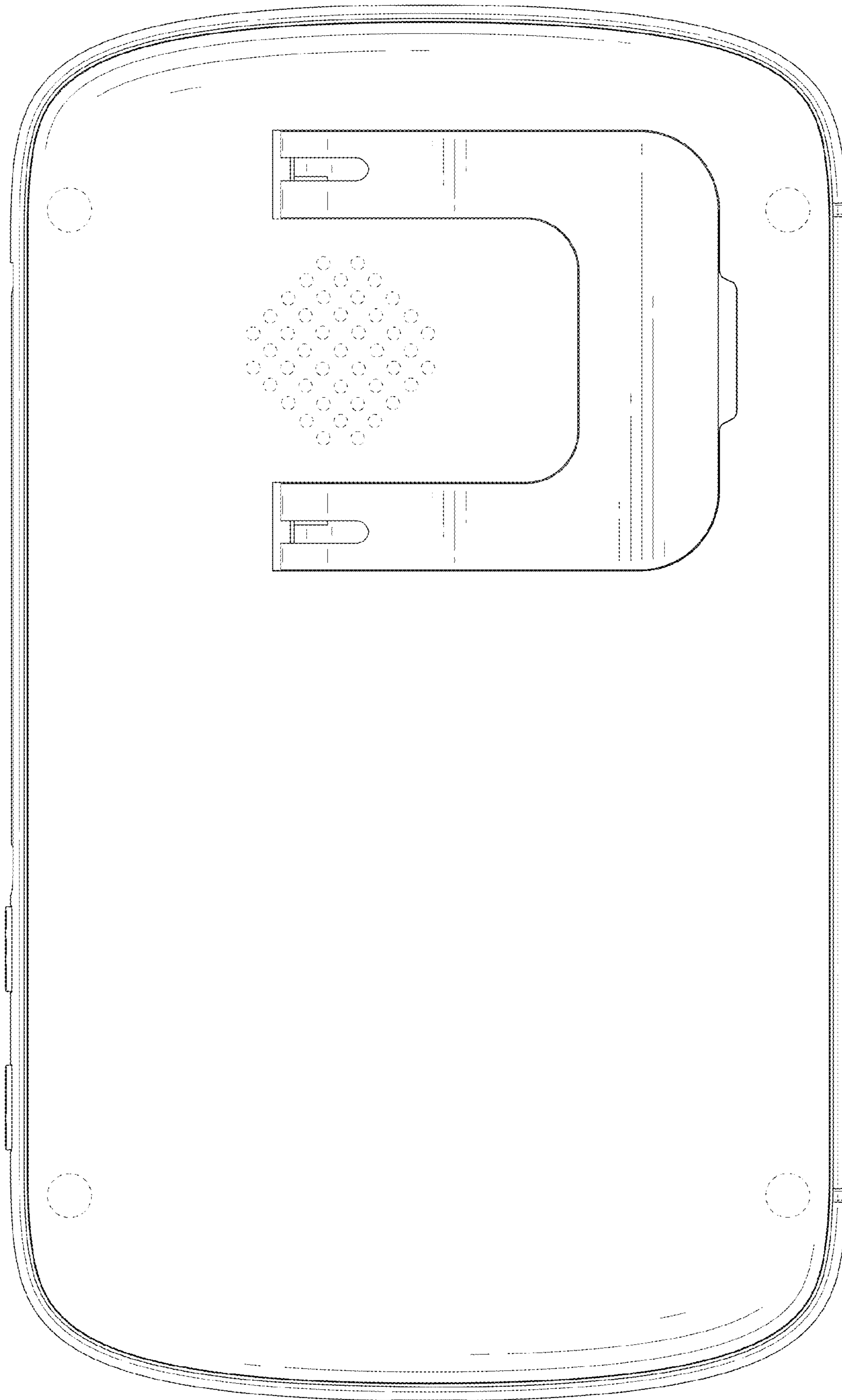


FIG. 4

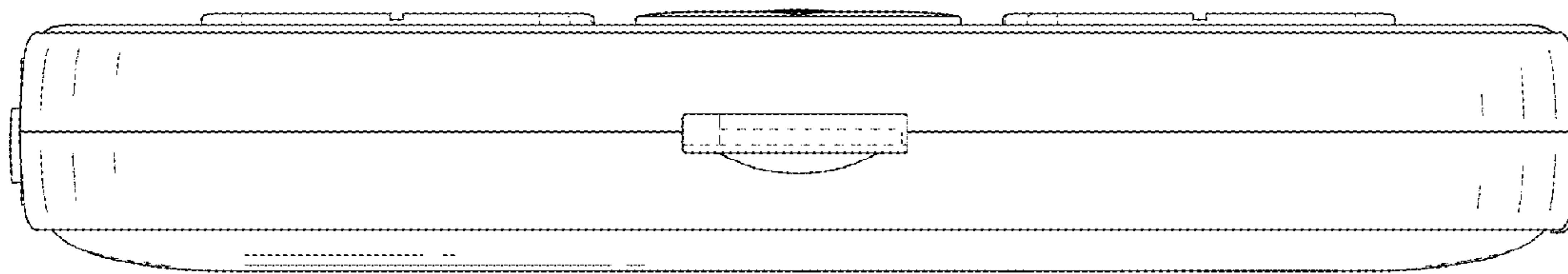


FIG. 5

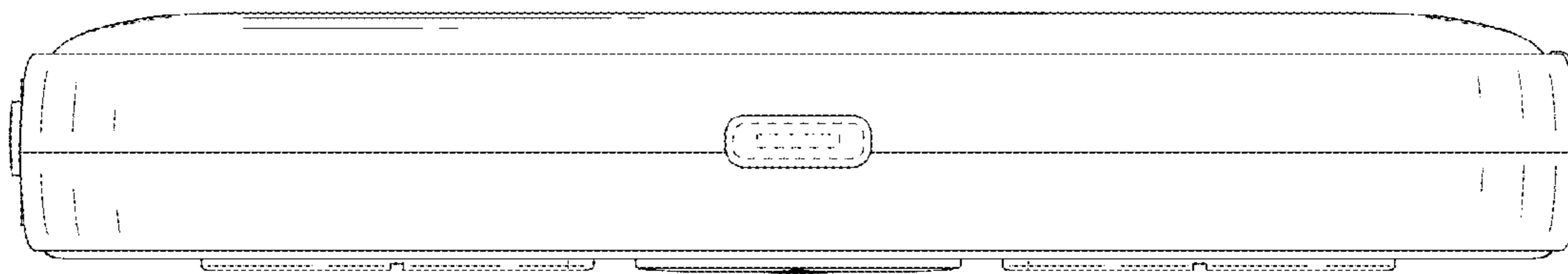


FIG. 6

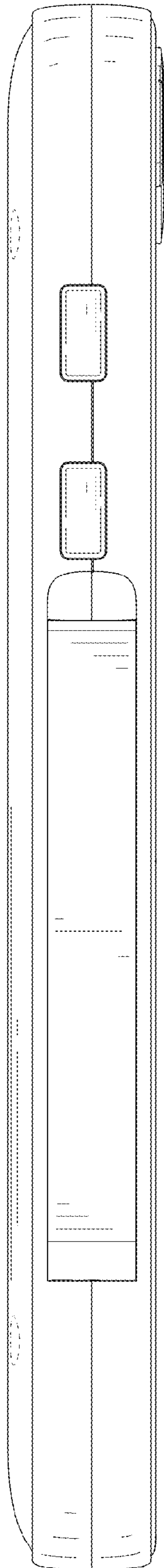


FIG. 7

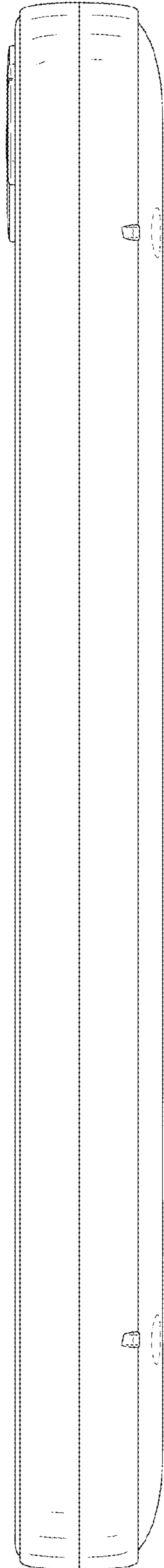


FIG. 8

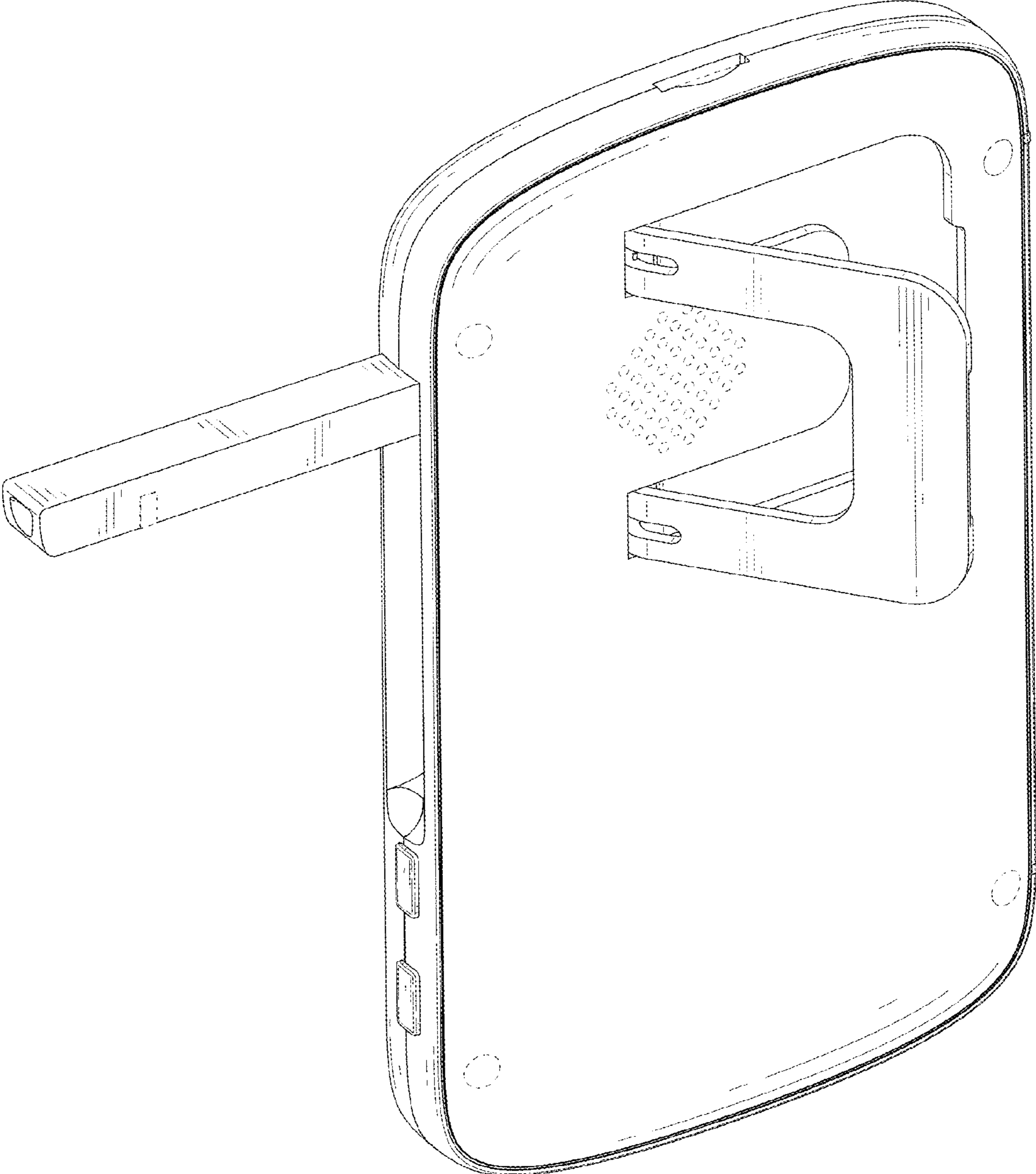


FIG. 9