

US00D949122S

(12) **United States Design Patent**  
**Li**

(10) **Patent No.:** **US D949,122 S**

(45) **Date of Patent:** **\*\* Apr. 19, 2022**

(54) **BABY MONITOR**

(71) Applicant: **TRISVISION TECHNOLOGY CO., LTD**, Shenzhen (CN)

(72) Inventor: **Guowei Li**, Shenzhen (CN)

(73) Assignee: **TRISVISION TECHNOLOGY CO., LTD**, Shenzhen (CN)

(\*\*) Term: **15 Years**

(21) Appl. No.: **29/751,674**

(22) Filed: **Sep. 23, 2020**

(30) **Foreign Application Priority Data**

Mar. 23, 2020 (EM) ..... 007770672

(51) **LOC (13) Cl.** ..... **14-03**

(52) **U.S. Cl.**  
USPC ..... **D14/159**

(58) **Field of Classification Search**  
USPC ..... D14/167, 154, 168, 188, 496, 156, 160,  
D14/161, 162, 163, 164, 165, 158, 253,  
D14/192, 159, 155, 138 AB, 137, 104.1;  
455/351, 350, 353; D10/104, 106, 65,  
D10/78; 340/573.4, 573.1  
CPC . G06F 3/16; G08B 3/00; H04M 11/00; H04N  
7/14; H04N 7/26  
See application file for complete search history.

(56) **References Cited**

**U.S. PATENT DOCUMENTS**

D689,037 S \* 9/2013 Sumi ..... D14/159  
D729,760 S \* 5/2015 Takahata ..... D14/159

D761,752 S \* 7/2016 Takahata ..... D14/159  
D766,204 S \* 9/2016 Takahata ..... D14/159  
D789,905 S \* 6/2017 Liu ..... D14/159  
D861,631 S \* 10/2019 Gan ..... D14/159  
D868,020 S \* 11/2019 Deng ..... D14/159  
D881,154 S \* 4/2020 Guo ..... D14/159  
D897,983 S \* 10/2020 Ravat ..... D14/159  
D924,197 S \* 7/2021 Wei ..... D14/159  
D935,431 S \* 11/2021 Xie ..... D14/159  
D936,029 S \* 11/2021 Zhang ..... D14/159

\* cited by examiner

*Primary Examiner* — Austin Murphy

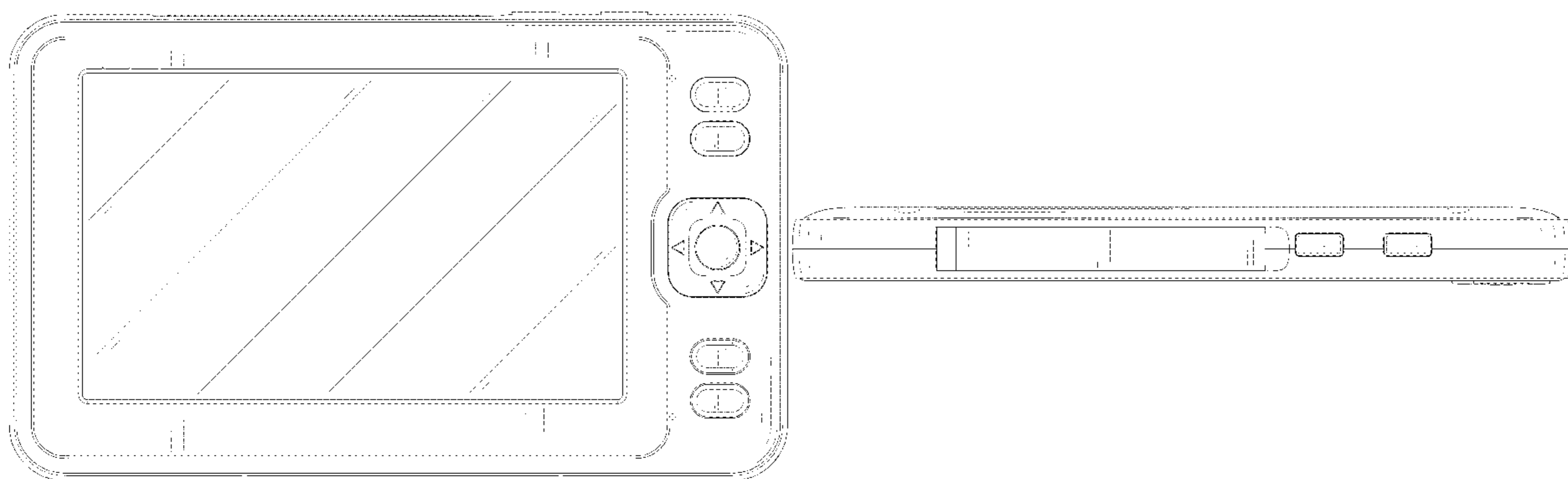
(57) **CLAIM**

The ornamental design for a baby monitor, as shown and described.

**DESCRIPTION**

FIG. 1 is a perspective view of a baby monitor showing my new design;  
FIG. 2 is another perspective view thereof;  
FIG. 3 is a front elevational view thereof;  
FIG. 4 is a rear elevational view thereof;  
FIG. 5 is a left side elevational view thereof;  
FIG. 6 is a right side elevational view thereof;  
FIG. 7 is a top plan view thereof;  
FIG. 8 is a bottom plan view thereof; and,  
FIG. 9 is a perspective view of the baby monitor where the baby monitor is in a configuration of use.  
The broken lines in the drawings depict portions of the baby monitor that form no part of the claimed design.

**1 Claim, 9 Drawing Sheets**



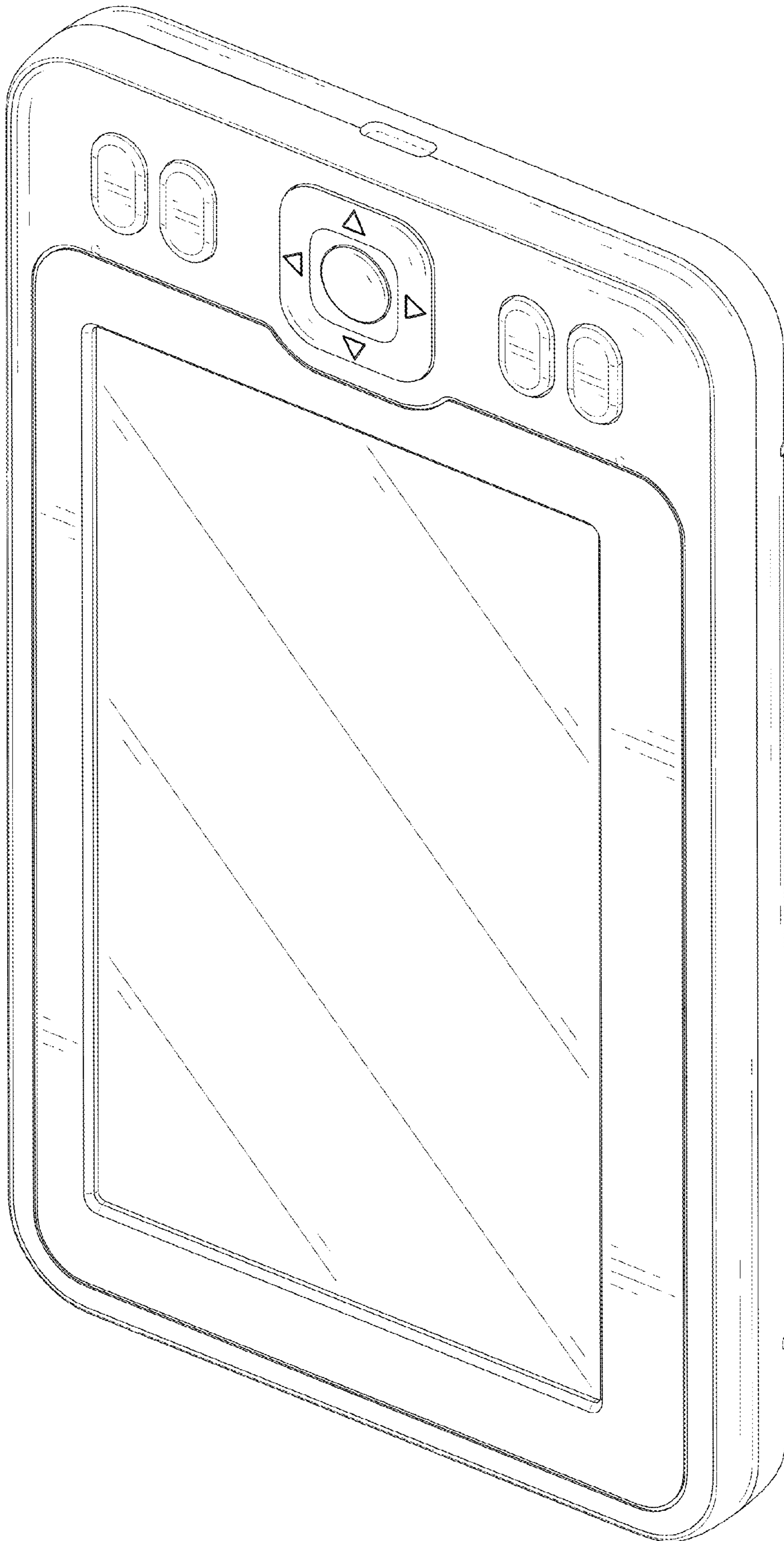


FIG. 1

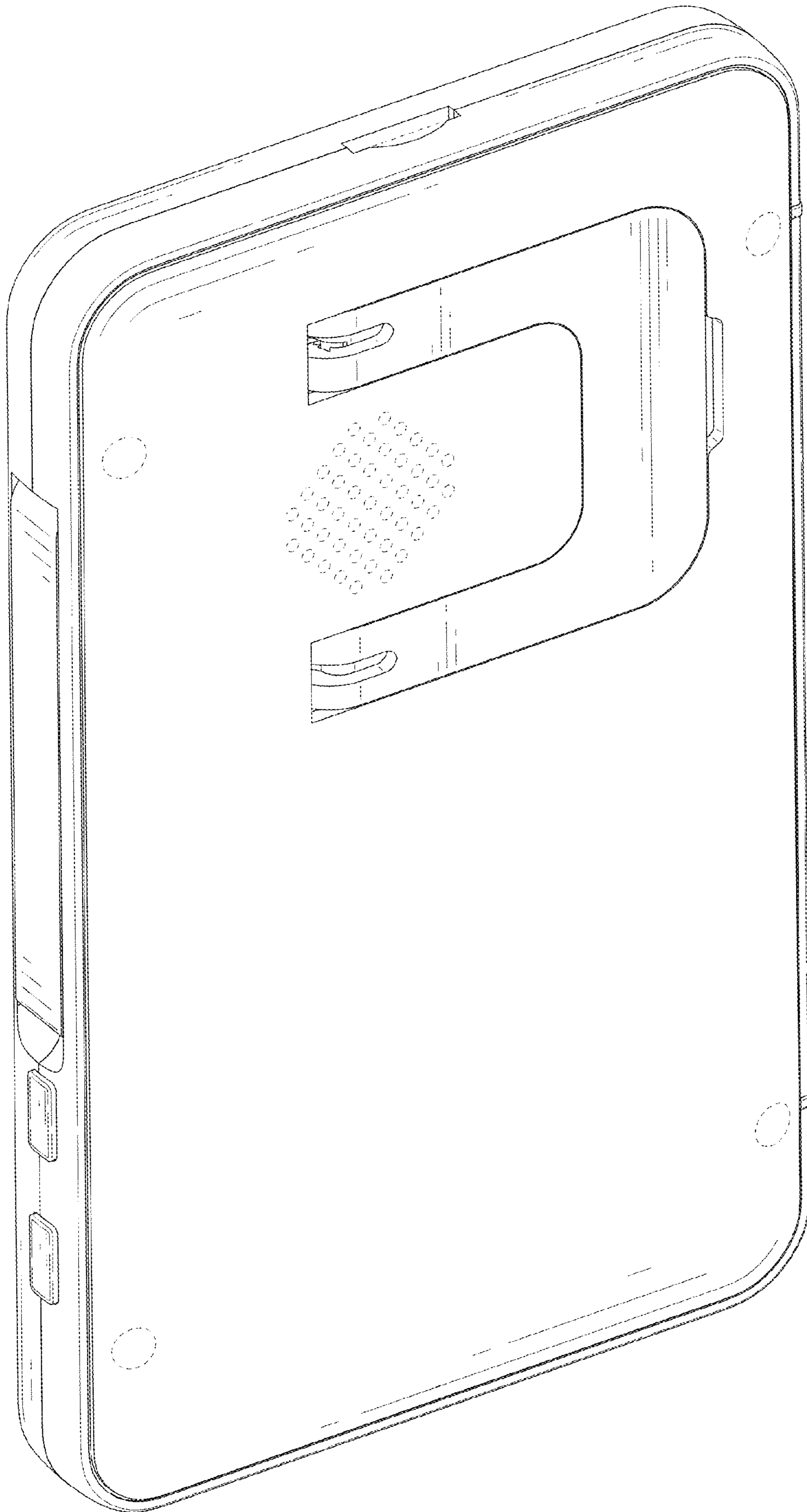


FIG. 2

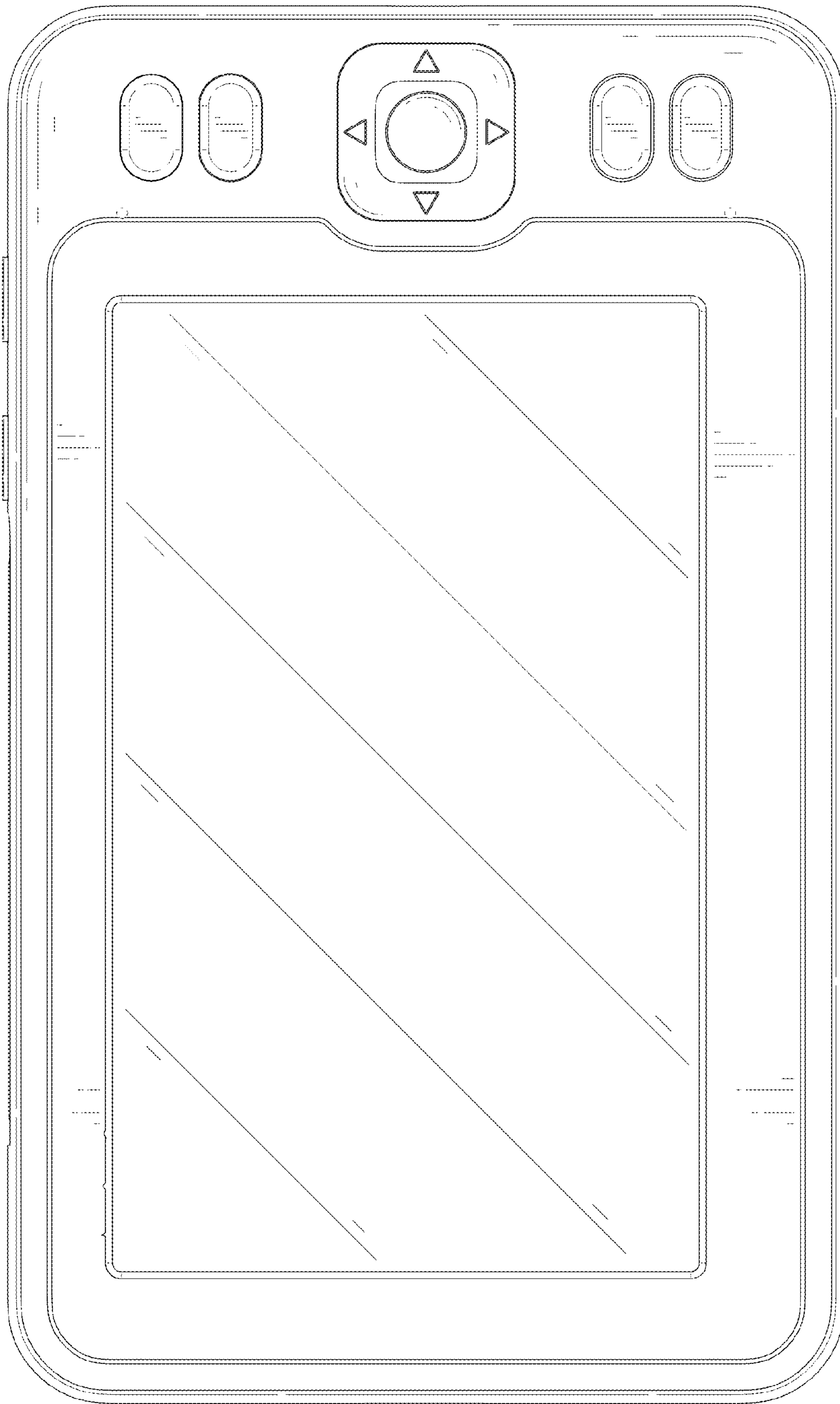


FIG. 3

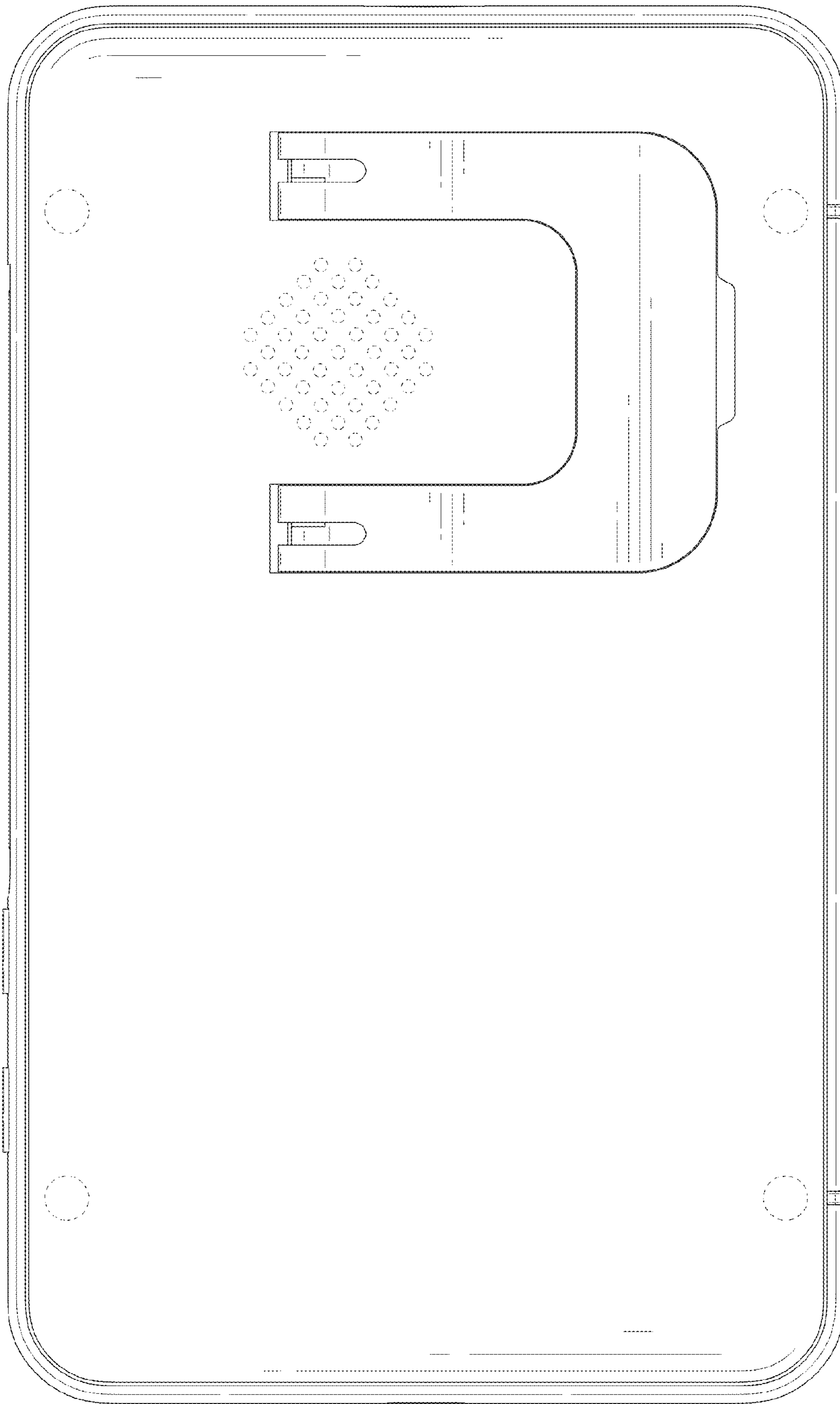


FIG. 4

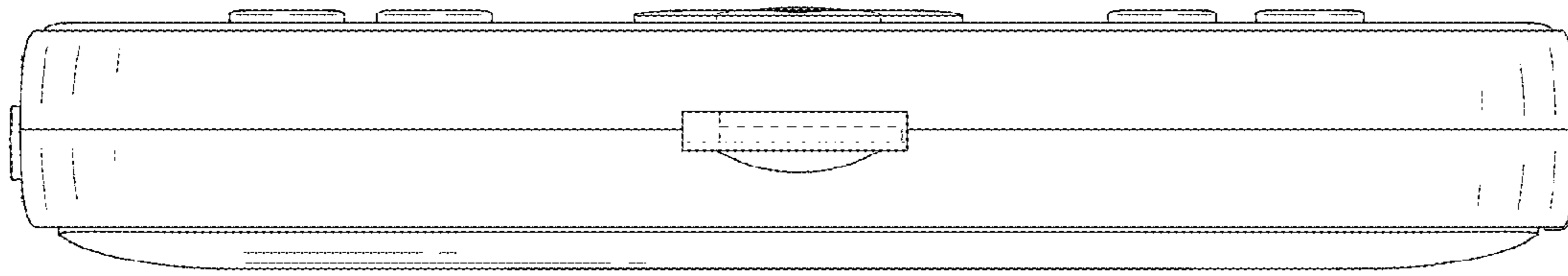


FIG. 5

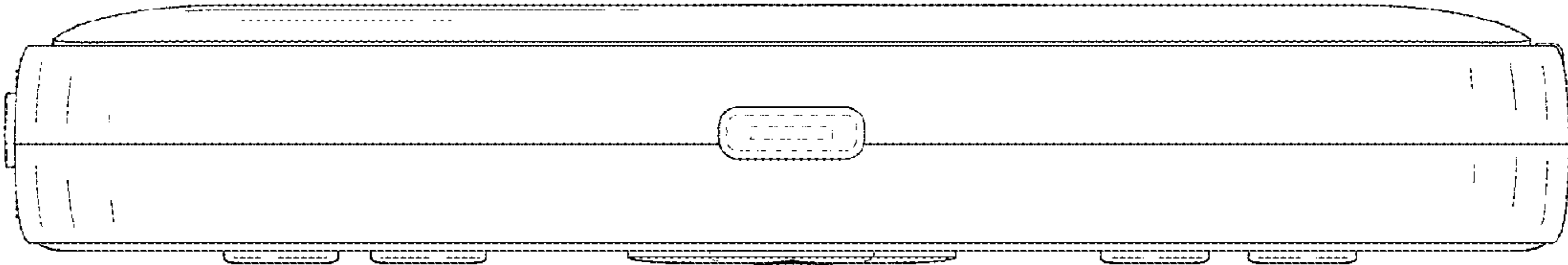


FIG. 6

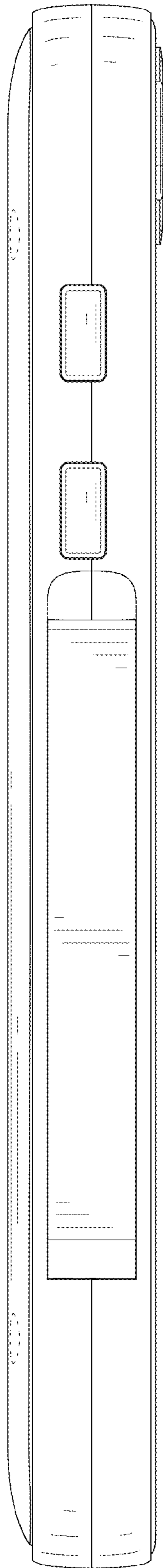


FIG. 7



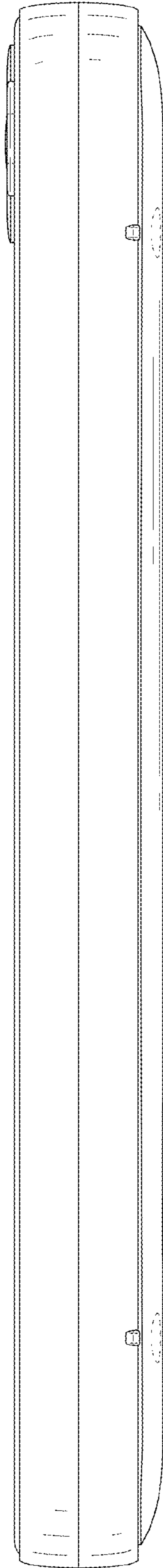


FIG. 8

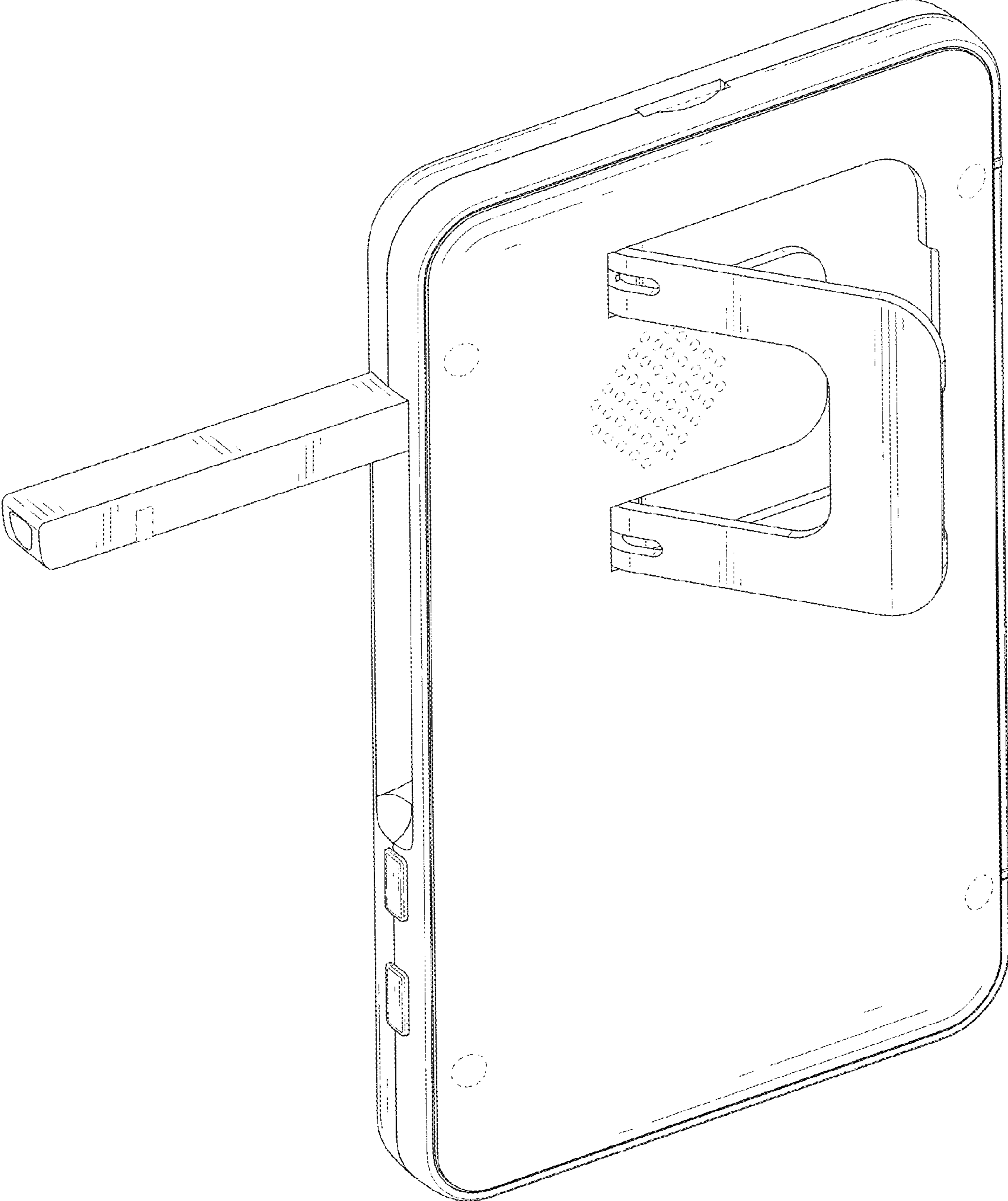


FIG. 9