



US00D949115S

(12) **United States Design Patent**
Coleman

(10) **Patent No.:** **US D949,115 S**
(45) **Date of Patent:** **** Apr. 19, 2022**

- (54) **CONTROL FRAME**
- (71) Applicant: **TSI Products, Inc.**, Arlington, TX (US)
- (72) Inventor: **Todd Michael Coleman**, The Colony, TX (US)
- (73) Assignee: **TSI Products, Inc.**, Arlington, TX (US)
- (**) Term: **15 Years**
- (21) Appl. No.: **29/714,567**
- (22) Filed: **Nov. 25, 2019**
- (51) **LOC (13) Cl.** **13-03**
- (52) **U.S. Cl.**
USPC **D13/173**
- (58) **Field of Classification Search**
USPC D13/133, 146, 147, 123, 184, 199, 118,
D13/120, 154, 155, 156, 158, 152, 159,
D13/160, 162, 162.1, 163, 166, 168, 169,
D13/170, 172, 174, 177, 171, 173
CPC H01R 13/52; H01R 13/5202; H01R
13/5205; H01R 13/5208; H01R 13/5213;
H01R 13/639; H01H 13/00; H01H 13/04;
H01H 13/22; H01H 23/04; H01H
2223/00; H01H 223/012
See application file for complete search history.

(56) **References Cited**

U.S. PATENT DOCUMENTS

D390,825 S *	2/1998	Chen	D13/110
5,762,509 A *	6/1998	Kang	H05B 41/02 439/232
6,399,910 B1 *	6/2002	Crawford	H01H 13/04 200/276
D514,514 S *	2/2006	Franks, Jr.	D13/133
D537,797 S *	3/2007	Yanai	D13/171
D628,539 S *	12/2010	Tezak	D13/152
D665,741 S *	8/2012	Hu	D13/118
D720,704 S *	1/2015	Yamanaka	D13/171
9,593,832 B2 *	3/2017	Beausoleil	F21V 23/0407

D782,987 S *	4/2017	Gassner	D13/171
D902,013 S *	11/2020	Porter	D8/354
2001/0007801 A1 *	7/2001	Nimura	H01R 13/639 439/489
2014/0190812 A1 *	7/2014	Yamanaka	H01H 3/50 200/529
2014/0242827 A1 *	8/2014	Saito	H01R 13/506 439/345

(Continued)

OTHER PUBLICATIONS

DaFuRui—Push Button Switch. Date: Apr. 15, 2019. [online]. [Site visited Sep. 15, 2021]. Available from Internet URL: <https://www.amazon.com/dp/B07QLK8J72/> (Year: 2019).*

(Continued)

Primary Examiner — Susan Bennett Hattan

Assistant Examiner — Landon Thomas Cassell

(74) *Attorney, Agent, or Firm* — Hitchcock Evert, LLP

(57) **CLAIM**

The ornamental design for a control frame, as shown and described.

DESCRIPTION

FIG. 1 is a front perspective view of a control frame showing my new design;

FIG. 2 is a front view thereof;

FIG. 3 is a rear view thereof;

FIG. 4 is a right side view thereof;

FIG. 5 is a left side view thereof;

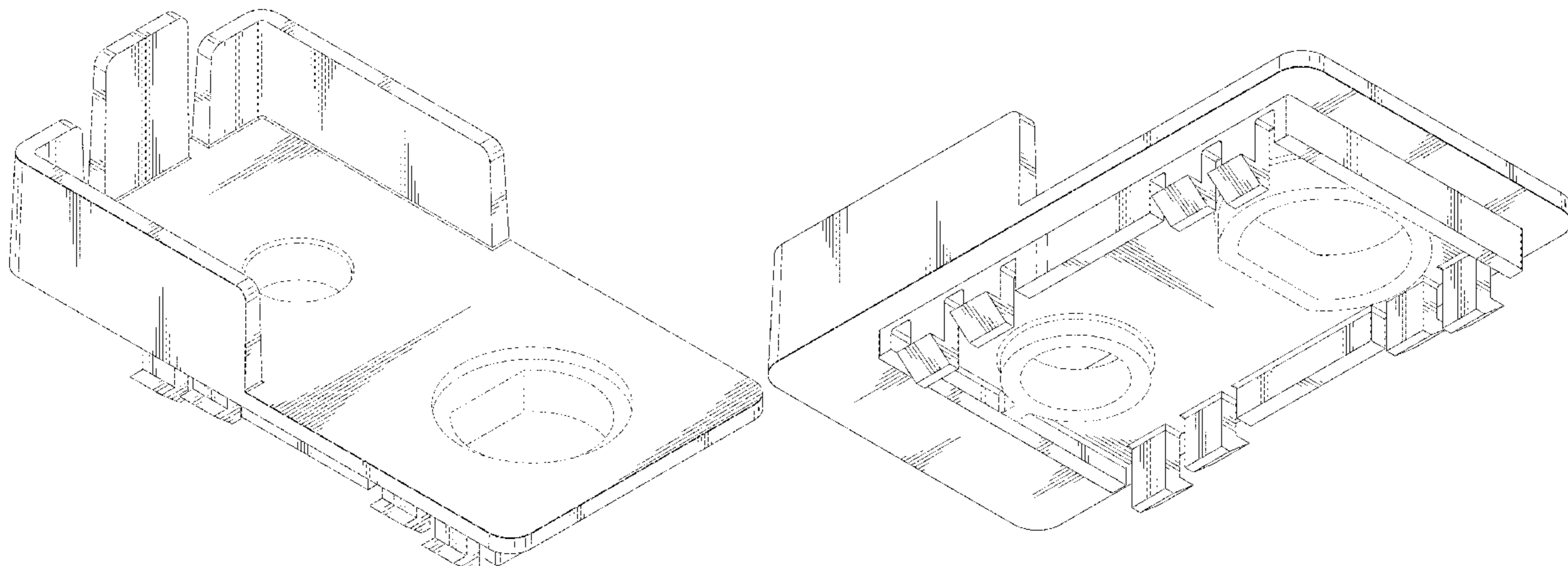
FIG. 6 is a top view thereof;

FIG. 7 is a bottom view thereof; and,

FIG. 8 is a rear perspective view thereof.

The dot-dashed broken lines depict boundaries of the claim that form no part of the claimed design. The remainder of the broken lines depict portions of the connector that form no part of the claimed design.

1 Claim, 8 Drawing Sheets



(56)

References Cited

U.S. PATENT DOCUMENTS

2016/0056565 A1* 2/2016 Yamada H02S 40/34
439/521
2019/0229460 A1* 7/2019 Suttorp H01R 13/5219

OTHER PUBLICATIONS

Frames. (Design—© Questel) orbit.com. [Online PDF compilation of references] 14 pgs. Print Dates Range Nov. 28, 2012-Oct. 27, 2017 [Retrieved Sep. 17, 2021] <https://www.orbit.com/export/UCZAH96B/pdf4/d52d3719-1636-4f9c-950d-8f259be916b6-181623.pdf> (Year: 2021).*

* cited by examiner

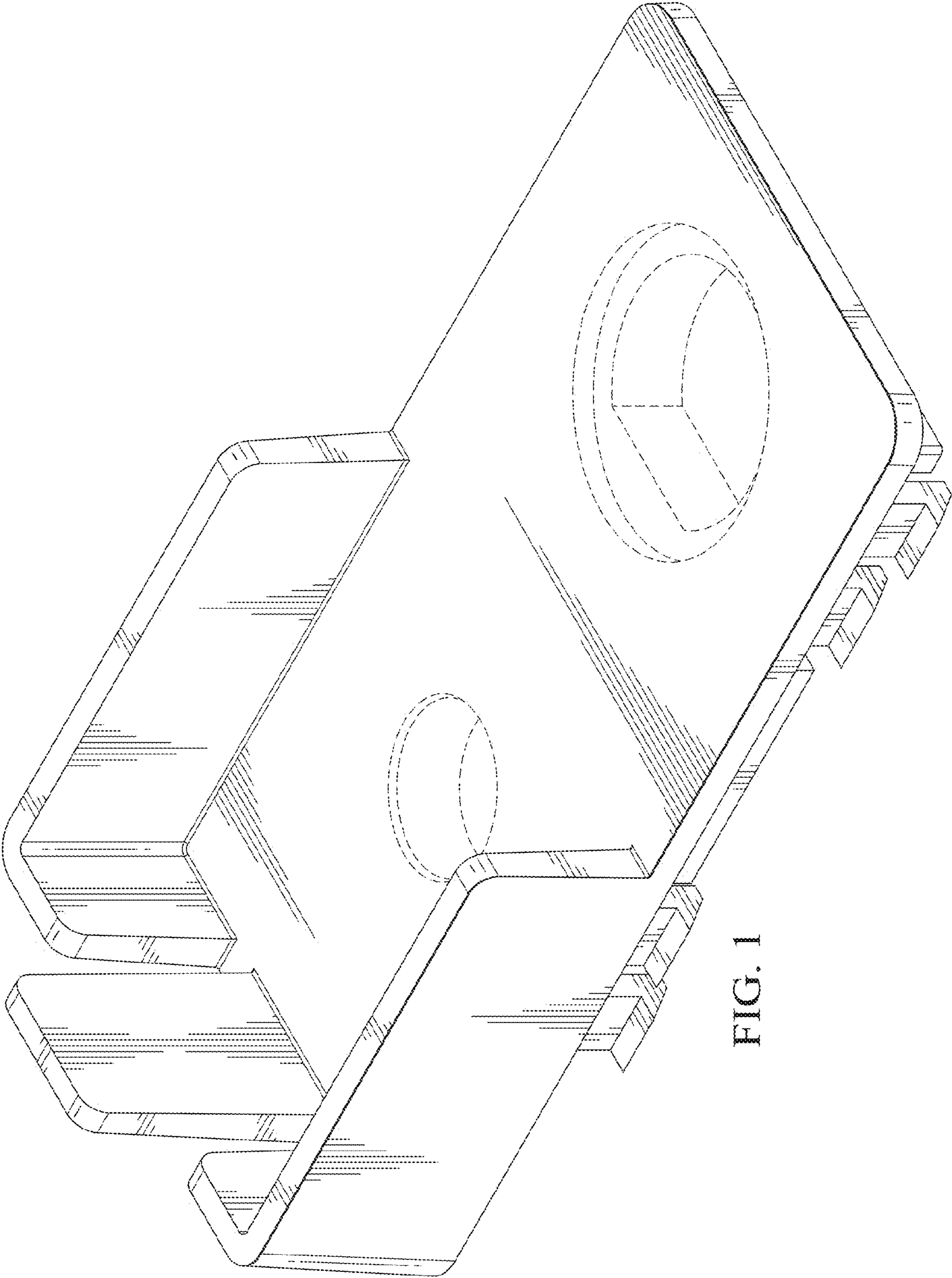


FIG. 1

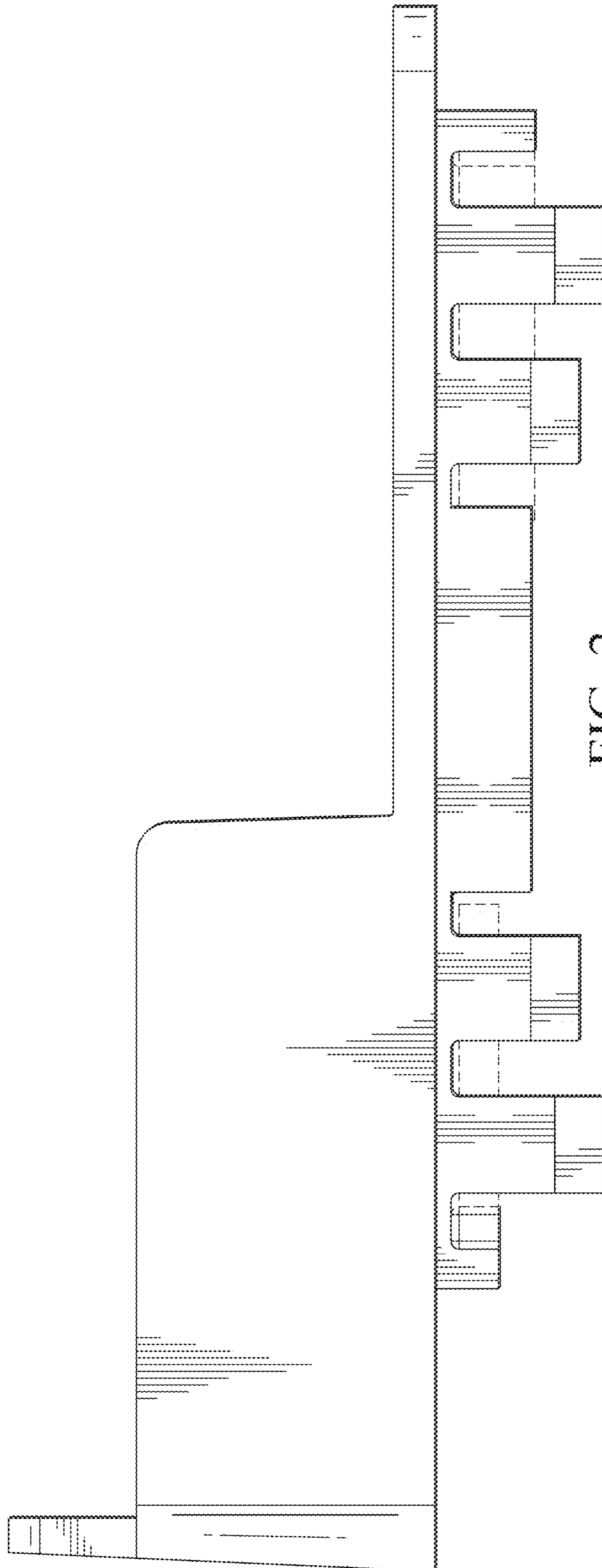


FIG. 2

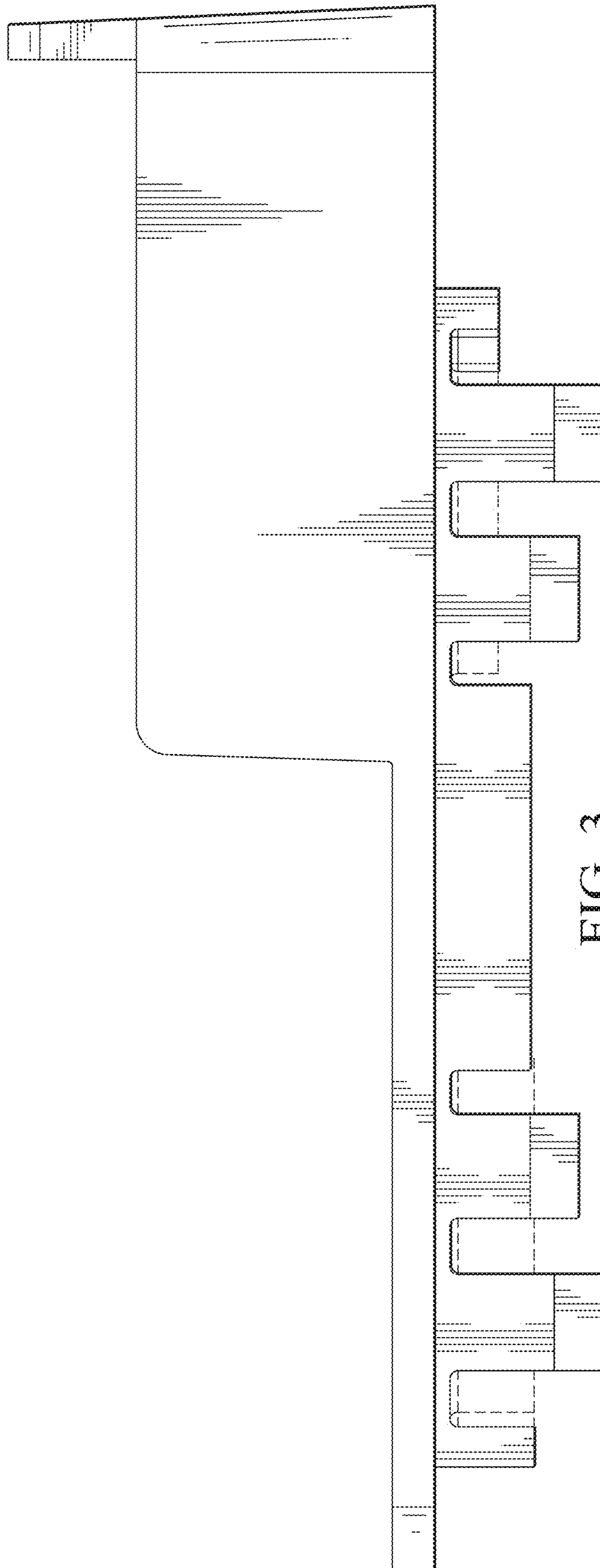


FIG. 3

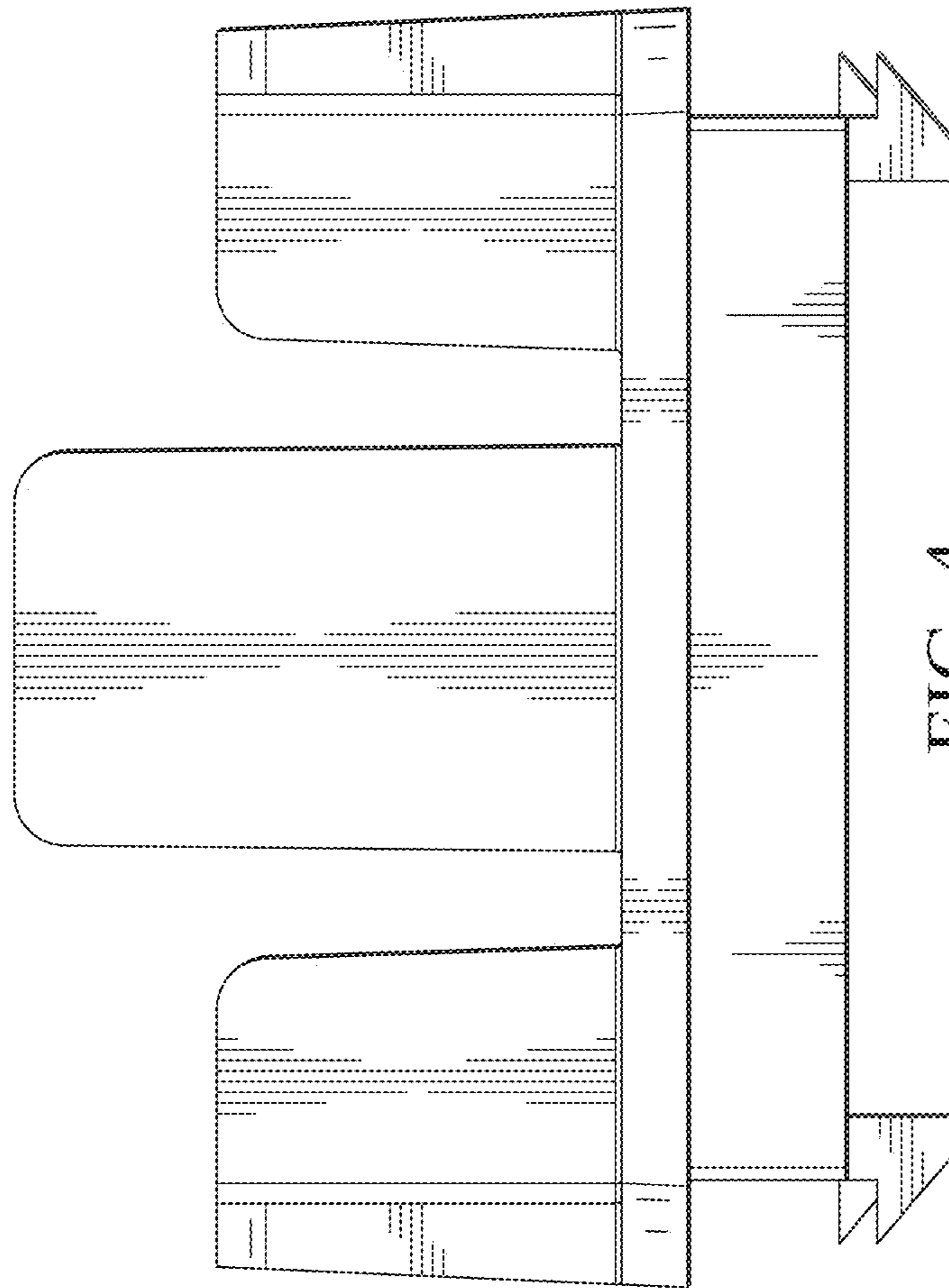


FIG. 4

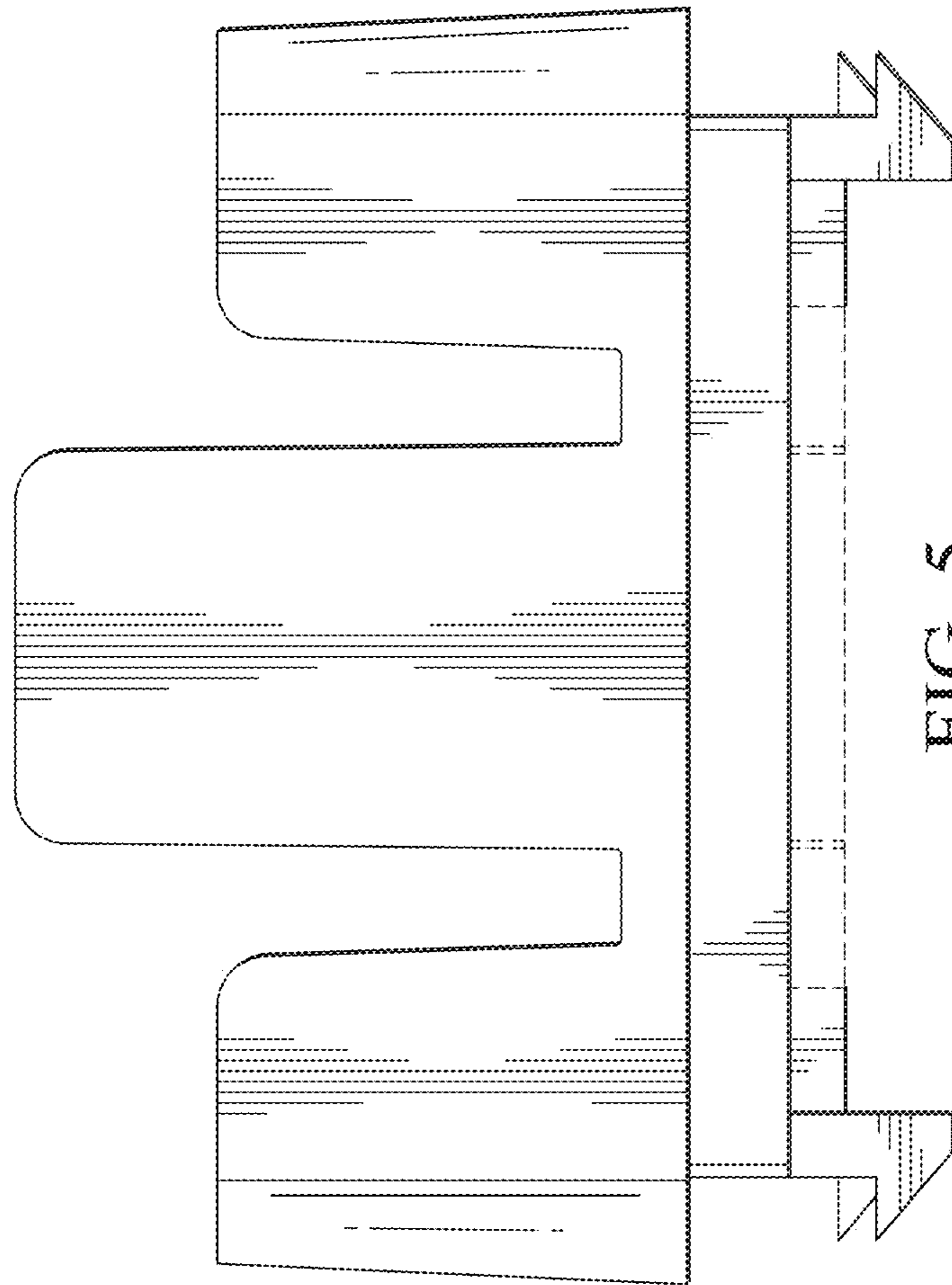


FIG. 5

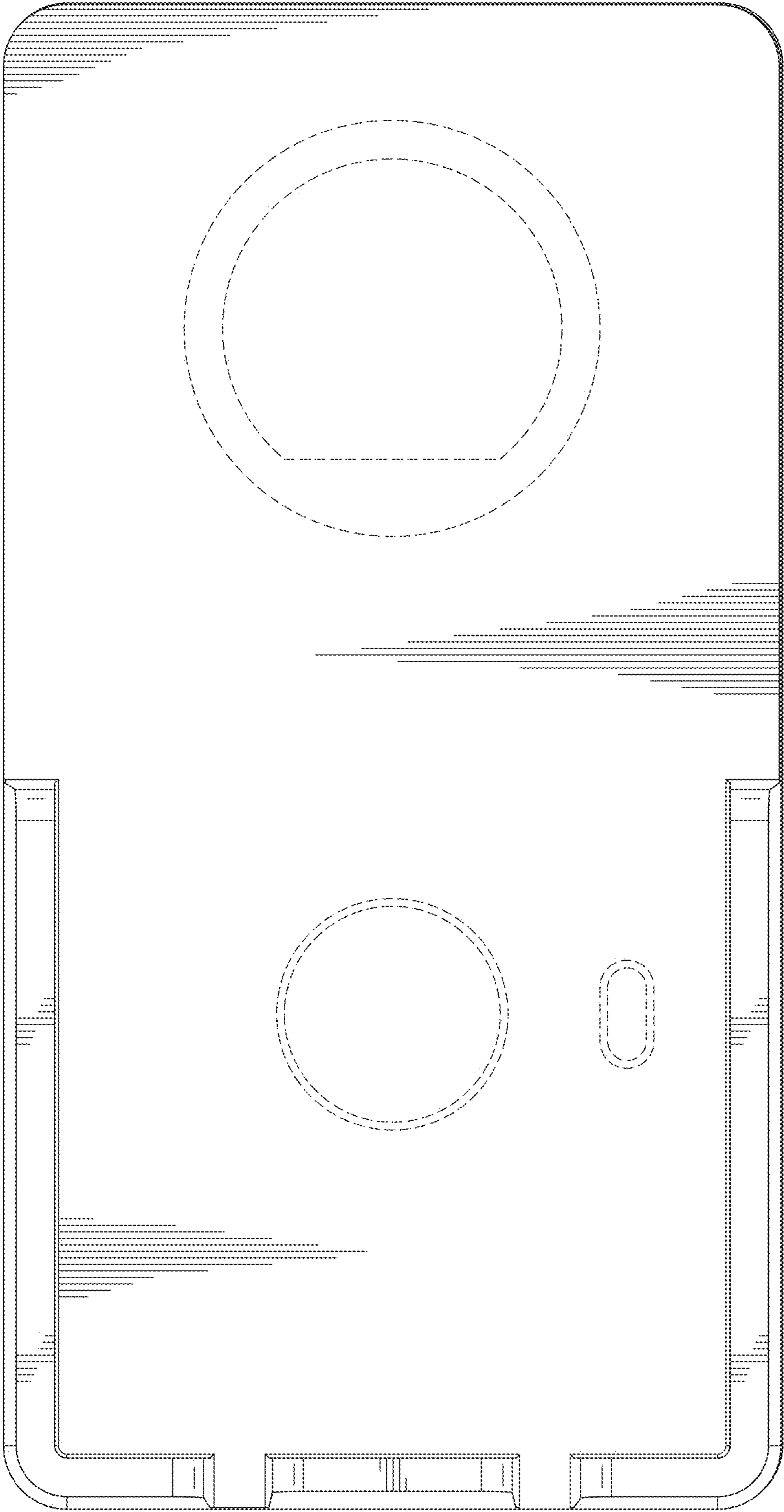


FIG. 6

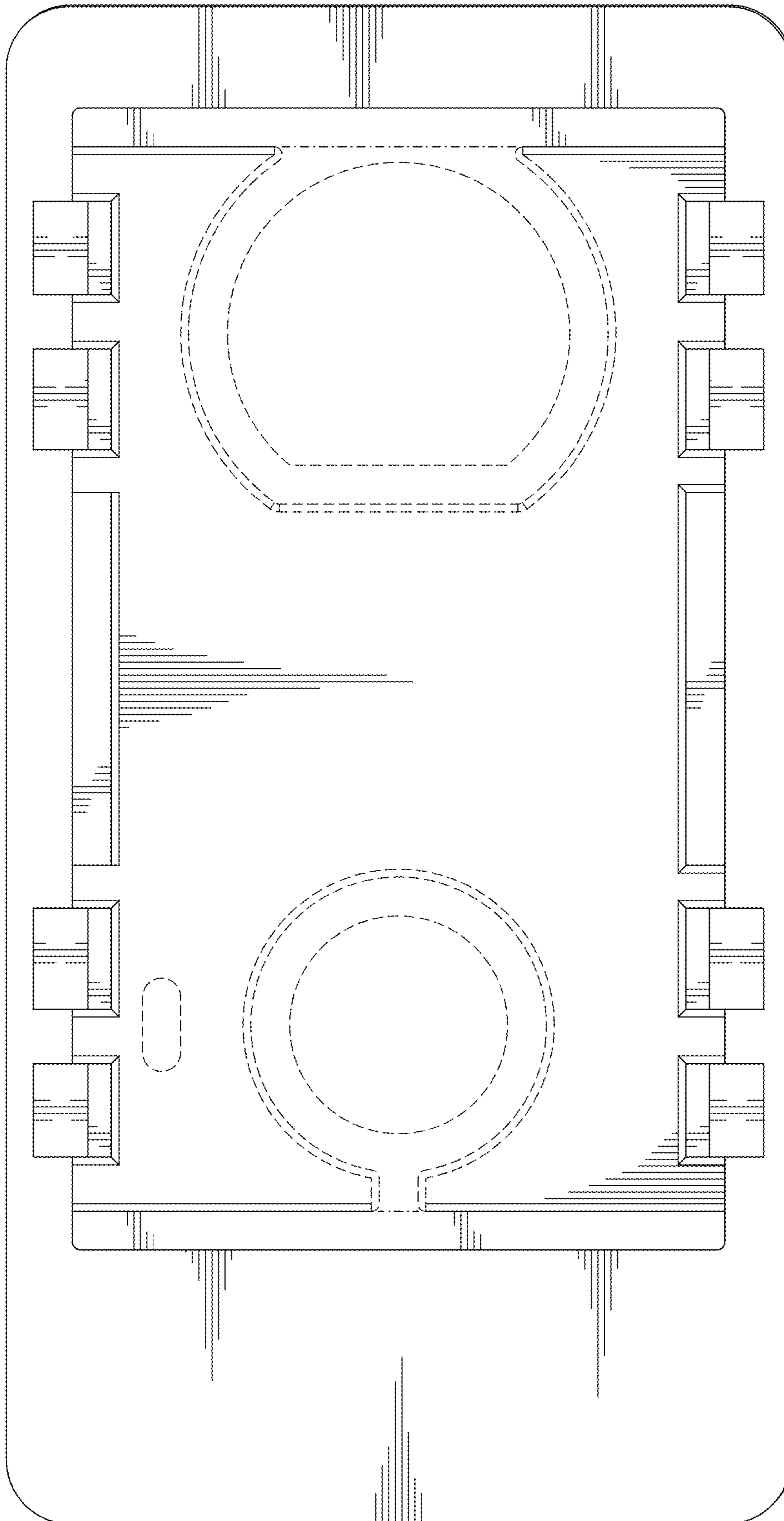


FIG. 7

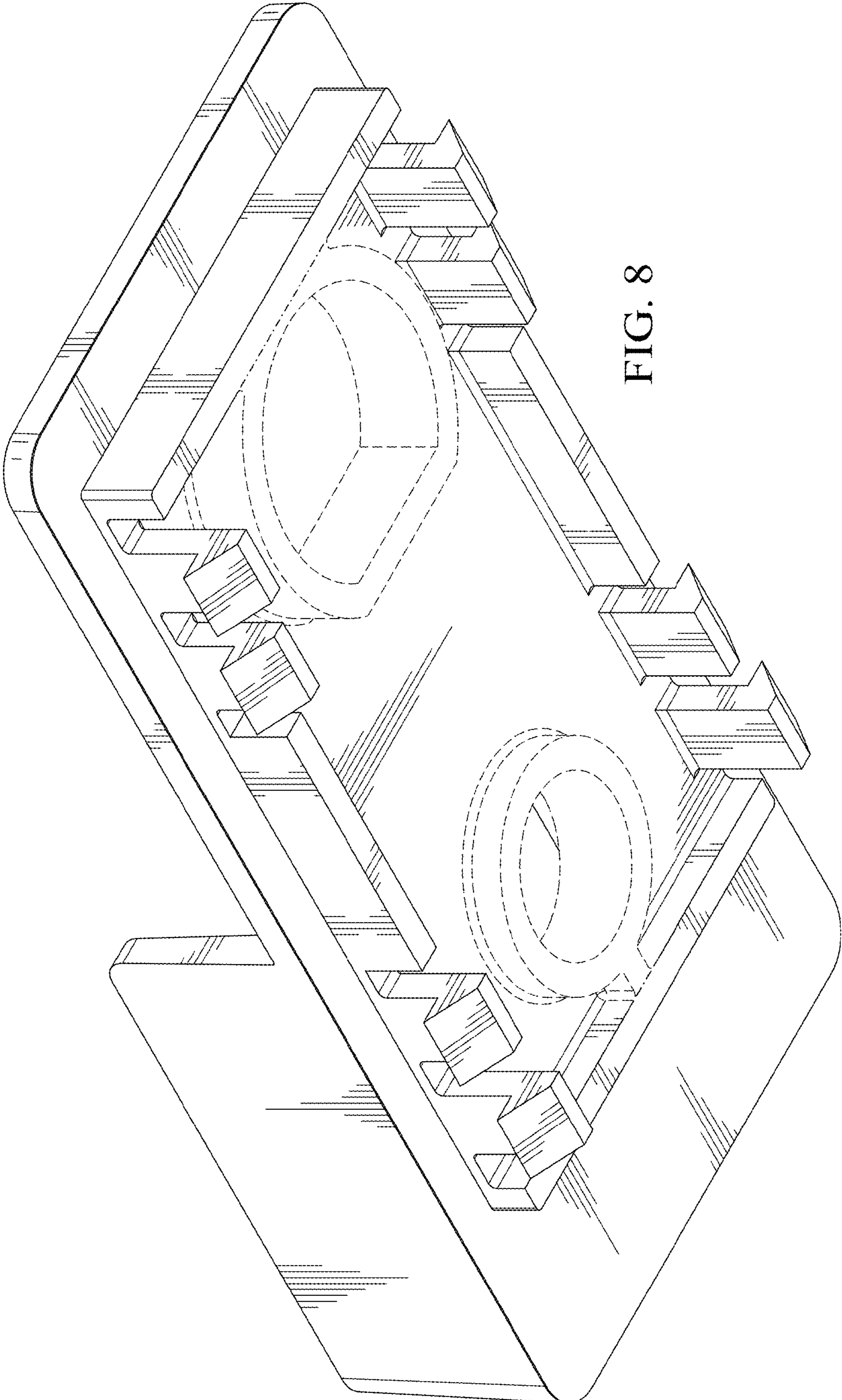


FIG. 8