



US00D949110S

(12) **United States Design Patent**  
**Byrne et al.**

(10) **Patent No.:** **US D949,110 S**  
(45) **Date of Patent:** **\*\* Apr. 19, 2022**

(54) **ELECTRICAL RECEPTACLE**

(71) Applicants: **Norman R. Byrne**, Ada, MI (US);  
**Alvin J. Smelik**, Sand Lake, MI (US)

(72) Inventors: **Norman R. Byrne**, Ada, MI (US);  
**Alvin J. Smelik**, Sand Lake, MI (US)

(\*\*) Term: **15 Years**

(21) Appl. No.: **29/712,714**

(22) Filed: **Nov. 11, 2019**

(51) **LOC (13) Cl.** ..... **13-03**

(52) **U.S. Cl.**  
USPC ..... **D13/137.1**

(58) **Field of Classification Search**  
USPC ... D13/110, 133, 137.1, 137.2, 137.3, 137.4,  
D13/137.5, 137.6, 137.7, 137.8, 137.9,  
D13/138.1, 138.2, 138.3, 138.4, 138.5,  
D13/138.6, 138.7, 138.8, 138.9, 139.1,  
D13/139.2, 139.3, 139.4, 139.5, 139.6,  
D13/139.7, 139.8, 152, 199; D14/433;  
D8/350, 353  
CPC .... H01R 35/04; H01R 2103/00; H01R 31/06;  
H01R 31/005; H01R 2201/06; H01R  
13/665; H01R 13/7135; H01R 13/652;  
H01R 13/506; H01R 13/514; H01R  
13/518; H01R 13/6272; H01R 13/46;  
G06F 13/4022; G06F 13/382; G06F  
1/1632; G06F 1/1684; G06F 1/20; G06F  
1/1607; H02J 7/0062; H02J 2007/0062;  
H02J 7/00043;

(Continued)

(56) **References Cited**

**U.S. PATENT DOCUMENTS**

2,249,827 A 7/1941 Herman  
3,611,257 A 10/1971 Carkhuff  
3,850,496 A 11/1974 Hague

(Continued)

**FOREIGN PATENT DOCUMENTS**

GB 2009105 \* 1/1991  
GB 6089591 \* 5/2020  
JP D1627832 \* 4/2019

**OTHER PUBLICATIONS**

Heyco datasheet entitled "Preassembled Cordset Components: Tri-Tap Premold-NEMA 5-15R," available at [http://www.heyco.com/Power\\_Components/pdf/8-28.pdf](http://www.heyco.com/Power_Components/pdf/8-28.pdf).

(Continued)

*Primary Examiner* — Rosemary K Tarcza

*Assistant Examiner* — Seth David Kumpf

(74) *Attorney, Agent, or Firm* — Gardner, Linn, Burkhardt & Ondersma LLP

(57) **CLAIM**

The ornamental design for an electrical receptacle, as shown and described.

**DESCRIPTION**

FIG. 1 is a top-right perspective view of an electrical receptacle showing our new design, viewed toward the front;

FIG. 2 is a bottom-left perspective view thereof, viewed toward the front;

FIG. 3 is a top-left perspective view thereof, viewed toward the rear;

FIG. 4 is a bottom-left perspective view thereof, viewed toward the rear;

FIG. 5 is a front elevation thereof;

FIG. 6 is a rear elevation thereof;

FIG. 7 is a right side elevation thereof;

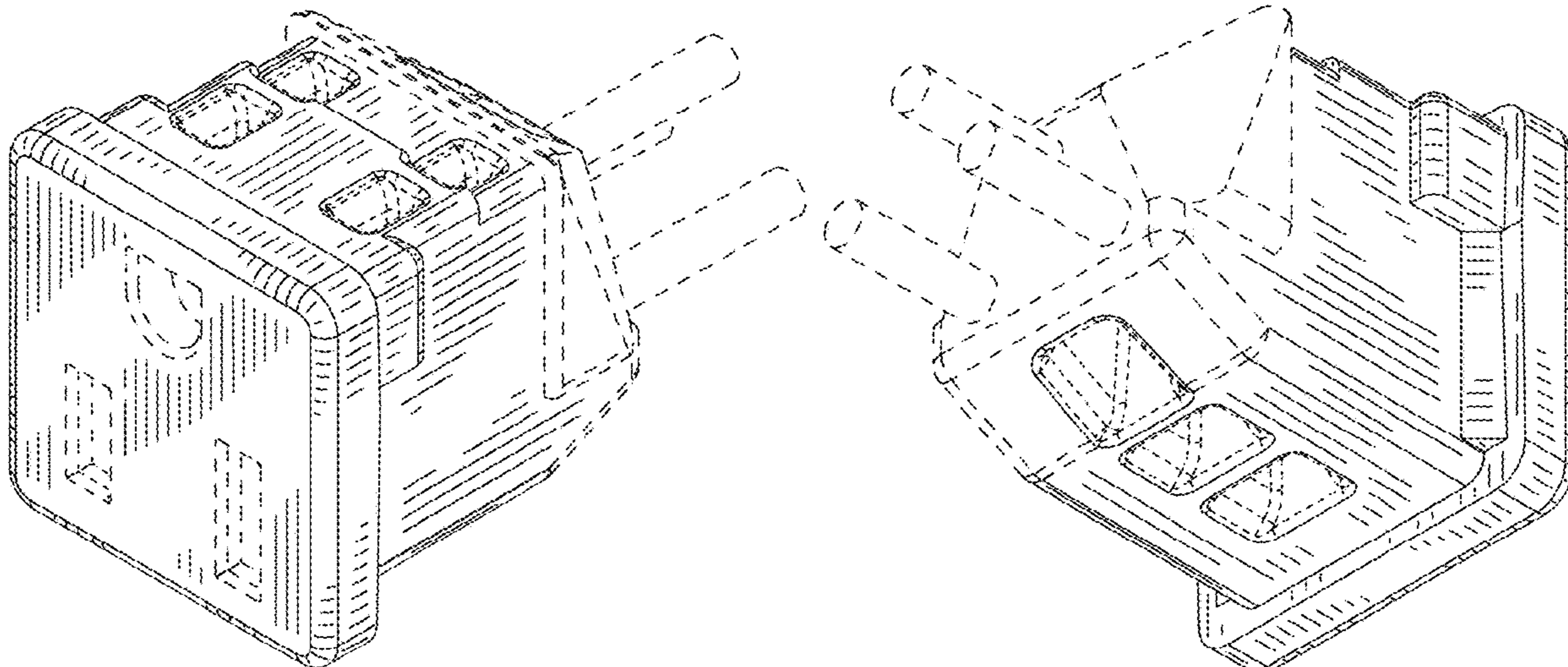
FIG. 8 is a left side elevation thereof;

FIG. 9 is a top plan view thereof; and,

FIG. 10 is a bottom plan view thereof.

The broken lines showing portions of the electrical receptacle are included for the purpose of illustrating portions of the article that form no part of the claimed design.

**1 Claim, 5 Drawing Sheets**



(58) **Field of Classification Search**  
 CPC ..... H02J 7/0021; H02J 7/0026; H02J 7/0027;  
 H02J 7/0045; H02H 13/16; H02G 3/088  
 See application file for complete search history.

(56) **References Cited**

U.S. PATENT DOCUMENTS

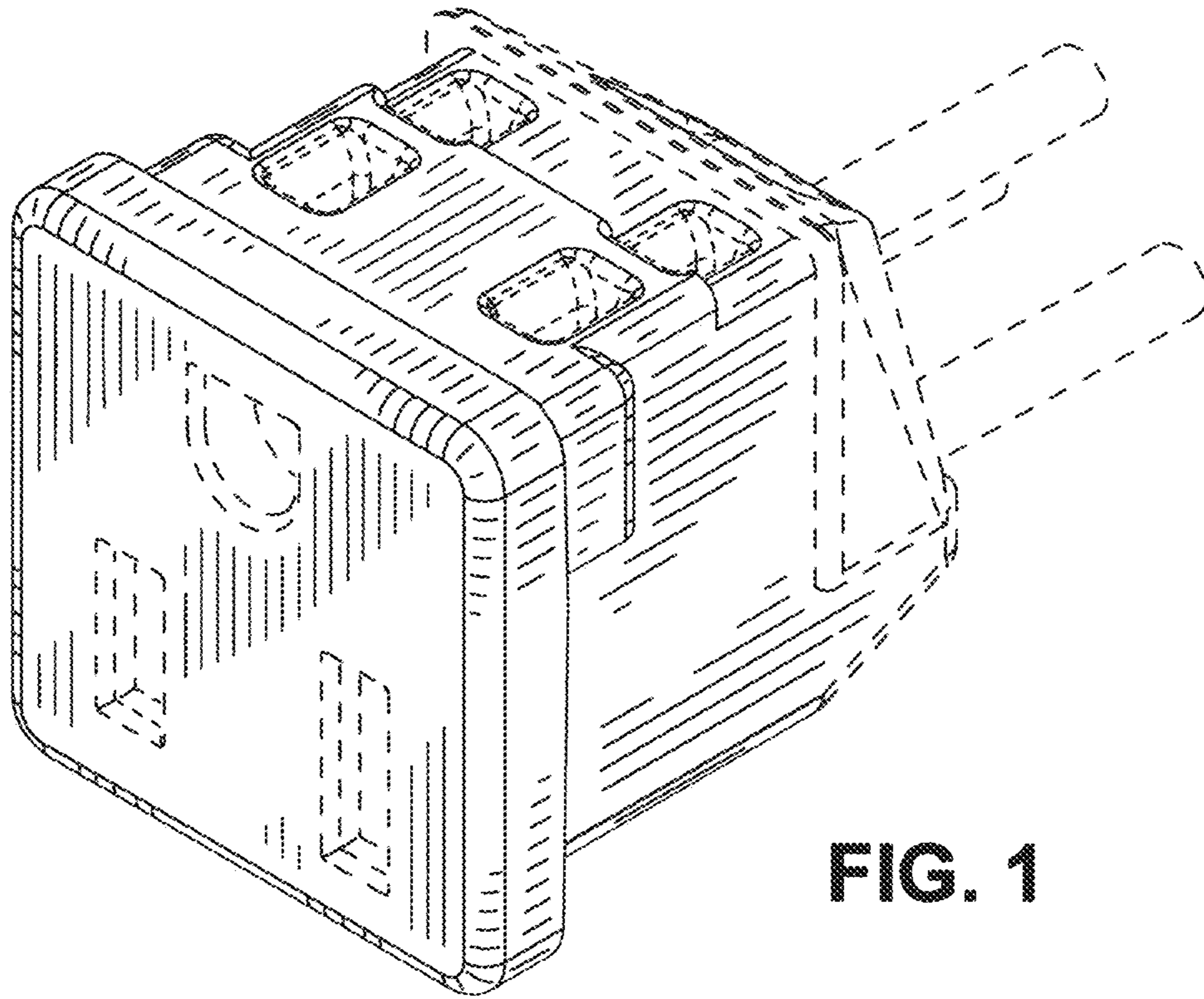
4,743,999	A *	5/1988	Hames .....	H01R 13/6666	
				361/111	
5,234,355	A	8/1993	Sosinski et al.		
5,647,751	A	7/1997	Shulman et al.		
D430,539	S	9/2000	Leopold et al.		
6,290,512	B1	9/2001	Mullen, Jr.		
6,488,540	B2	12/2002	Coyle, Jr. et al.		
6,981,896	B2	1/2006	Su		
7,244,128	B2	7/2007	Byrne		
7,258,564	B1	8/2007	Su		
D558,676	S	1/2008	Fort et al.		
D568,816	S	5/2008	Michaels		
D573,950	S	7/2008	Schwartz		
7,435,091	B1 *	10/2008	Cruz .....	H01R 31/06	
				439/18	
7,833,037	B2	11/2010	Reusche et al.		
D674,754	S	1/2013	Zanoni et al.		

8,444,432	B2	5/2013	Byrne et al.		
8,480,415	B2	7/2013	Byrne		
8,512,065	B2	8/2013	Byrne et al.		
D701,836	S	4/2014	Byrne		
9,059,530	B2	6/2015	Byrne et al.		
9,368,924	B2	6/2016	Byrne et al.		
D788,709	S *	6/2017	Yeo .....	D13/137.2	
D869,398	S *	12/2019	Wang .....	D13/137.3	
10,811,809	B2	10/2020	Byrne et al.		
2011/0244700	A1 *	10/2011	Byrne .....	H01R 13/52	
				439/137	
2012/0231652	A1 *	9/2012	Byrne .....	H01R 4/2433	
				439/391	
2015/0044884	A1 *	2/2015	Lin .....	H01R 35/04	
				439/31	
2017/0149177	A1 *	5/2017	Gzybowski .....	H01R 13/641	
2020/0388955	A1	12/2020	Byrne et al.		

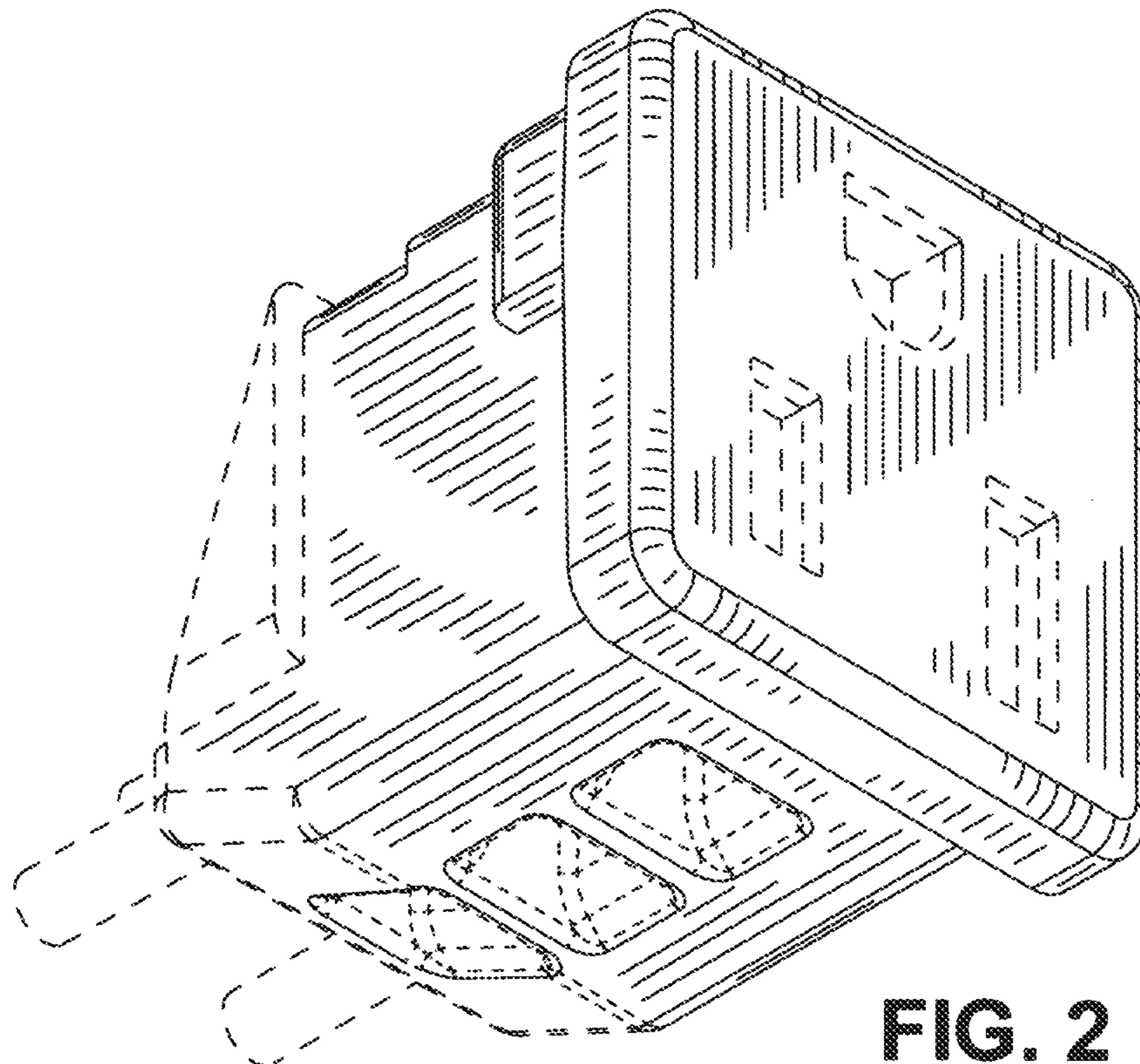
OTHER PUBLICATIONS

<http://www.granger.com/Grainger/Plug-Adaptor-11K293?Pid=search> RMS May 2, 2013.  
[http://www.zingearpc.en.ec21.com/Zing\\_Ear\\_Snap\\_In\\_Receptacle-5769349\\_5769674.html](http://www.zingearpc.en.ec21.com/Zing_Ear_Snap_In_Receptacle-5769349_5769674.html), searched RMS 5/2/20133.

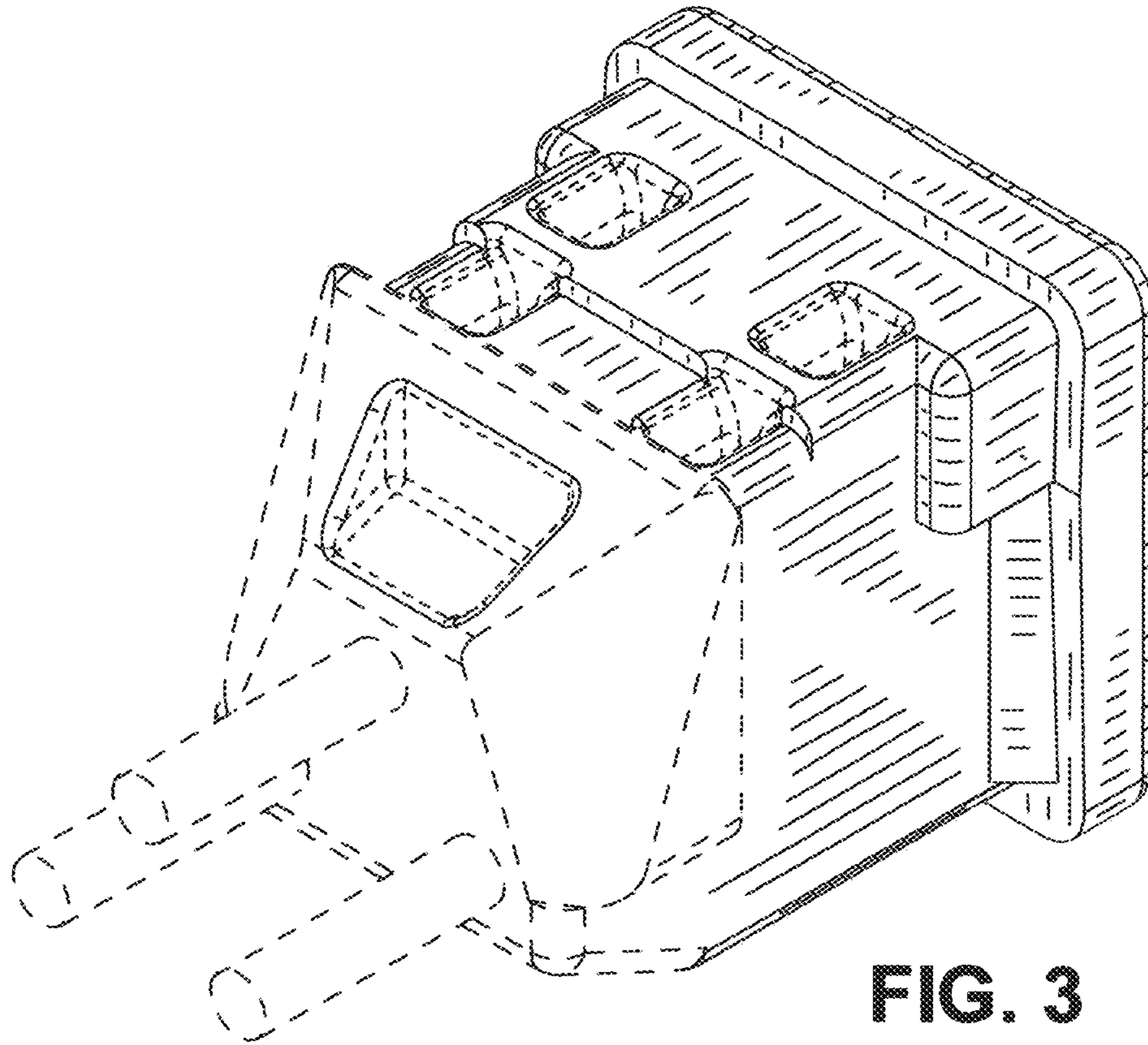
\* cited by examiner



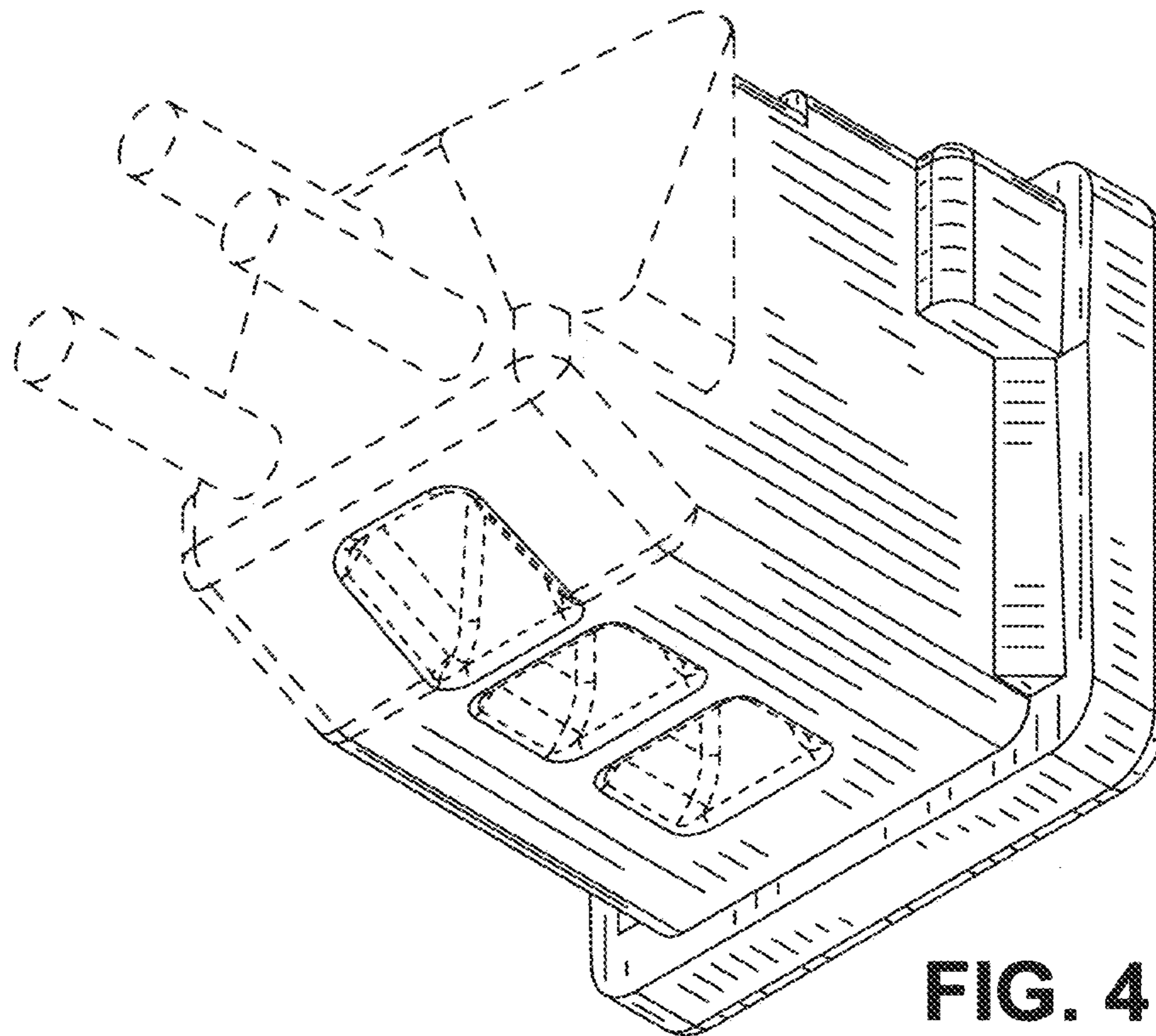
**FIG. 1**



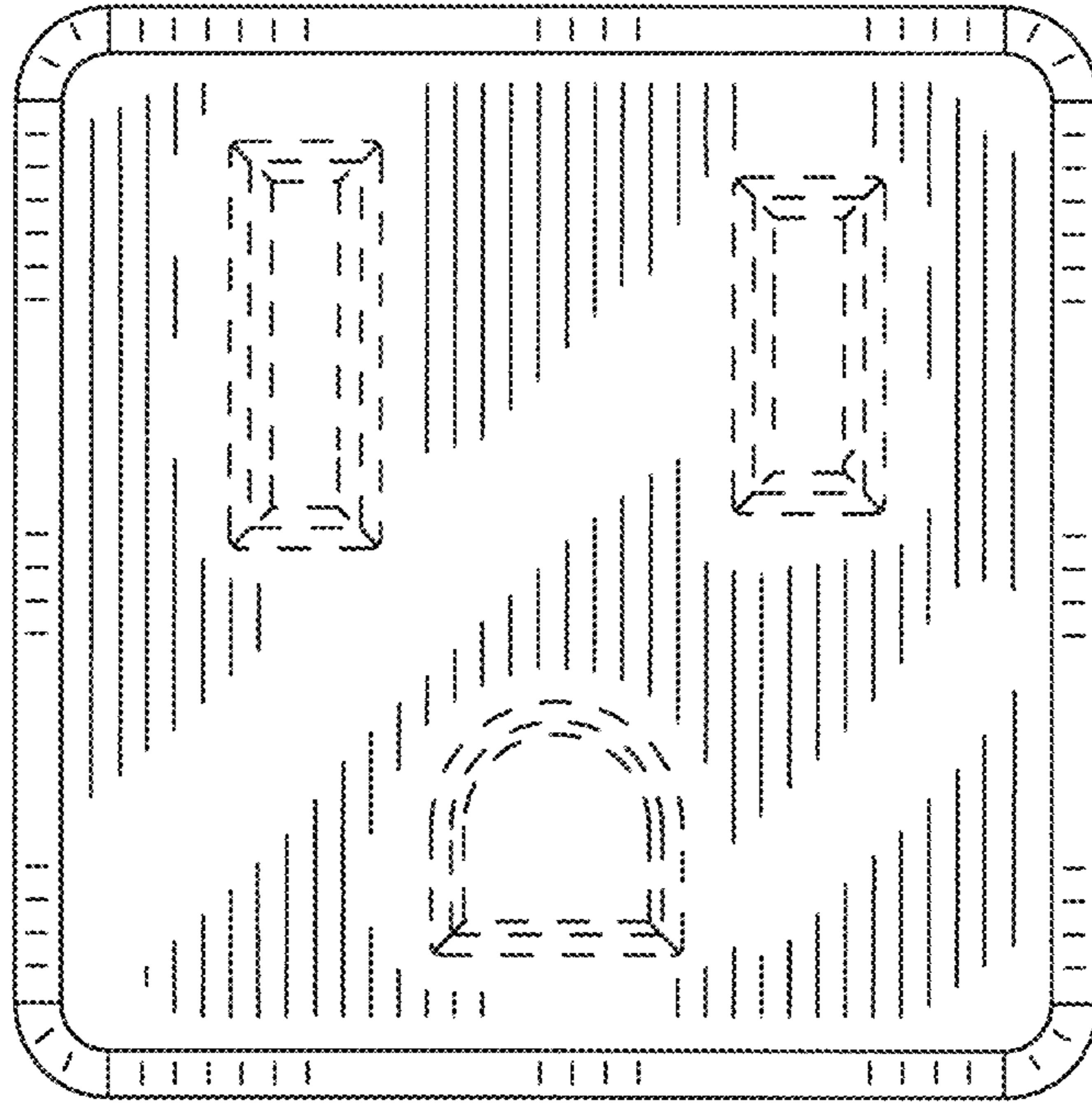
**FIG. 2**



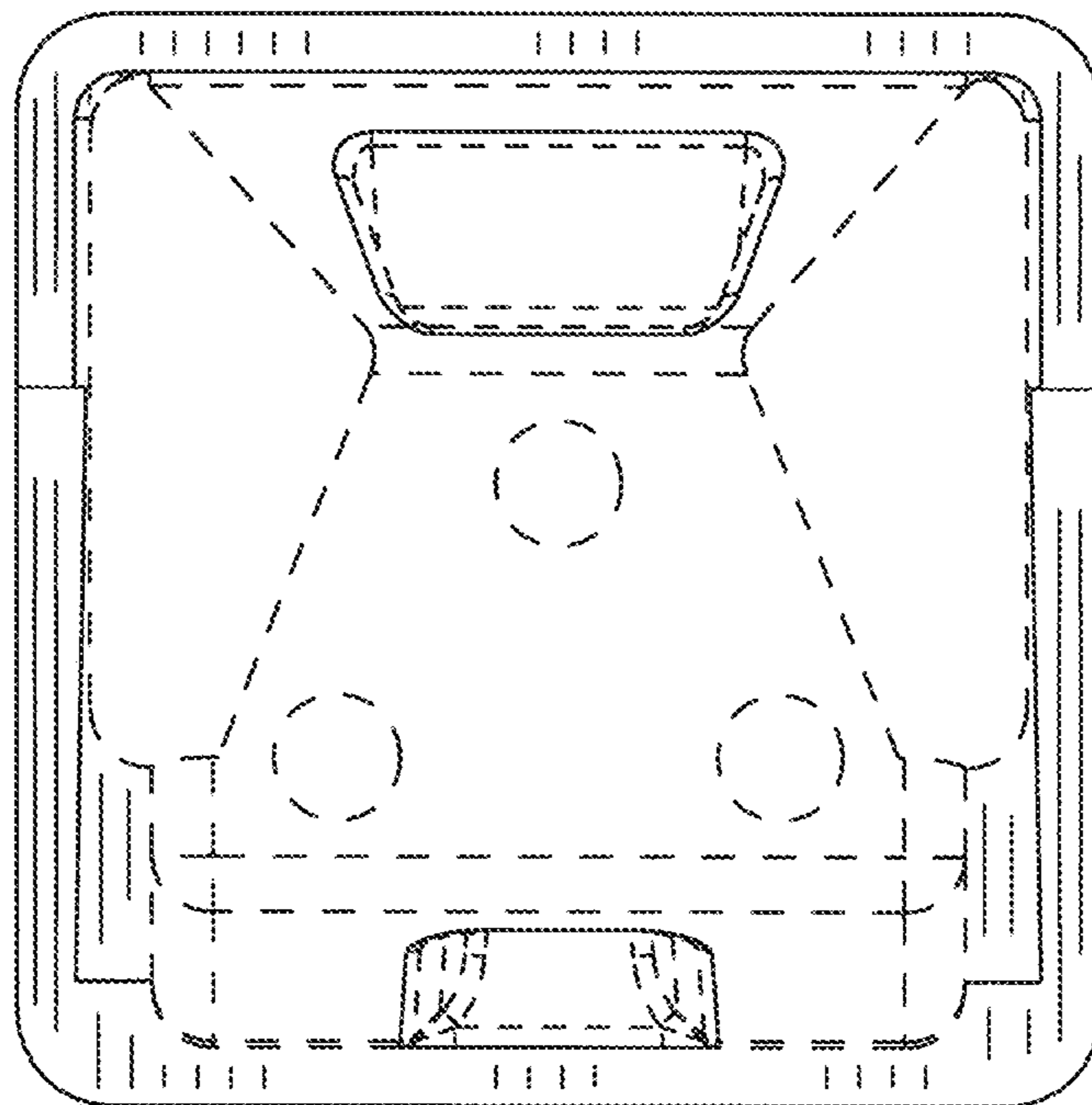
**FIG. 3**



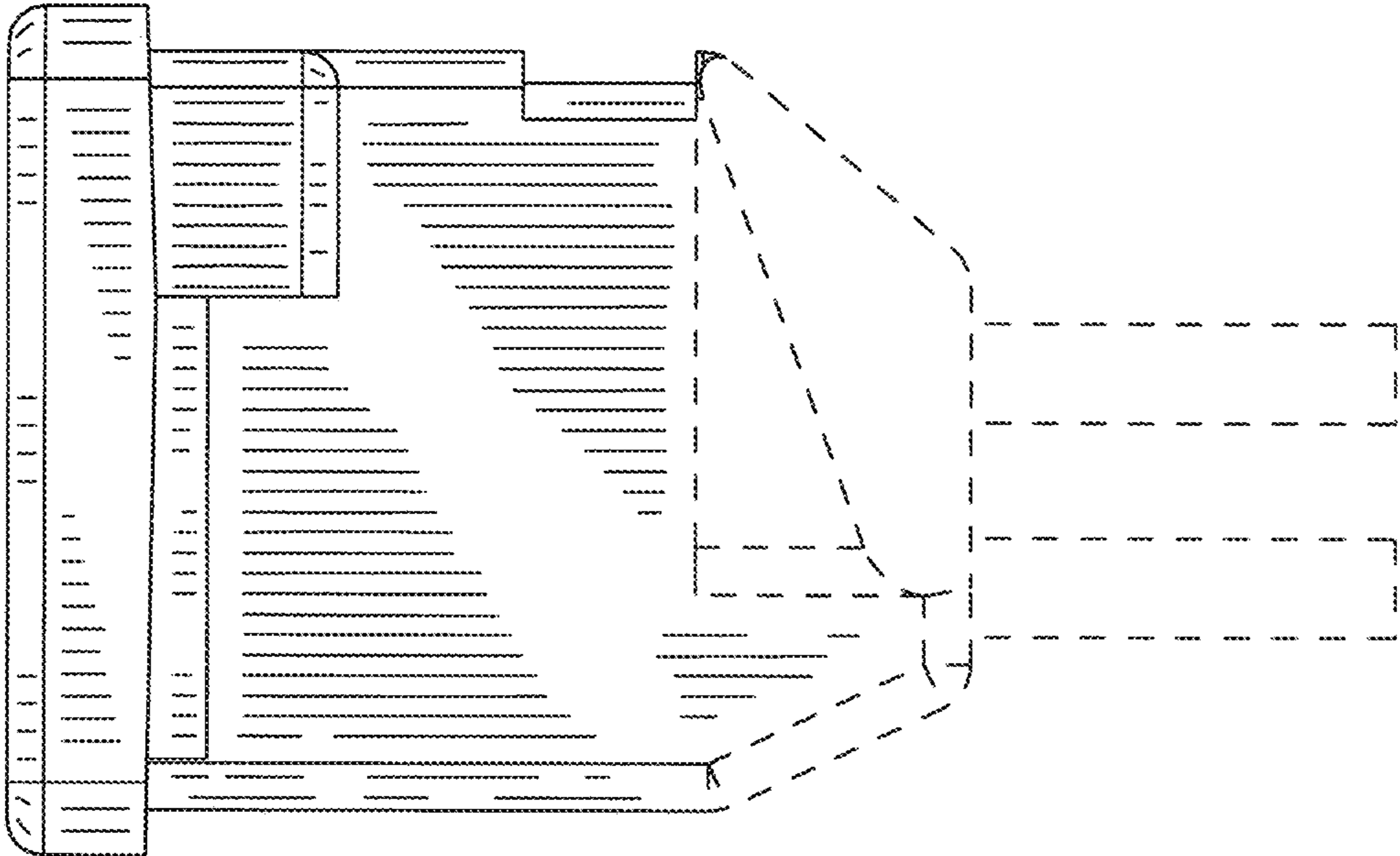
**FIG. 4**



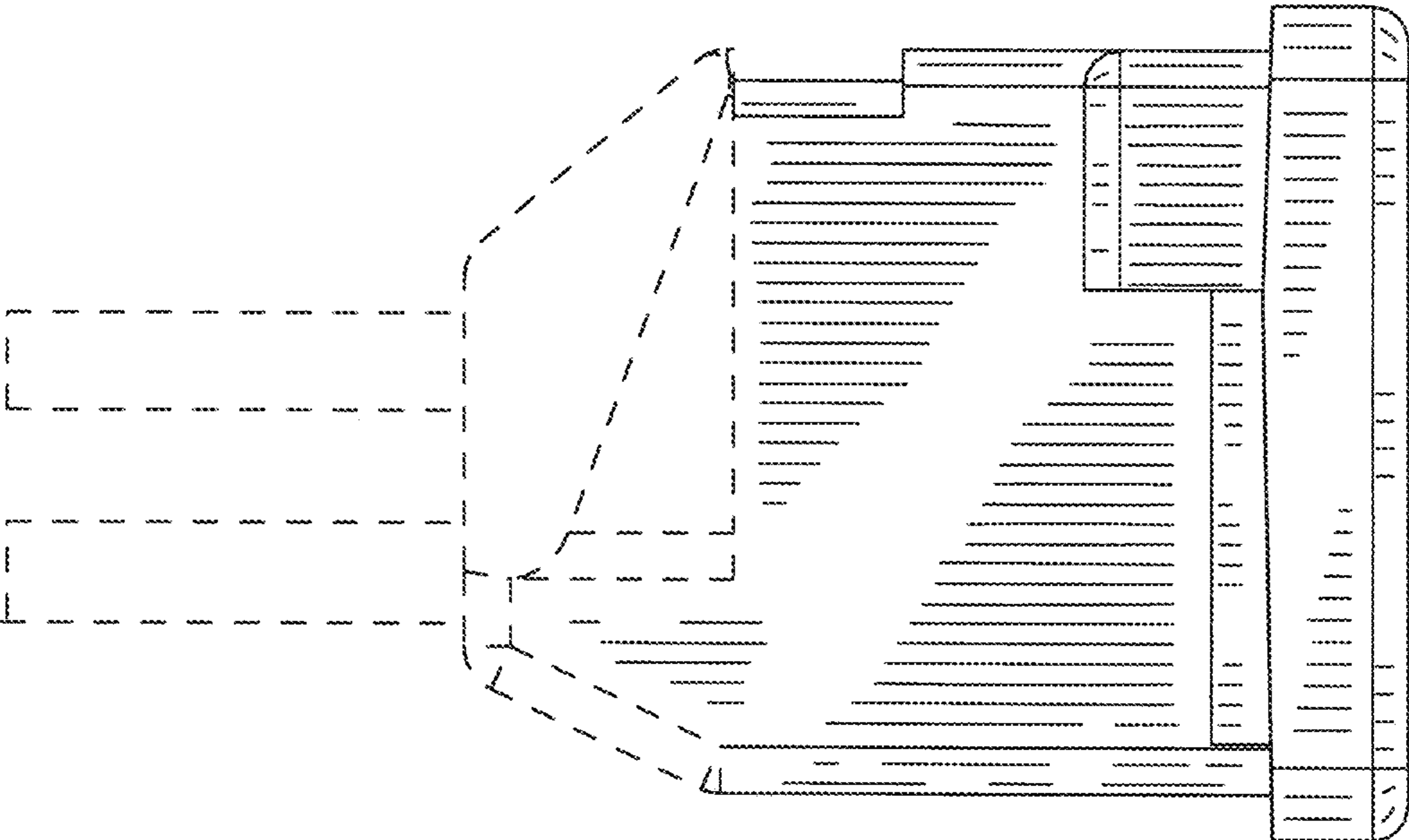
**FIG. 5**



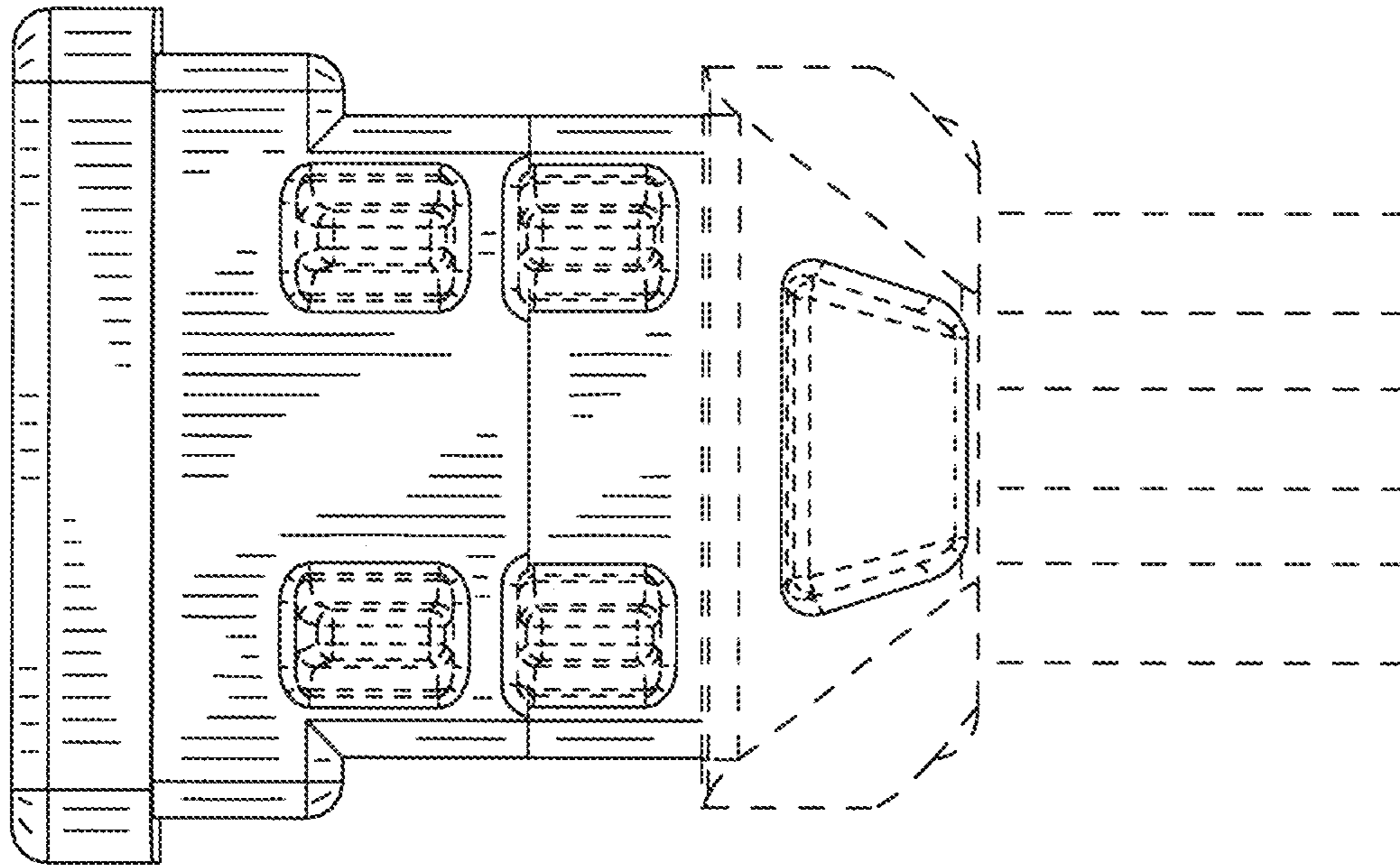
**FIG. 6**



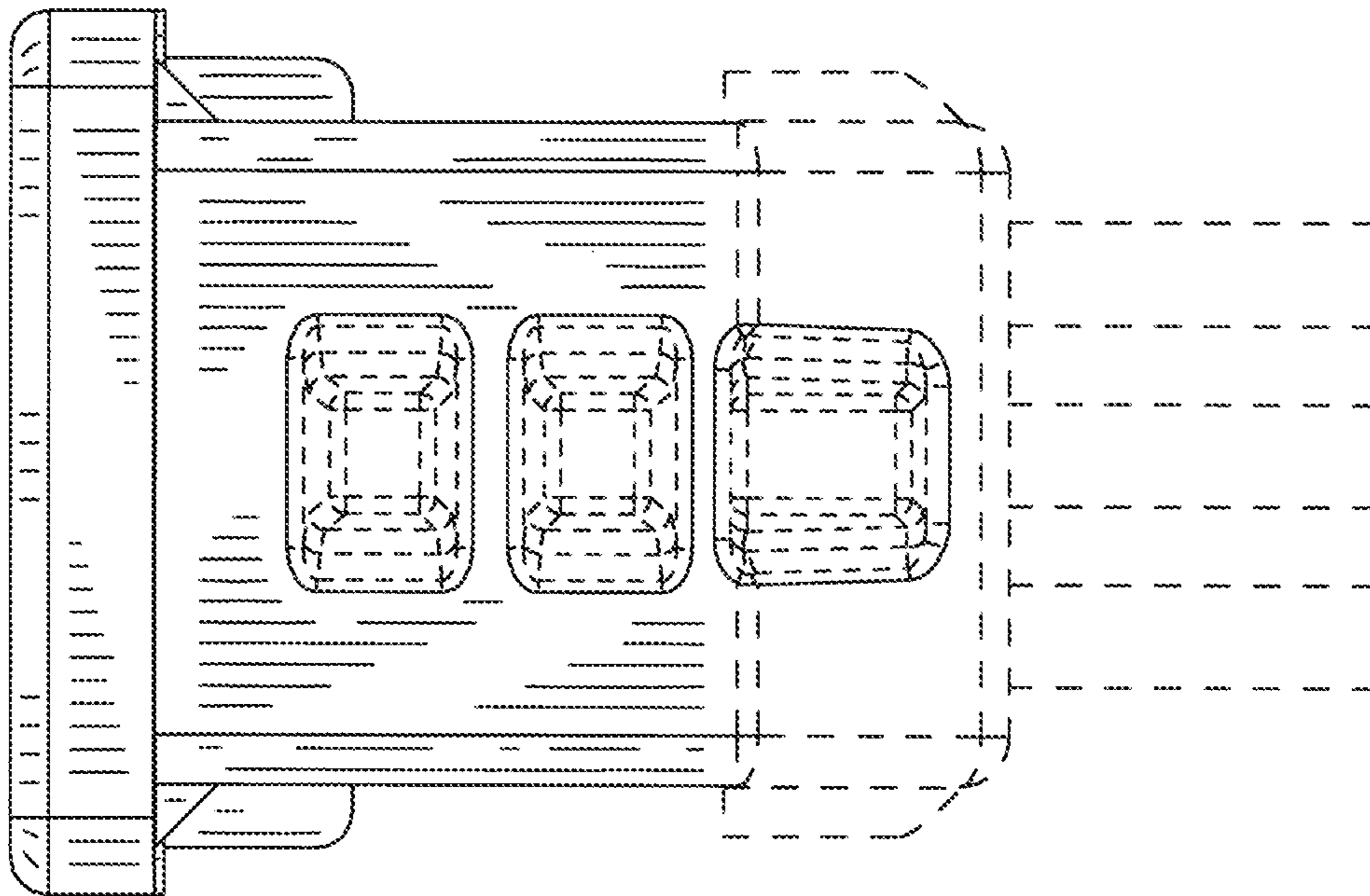
**FIG. 7**



**FIG. 8**



**FIG. 9**



**FIG. 10**