



US00D949108S

(12) **United States Design Patent** (10) **Patent No.:** **US D949,108 S**  
**Cruice et al.** (45) **Date of Patent:** **\*\* Apr. 19, 2022**

(54) **ELECTRICAL CONNECTOR FOR CONNECTING WITH AN ELECTRICAL DEVICE**

(71) Applicant: **Nicoventures Trading Limited**, London (GB)

(72) Inventors: **Anthony Cruice**, London (GB); **Ainsley Cox**, London (GB)

(73) Assignee: **Nicoventures Trading Limited**, London (GB)

(\*\*) Term: **15 Years**

(21) Appl. No.: **29/718,084**

(22) Filed: **Dec. 20, 2019**

(30) **Foreign Application Priority Data**

Jun. 21, 2019 (EM) ..... 006589719  
Aug. 8, 2019 (EM) ..... 006692109

(51) **LOC (13) Cl.** ..... **13-03**

(52) **U.S. Cl.**  
USPC ..... **D13/133**

(58) **Field of Classification Search**  
USPC ..... D13/108, 110, 118, 120, 123, 133, 146,  
D13/147, 149, 151, 153, 154, 173, 184,  
D13/199; D14/433

(Continued)

(56) **References Cited**

**U.S. PATENT DOCUMENTS**

D609,184 S \* 2/2010 Liu ..... D13/147  
D630,592 S 1/2011 Matsuoka

(Continued)

**FOREIGN PATENT DOCUMENTS**

EM 001761719-0002 9/2010  
KR 30-1033407 11/2019

**OTHER PUBLICATIONS**

Vype & House Of Holland Reveal Exclusive Collaboration, dated Oct. 19, 2018, [online], [site visited May 3, 2021]. Available from Internet, URL: <https://entertainment-focus.com/2018/10/19/vype-house-of-holland-reveal-exclusive-collaboration/> (Year: 2018).\*

(Continued)

*Primary Examiner* — Shawn T Gingrich

(74) *Attorney, Agent, or Firm* — Patterson Thuent Pedersen, P.A.

(57) **CLAIM**

We claim the ornamental design for an electrical connector for connecting with an electrical device, as shown and described.

**DESCRIPTION**

FIG. 1 is a top perspective view of an electrical connector for connecting with an electrical device.

FIG. 2 is a front elevational view of the electrical connector for connecting with an electrical device depicted in FIG. 1.

FIG. 3 is a rear elevational view of the electrical connector for connecting with an electrical device depicted in FIG. 1.

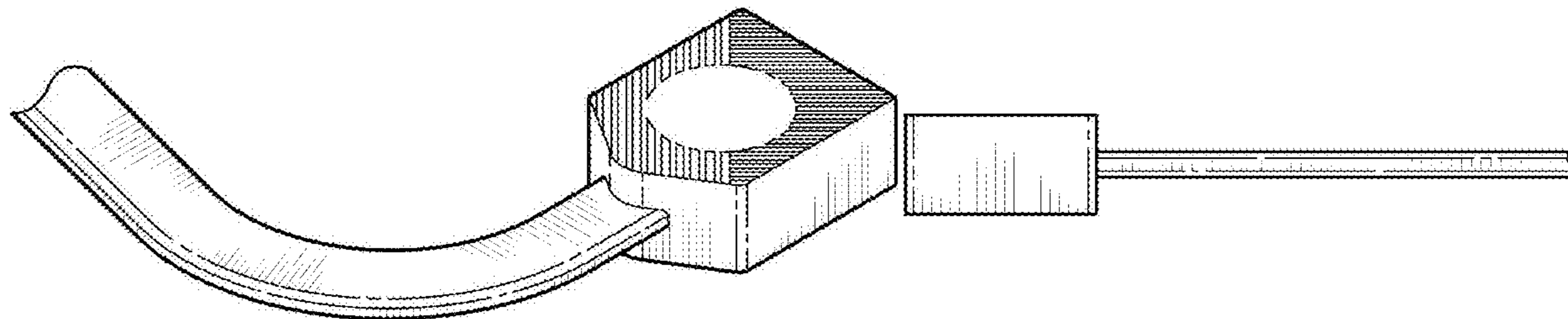
FIG. 4 is a right side elevational view of the electrical connector for connecting with an electrical device depicted in FIG. 1.

FIG. 5 is a left side elevational view of the electrical connector for connecting with an electrical device depicted in FIG. 1.

FIG. 6 is a top plan view of the electrical connector for connecting with an electrical device depicted in FIG. 1; and, FIG. 7 is a bottom plan view of the electrical connector for connecting with an electrical device depicted in FIG. 1.

The wavy line at the end of the cable represents a symbolic break in length. The appearance of any portion of the article beyond the break line forms to part of the claimed design.

**1 Claim, 5 Drawing Sheets**



(58) **Field of Classification Search**

CPC ..... G06F 13/40; G06F 13/42; H01R 12/00;  
 H01R 13/00; H01R 13/02; H01R 13/516;  
 H01R 13/627; H01R 13/629; H01R  
 13/6581; H01R 24/00; H01R 24/60

See application file for complete search history.

2007/0008928	A1	1/2007	Kezys	
2009/0010222	A1	1/2009	Jechoux	
2009/0215438	A1	8/2009	Mittal et al.	
2013/0324125	A1	12/2013	Bachmann et al.	
2014/0177600	A1	6/2014	Tsai et al.	
2015/0214670	A1*	7/2015	Di .....	H01R 13/506 439/607.55

(56) **References Cited**

U.S. PATENT DOCUMENTS

D680,076	S *	4/2013	McManigal .....	D13/147
D714,226	S *	9/2014	Chang .....	D13/147
D730,833	S *	6/2015	Lewis, Jr. ....	D13/133
D737,206	S *	8/2015	Lewis, Jr. ....	D13/133
D770,974	S *	11/2016	Dentzel .....	D13/108
D823,260	S *	7/2018	Petersen .....	D13/153
D823,812	S *	7/2018	Hsieh .....	D13/153
D898,032	S *	10/2020	Yuan .....	D14/433
D904,985	S *	12/2020	Spiegel .....	D13/153
D935,419	S *	11/2021	Beck .....	D13/153
2005/0106938	A1*	5/2005	Nishio .....	H01R 13/6598 439/607.01
2005/0250369	A1*	11/2005	Ferderer .....	H01R 13/627 439/352

2015/0282013	A1	10/2015	Kim et al.
2016/0165508	A1	6/2016	Jin
2016/0165518	A1	6/2016	Keller et al.
2016/0295385	A1	10/2016	Wang et al.

OTHER PUBLICATIONS

Application and File History for U.S. Appl. No. 29/718,076, filed Dec. 20, 2019. Inventors: Anthony Cruice et al.  
 Application and File History for U.S. Appl. No. 29/718,080, filed Dec. 20, 2019. Inventors: Anthony Cruice et al.  
 Application and File History for U.S. Appl. No. 29/718,090, filed Dec. 20, 2019. Inventors: Anthony Cruice et al.  
 VIP Premium Vaping and E-Liquids, Vype The Car Holder, <https://www.vipelectroniccigarette.co.uk/vype-accessories/product/vype-the-var-holder>, as accessed on Aug. 16, 2021, 4 pages.

\* cited by examiner

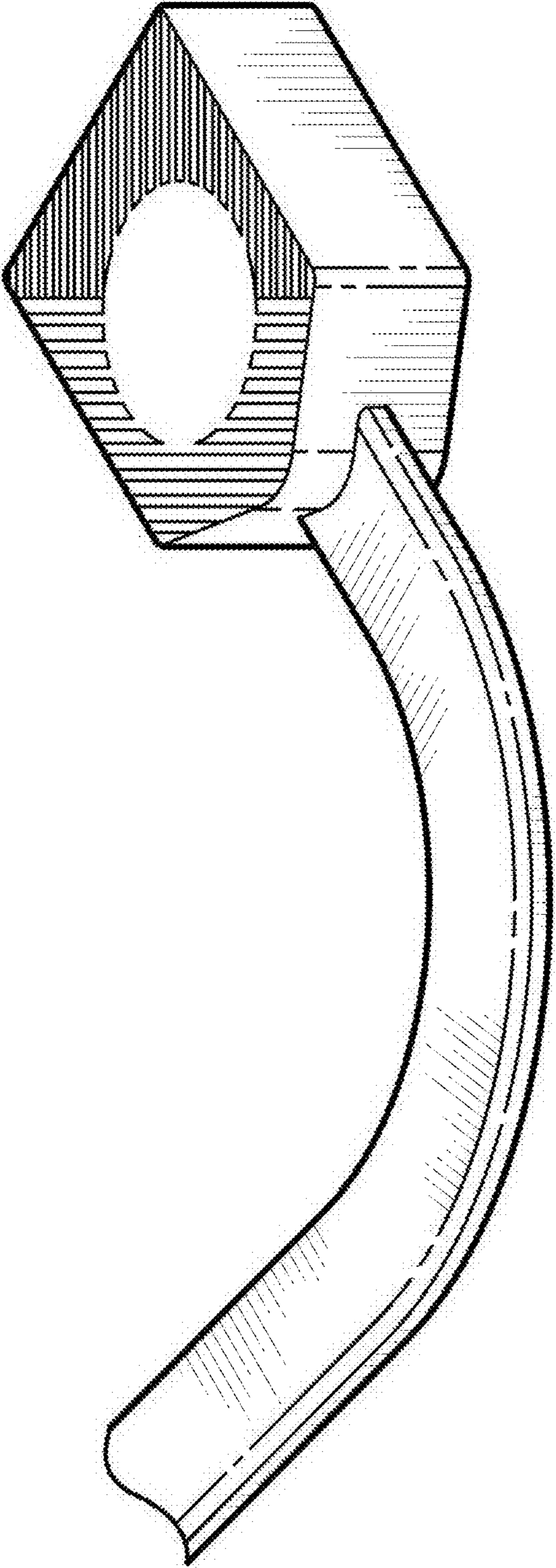


FIG. 1

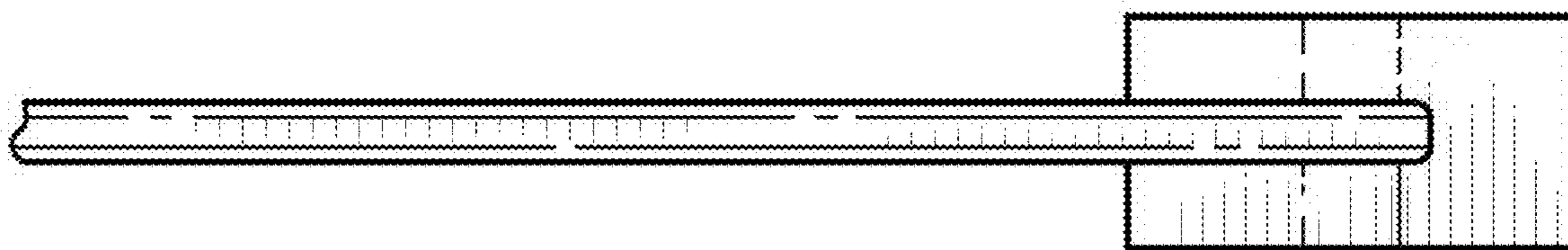


FIG . 2

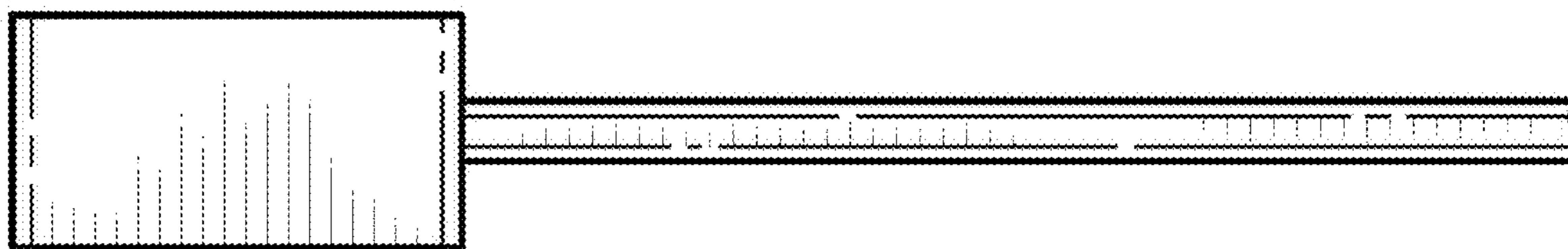


FIG . 3

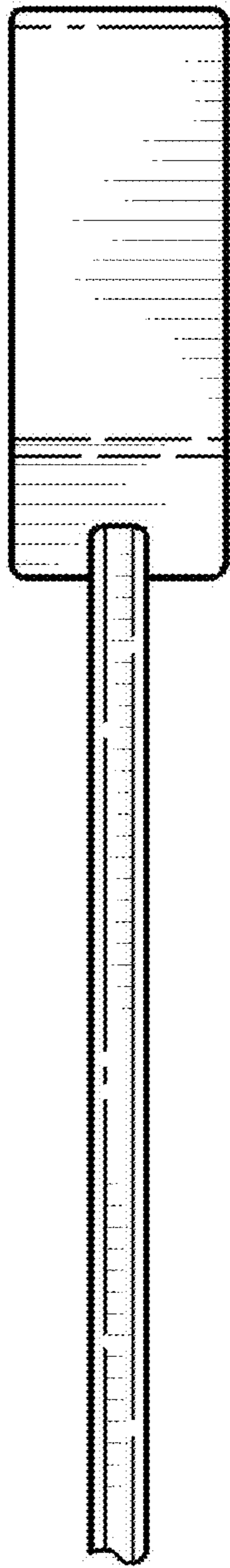


FIG. 4

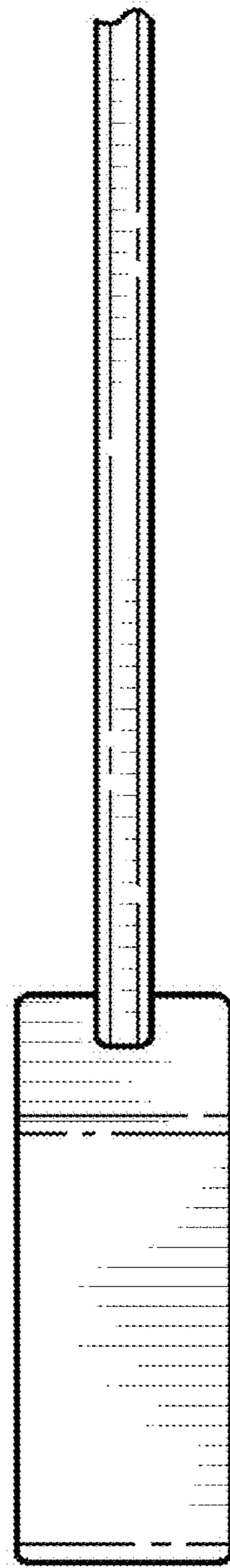


FIG. 5

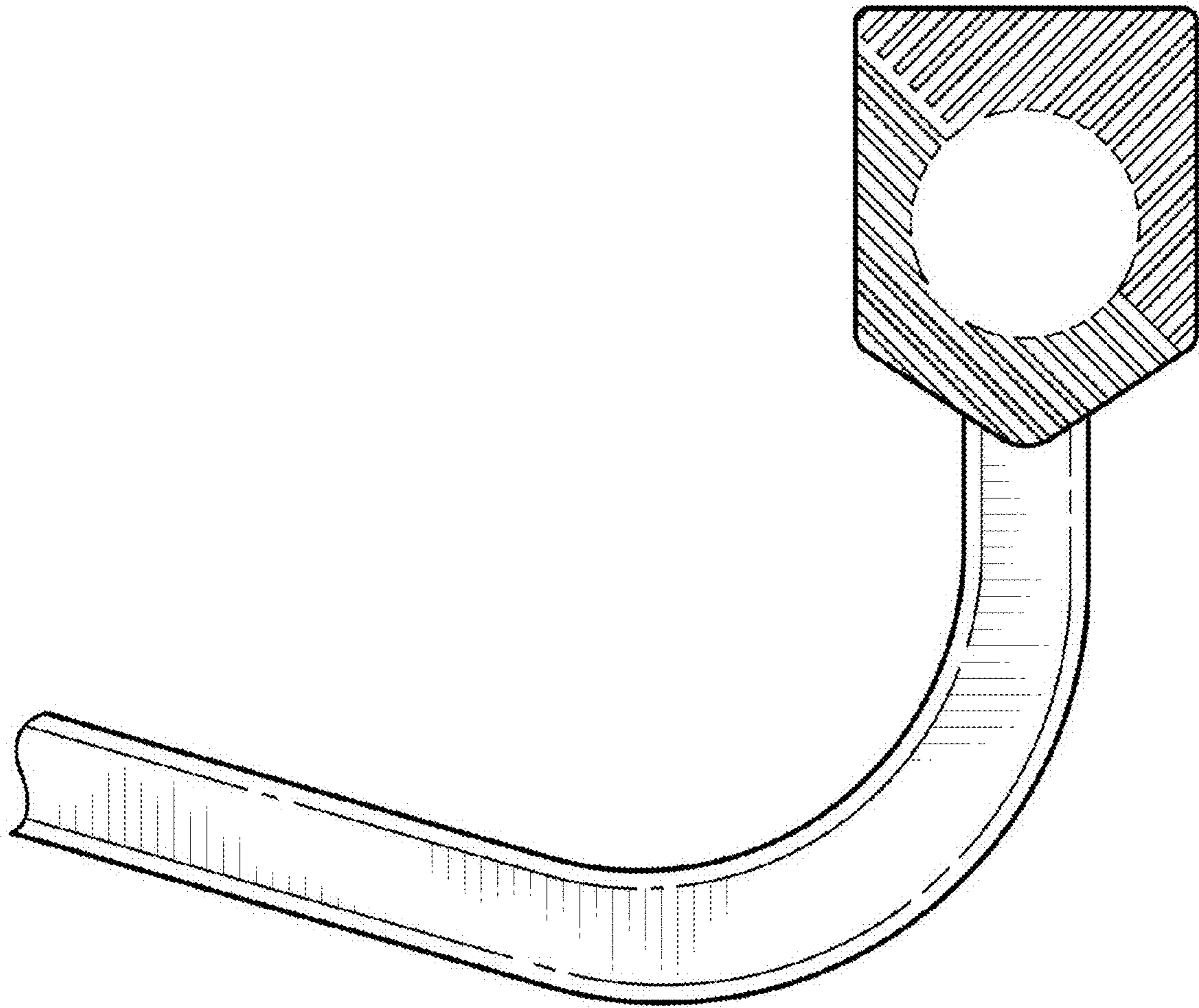


FIG . 6

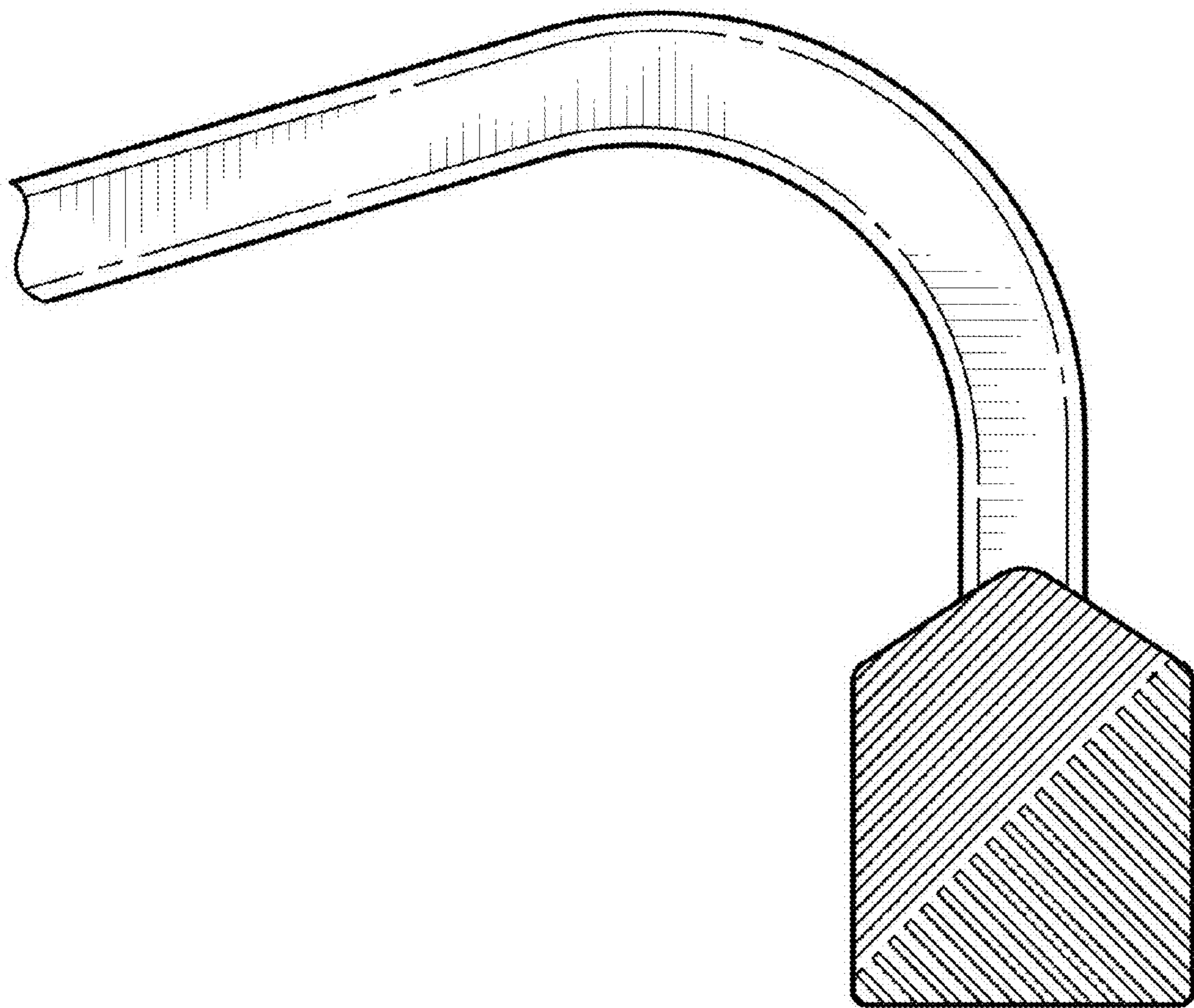


FIG . 7