



US00D949107S

(12) **United States Design Patent**  
**Meyer et al.**

(10) **Patent No.:** **US D949,107 S**  
(45) **Date of Patent:** **\*\* Apr. 19, 2022**

(54) **DUSTPLUG FOR A MULTIPOINT OPTICAL CONNECTION DEVICE**

(71) Applicant: **Corning Research & Development Corporation**, Corning, NY (US)

(72) Inventors: **Cameron Meyer**, Lewisville, TX (US);  
**Dayne Wilcox**, El Cerrito, CA (US);  
**Lee Alexander Webb**, Huntersville, NC (US);  
**Joel Christopher Rosson**, Hickory, NC (US)

(73) Assignee: **Corning Research & Development Corporation**, Corning, NY (US)

(\*\*) Term: **15 Years**

(21) Appl. No.: **29/718,008**

(22) Filed: **Dec. 20, 2019**

(51) **LOC (13) Cl.** ..... **13-03**

(52) **U.S. Cl.**  
USPC ..... **D13/133**

(58) **Field of Classification Search**  
USPC ..... D13/123, 133, 146, 147, 152, 154, 156,  
D13/158, 160, 162, 162.1, 173, 177, 184,  
D13/199, 112, 137.2; D14/242, 356, 433,  
D14/434, 435.1, 438, 435, 496  
CPC ..... G02B 6/38; G02B 6/3853; G02B 6/3885;  
G02B 6/3893; G02B 6/44; G02B 6/4455;  
G02B 6/3825; G02B 6/3877; G02B  
6/3897; G06B 6/3873  
See application file for complete search history.

(56) **References Cited**

**U.S. PATENT DOCUMENTS**

5,212,752	A	5/1993	Stephenson et al.	
5,673,346	A	9/1997	Iwano et al.	
D460,043	S *	7/2002	Fan Wong	D13/133
6,918,704	B2	7/2005	Marrs et al.	
7,277,614	B2	10/2007	Cody et al.	

D574,775	S	8/2008	Amidon	
7,811,006	B2	10/2010	Milette et al.	
D711,320	S	8/2014	Yang et al.	
9,081,154	B2	7/2015	Zimmel et al.	
D741,803	S *	10/2015	Davidson, Jr.	D13/133
D783,618	S	4/2017	Wu et al.	
9,910,224	B2 *	3/2018	Liu	G02B 6/3849
10,288,821	B2 *	5/2019	Isenhour	G02B 6/3887
D880,423	S *	4/2020	Obata	D13/133

(Continued)

**OTHER PUBLICATIONS**

UPC Optic Fiber Quick Connector. Date: May 13, 2016 [online].  
[Site visited Mar. 2, 2021]. Available from Internet URL: <https://www.amazon.com/dp/B01FLUV5DE/> (Year: 2016).\*

(Continued)

*Primary Examiner* — Susan Bennett Hattan  
*Assistant Examiner* — Landon Thomas Cassell  
(74) *Attorney, Agent, or Firm* — Michael E. Carroll, Jr.

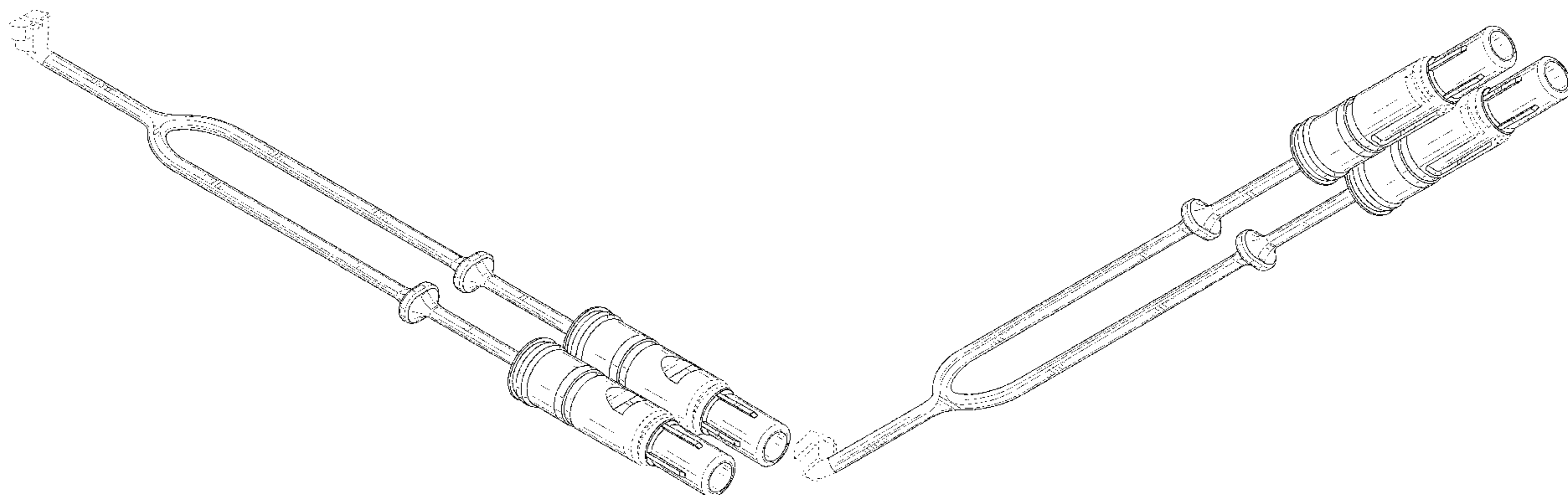
(57) **CLAIM**

The ornamental design for a dustplug for a multipoint optical connection device, as shown and described.

**DESCRIPTION**

FIG. 1 is a top perspective view of a dustplug for a multipoint optical connection device showing our new design; FIG. 2 is a bottom perspective view thereof FIG. 1; FIG. 3 is a front view thereof of FIG. 1; FIG. 4 is a rear view thereof of FIG. 1; FIG. 5 is a left side view thereof of FIG. 1; FIG. 6 is a right side view thereof of FIG. 1; FIG. 7 is a top view thereof of FIG. 1; and, FIG. 8 is a bottom view thereof of FIG. 1. In FIGS. 1-8, the evenly-spaced broken lines are included for the purpose of illustrating environmental structure and form no part of the claimed design.

**1 Claim, 5 Drawing Sheets**



(56)

References Cited

U.S. PATENT DOCUMENTS

2005/0213897 A1 9/2005 Palmer et al.  
 2008/0044137 A1 2/2008 Luther et al.  
 2010/0040338 A1 2/2010 Sek  
 2010/0303416 A1 12/2010 Danley et al.  
 2012/0057830 A1 3/2012 Taira et al.  
 2013/0051734 A1 2/2013 Shen et al.  
 2014/0044397 A1\* 2/2014 Hikosaka ..... G02B 6/38  
 385/81  
 2014/0079356 A1\* 3/2014 Pepin ..... G02B 6/3624  
 385/81  
 2015/0286011 A1\* 10/2015 Nhep ..... G02B 6/38  
 385/60  
 2016/0349458 A1\* 12/2016 Murray ..... G02B 6/3825  
 2016/0356963 A1\* 12/2016 Liu ..... G02B 6/3849  
 2018/0003902 A1 1/2018 Rosson et al.  
 2018/0321448 A1\* 11/2018 Wu ..... G02B 6/3825  
 2019/0004256 A1 1/2019 Rosson  
 2019/0014987 A1 1/2019 Sasaki et al.  
 2019/0033531 A1 1/2019 Taira et al.  
 2019/0162914 A1 5/2019 Baca et al.

2019/0361177 A1\* 11/2019 Aoshima ..... G02B 6/3879  
 2020/0124805 A1\* 4/2020 Rosson ..... G02B 6/389  
 2020/0174201 A1\* 6/2020 Cote ..... G02B 6/3897

OTHER PUBLICATIONS

Gold Plated Toslink. Date: Feb. 5, 2015. [online]. [Site visited Mar. 2, 2021]. Available from Internet URL: <https://www.amazon.com/dp/B00T8HWV62/> (Year: 2015).\*

Digital Optical Audio Cable Toslink Cable. Date: Jun. 27, 2019 [online]. [Site visited Mar. 2, 2021]. Available from Internet URL: <https://www.amazon.com/dp/B07TJMP4TP/> (Year: 2019).\*

Optical connector. (Design—© Questel) orbit.com. [Online PDF compilation of references] 20 pgs. Print Dates Range Mar. 9, 2003-May 25, 2015. [Retrieved Feb. 3, 2021] <https://www.orbit.com/export/UCZAH96B/pdf4/81c7766a-d250-4555-a8f1-3bdf9dc1bd6c-185304.pdf> (Year: 2021).\*

International Search Report and Written Opinion pertaining to Application No. PCT/US2019/067781 filed Dec. 20, 2019 (14 pages).

\* cited by examiner

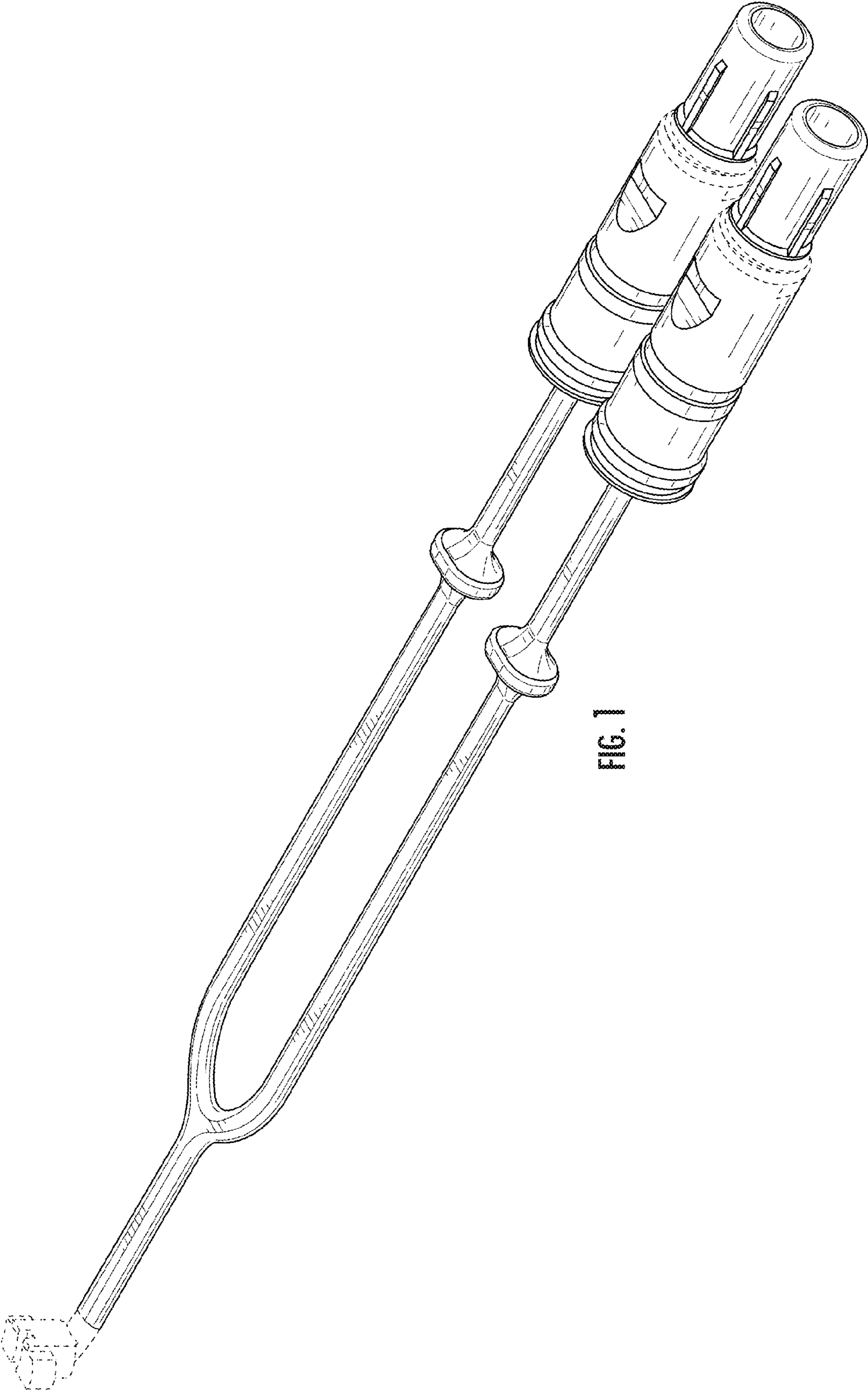


FIG. 1



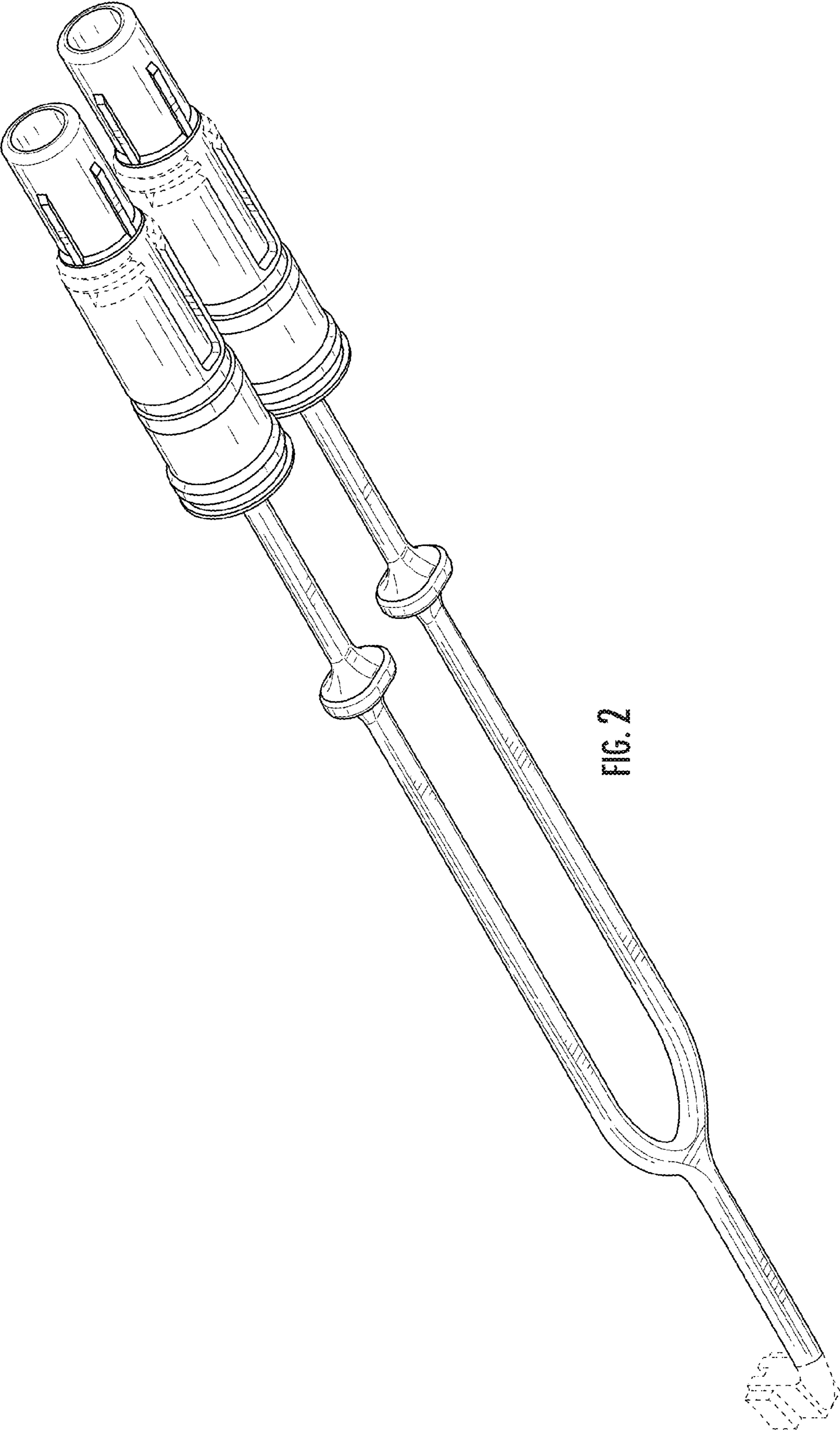


FIG. 2

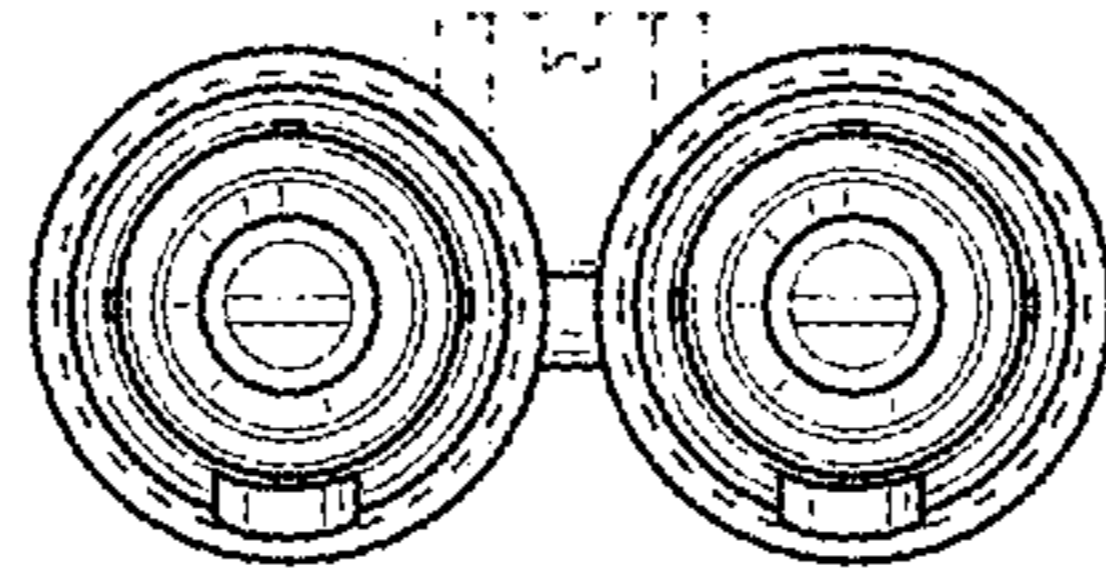


FIG. 3

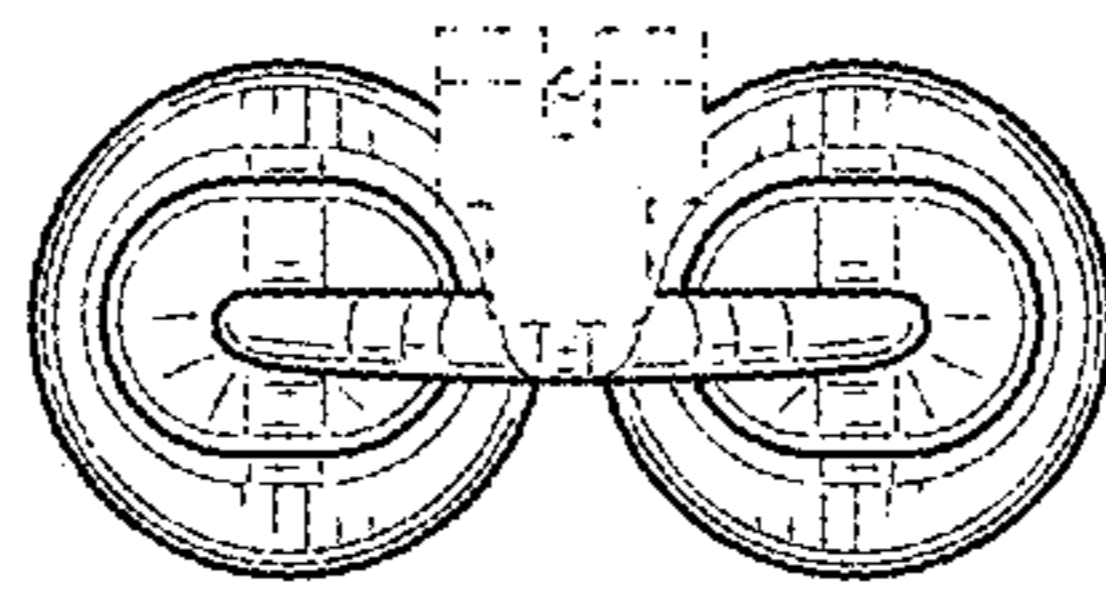


FIG. 4

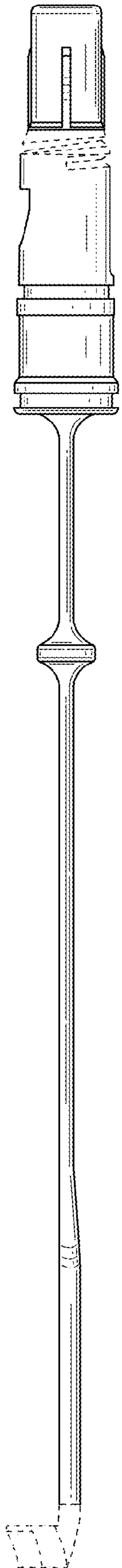


FIG. 5

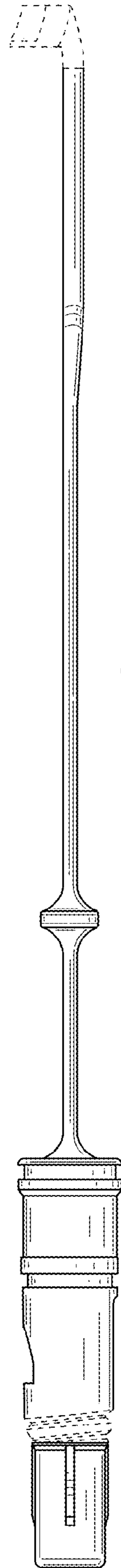


FIG. 6

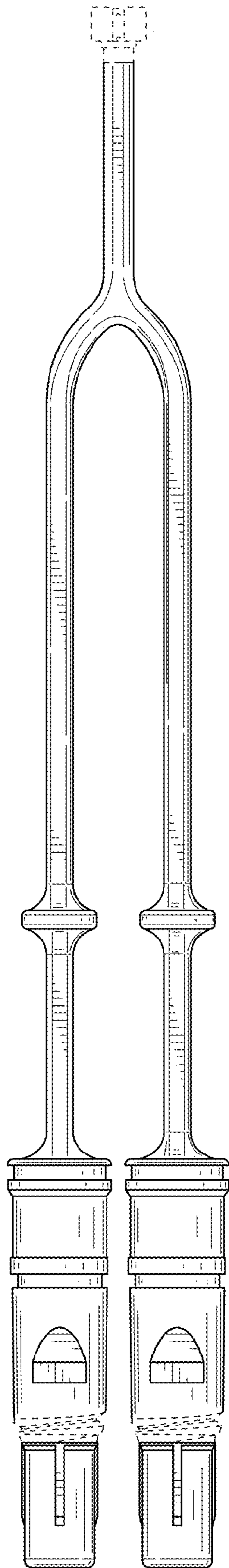


FIG. 7

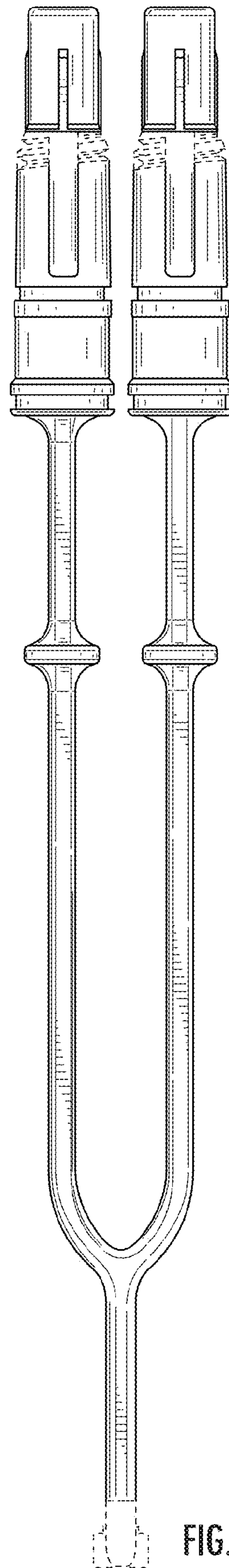


FIG. 8