



US00D949106S

(12) **United States Design Patent**
Maurer

(10) **Patent No.:** **US D949,106 S**
(45) **Date of Patent:** **** Apr. 19, 2022**

(54) **DEMAGNETIZATION APPARATUS**

(71) Applicant: **Maurer Magnetic AG**, Grüningen (CH)

(72) Inventor: **Albert Maurer**, Grüt (CH)

(**) Term: **15 Years**

(21) Appl. No.: **35/509,514**

(22) Filed: **Nov. 18, 2019**

(80) **Hague Agreement Data**

Int. Filing Date: **Nov. 18, 2019**

Int. Reg. No.: **DM/208189**

Int. Reg. Date: **Nov. 18, 2019**

Int. Reg. Pub. Date: **May 29, 2020**

(51) **LOC (13) Cl.** **13-03**

(52) **U.S. Cl.**
USPC **D13/123**

(58) **Field of Classification Search**
USPC D13/123, 183, 199, 158, 178, 117, 110,
D13/159, 184, 118; D6/706; D8/356,
D8/367

CPC H01F 13/006; H01F 13/003; G01R 33/12;
G01R 33/07

See application file for complete search history.

(56) **References Cited**

U.S. PATENT DOCUMENTS

D153,161 S *	3/1949	Nave	D13/183
D197,560 S *	2/1964	Kosinki	D13/183
D211,022 S *	5/1968	Kahn	D13/183
5,608,319 A *	3/1997	Maurer	G01R 33/07 324/103 P

D690,276 S *	9/2013	Shaw	D13/178
D702,192 S *	4/2014	Arioka	D13/158
D729,747 S *	5/2015	Suzuki	D13/159
D778,649 S *	2/2017	Jackson	D6/706
D790,468 S *	6/2017	Kokura	D13/117
D806,660 S *	1/2018	Braswell, Jr.	D13/184
D835,497 S *	12/2018	Rindy	D8/356
D901,384 S *	11/2020	Yasuda	D13/117
D904,326 S *	12/2020	Zhang	D13/183
D909,303 S *	2/2021	Tsao	D13/118
D911,283 S *	2/2021	Chen	D13/110
D917,266 S *	4/2021	Winnie	D8/367
D918,151 S *	5/2021	Rostron	D13/158
2004/0263300 A1 *	12/2004	Maurer	H01F 13/006 335/284
2005/0195058 A1 *	9/2005	Maurer	H01F 13/003 335/284
2019/0096559 A1 *	3/2019	Maurer	G01R 33/12

* cited by examiner

Primary Examiner — Rhea Shields

(74) *Attorney, Agent, or Firm* — Dority & Manning, PA

(57) **CLAIM**

The ornamental design for a demagnetization apparatus, as shown and described.

DESCRIPTION

1. Demagnetization apparatus

1.1 is a front view;

1.2 is a side view;

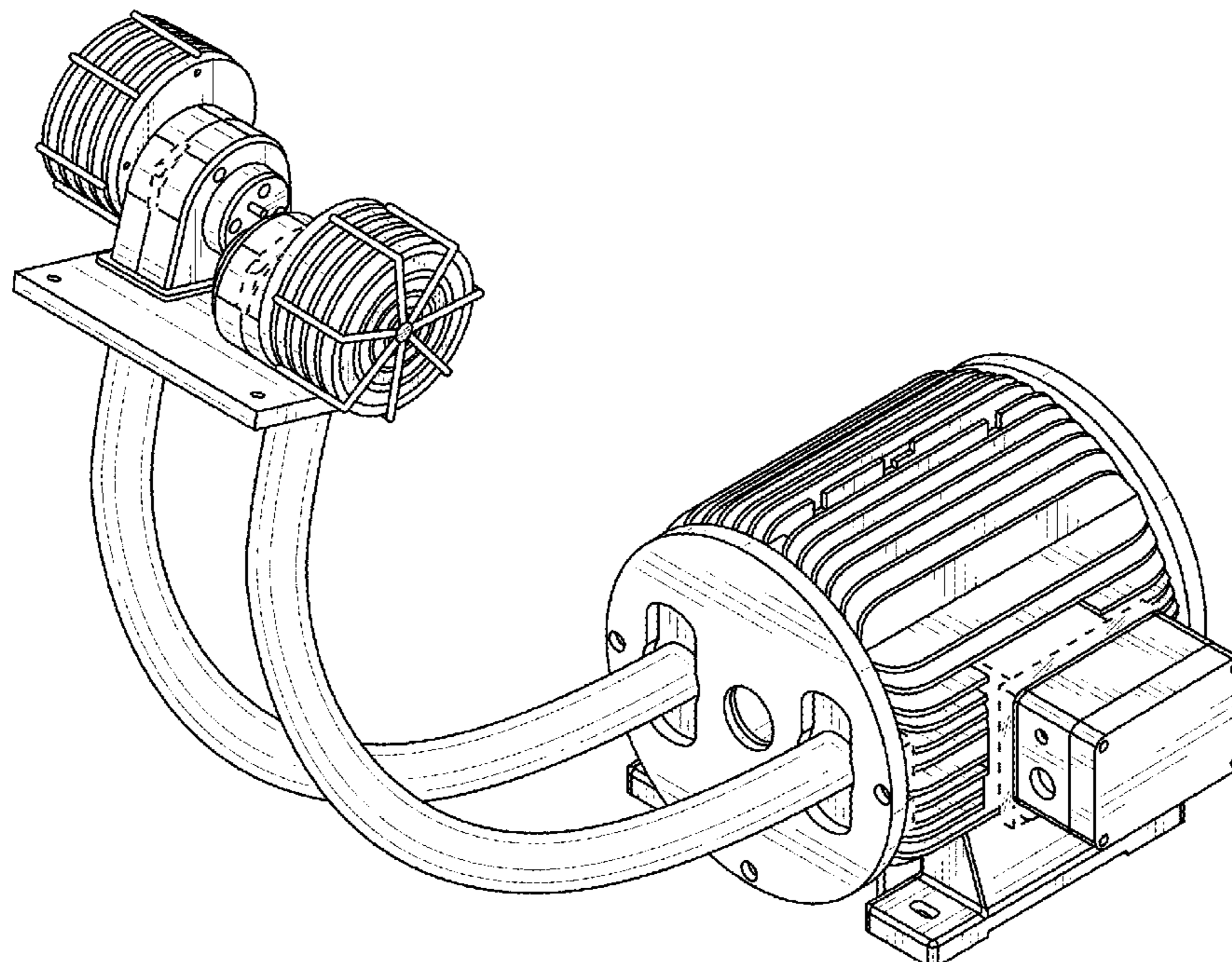
1.3 is a front perspective view;

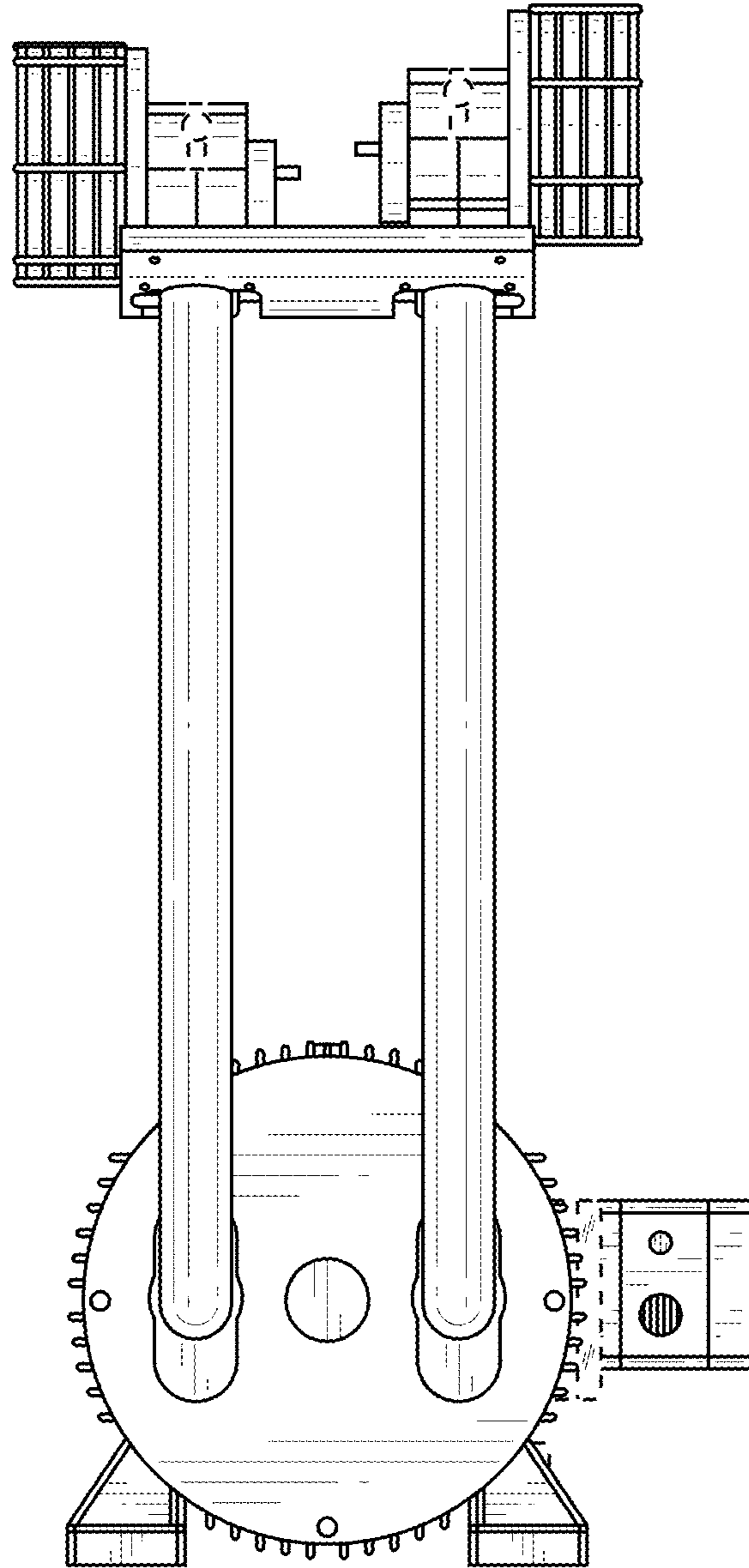
1.4 is a rear perspective view; and

1.5 is a bottom view.

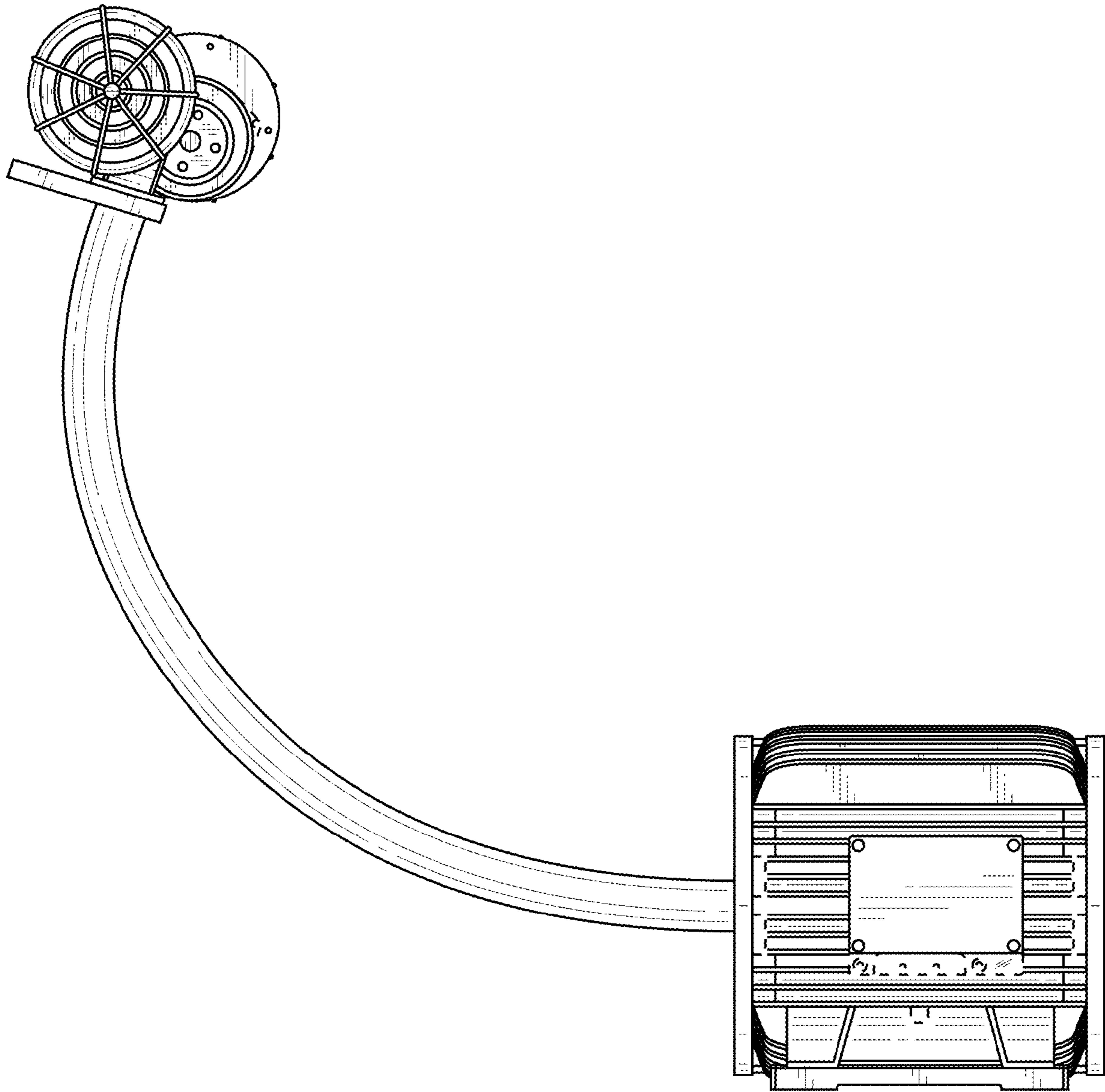
In the drawings, the broken lines are for the purpose of illustrating portions of the demagnetization apparatus that forms no part of the claimed design.

1 Claim, 5 Drawing Sheets

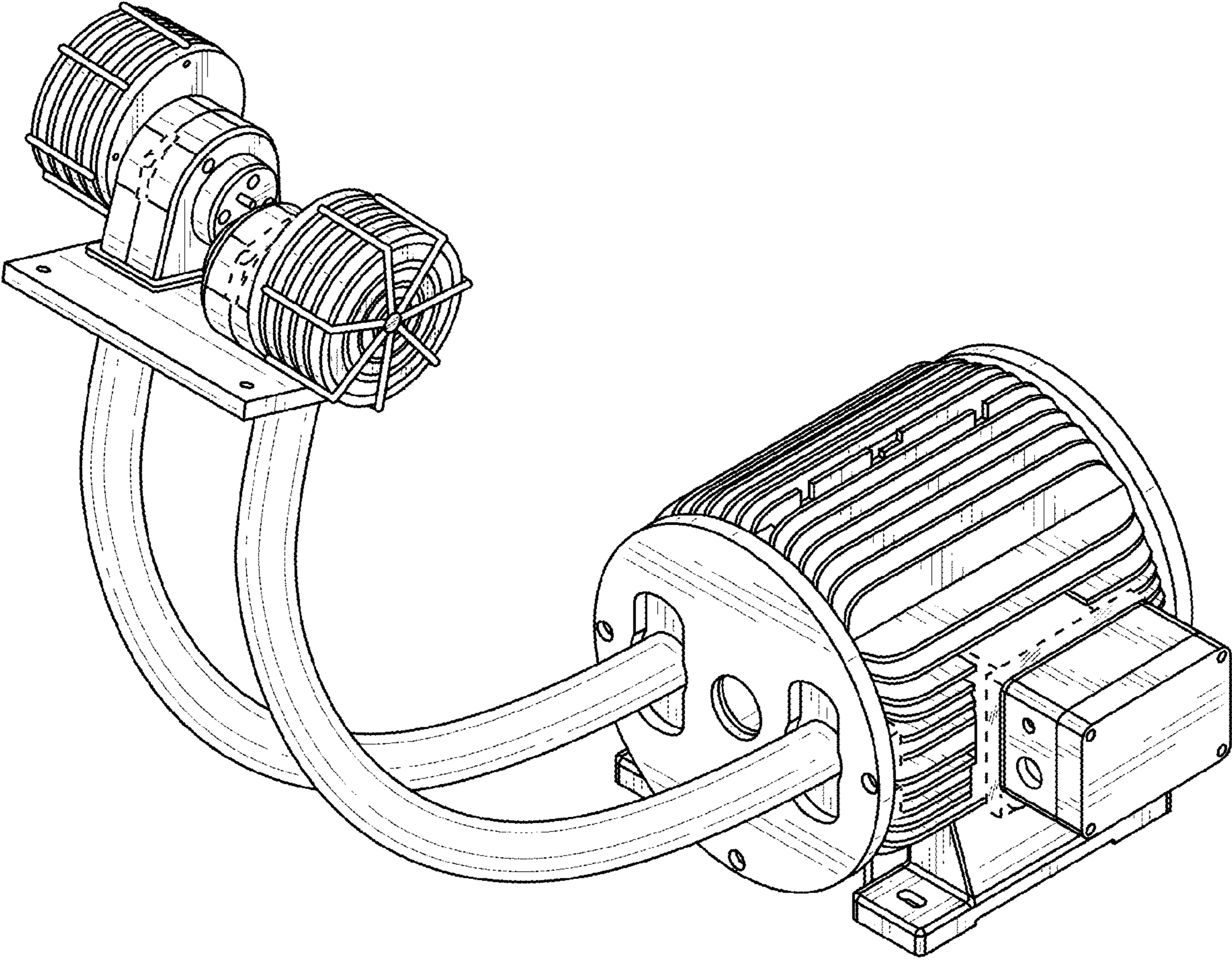




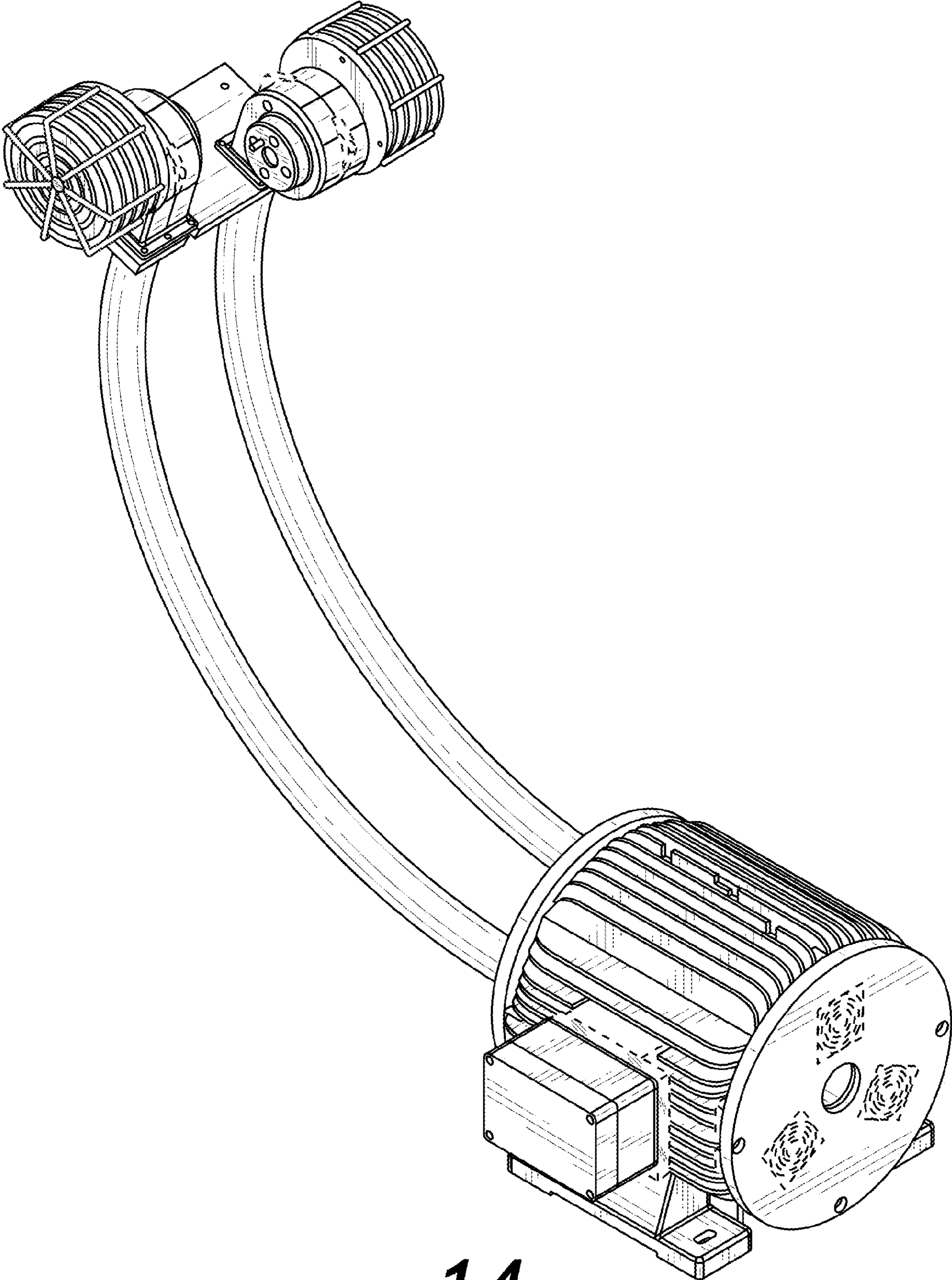
1.1



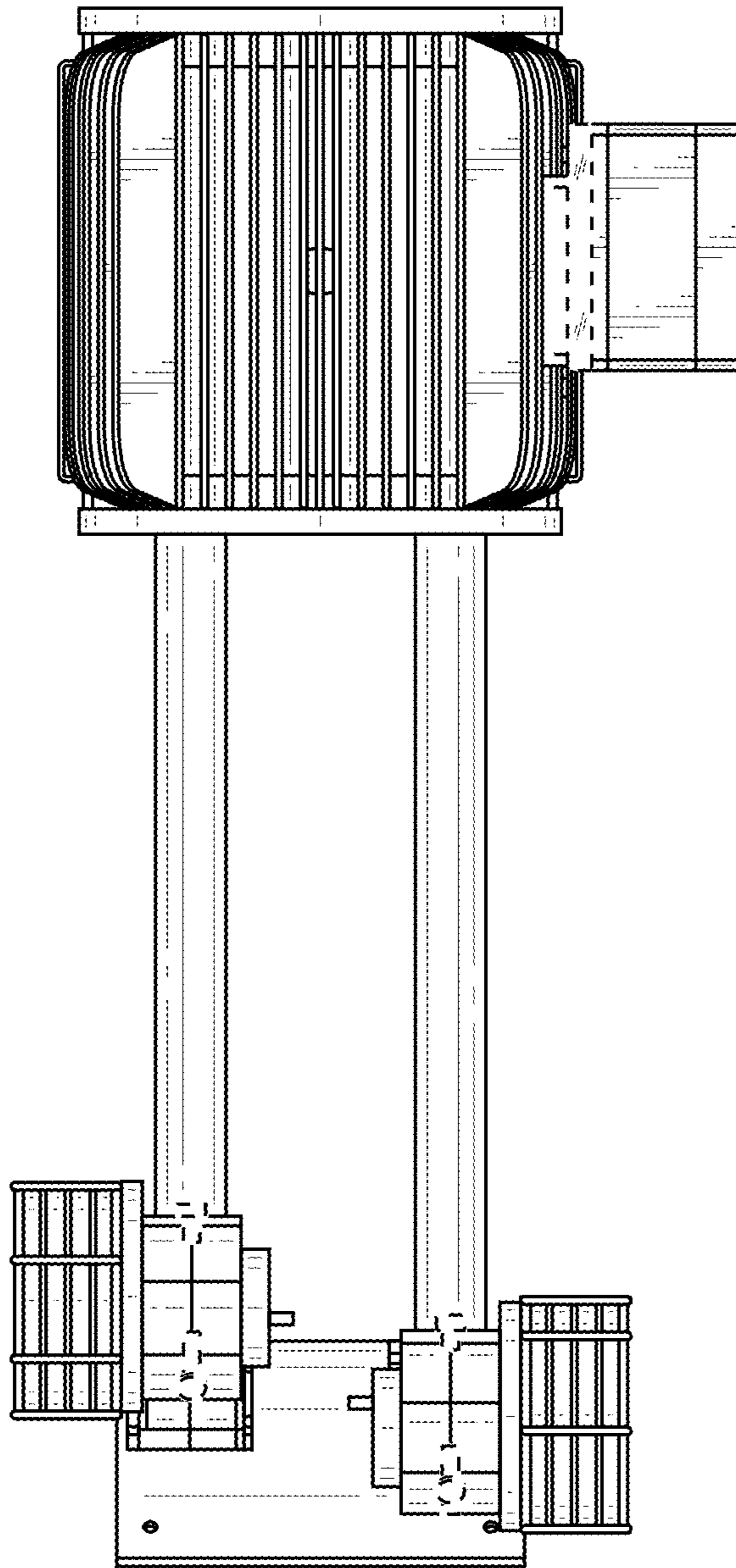
1.2



1.3



1.4



1.5