



US00D949105S

(12) **United States Design Patent** (10) **Patent No.:** **US D949,105 S**
Shen (45) **Date of Patent:** **** Apr. 19, 2022**

(54) **BATTERY BOX**
(71) Applicant: **NINGBO GOLDEN POWER ELECTRONIC CO., LTD.**, Ningbo (CN)
(72) Inventor: **Zhengxian Shen**, Ningbo (CN)
(**) Term: **15 Years**
(21) Appl. No.: **29/714,747**
(22) Filed: **Nov. 26, 2019**
(51) **LOC (13) Cl.** **13-02**
(52) **U.S. Cl.**
USPC **D13/119**
(58) **Field of Classification Search**
USPC D13/102, 103, 104, 105, 106, 107, 108, D13/110, 118, 119, 184, 199; D3/273, D3/274, 302, 201, 264
CPC Y02E 60/12; Y02E 60/122; Y02E 60/124; Y02E 60/50; H01M 10/4257; H01M 10/0436; H01M 10/48; H01M 2/02; H01M 2/022; H01M 2/0202; H01M 2/0207; H01M 2/0212; H01M 2/1061; H01M 2/1022; H01M 2/1055; H01M 2/1066; H01M 2/105; H01M 2/204; H01M 2/04; H01M 2/0404; H01M 2/0406; H01M 2/0465; H01M 2/06
See application file for complete search history.

D805,667 S * 12/2017 Green D26/39
D821,968 S * 7/2018 Zhao D13/103
D836,067 S * 12/2018 Tschopp D13/107
D838,238 S * 1/2019 Wu D13/102
D840,927 S * 2/2019 Inskeep D13/107
D857,373 S * 8/2019 Karsenti D3/201
D867,983 S * 11/2019 Li H02J 7/0042
D13/102
2019/0386497 A1* 12/2019 Degelau H02J 7/0042

FOREIGN PATENT DOCUMENTS

CN 303452804 * 11/2015
CN 304321664 * 10/2017
CN 304454874 * 1/2018
CN 304933264 * 12/2018
CN 305070757 * 3/2019
CN 305086740 * 3/2019
CN 305098131 * 4/2019

(Continued)

Primary Examiner — Rosemary K Tarcza
Assistant Examiner — Seth David Kumpf
(74) *Attorney, Agent, or Firm* — W&KIP

(57) **CLAIM**

The ornamental design for a battery box, as shown and described.

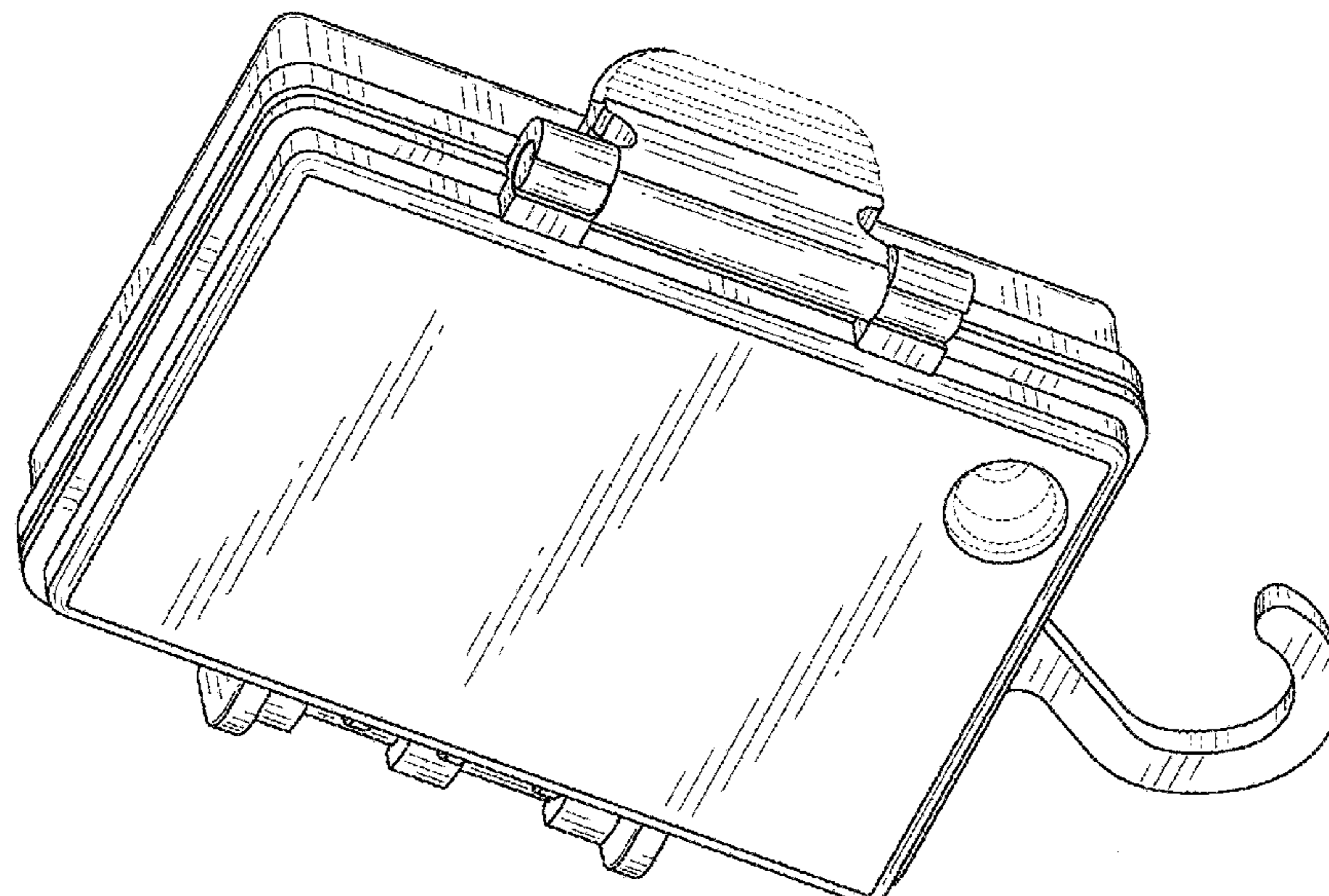
DESCRIPTION

FIG. 1 is a perspective view of a battery box, showing my new design;
FIG. 2 is a front elevational view thereof;
FIG. 3 is a rear elevational view thereof;
FIG. 4 is a left elevational view thereof;
FIG. 5 is a right elevational view thereof;
FIG. 6 is a top plan view thereof;
FIG. 7 is a bottom plan view thereof; and,
FIG. 8 is another perspective view thereof.
The evenly broken lines where present illustrate portions of the battery box that form no part of the claimed design.

1 Claim, 8 Drawing Sheets

(56) **References Cited**
U.S. PATENT DOCUMENTS

D423,772 S * 5/2000 Cooper D3/201
D514,808 S * 2/2006 Morine D3/273
D532,758 S * 11/2006 Shimodaira D13/184
D579,201 S * 10/2008 Galli D3/273
D650,736 S * 12/2011 Wharram D13/102
D674,801 S * 1/2013 Wharram D14/440
D685,178 S * 7/2013 Lv D3/206
D777,104 S * 1/2017 Liu D13/119



(56)

References Cited

FOREIGN PATENT DOCUMENTS

CN	305114809	*	4/2019
CN	305147743	*	5/2019
CN	305172537	*	5/2019
CN	305485051	*	12/2019
CN	305491880	*	12/2019

* cited by examiner

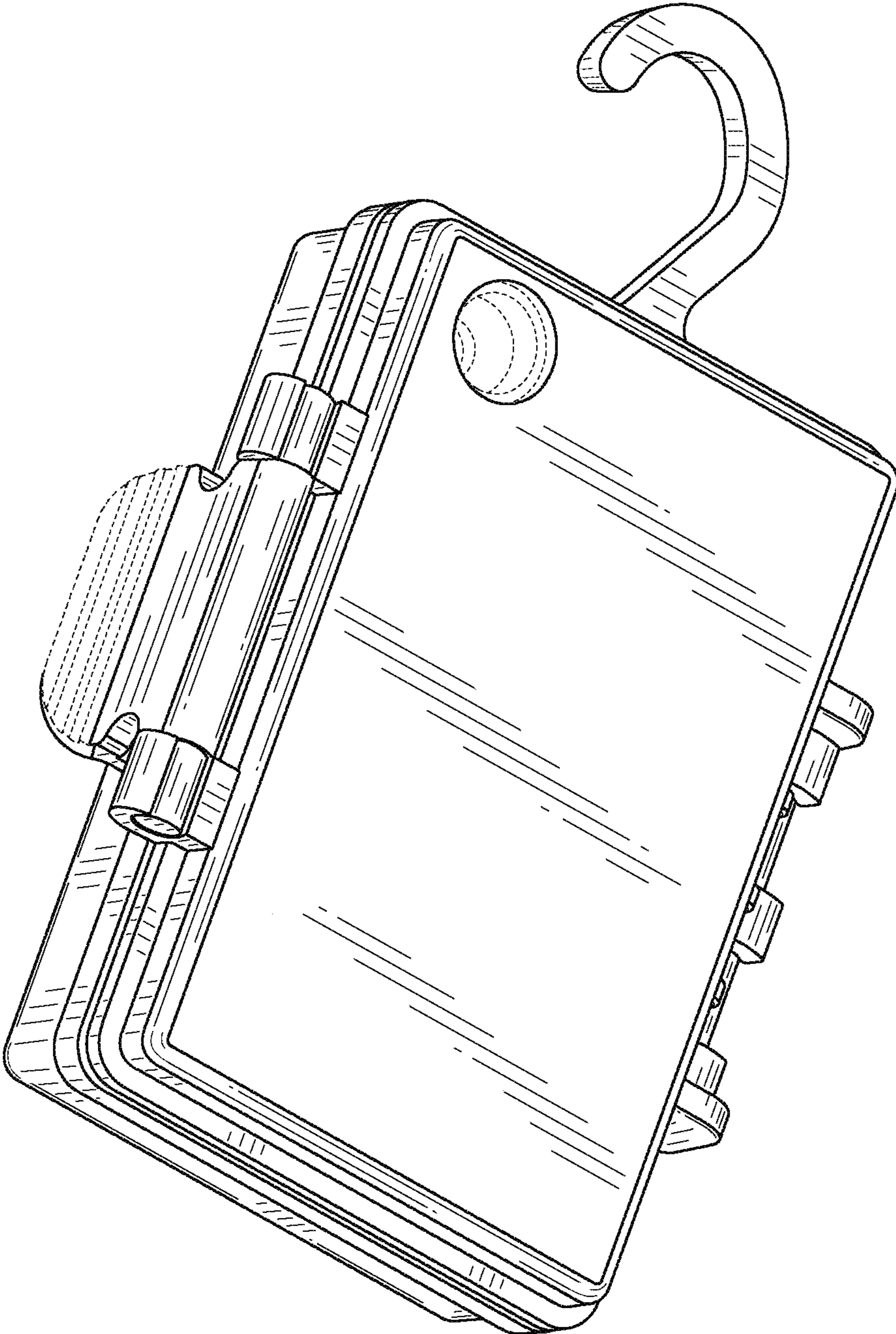


FIG. 1

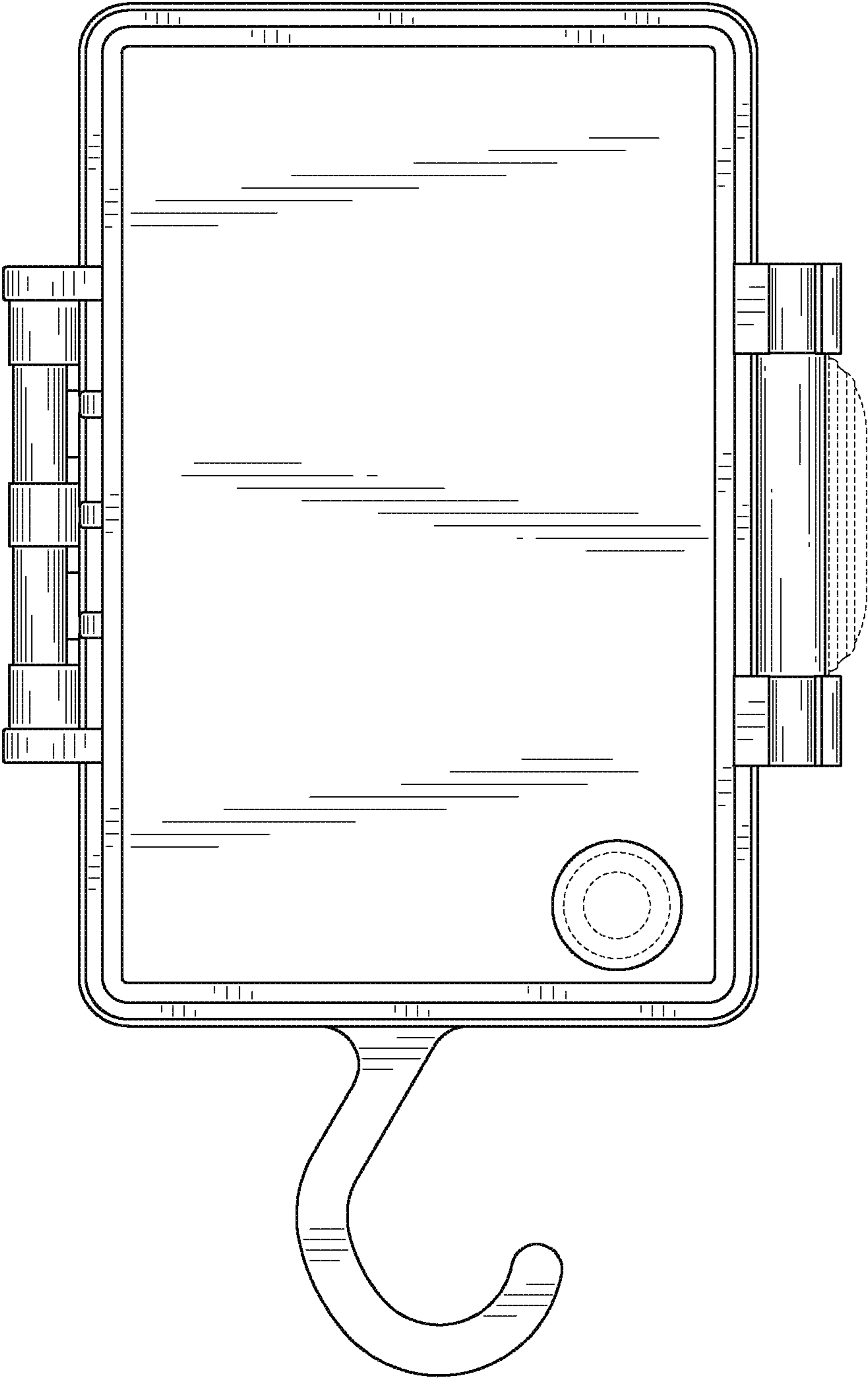


FIG. 2

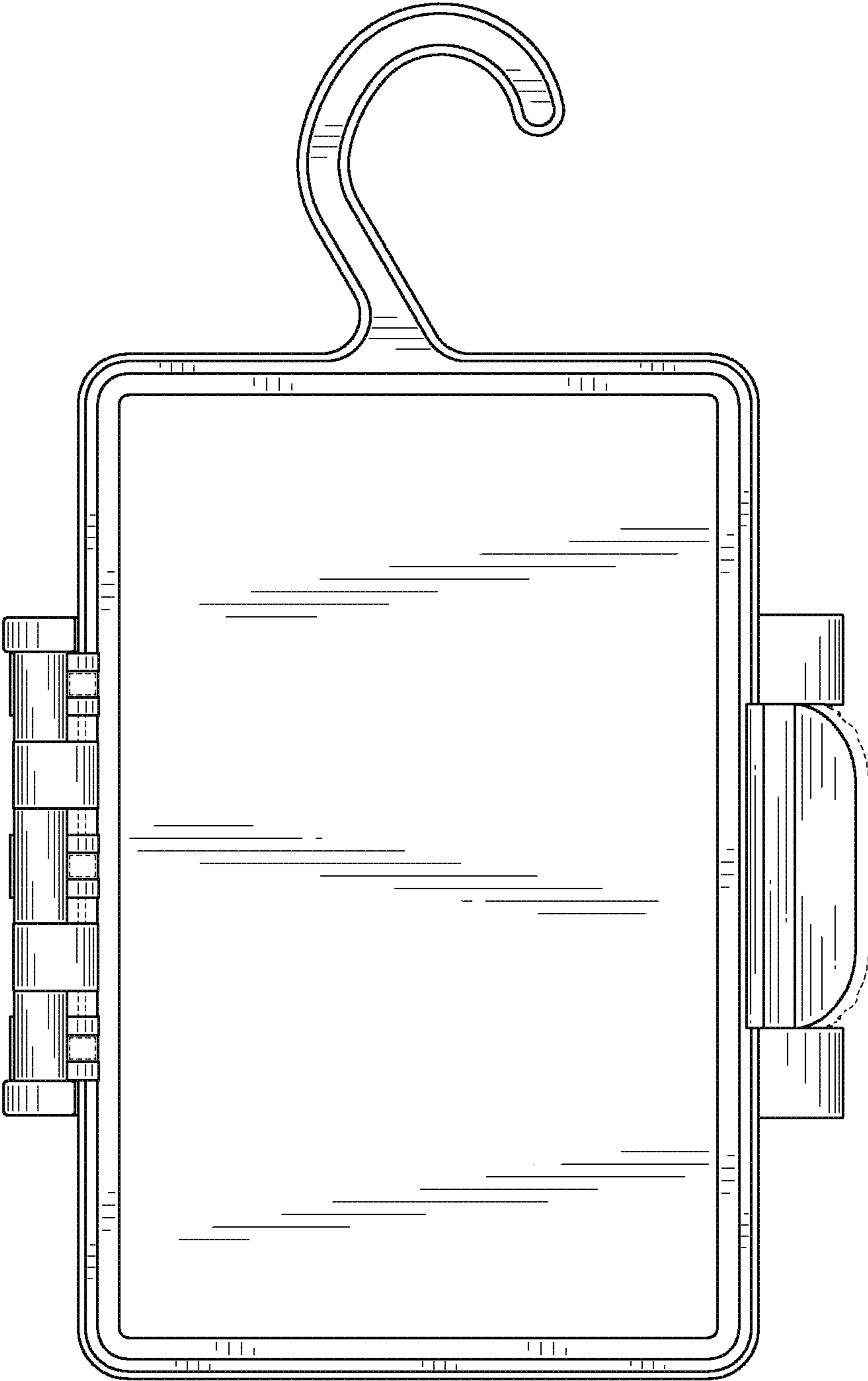


FIG. 3

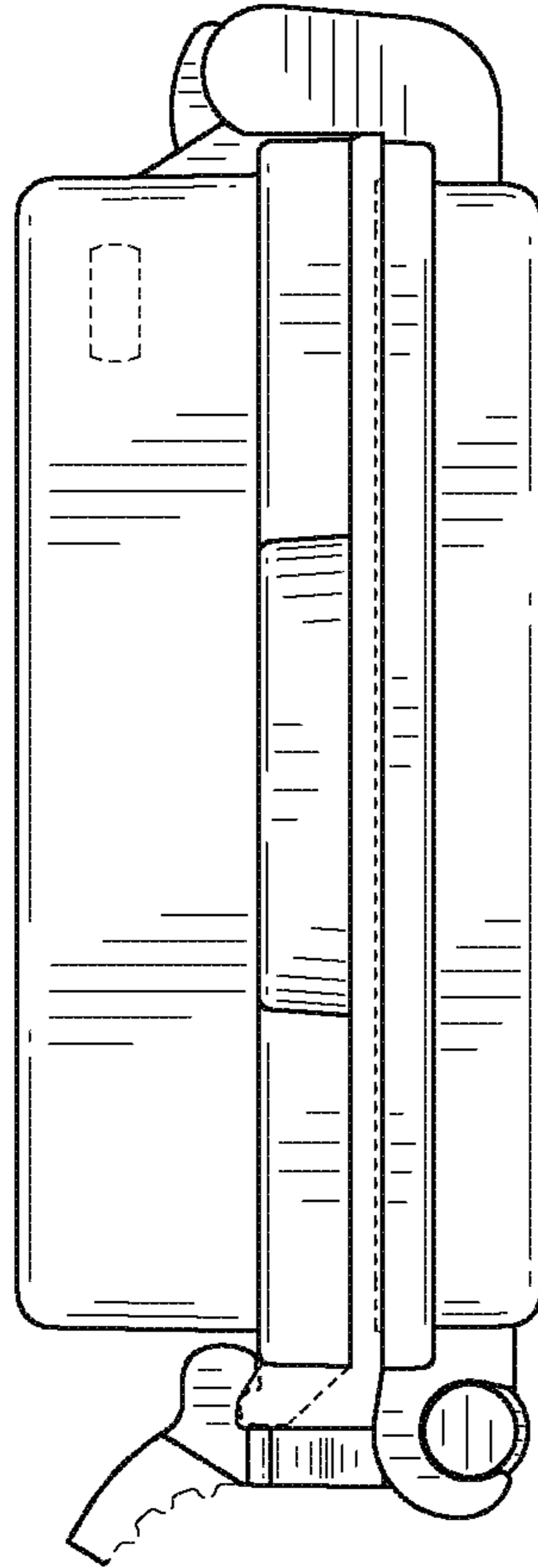


FIG. 4

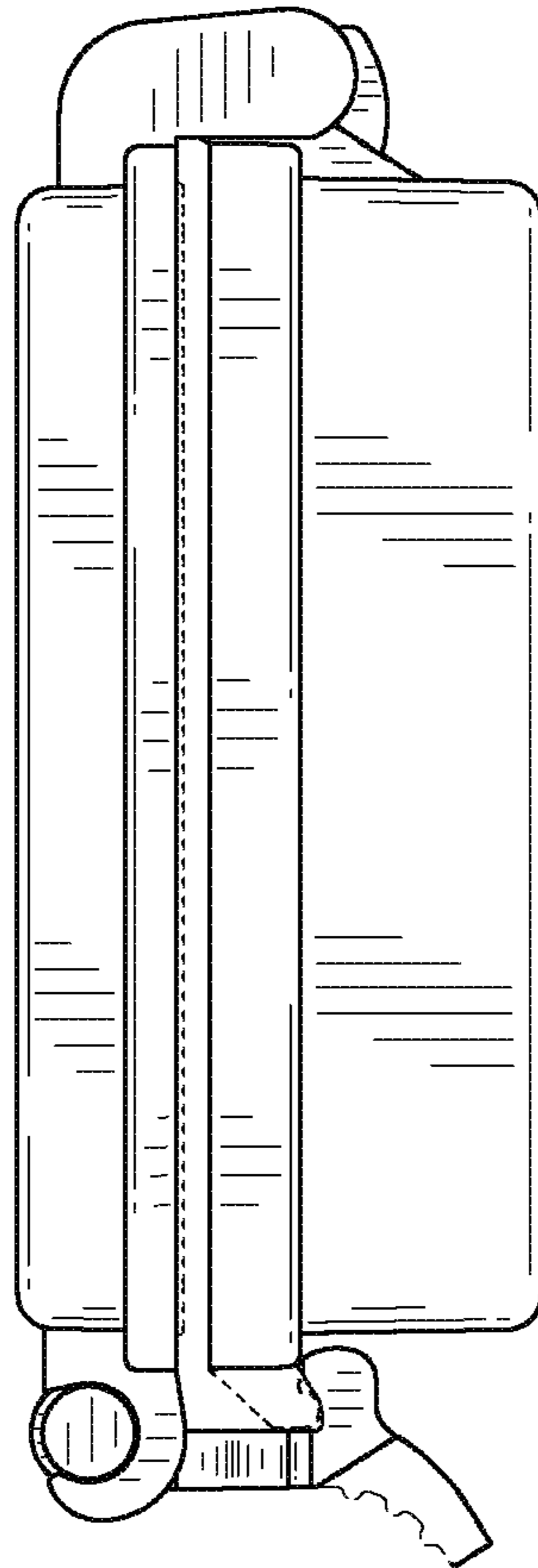


FIG. 5

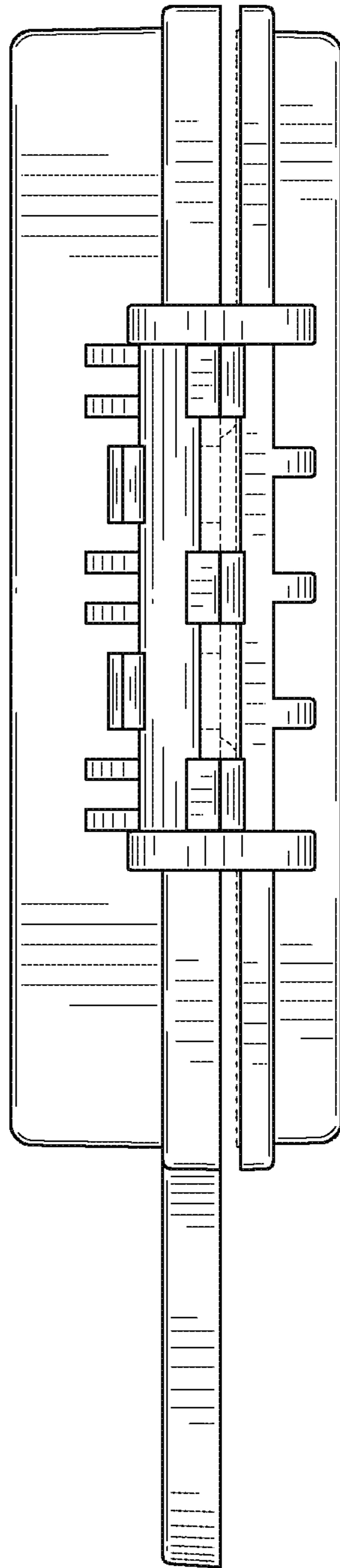


FIG. 6

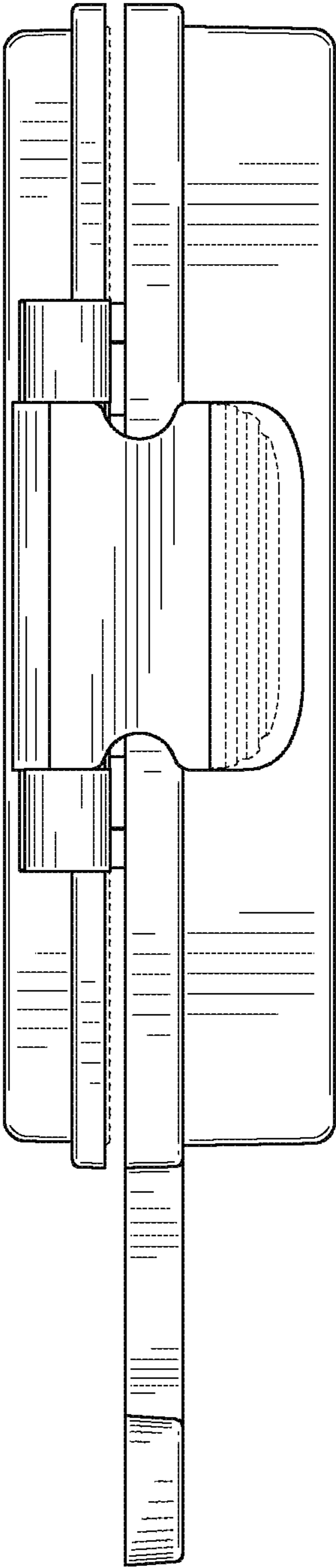


FIG. 7

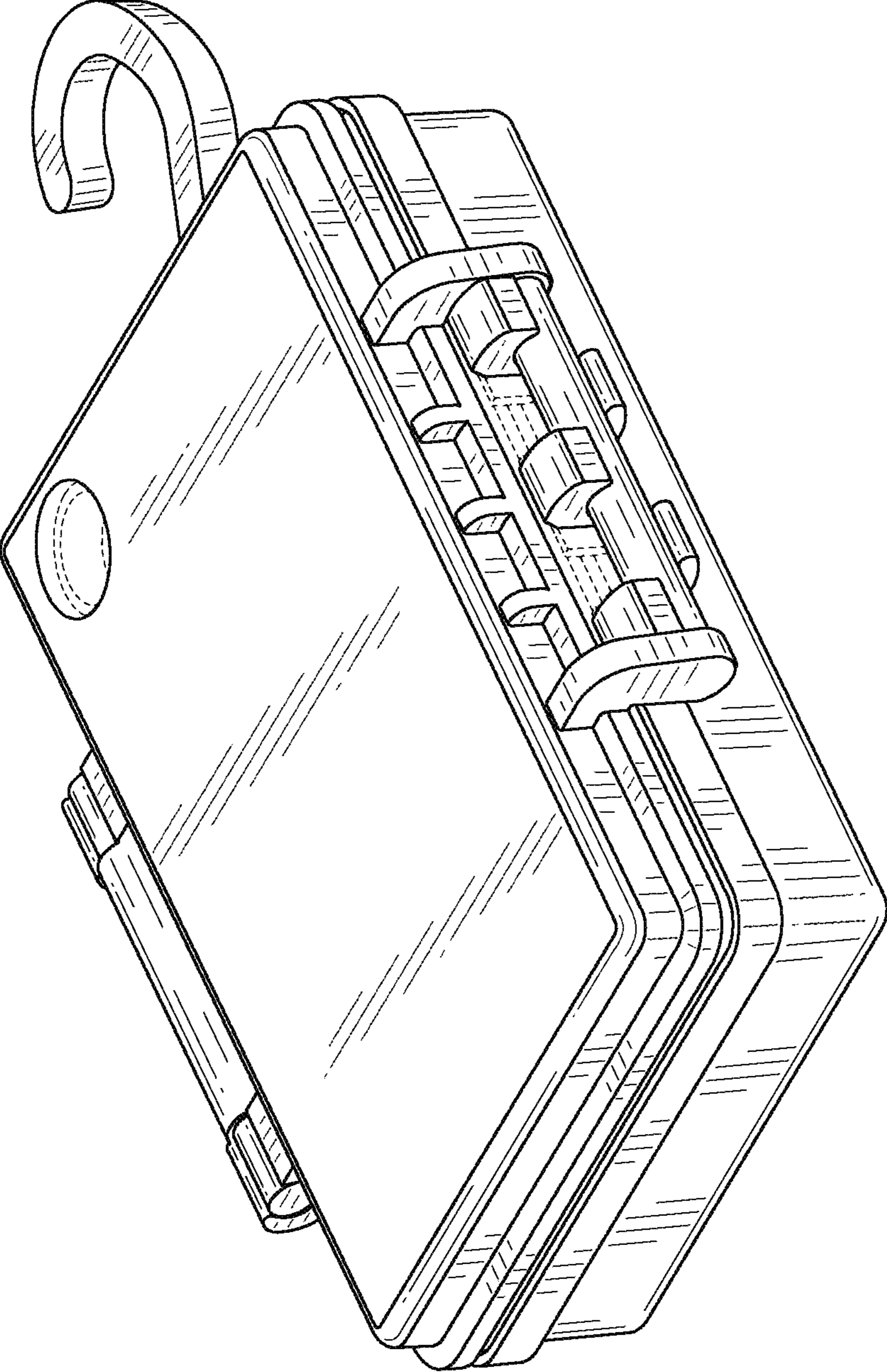


FIG. 8