



US00D949104S

(12) **United States Design Patent**
Elison et al.

(10) **Patent No.:** **US D949,104 S**
(45) **Date of Patent:** **** Apr. 19, 2022**

(54) **BATTERY HANDLE ASSEMBLY TAB**
(71) Applicant: **CPS Technology Holdings LLC**, New York, NY (US)
(72) Inventors: **Nicholas E. Elison**, Milwaukee, WI (US); **Christopher M. Bonin**, Glendale, WI (US)
(73) Assignee: **CPS Technology Holdings LLC**, New York, NY (US)
(**) Term: **15 Years**

5,440,785 A ‡ 8/1995 McDonald H01M 2/1005
16/423
5,670,274 A ‡ 9/1997 Forrer H01M 2/1005
16/423
6,117,588 A * 9/2000 Campbell H01M 50/256
429/187
6,177,211 B1 * 1/2001 Lawrence H01M 50/256
429/187

(Continued)

(21) Appl. No.: **29/681,628**
(22) Filed: **Feb. 27, 2019**
Related U.S. Application Data

FOREIGN PATENT DOCUMENTS

JP 2001155705 ‡ 6/2001
JP 2001155705 A 6/2001

(62) Division of application No. 29/573,999, filed on Aug. 11, 2016, now Pat. No. Des. 847,744.
(51) **LOC (13) Cl.** **13-02**
(52) **U.S. Cl.**
USPC **D13/118**
(58) **Field of Classification Search**
USPC D13/102–106, 118, 199, 184
CPC Y02E 60/12; Y02E 60/122; Y02E 60/124;
Y02E 60/50; H01M 2/02; H01M 2/022;
H01M 2/0207; H01M 2/0212; H01M
2/1061; H01M 2/1022; H01M 2/1055;
H01M 2/1066; H01M 2/105; H01M
2/204; H01M 10/4257; H01M 10/0436;
H01M 10/48
See application file for complete search history.

OTHER PUBLICATIONS

PCT/US2017/042438 International Search Report dated Sep. 5, 2017.‡

Primary Examiner — Christy Nemeth
(74) *Attorney, Agent, or Firm* — Boardman & Clark LLP

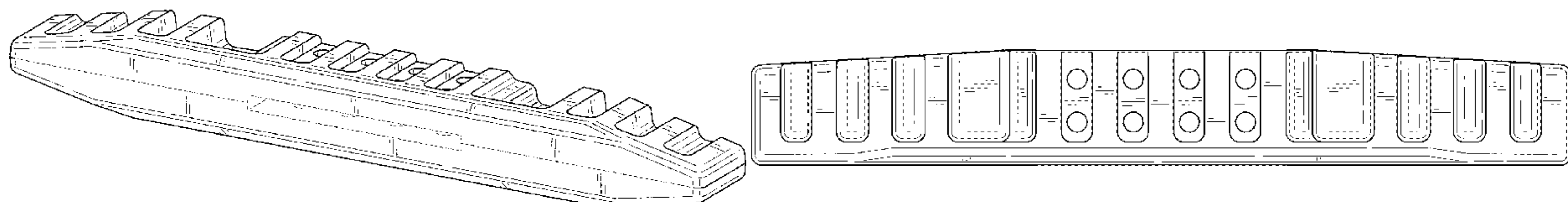
(56) **References Cited**
U.S. PATENT DOCUMENTS
3,956,022 A ‡ 5/1976 Fox H01M 2/1005
429/18
5,283,137 A ‡ 2/1994 Ching H01M 2/043
16/444

(57) **CLAIM**
The ornamental design for a battery handle assembly tab, as shown and described.

DESCRIPTION

FIG. 1 is a front perspective view of a battery handle assembly tab showing our new design;
FIG. 2 is a front elevation view thereof;
FIG. 3 is a rear elevation view thereof;
FIG. 4 is a right side elevation view thereof, the left side being a mirror image;
FIG. 5 is a top plan view thereof, the bottom plan view being a mirror image; and,
FIG. 6 is a rear perspective view thereof.
The broken lines in the drawings are for the purpose of illustrating portions of the battery handle assembly tab that form no part of the claimed design.

1 Claim, 4 Drawing Sheets



(56)

References Cited

U.S. PATENT DOCUMENTS

6,942,945 B2 ‡ 9/2005 Andersen H01M 2/1005
429/10
D567,753 S ‡ 4/2008 Landerholm D13/110
D582,983 S ‡ 12/2008 McCarthy D19/99
7,836,556 B1 ‡ 11/2010 Medeiros H01M 2/1005
16/423
8,263,257 B2 ‡ 9/2012 Bielawski H01M 2/1083
429/18
D788,703 S ‡ 6/2017 Krysinski D13/120
D813,816 S ‡ 3/2018 Osako D13/120
D814,417 S ‡ 4/2018 Hickey D13/120
D847,744 S * 5/2019 Elison D13/118
2005/0069762 A1 ‡ 3/2005 Daley H01M 2/0242
429/17

* cited by examiner

‡ imported from a related application

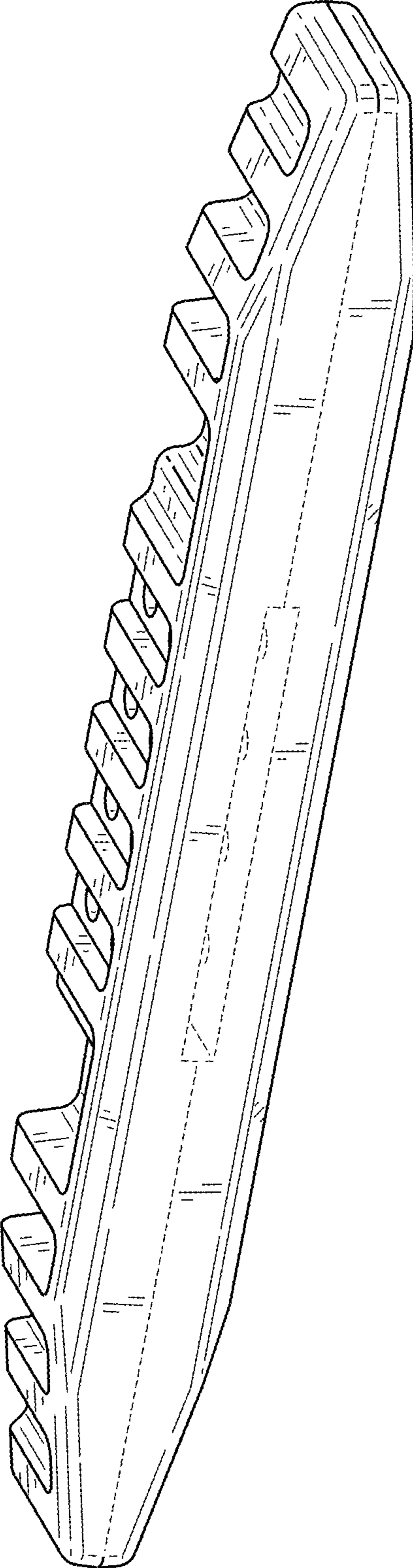


FIG. 1

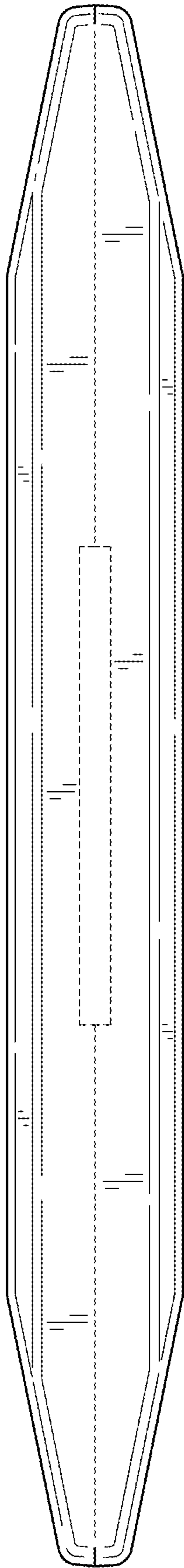


FIG. 2

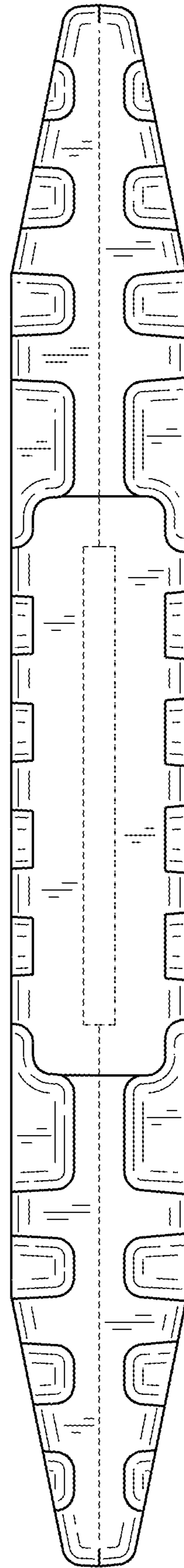


FIG. 3

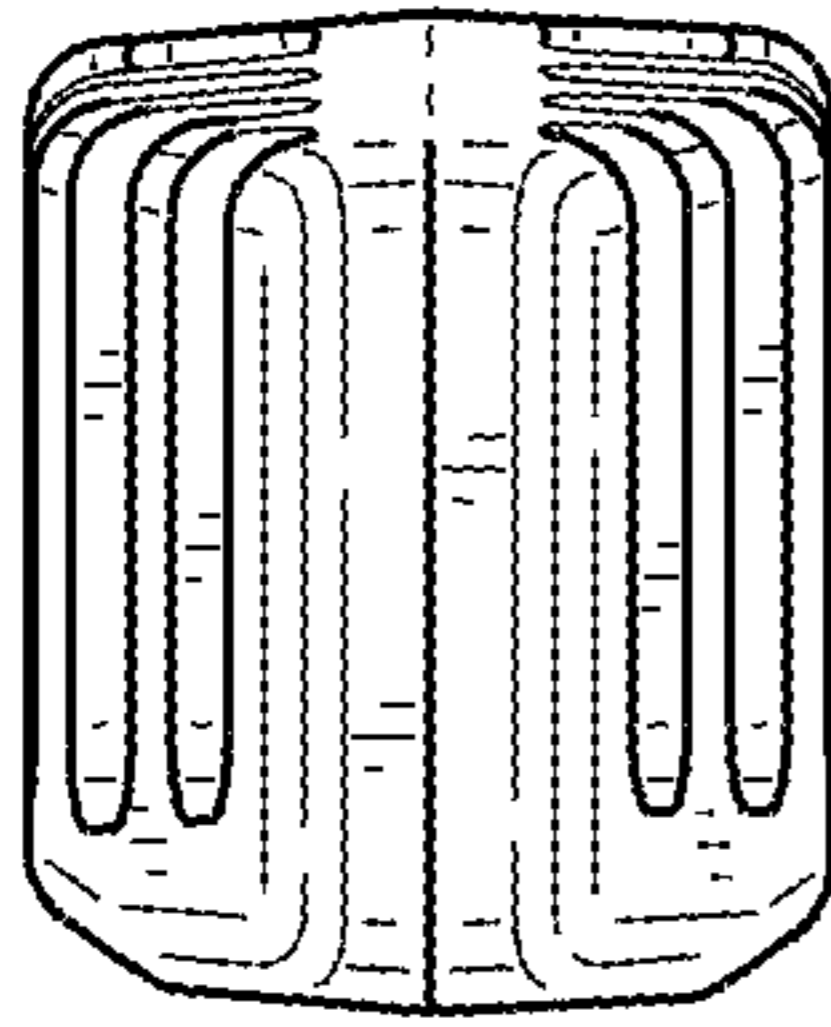


FIG. 4

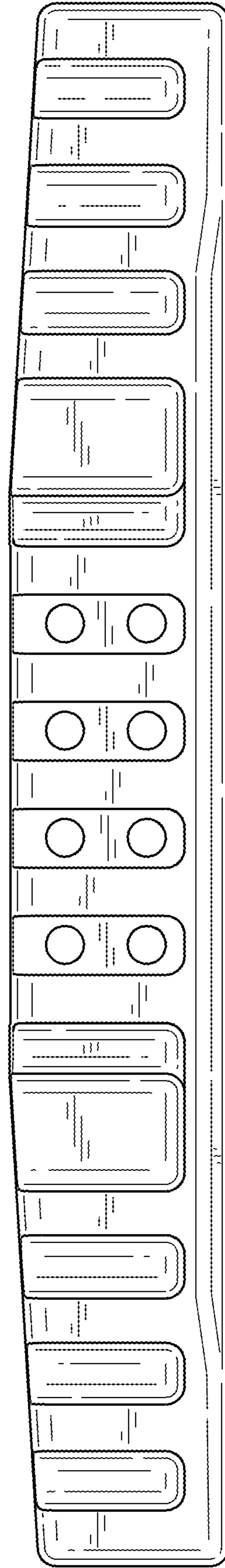


FIG. 5

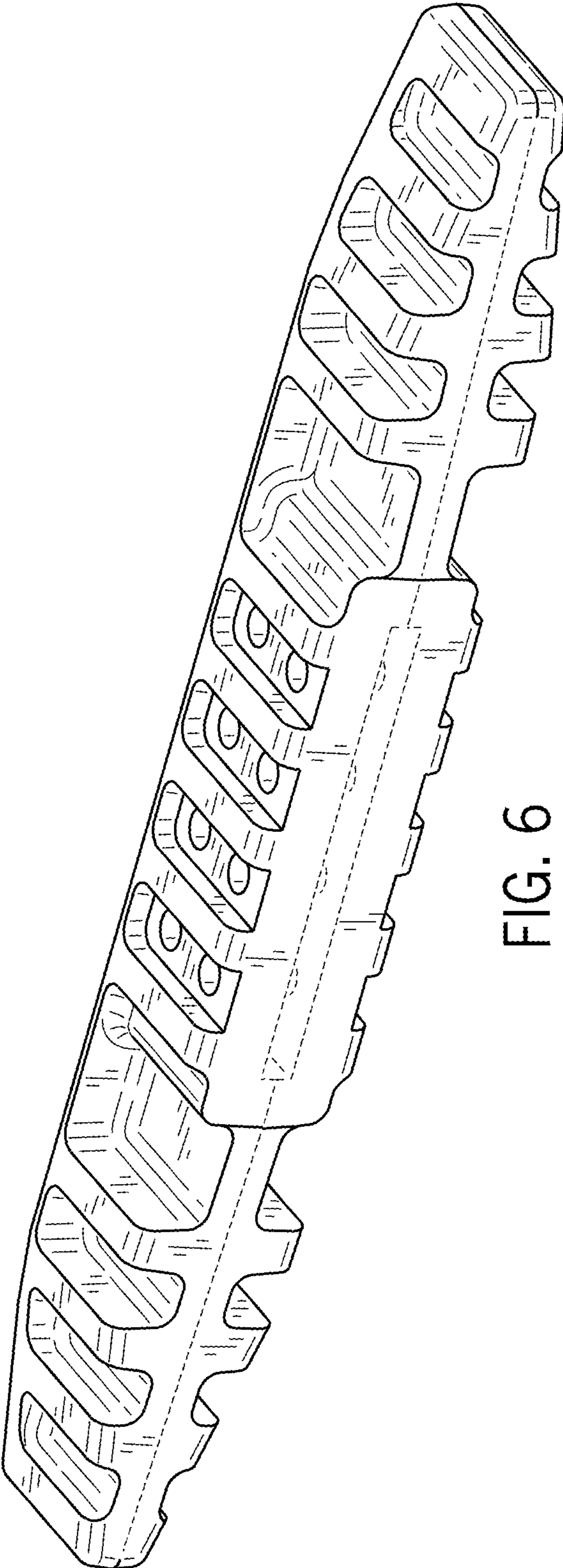


FIG. 6