



US00D949103S

(12) **United States Design Patent**  
**Hu**

(10) **Patent No.:** **US D949,103 S**  
(45) **Date of Patent:** **\*\* Apr. 19, 2022**

(54) **MOTOR**

(71) Applicant: **YouJun Hu**, Shenzhen (CN)

(72) Inventor: **YouJun Hu**, Shenzhen (CN)

(\*\*) Term: **15 Years**

(21) Appl. No.: **29/768,012**

(22) Filed: **Jan. 27, 2021**

(51) **LOC (13) Cl.** ..... **13-01**

(52) **U.S. Cl.**  
USPC ..... **D13/112**

(58) **Field of Classification Search**  
USPC ..... D13/112, 113, 114, 118, 122, 184, 199;  
D15/1, 5, 138, 149

CPC ..... H02K 5/06; H02K 5/22; H02K 5/225;  
H02K 11/33; H02K 9/06; H02K 9/12;  
H02K 9/14; H02K 9/18; H02K 9/20;  
H02K 7/1025; H02K 7/20918; H02K  
3/24; H02K 3/47; F02B 63/04; F28D  
15/0266; F28D 15/02; F28F 1/20

See application file for complete search history.

(56) **References Cited**

**U.S. PATENT DOCUMENTS**

6,118,197 A \* 9/2000 Bohlen ..... H02K 5/225  
310/91  
6,903,473 B2 \* 6/2005 Matsuyama ..... H02K 11/215  
310/71

D552,540 S \* 10/2007 Miyauchi ..... D13/112  
D597,573 S \* 8/2009 Lin ..... D15/149  
D654,871 S \* 2/2012 Parsadayan ..... D13/112  
D731,424 S \* 6/2015 Kasaba ..... D13/112  
D761,204 S \* 7/2016 Luke ..... D13/112  
D819,709 S \* 6/2018 Hunt ..... D15/138

\* cited by examiner

*Primary Examiner* — Derrick E Holland

(74) *Attorney, Agent, or Firm* — Rumit Ranjit Kanakia

(57) **CLAIM**

I claim the ornamental design for a motor, as shown and described.

**DESCRIPTION**

FIG. 1 is a Perspective view of a motor showing my new design;

FIG. 2 is other Perspective view thereof;

FIG. 3 is a Front view thereof;

FIG. 4 is a Back view thereof;

FIG. 5 is a Right-side view thereof;

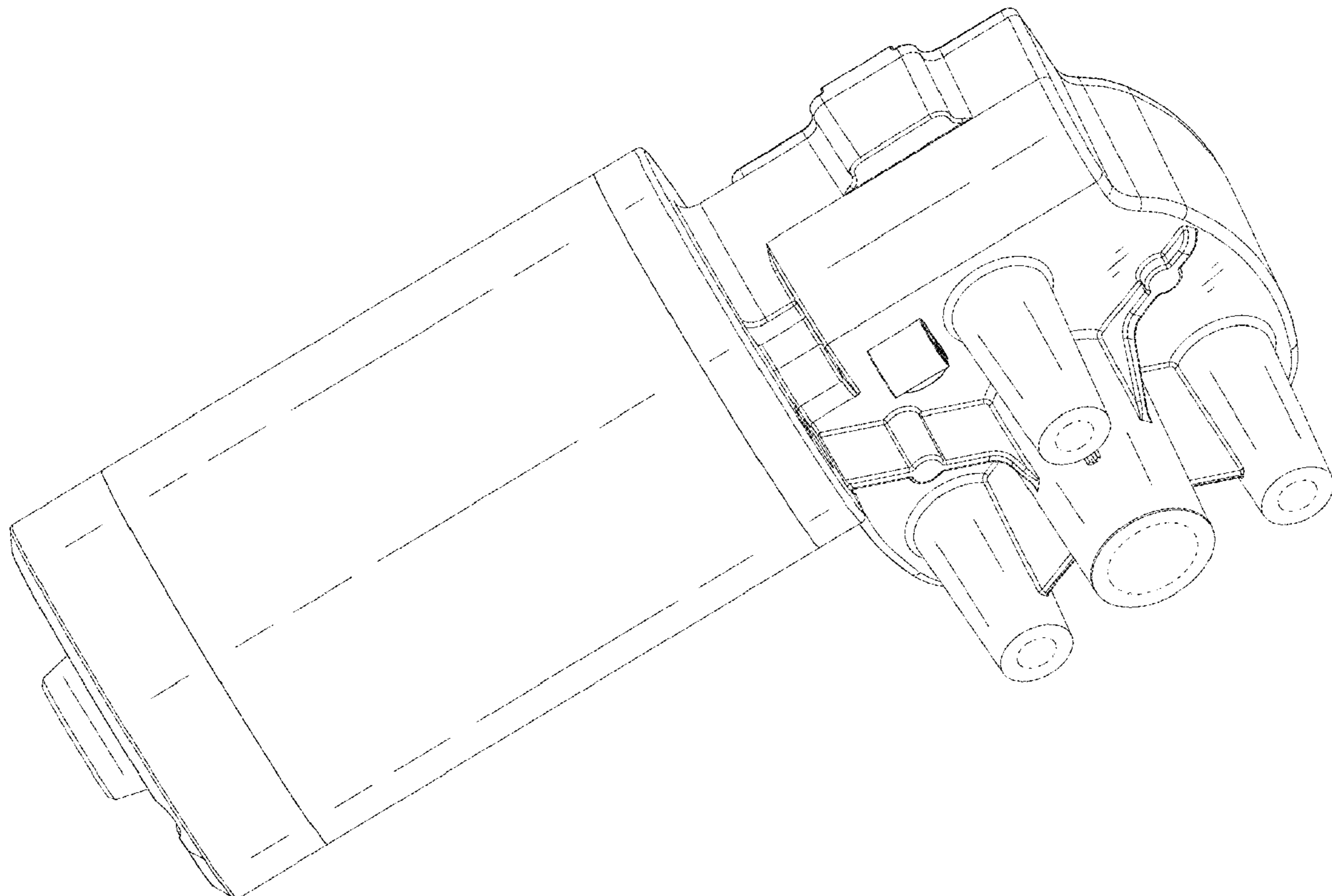
FIG. 6 is a Left-side view thereof;

FIG. 7 is a Top view thereof; and,

FIG. 8 is a Bottom view thereof.

The broken lines in the drawings depict portions of the motor that form no part of the claimed design.

**1 Claim, 8 Drawing Sheets**



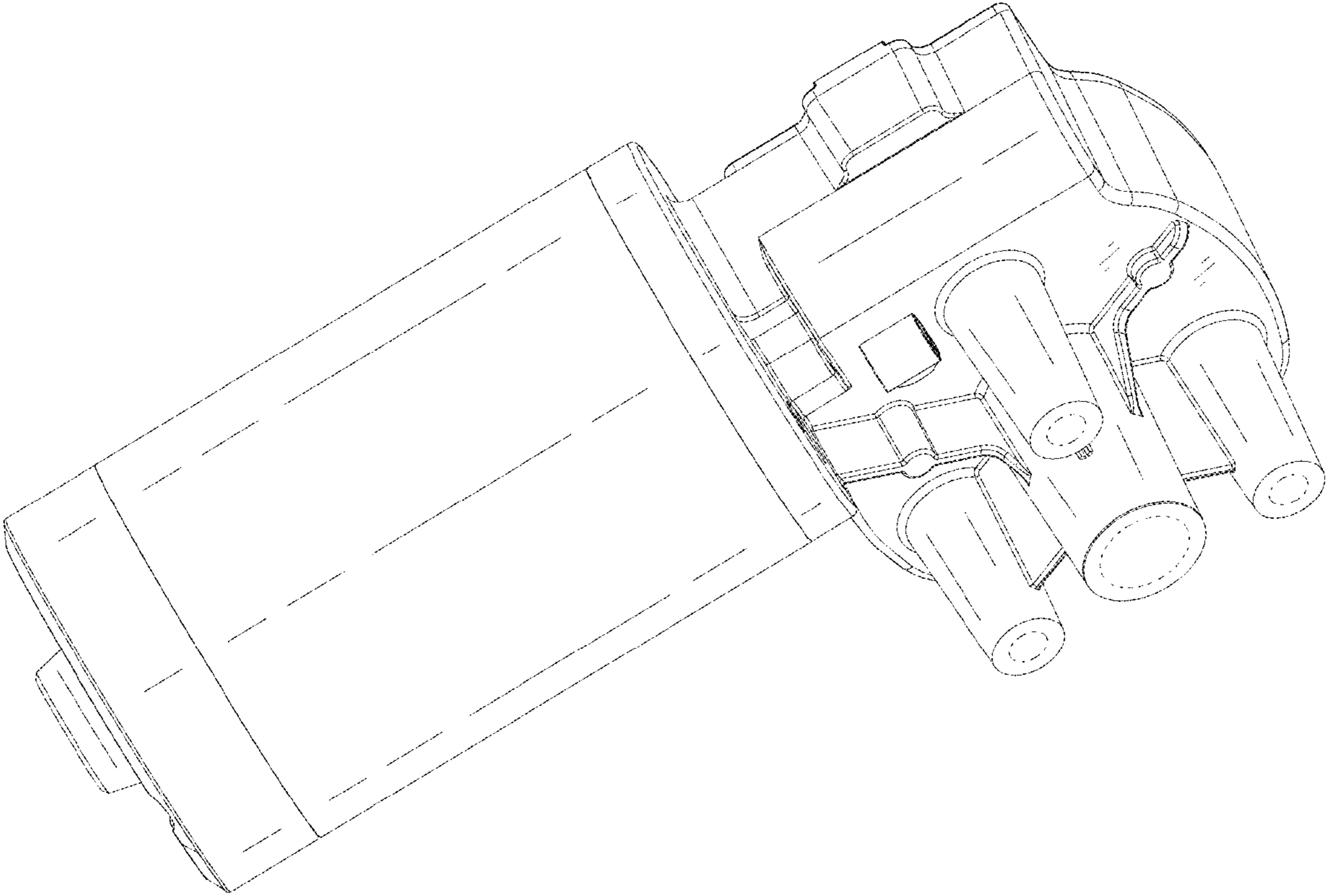


FIG. 1

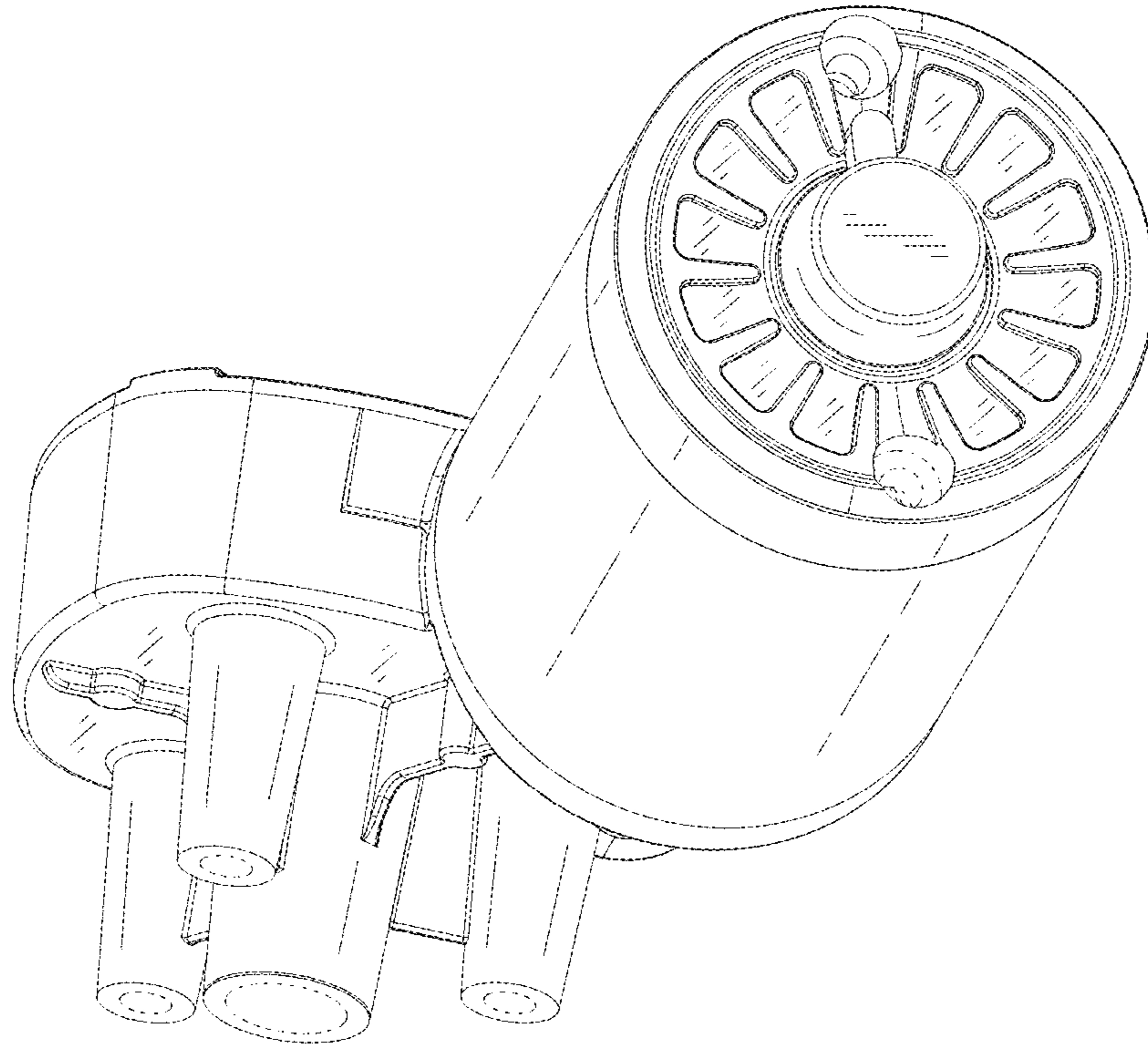


FIG. 2

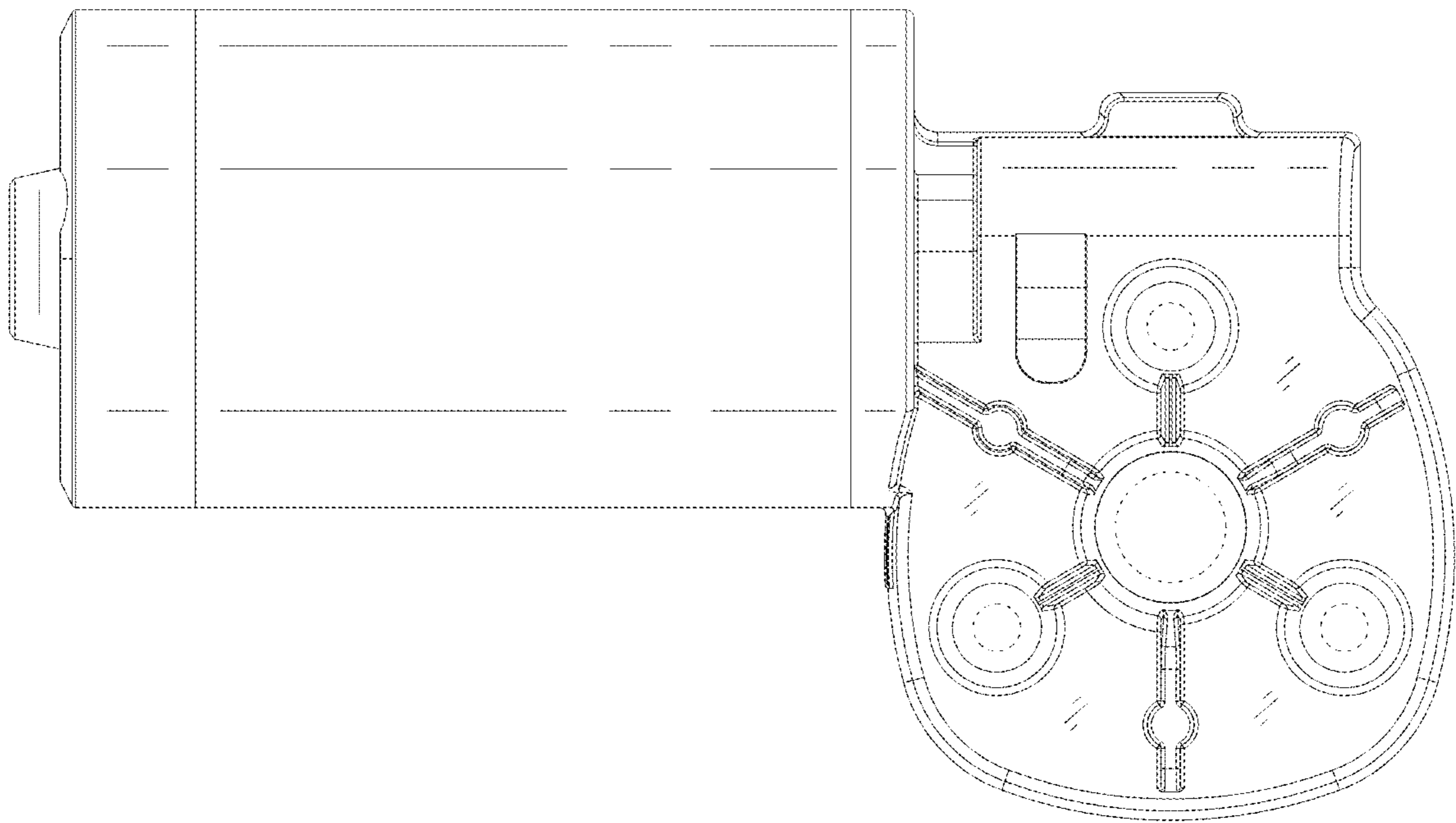


FIG. 3

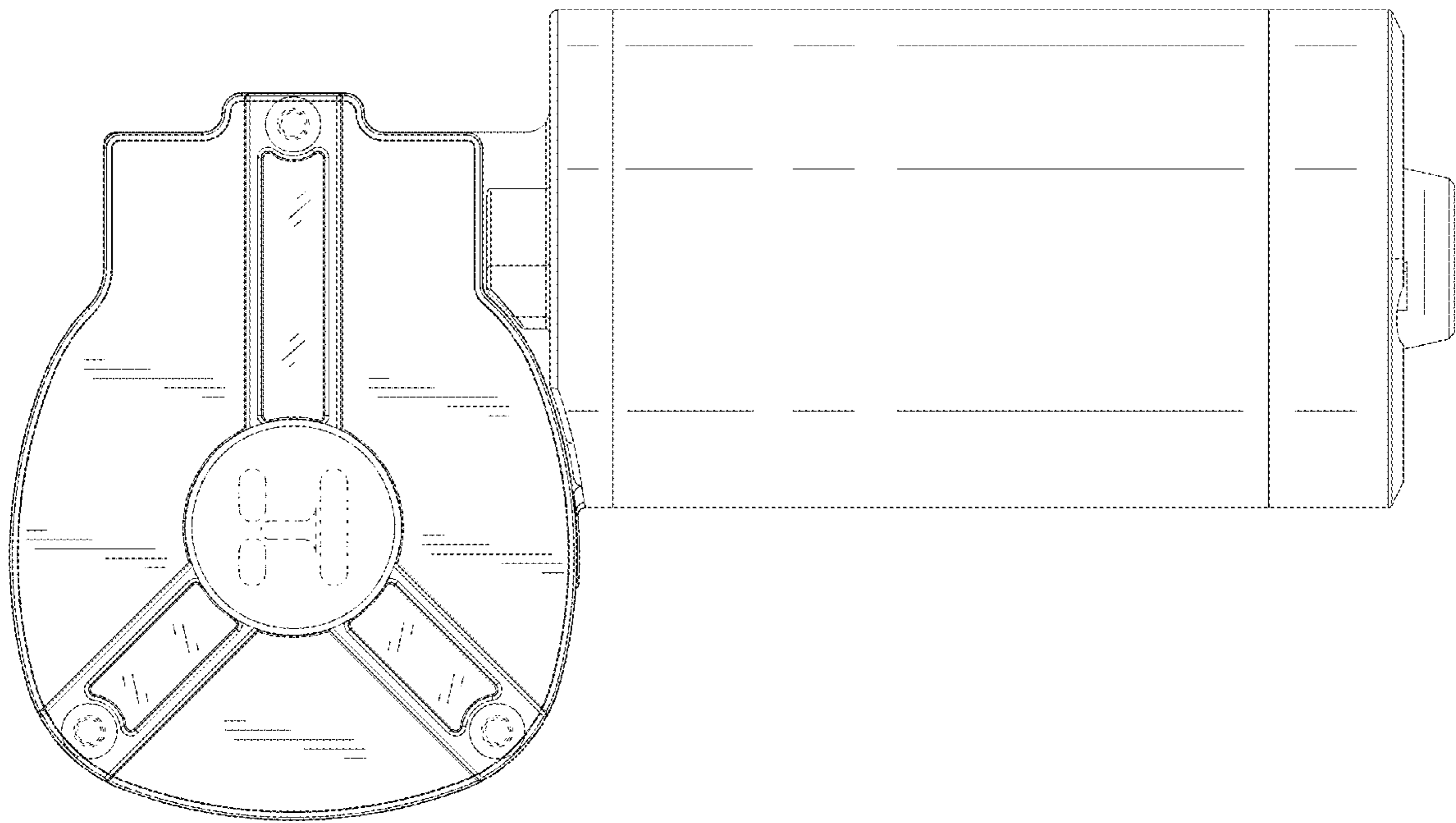


FIG. 4

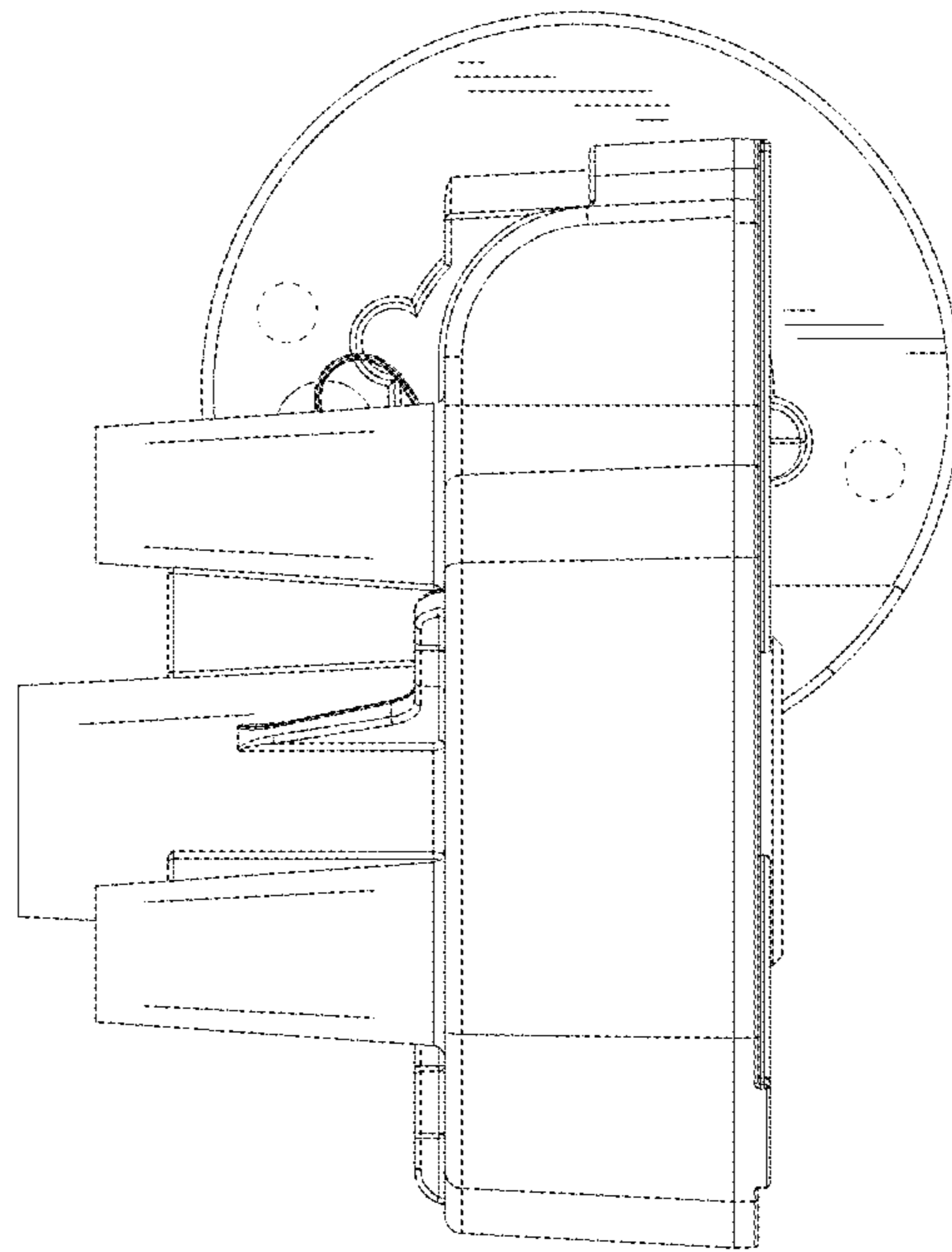


FIG. 5

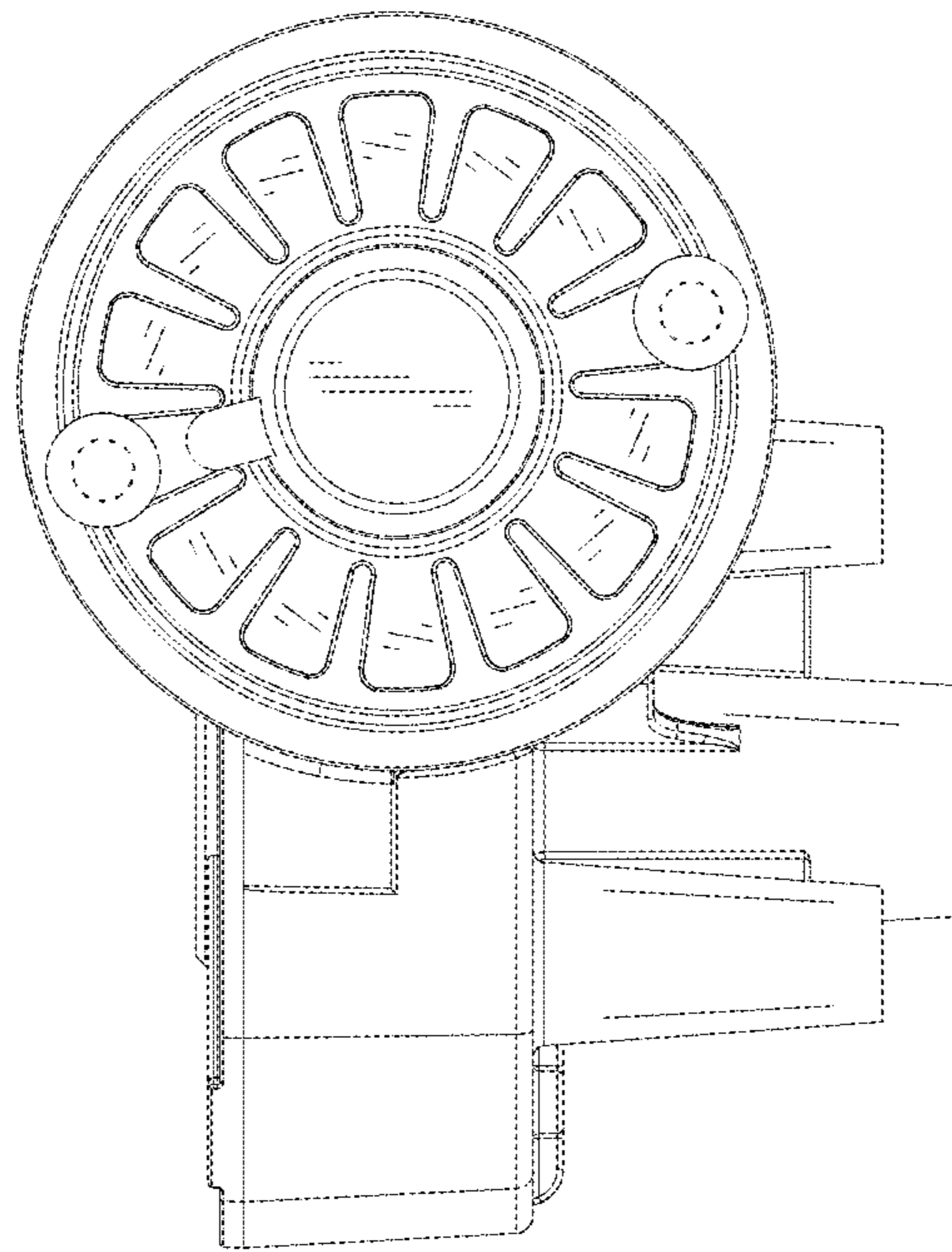


FIG. 6

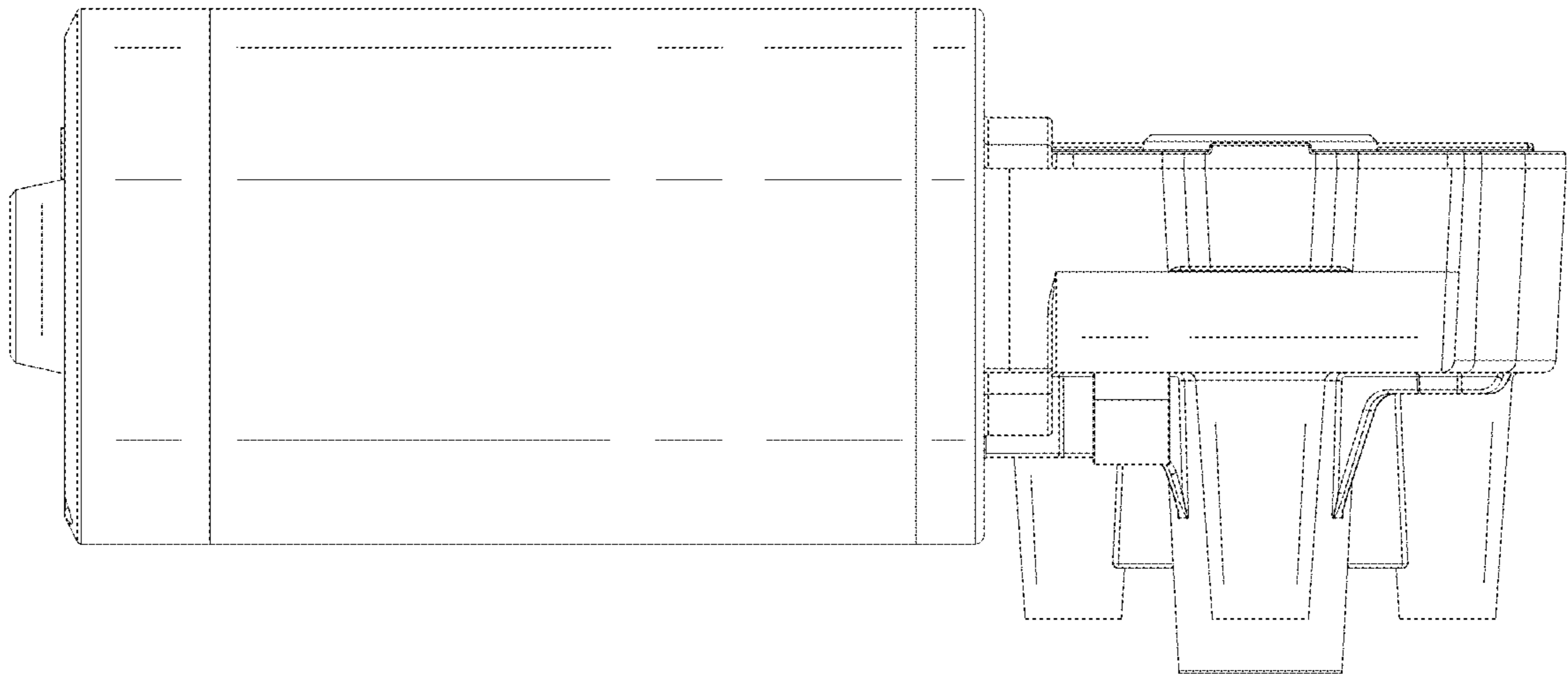


FIG. 7



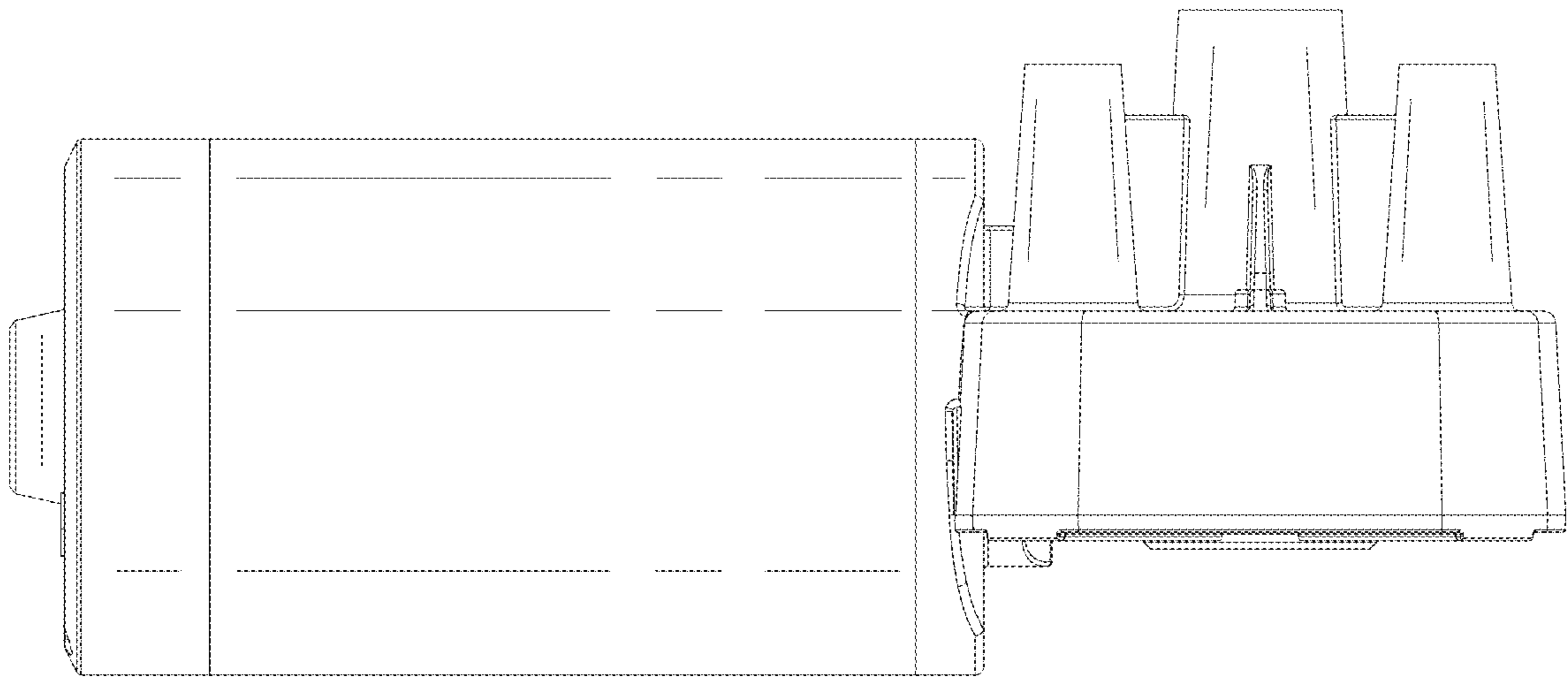


FIG. 8