



US00D949101S

(12) **United States Design Patent**
Iwahori et al.

(10) **Patent No.:** **US D949,101 S**
(45) **Date of Patent:** **** Apr. 19, 2022**

(54) **BATTERY CHARGER FOR EARPHONES**

(71) Applicant: **Audio-Technica Corporation**, Tokyo (JP)

(72) Inventors: **Keigo Iwahori**, Hukui (JP); **Toru Ueno**, Hukui (JP); **Toru Fusejima**, Tokyo (JP)

(73) Assignee: **AUDIO-TECHNICA CORPORATION**, Tokyo (JP)

(**) Term: **15 Years**

(21) Appl. No.: **29/742,194**

(22) Filed: **Apr. 15, 2020**

(30) **Foreign Application Priority Data**

Oct. 16, 2019 (JP) 2019-023098

(51) **LOC (13) Cl.** **13-02**

(52) **U.S. Cl.**
USPC **D13/108; D3/294**

(58) **Field of Classification Search**
USPC D13/103, 107, 108, 110, 118, 119, 184,
D13/199; D3/201, 208, 218, 273, 274,
(Continued)

(56) **References Cited**

U.S. PATENT DOCUMENTS

D172,296 S * 5/1954 Nelson D9/423
D826,852 S * 8/2018 Hung D13/108
(Continued)

OTHER PUBLICATIONS

“Audio-Technica true wireless earbuds”. Found online Jul. 14, 2021 at [engadget.com](https://www.engadget.com/2019-09-08-audio-technica-ath-ck3tw-true-wireless-earbuds-hands-on.html). Reference dated Sep. 8, 2019. Retrieved from <https://www.engadget.com/2019-09-08-audio-technica-ath-ck3tw-true-wireless-earbuds-hands-on.html>. (Year: 2019).*

(Continued)

Primary Examiner — Kendra Leslie Hamilton

Assistant Examiner — Amanda Christensen

(74) *Attorney, Agent, or Firm* — WCF IP

(57) **CLAIM**

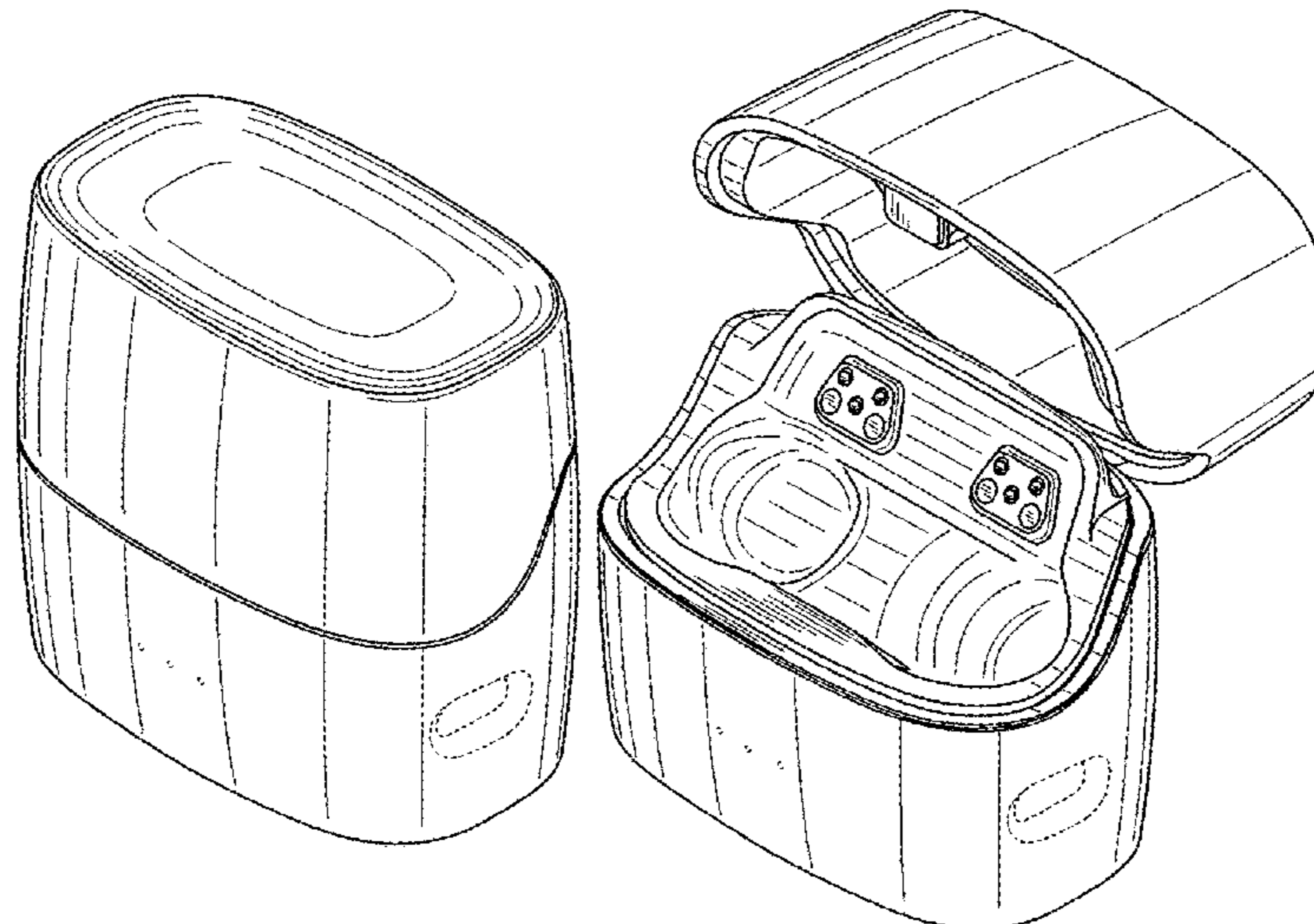
The ornamental design for a battery charger for earphones, as shown and described.

DESCRIPTION

FIG. 1 is a top, front, right side perspective view of a battery charger for earphones, shown closed in a first configuration; FIG. 2 is a front elevational view thereof; FIG. 3 is a rear elevational view thereof; FIG. 4 is a top plan view thereof; FIG. 5 is a bottom plan view thereof; FIG. 6 is a right side elevational view thereof; FIG. 7 is a left side elevational view thereof; FIG. 8 is a cross-sectional right side elevational view thereof, taken in the direction of line 8-8 of FIG. 2; FIG. 9 is a top, front, right side perspective view of the battery charger for earphones, shown open in a second configuration; FIG. 10 is a front elevational view thereof; FIG. 11 is a rear elevational view thereof; FIG. 12 is a top plan view thereof; FIG. 13 is a bottom plan view thereof; FIG. 14 is a right side elevational view thereof; FIG. 15 is a left side elevational view thereof; FIG. 16 is a cross-sectional right side elevational view thereof, taken in the direction of line 16-16 of FIG. 10; FIG. 17 is a cross-sectional rear elevational view thereof, taken in the direction of line 17-17 of FIG. 14; and, FIG. 18 is a top, front, right side perspective view of the battery charger for earphones, shown open in a second configuration and in a condition of use.

The broken lines in the drawings depict portions of the battery charger for earphones that form no part of the claimed design. The broken lines showing ear phones in FIG. 18 depict environmental subject matter that forms no part of the claimed design.

1 Claim, 18 Drawing Sheets



(58) **Field of Classification Search**

USPC D3/294, 295, 296, 298; D9/414, 420,
D9/423, 430; D14/223, 251, 432
CPC .. H02J 7/0044; A45C 2011/001; B65D 43/16;
H04R 1/1025

See application file for complete search history.

(56) **References Cited**

U.S. PATENT DOCUMENTS

D881,572 S * 4/2020 Wang D3/294
D904,023 S * 12/2020 Wang D3/294
D904,755 S * 12/2020 Birger D3/201
D907,363 S * 1/2021 Distefano D3/294
D910,553 S * 2/2021 Cramer D13/108
D912,622 S * 3/2021 Zhou D13/108
D914,591 S * 3/2021 Ganapathy D13/107
D923,609 S * 6/2021 Li D14/223
2018/0194525 A1 * 7/2018 Arnold G01F 19/002
2020/0084532 A1 * 3/2020 Lo H02J 7/342
2020/0304898 A1 * 9/2020 Cohen H04R 1/1016

OTHER PUBLICATIONS

“Audio Technica QuietPoint Headphones”. Found online Jul. 14, 2021 at gstylemag.com. Reference dated Nov. 25, 2020. Retrieved from <https://gstylemag.com/2020/11/25/audio-technica-ath-anc300tw-anc-headphones-review/>. (Year: 2020).*

“Mi AirDots Pro 2”. Found online Dec. 15, 2020 at gadgets.ndtv.com. Reference dated Sep. 25, 2019. Retrieved from <https://gadgets.ndtv.com/audio/news/mi-airdots-pro-2-power-bank-3-50w-mi-charge-turbo-wireless-charging-stand-30w-price-cny-399-299-199-2106933>. (Year: 2019).*

* cited by examiner

FIG. 1

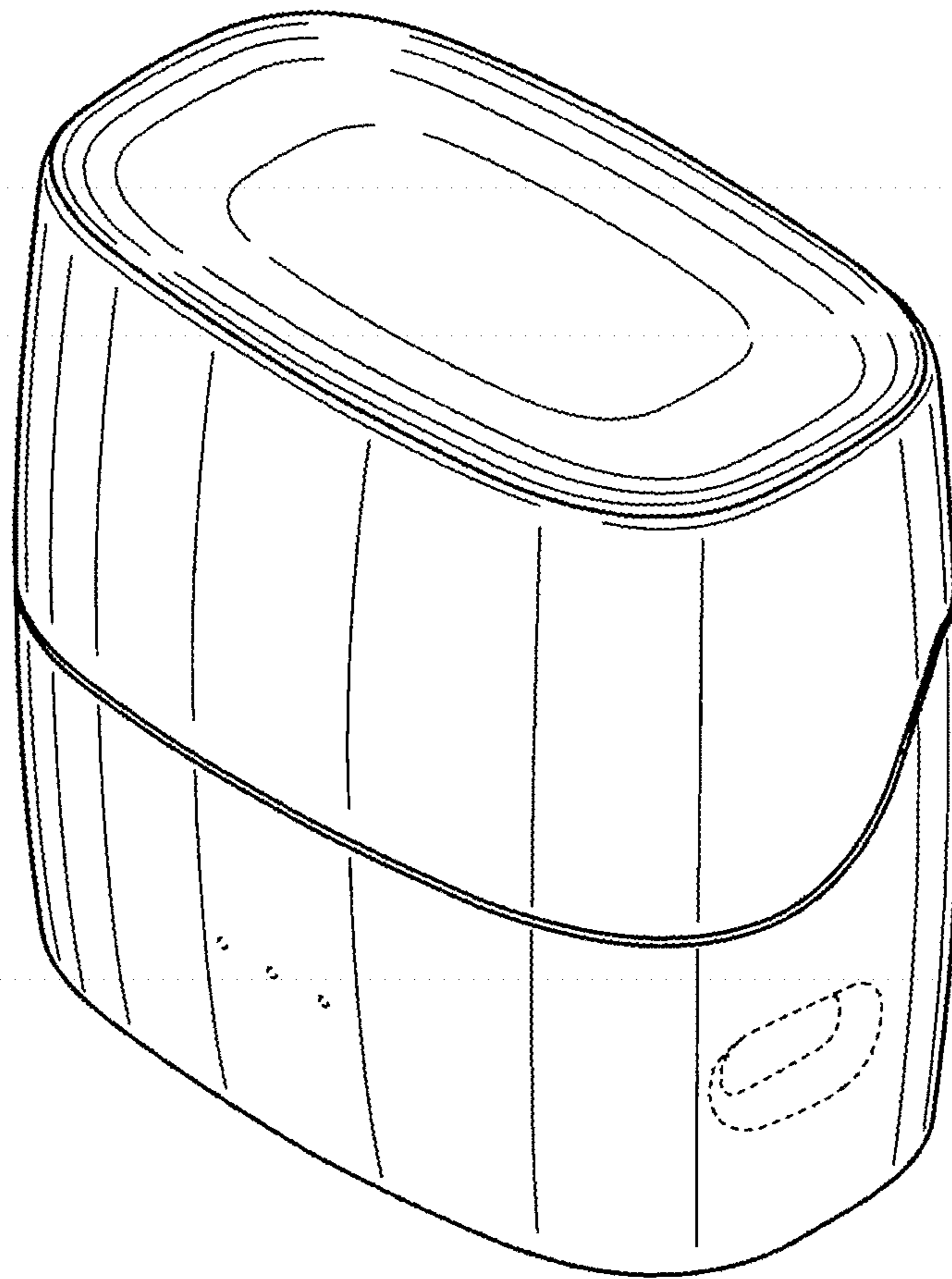


FIG. 2

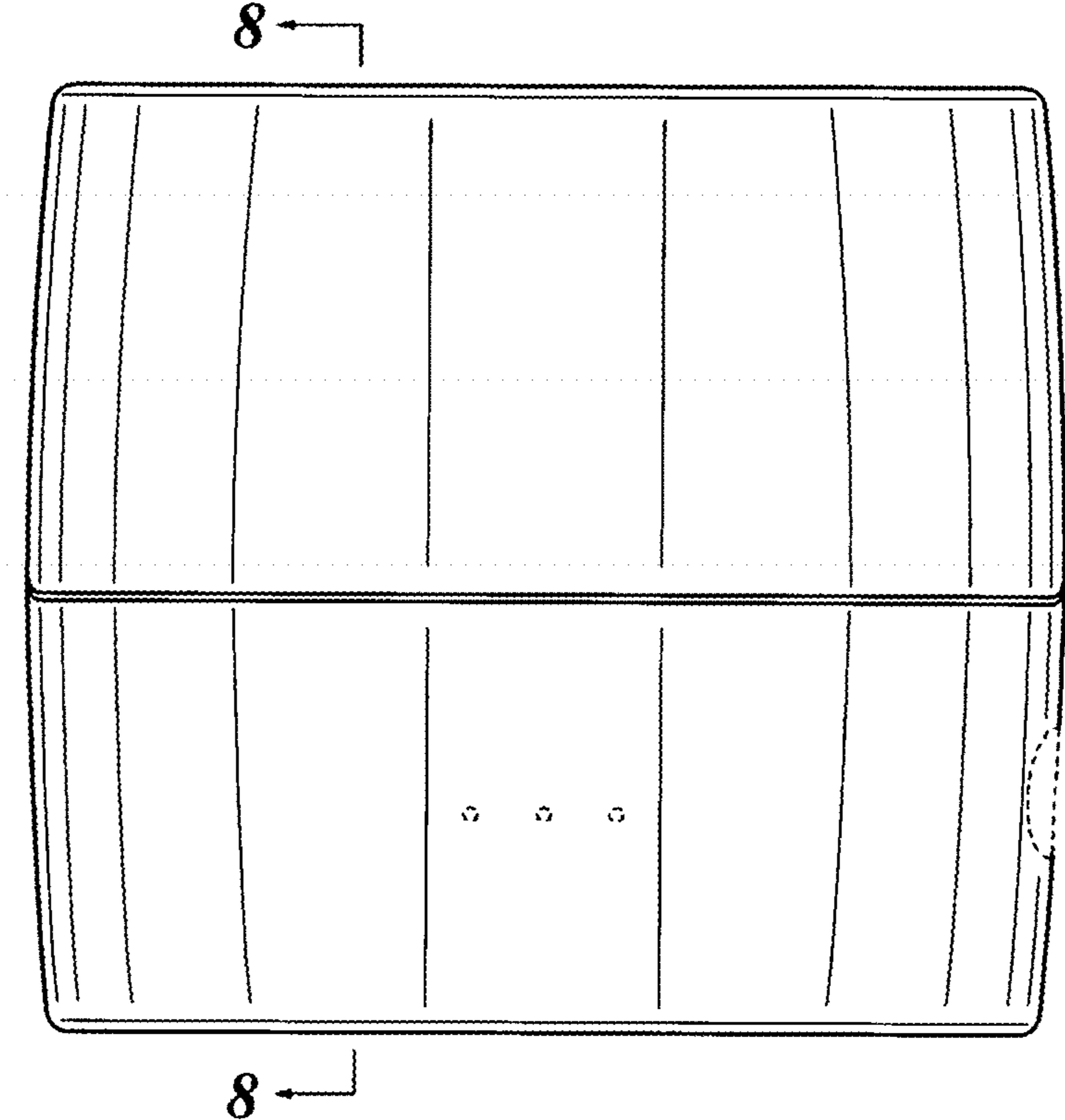


FIG. 3

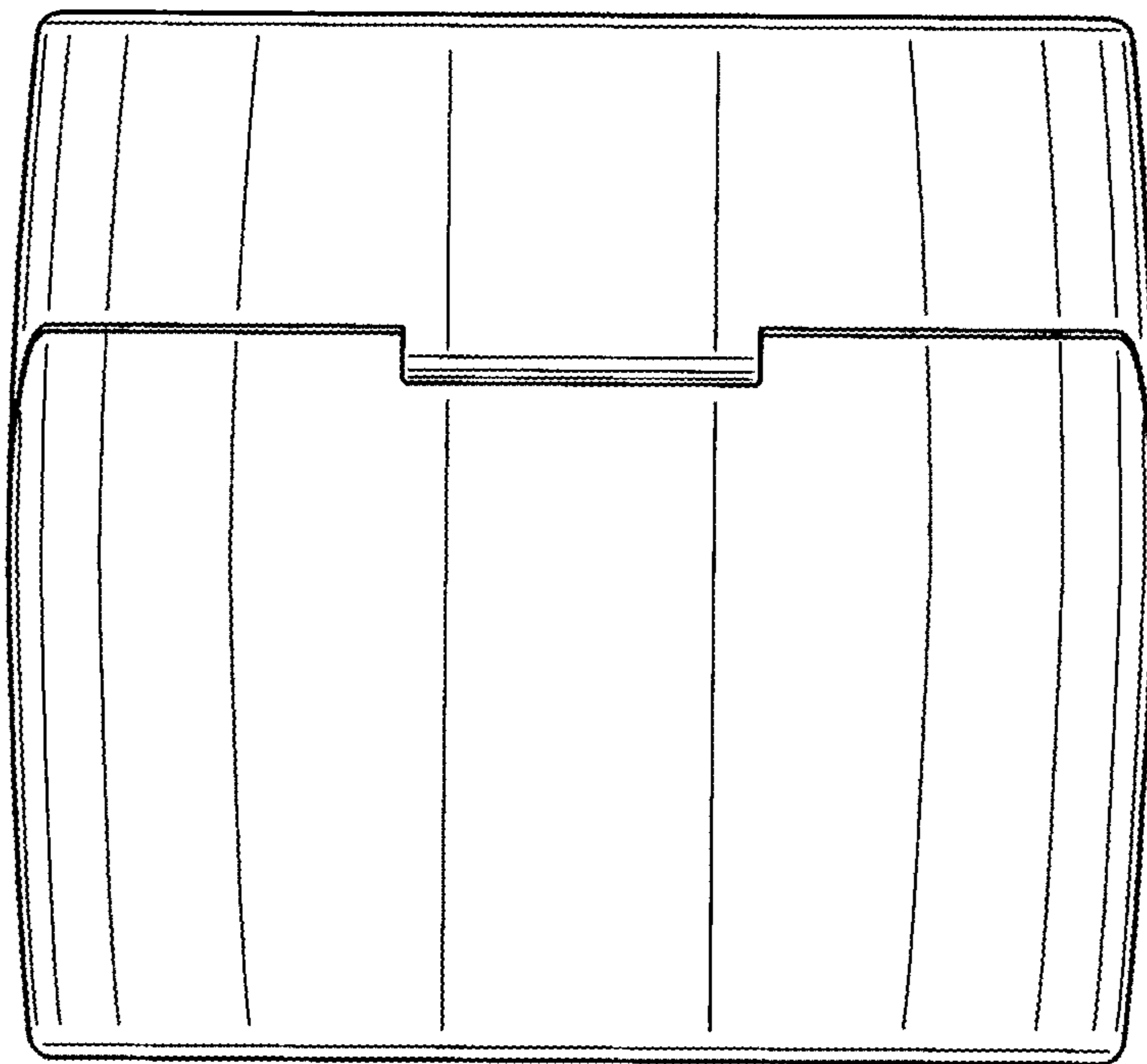


FIG. 4

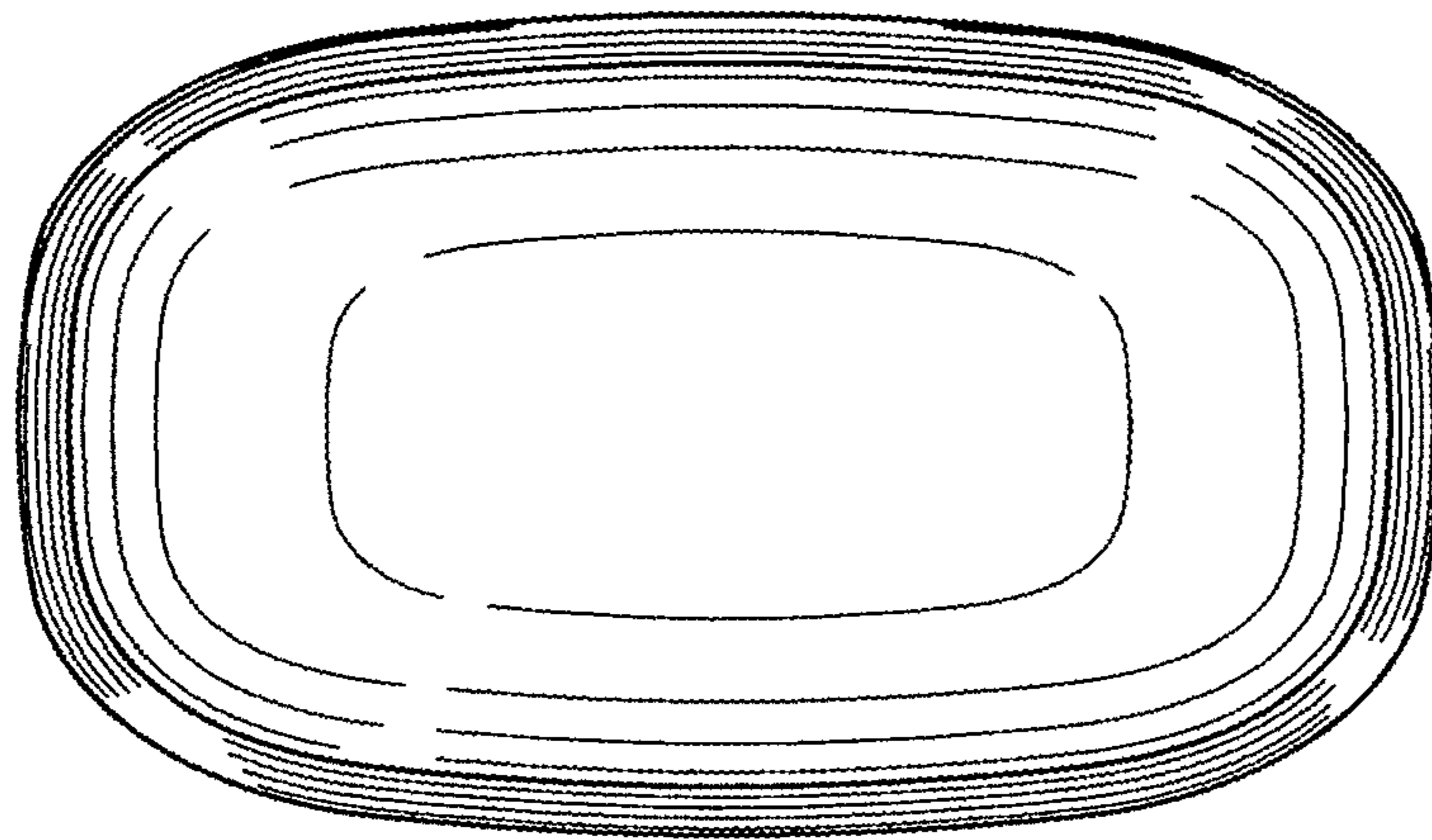


FIG. 5

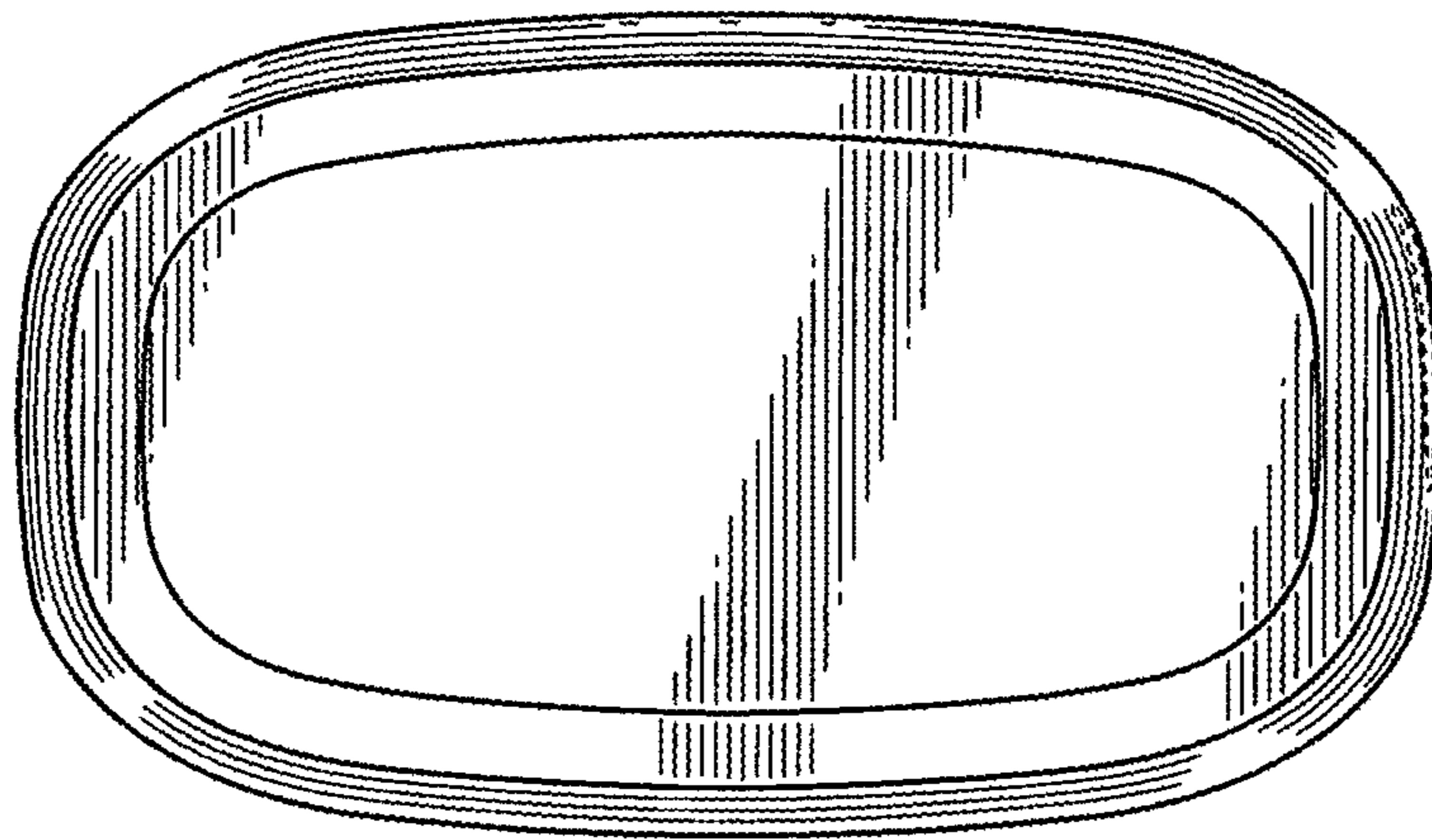


FIG. 6

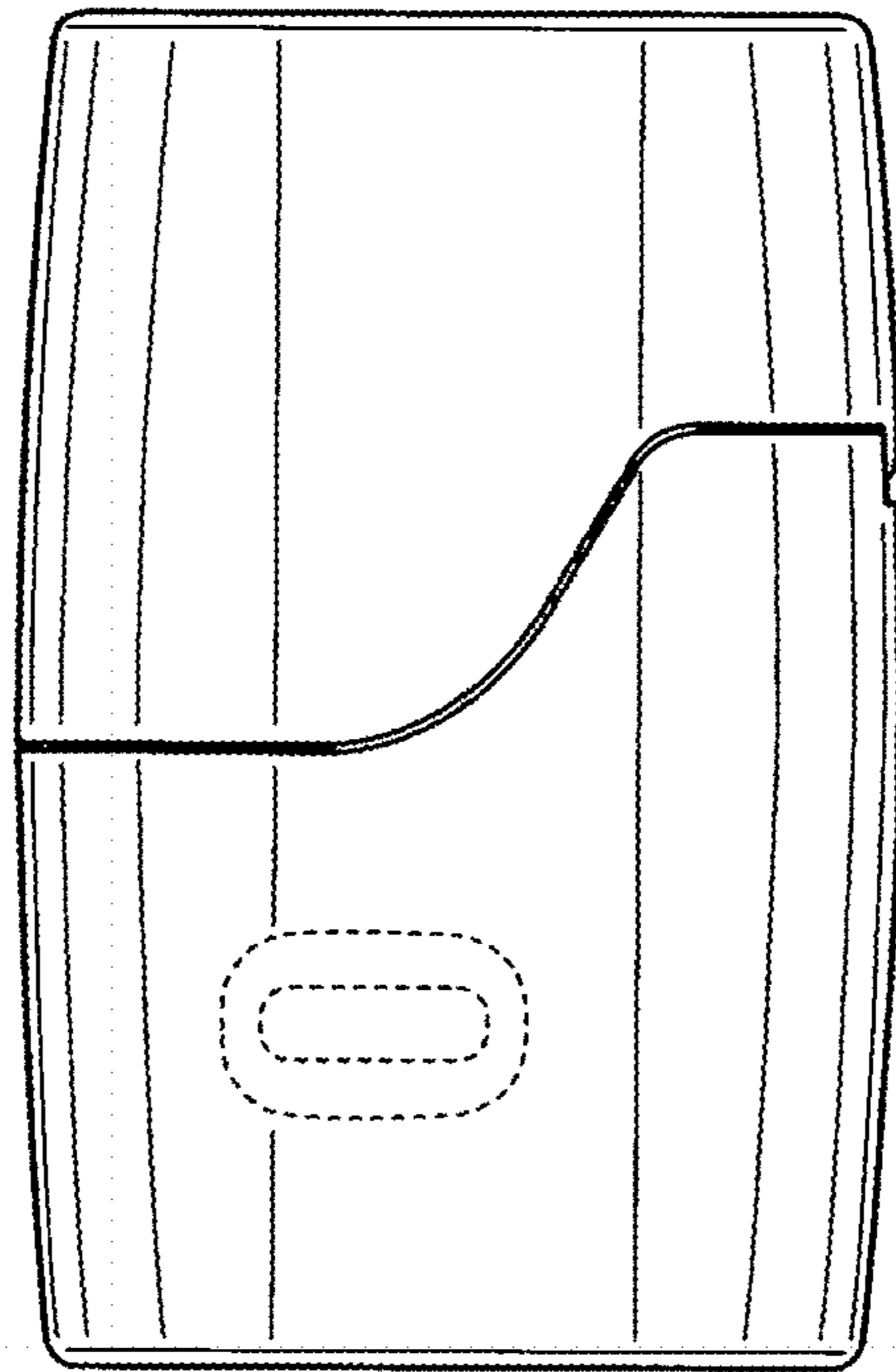


FIG. 7

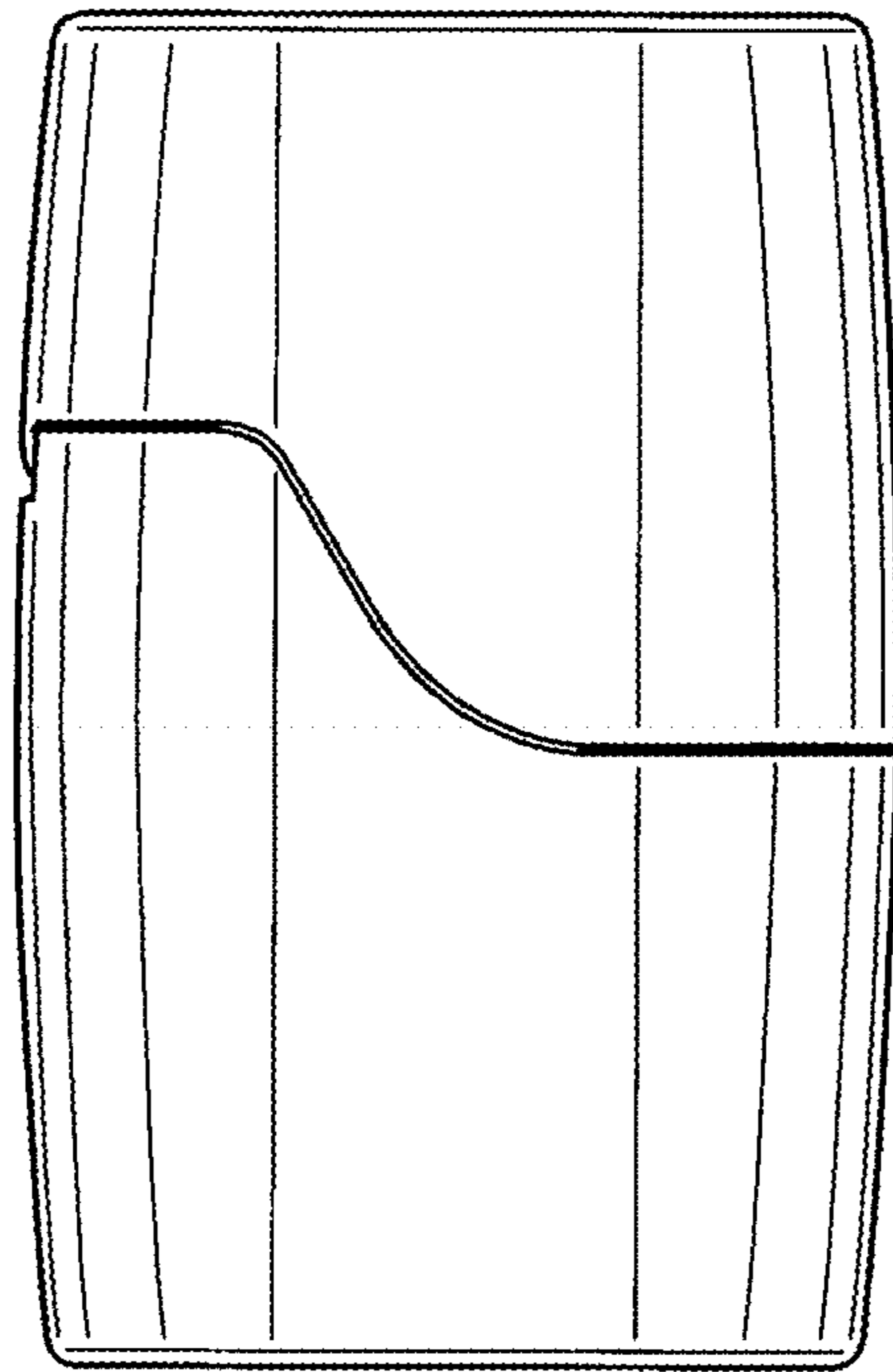


FIG. 8

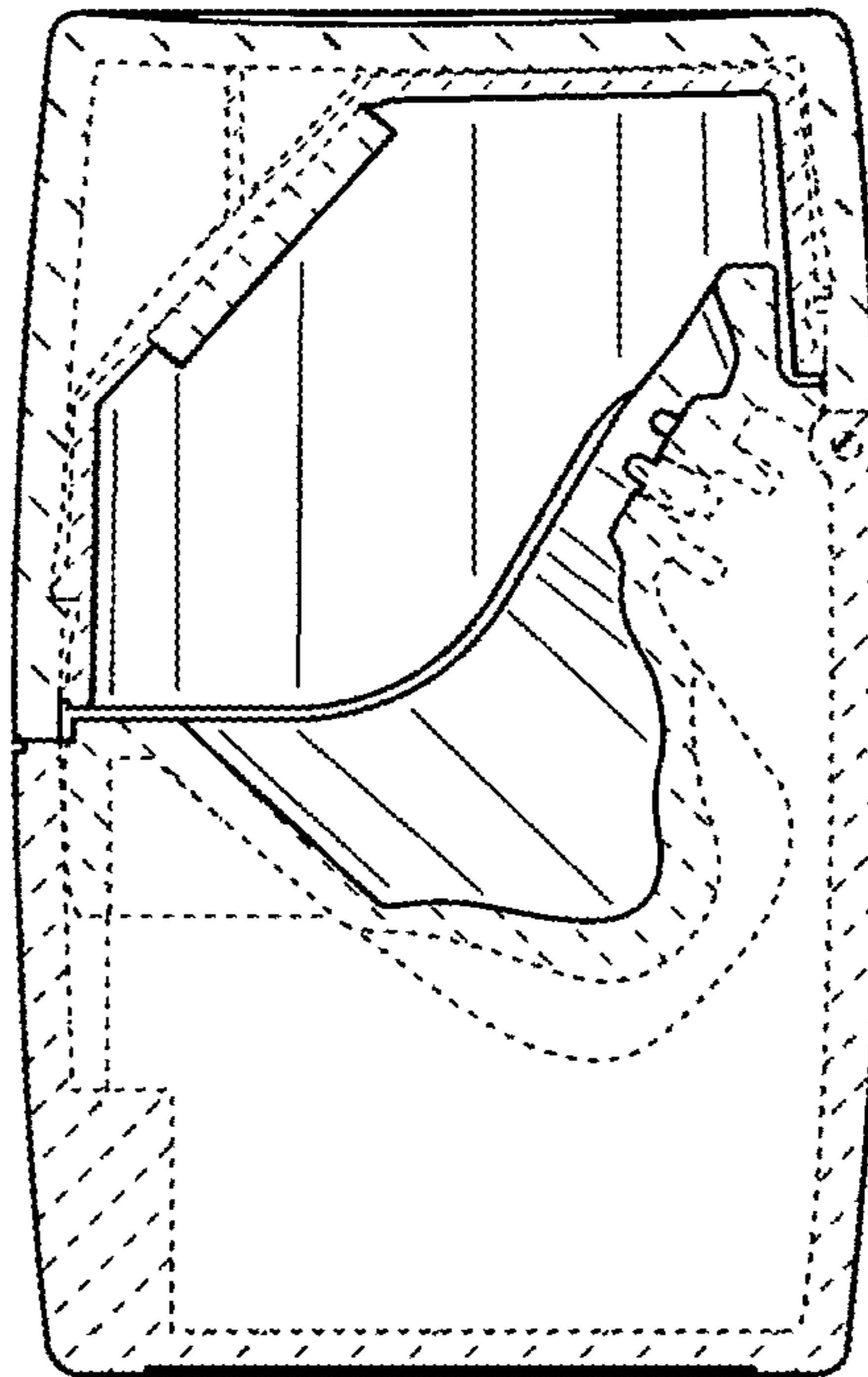


FIG. 9

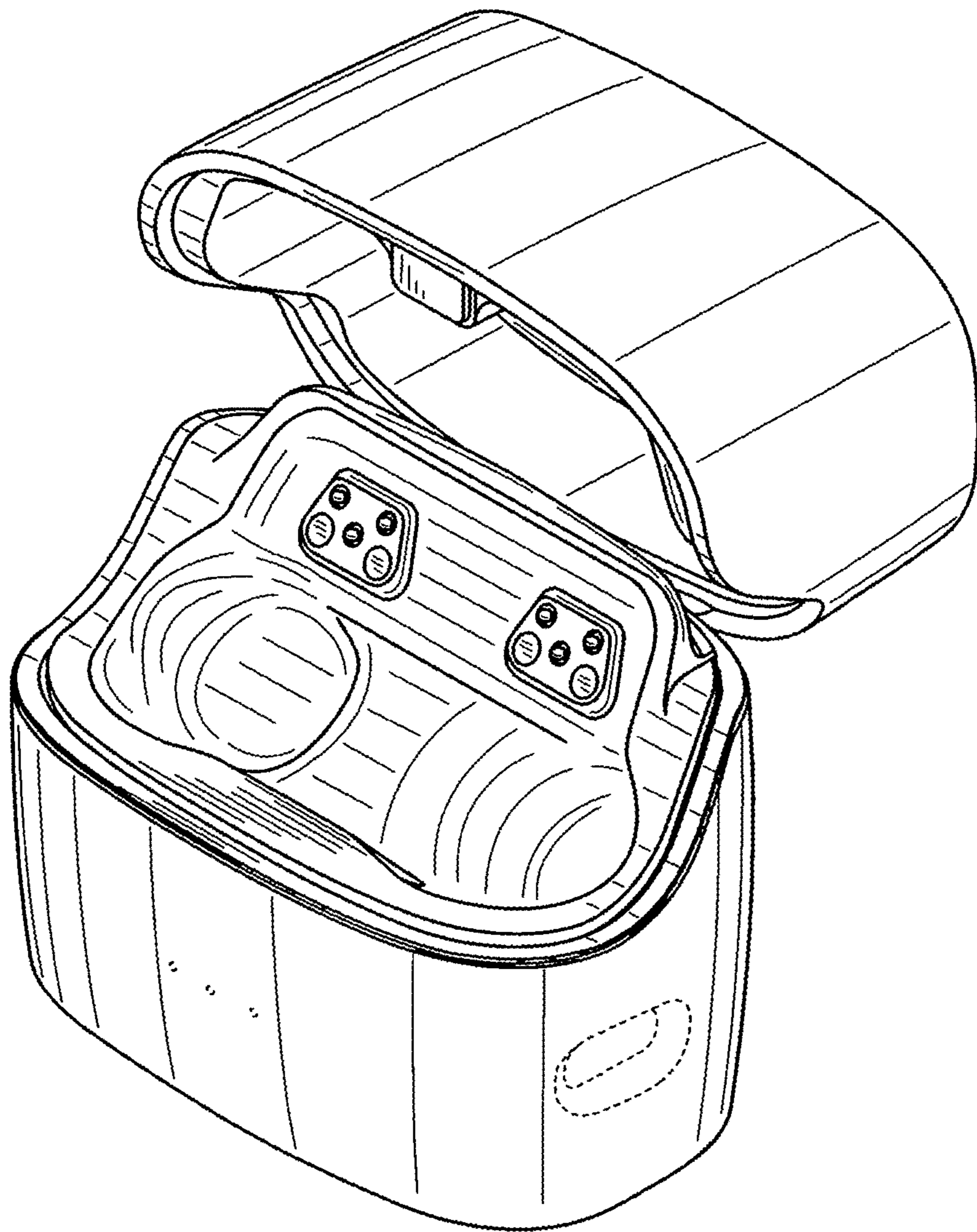


FIG. 10

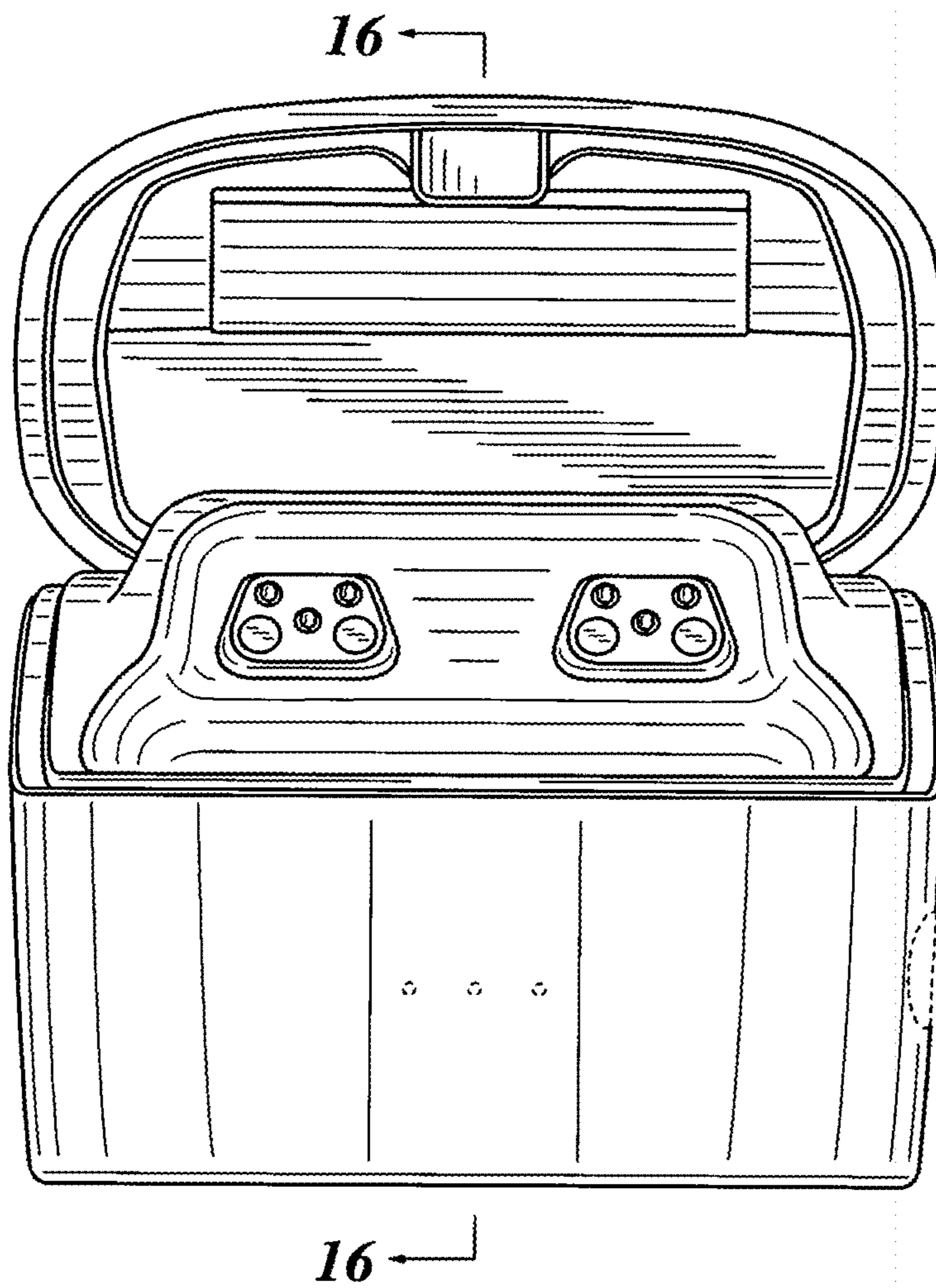


FIG. 11

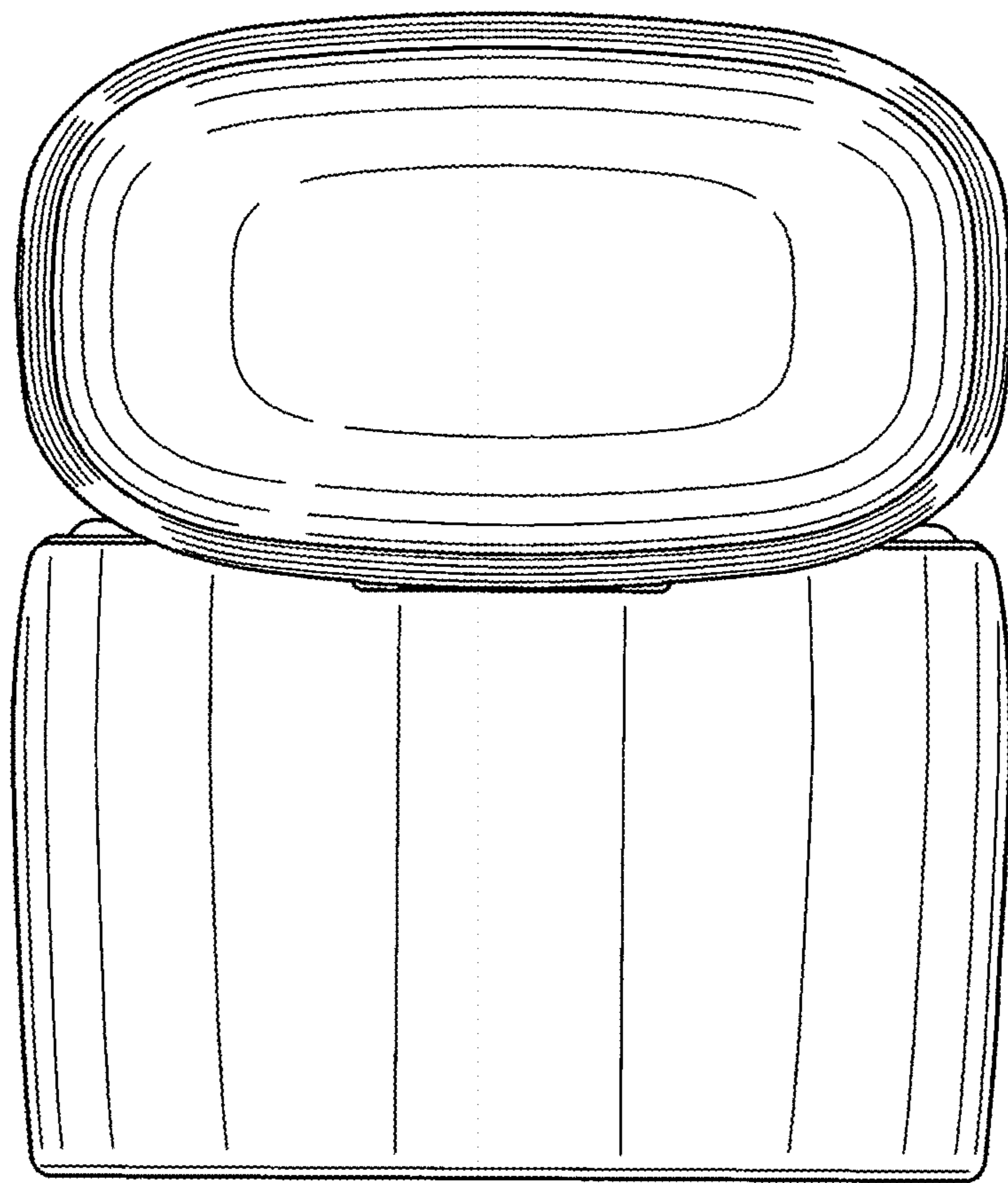


FIG. 12

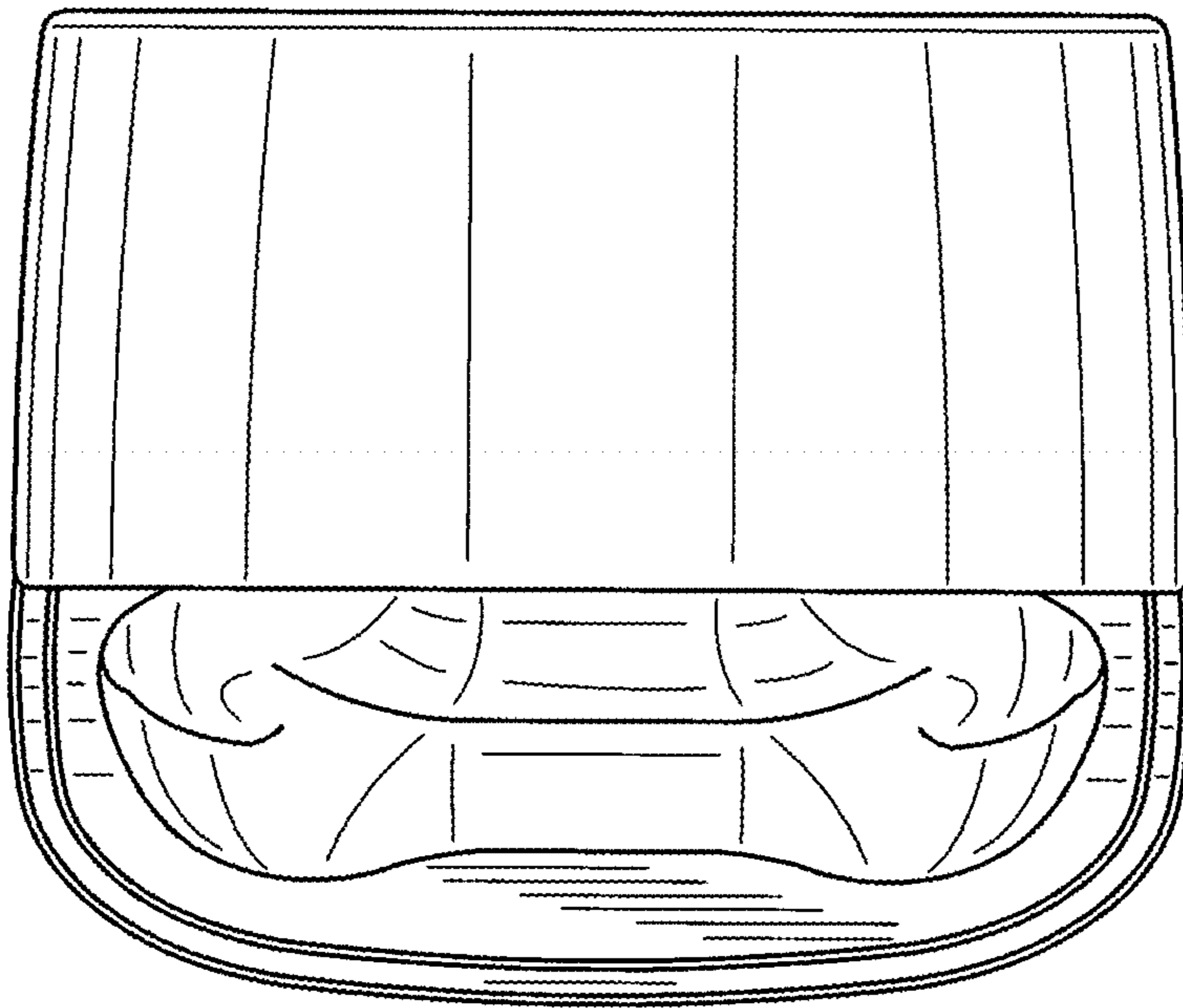


FIG. 13

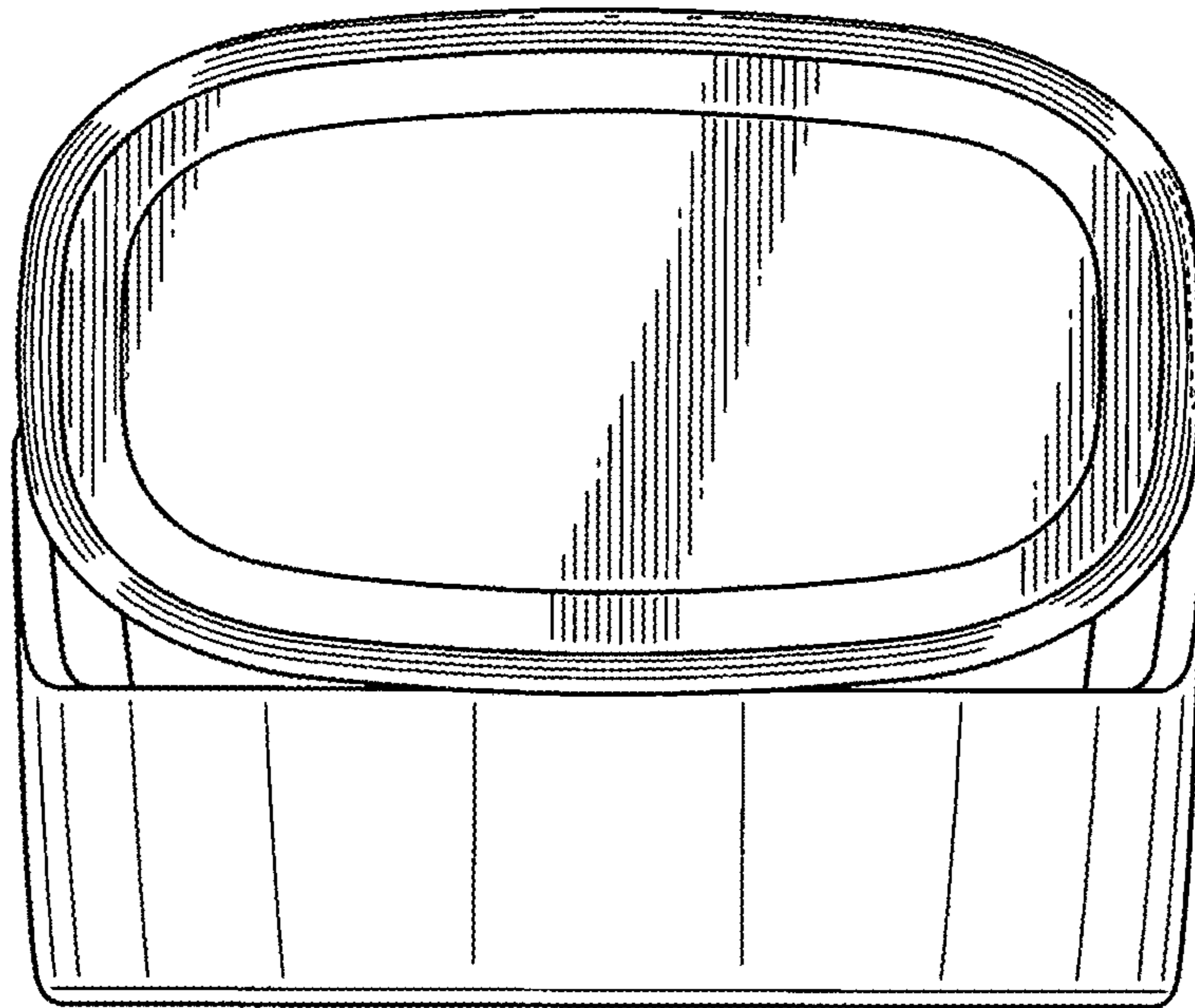


FIG. 14

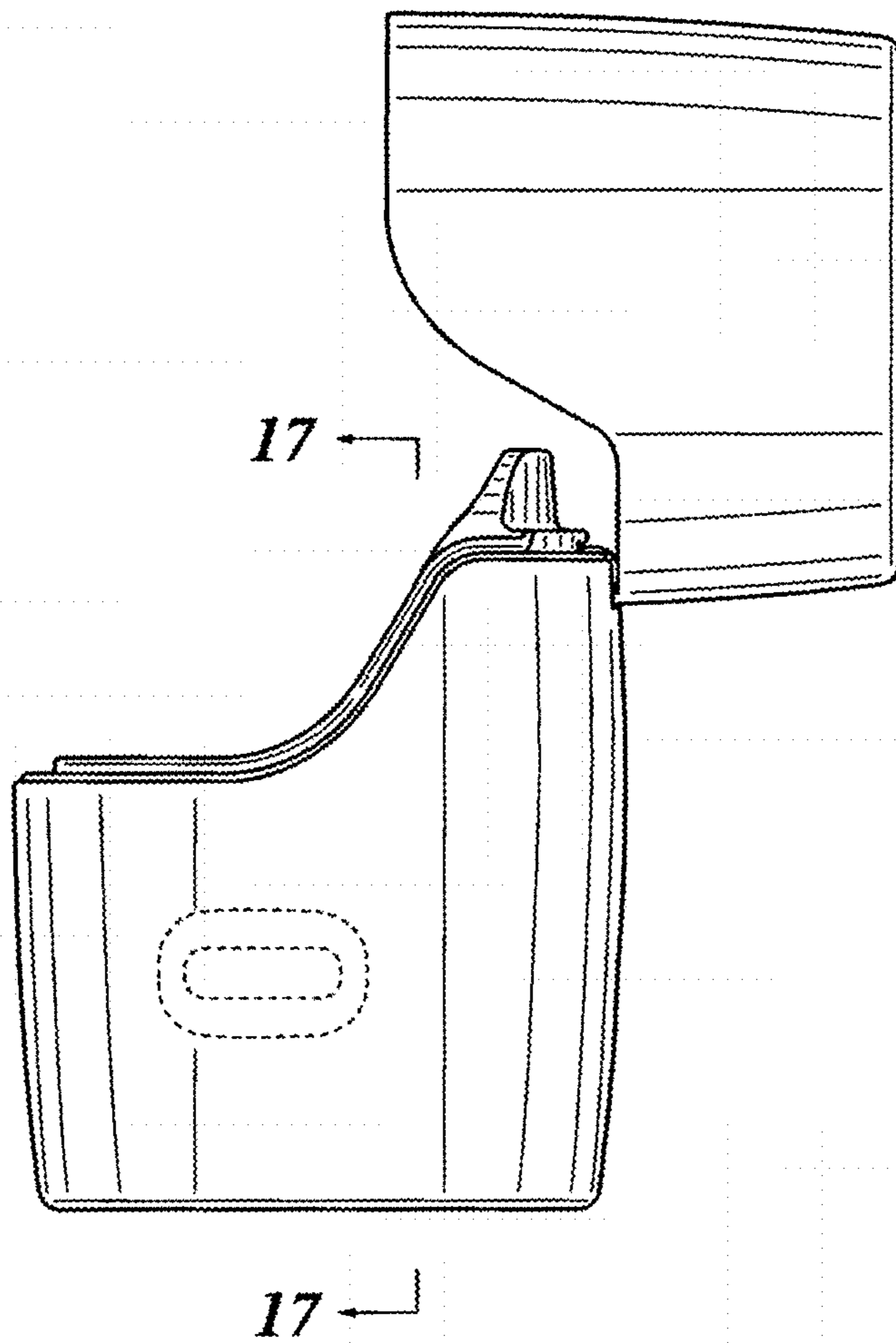


FIG. 15

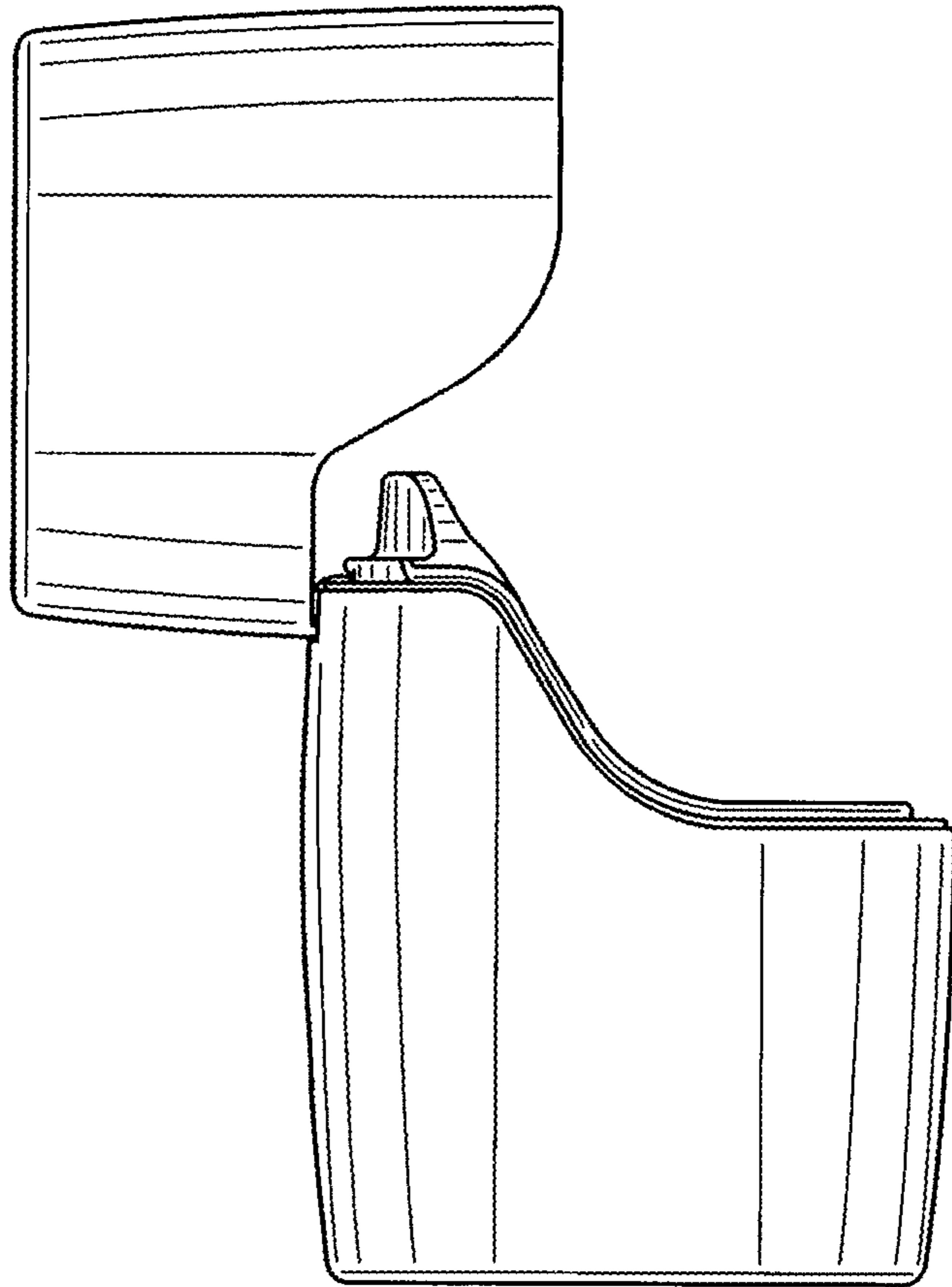


FIG. 16

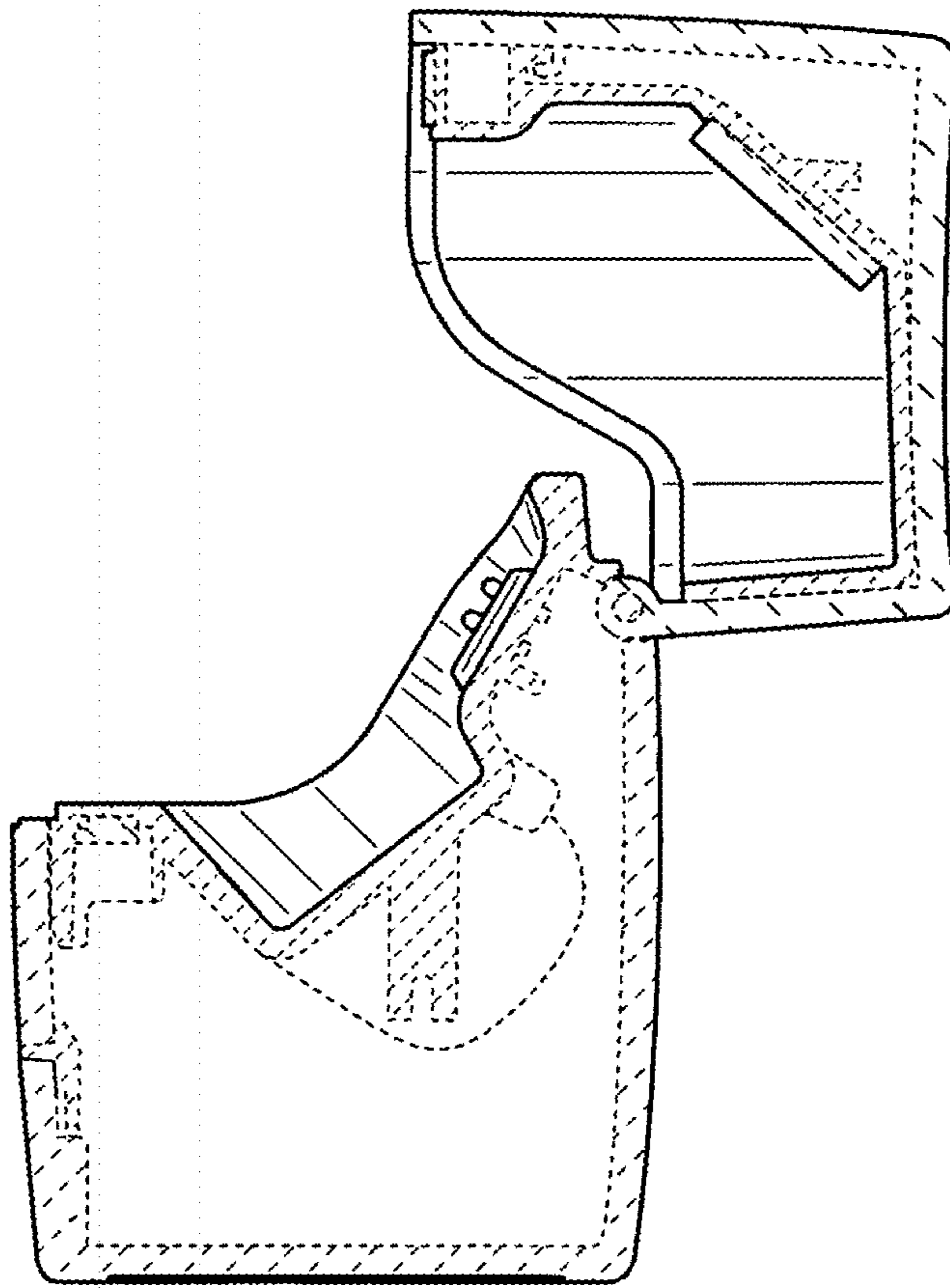


FIG. 17

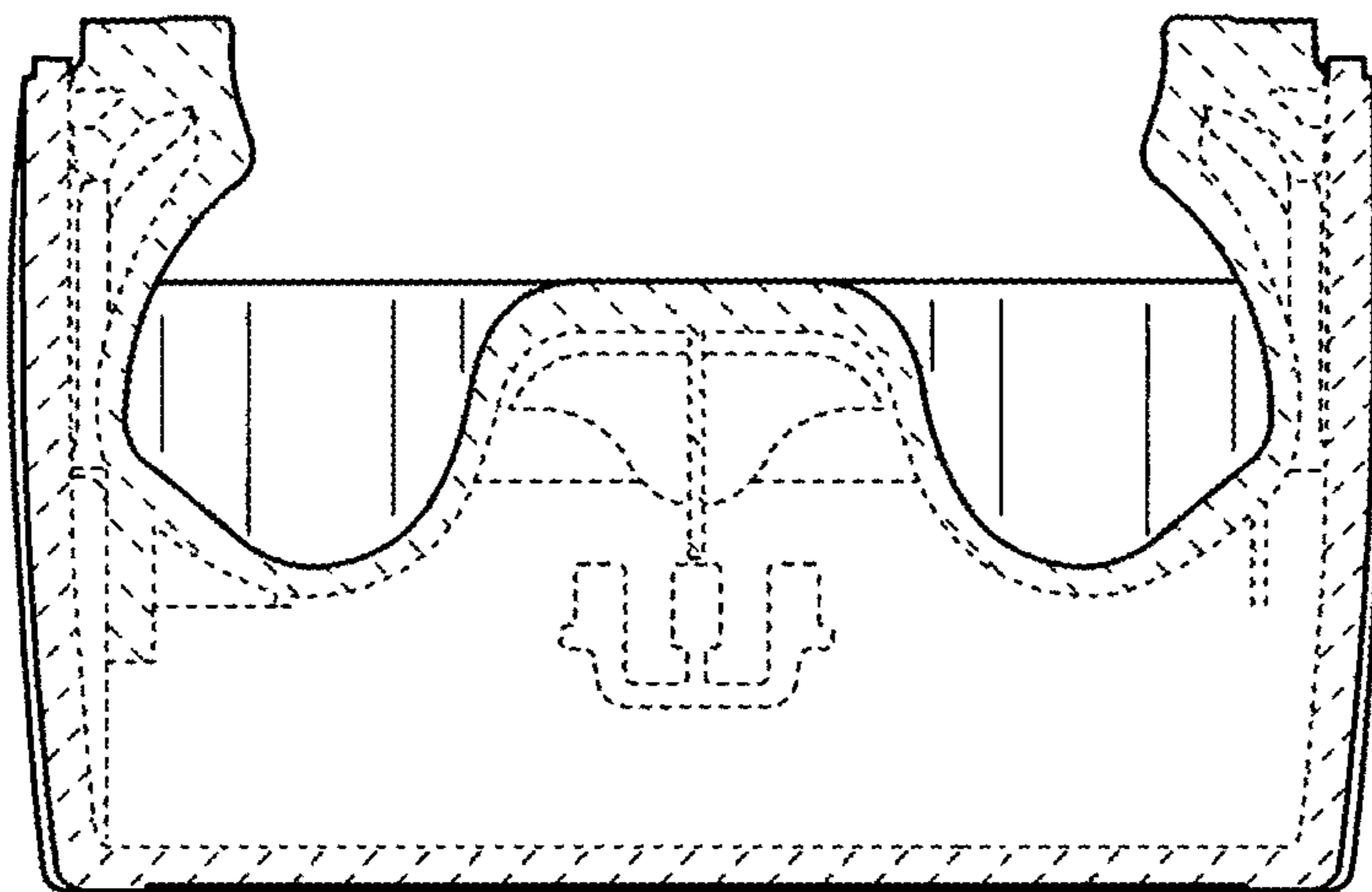


FIG. 18

