

US00D949095S

(12) **United States Design Patent**  
**Boris**

(10) **Patent No.:** **US D949,095 S**  
(45) **Date of Patent:** **\*\* Apr. 19, 2022**

(54) **BATTERY WITH CHARGING PORT AND KEY WAY**

(71) Applicant: **STREAMLIGHT, INC.**, Eagleville, PA (US)

(72) Inventor: **Thomas D. Boris**, Collegeville, PA (US)

(73) Assignee: **Streamlight, Inc.**, Eagleville, PA (US)

(\*\*) Term: **15 Years**

(21) Appl. No.: **29/746,505**

(22) Filed: **Aug. 14, 2020**

(51) **LOC (13) Cl.** ..... **13-02**

(52) **U.S. Cl.**  
USPC ..... **D13/103**

(58) **Field of Classification Search**  
USPC ..... D13/102, 103, 104, 105, 106, 107, 108, D13/110, 118, 119, 184, 199; D3/273, D3/274, 302, 201, 264

CPC ..... Y02E 60/12; Y02E 60/122; Y02E 60/124; Y02E 60/50; H01M 10/4257; H01M 10/0436; H01M 10/48; H01M 2/02; H01M 2/022; H01M 2/0202; H01M 2/0207; H01M 2/0212; H01M 2/1061; H01M 2/1022; H01M 2/1055; H01M 2/1066; H01M 2/105; H01M 2/204; H01M 2/04; H01M 2/0404; H01M 2/0406; H01M 2/0465; H01M 2/06  
See application file for complete search history.

(56) **References Cited**

**U.S. PATENT DOCUMENTS**

5,432,689 A 7/1995 Sharrah et al.  
D431,720 S \* 10/2000 Fortune ..... D3/264  
RE37,092 E 3/2001 Sharrah et al.

(Continued)

**FOREIGN PATENT DOCUMENTS**

CN 305522811 \* 12/2019  
EM 008036818-0001 7/2020

(Continued)

**OTHER PUBLICATIONS**

“Anker PowerCore 5000 Portable Charger, Ultra-Compact 5000mAh External Battery with Fast-Charging Technology, Power Bank for iPhone, iPad, Samsung Galaxy and More”, first available Mar. 11, 2016. Amazon.com [https://www.amazon.com/Anker-PowerCore-Ultra-Compact-High-Speed-Technology/dp/B01CU1EC6Y?source=ps-sl-shoppingads-lpcontext&psc=1] (Year: 2016).\*

(Continued)

*Primary Examiner* — Rosemary K Tarcza

*Assistant Examiner* — Seth David Kumpf

(74) *Attorney, Agent, or Firm* — Clement A. Berard, Esq.; Dann, Dorfman, Herrell & Skillman, PC

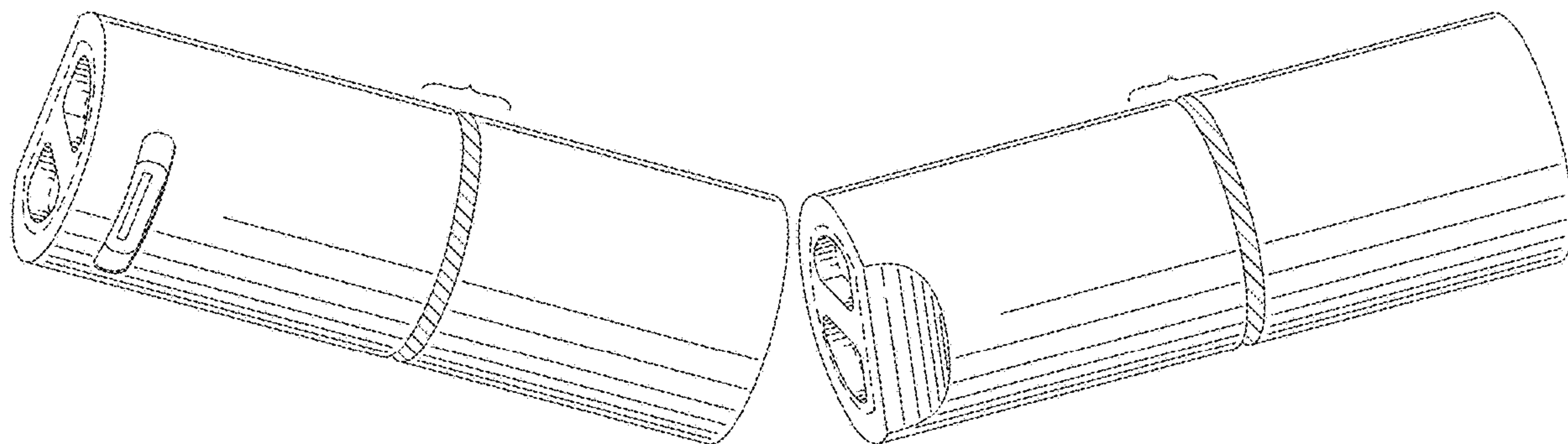
(57) **CLAIM**

The ornamental design for a battery with charging port and key way, substantially as shown and described.

**DESCRIPTION**

FIG. 1 is a perspective view of an ornamental design for a battery with charging port and key way; FIG. 2 is a second perspective view thereof; FIG. 3 is a side view of a first side thereof; FIG. 4 is a side view of a second side thereof; FIG. 5 is a side view of a third side thereof; FIG. 6 is a side view of a fourth side thereof; FIG. 7 is an end view of a first end thereof; and, FIG. 8 is an end view of a second end thereof. Broken lines in the drawing indicate parts of the article that are not claimed herein, and that form no part of the claimed design. The article is shown with a symbolic break in its length. The appearance of any part of the article between such break lines is not part of the claimed design.

**1 Claim, 3 Drawing Sheets**



(56)

References Cited

U.S. PATENT DOCUMENTS

D495,819 S \* 9/2004 Krieger ..... D26/104  
 7,806,555 B2 10/2010 Liu  
 RE42,945 E 11/2011 Sharrah et al.  
 D674,746 S \* 1/2013 Zhang ..... D13/102  
 D833,334 S 11/2018 Takayanagi  
 D833,384 S \* 11/2018 Takayanagi ..... D13/103  
 D844,557 S \* 4/2019 Wang ..... D13/103  
 D856,274 S \* 8/2019 Ebrahimi Afrouzi ..... D13/103  
 D867,069 S \* 11/2019 Wang ..... D7/515  
 2013/0343042 A1 12/2013 Windom  
 2014/0347249 A1\* 11/2014 Bourilkov ..... H01Q 7/08  
 343/904  
 2015/0140379 A1\* 5/2015 Yau ..... H01M 10/425  
 429/90  
 2015/0212315 A1\* 7/2015 Specht ..... H01M 10/48  
 340/815.4  
 2018/0120386 A1\* 5/2018 Riemer ..... G01R 31/364  
 2018/0123175 A1\* 5/2018 Riemer ..... H04L 67/125

FOREIGN PATENT DOCUMENTS

KR 300577436.0000 \* 11/2010  
 KR 301042532.0000 \* 1/2020

OTHER PUBLICATIONS

“Streamlight 18650 USB Battery (2 Pack)”, first accessed Jul. 8, 2021. TacticalGear.com [https://tacticalgear.com/streamlight-18650-usb-battery-2-pack-black?searchterm=streamlight%2018650] (Year: 2021).\*

“SureFire 18650 Li-Ion Rechargeable Battery with Charging Port (3.6V, 3500mAh)”, first accessed May 17, 2021. BHPhotoVideo.com [https://www.bhphotovideo.com/c/product/1456473-REG/surefire\_sf18650b\_18650\_rechargeable\_lithium\_ion\_battery.html/overview?ap=y&smp=y] (Year: 2021).\*

AmpTorrent, “USB Rechargeable AA Batteries Lithium 2960mWh High Capacity, 1.5V Constant Output, 2 Hours Fast Charging Batteries 4 Pack with 4 in 1 Charging Cable”, date first listed on Amazon—Dec. 17, 2019, 8 pages, https://www.amazon.com/dp/B082W2MP8Y/ref=sspa\_dk\_detail\_4?psc=1&pd\_rd\_i=B082W2MP8Y&pd\_rd\_w=GrP2n&pf\_rd\_p=48d372c1-f7e1-4b8b-9d02-4bd86f5158c5&pd\_rd\_wg=uFbVU&pf\_rd\_r=NR7ZXXCG7KY55DHT35E0&pd\_

rd\_r=3a94fcaa-1876-4d7d-b441-0d74daf917d7&spLa=ZW5jcnlwdGVkUXVhbGlmaWVyPUEyOE1XUVJQNEMzNTNXJmVuY3J5cHRIZElkPUEwODY1NzQ0MkM0UDQxR0hJRUdDTyZlbnNyeXB0ZWRBZEIkPUEwMTYwMzE5M1g1SIBBOEEwMzVVSSZ3aWRnZXROYW11PXNwX2RldGFpbCZlY3Rpb249Y2xpY2tSZW Rpcm VjdCZkb05vdExvZ0NsaWNrPXRydWU.  
 Delipow, “AA Rechargeable Batteries, USB 1.5V Lithium Rechargeable Batteries, High Capacity 2800mWh Li-ion AA Battery, 1H Quick Charge, 1200 Cycles with USB Cable—4 Pack”, earliest date reviewed on Amazon—Jun. 9, 2019, 8 pages, https://www.amazon.com/dp/B07QV55YH9/ref=sspa\_dk\_detail\_3?pd\_rd\_i=B07QV55YH9&pd\_rd\_w=xJHlk&pf\_rd\_p=48d372c1-f7e1-4b8b-9d02-4bd86f5158c5&pd\_rd\_wg=pYtaZ&pf\_rd\_r=W6ADKPA2F4R7BX81SFPD&pd\_rd\_r=366aacc6-9e81-4453-82bc-e106954483db&spLa=ZW5jcnlwdGVkUXVhbGlmaWVyPUEFRUZhPU1V1Q0czRFQmZW5jcnlwdGVkSWQ9QTA5NTI2OTMxOTkwM0IQQkM5N1M2JmVuY3J5cHRIZEFkSWQ9QTAzMdCzNDIHNEZWW FBBNE9OV1Amd21kZ2V0TmFtZT1zcF9kZXRhaW w mYW N0aW9uPWNsaW NrUmVkaXJlY3QmZG9Ob3Rmb2dDbGljaz10cnVl&th=1.  
 Fuvaly, “USB Rechargeable Lithium AAA Batteries Triple A Li-ion Battery with Micro USB Charging Cable 1.5V 450mAh 1h Quick-Charge FUVALY (4pack)”, date first listed on Amazon—Apr. 18, 2019, 7 pages, https://www.amazon.com/Rechargeable-Batteries-Charging-Quick-Charge-Fuvaly/dp/B07QW531W2?th=1.  
 Streamlight, Inc., “Battery With Charging Port and Key Way”, Design U.S. Appl. No. 29/720,834, filed Jan. 16, 2020, 26 pages. United States Patent and Trademark Office, “Notice of Allowance”, Design U.S. Appl. No. 29/720,834, dated Sep. 21, 2021, 5 pages.  
 “Anker PowerCore 5000 Portable Charger, Ultra-Compact 5000mAh External Battery with Fast-Charging Technology, Power Bank for iPhone, iPad, Samsung Galaxy and More”, first available Mar. 11, 2016. Amazon.com, [https://www.amazon.com/Anker-PowerCore-Ultra-Compact-High-Speed-Technology/dp/B01CU1EC6Y?source=ps-sl-shoppingads-lpcontext&psc=1].  
 “Streamlight 18650 USB Battery (2 Pack)”, first accessed Jul. 8, 2021. TacticalGear.com [https://tacticalgear.com/streamlight-18650-usb-battery-2-pack-black?searchterm=streamlight%2018650].  
 “SureFire 18650 Li-Ion Rechargeable Battery with Charging Port (3.6V, 3500mAh)”, first accessed May 17, 2021. BHPhotoVideo.com [https://www.bhphotovideo.com/c/product/1456473-REG/surefire\_sf18650b\_18650\_rechargeable\_lithium\_ion\_battery.html/overview?ap=y&sm p=y].

\* cited by examiner



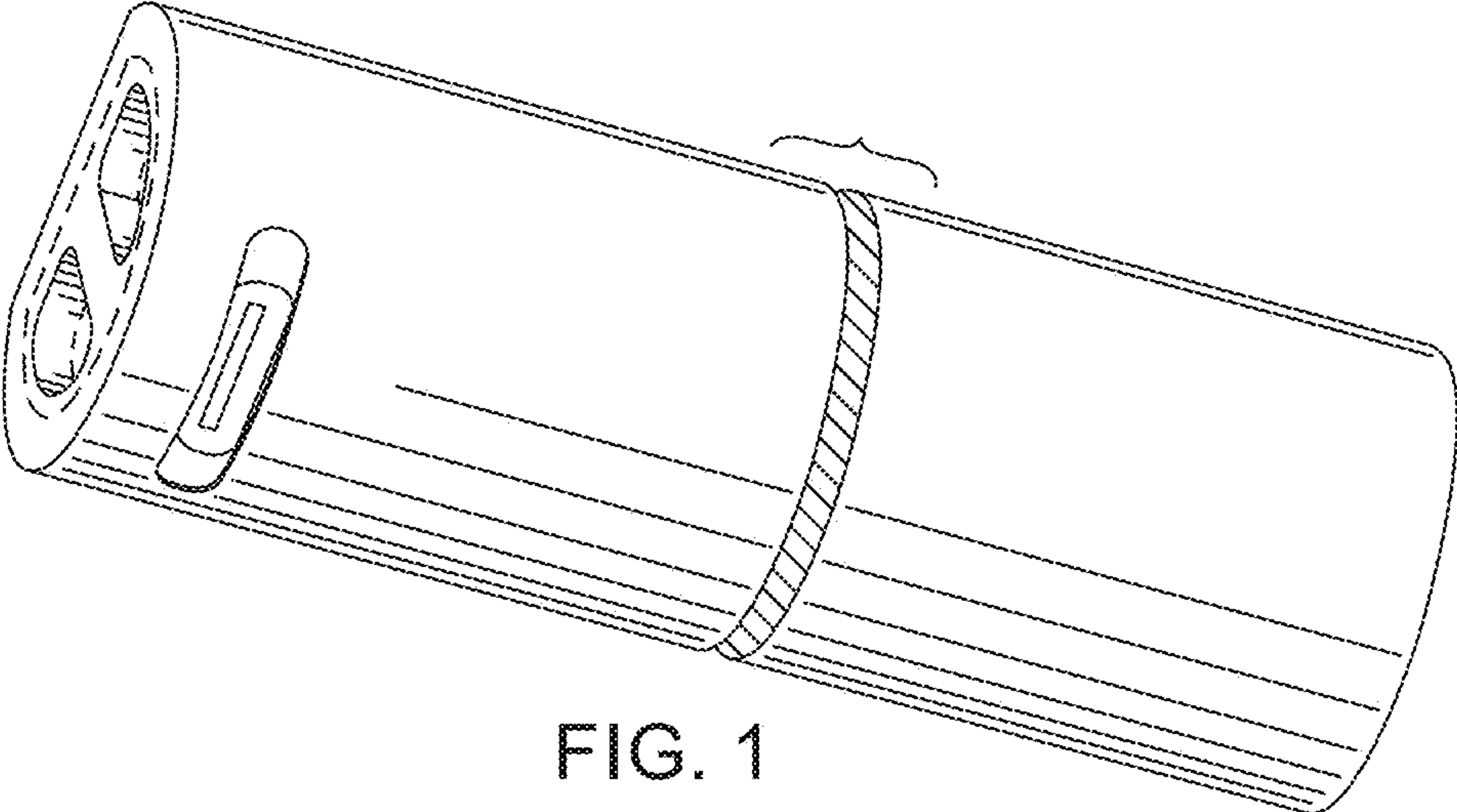


FIG. 1

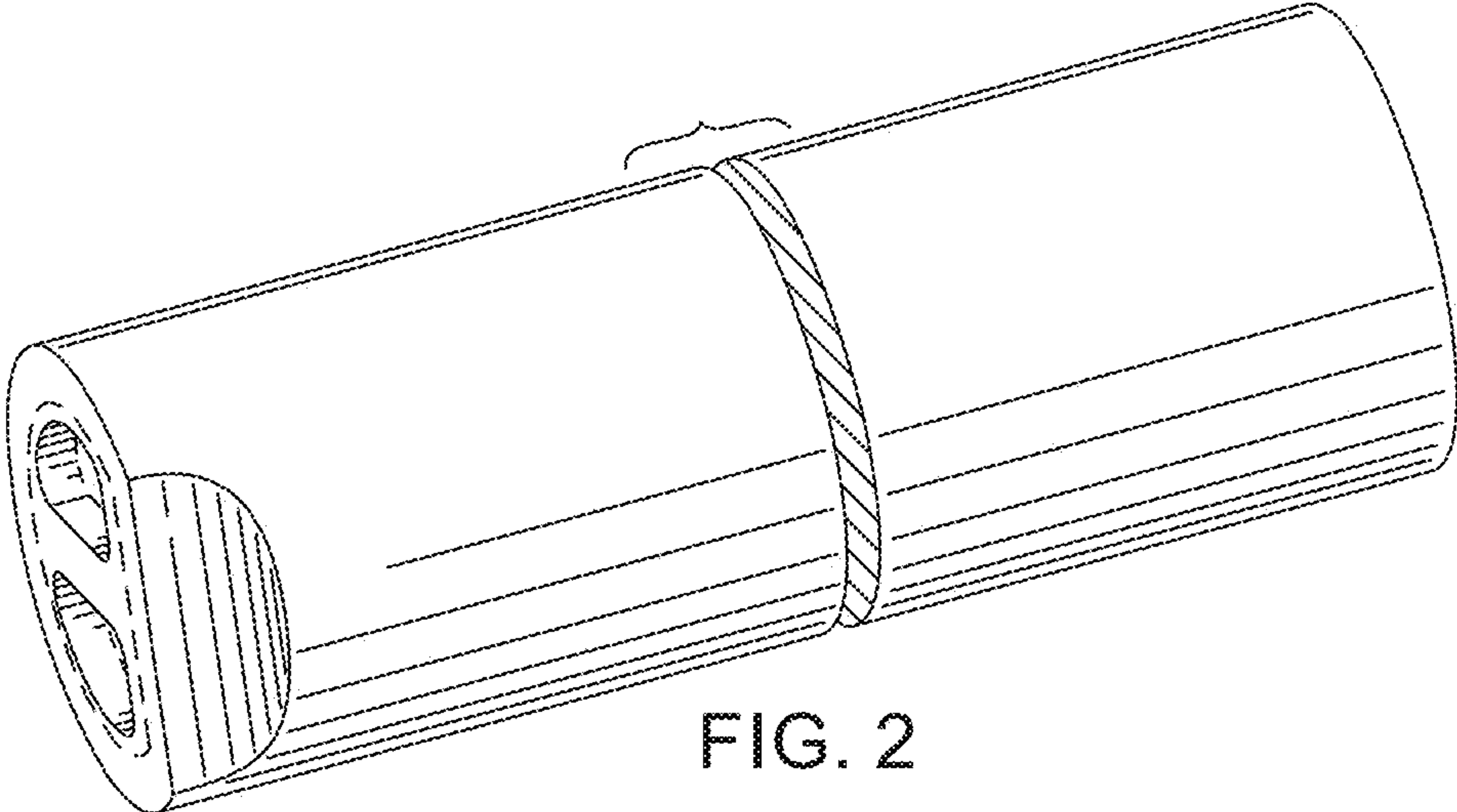


FIG. 2

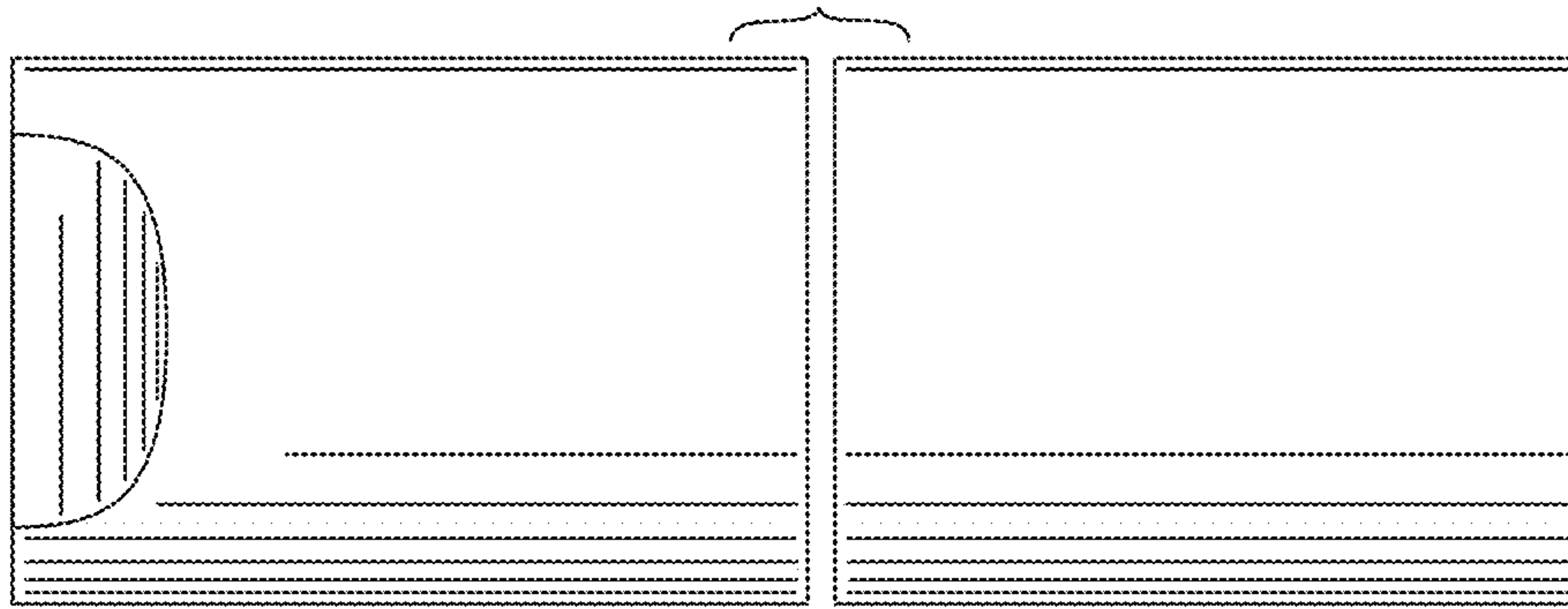


FIG. 3

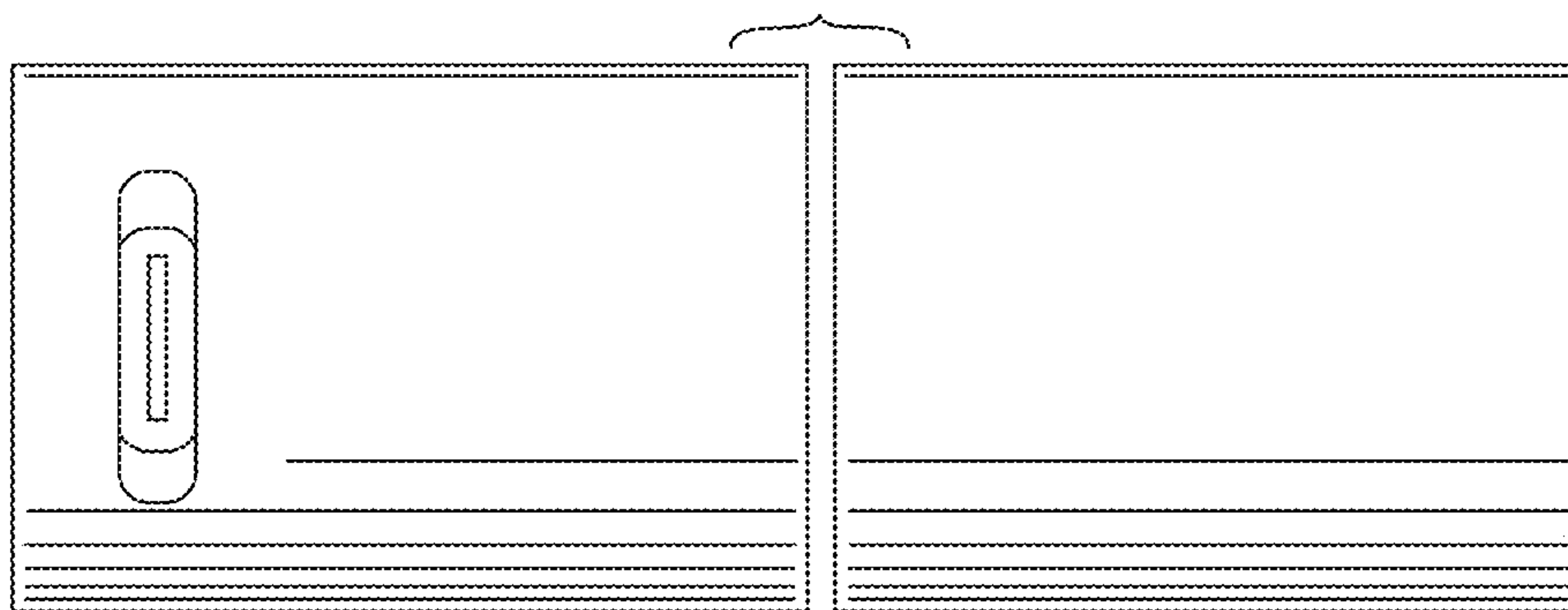


FIG. 4

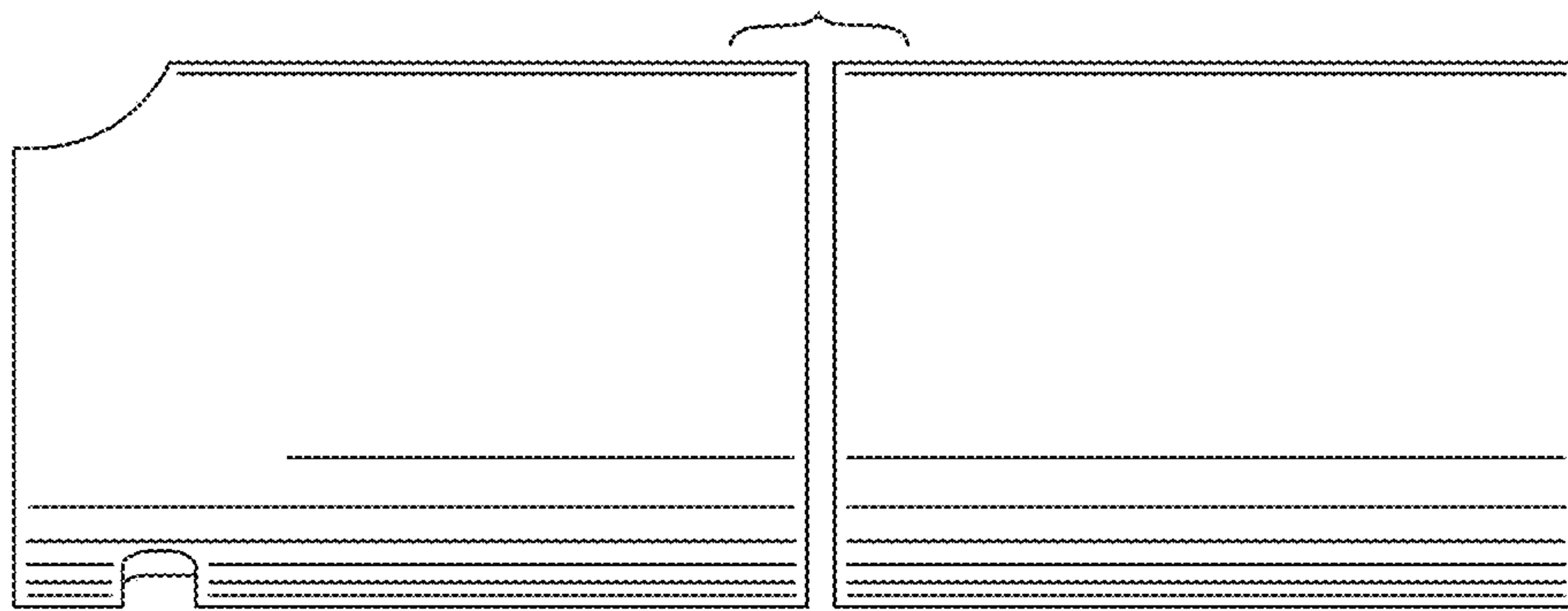


FIG. 5

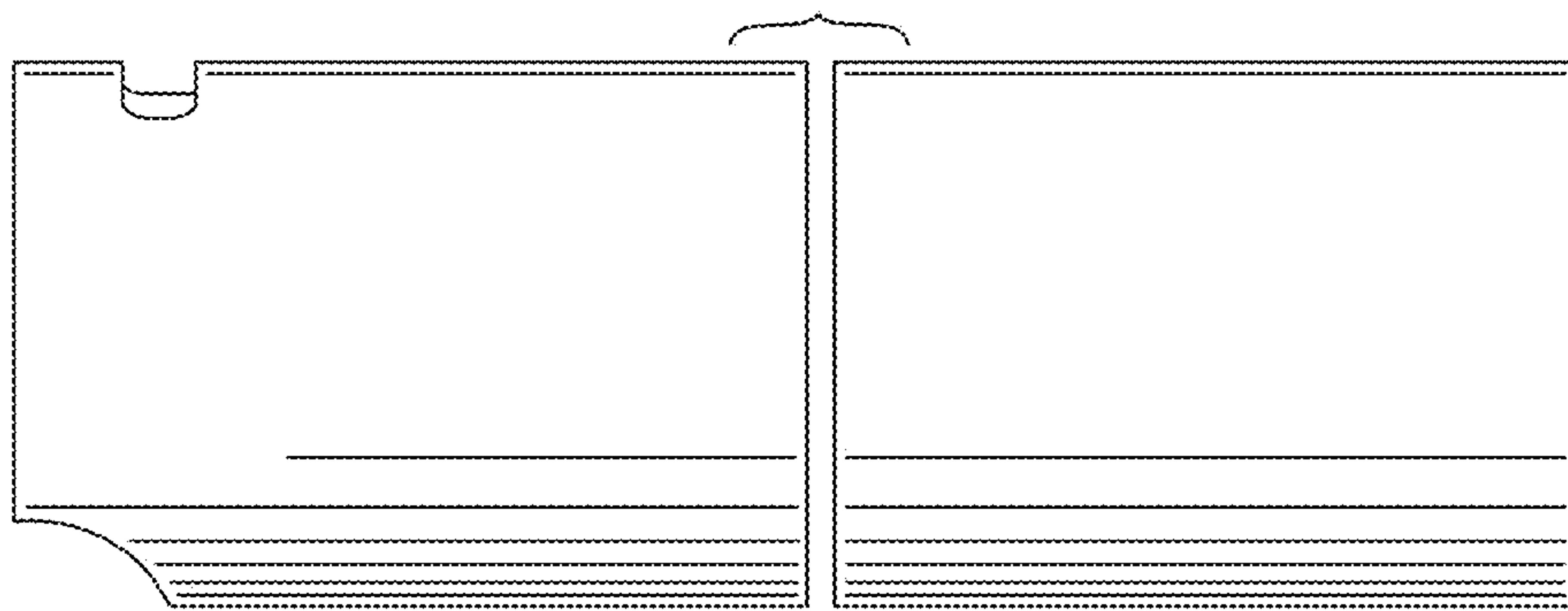


FIG. 6

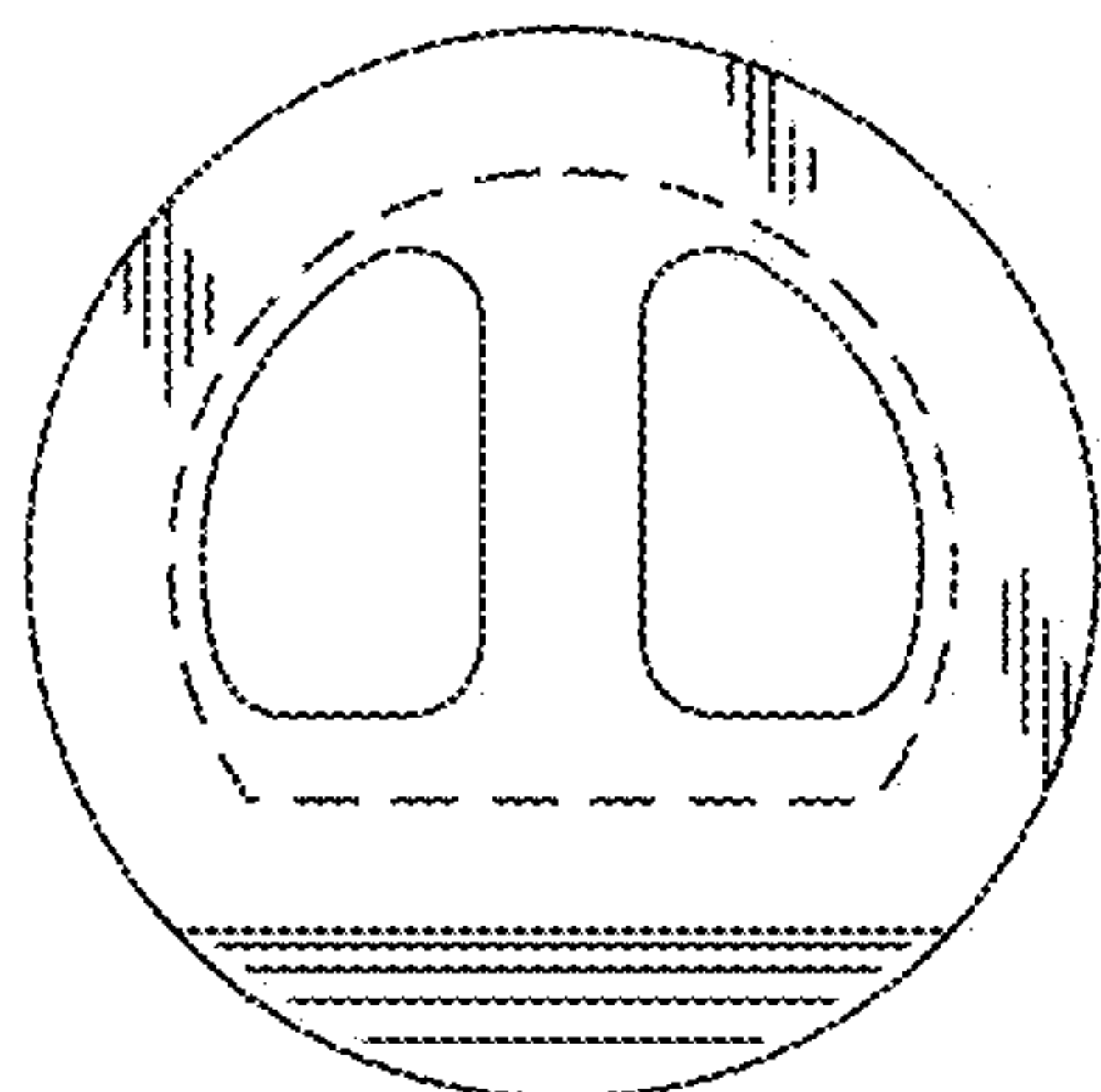


FIG. 7

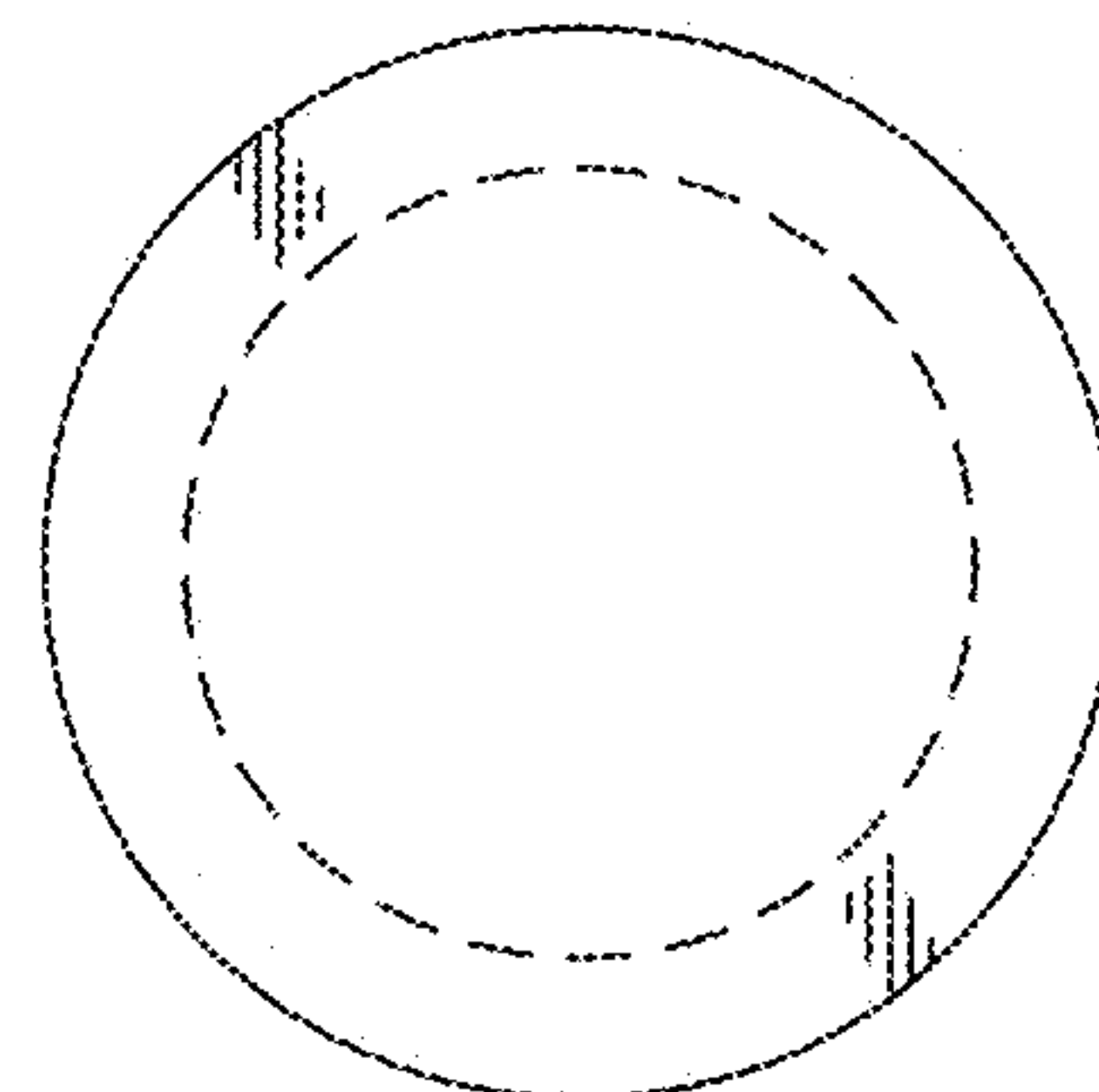


FIG. 8