



US00D949093S

(12) **United States Design Patent** (10) **Patent No.:** **US D949,093 S**
Reches et al. (45) **Date of Patent:** **** Apr. 19, 2022**

(54) **POWDER CARTRIDGE**

- (71) Applicant: **Formlabs, Inc.**, Somerville, MA (US)
- (72) Inventors: **Yoav Reches**, Cambridge, MA (US);
John E. Ouchterlony, Cambridge, MA (US); **Kat Ely**, Somerville, MA (US);
Lawrence Cheung, Cambridge, MA (US)
- (73) Assignee: **Formlabs, Inc.**, Somerville, MA (US)
- (**) Term: **15 Years**
- (21) Appl. No.: **29/739,178**

- (22) Filed: **Jun. 23, 2020**
- (51) **LOC (13) Cl.** **13-02**
- (52) **U.S. Cl.**
USPC **D13/103**
- (58) **Field of Classification Search**
USPC D13/104, 107, 108, 110, 119, 123, 133,
D13/144, 149, 153, 155, 156, 184, 199
CPC H01M 2/02; H01M 2/022; H01M 2/0202;
H01M 2/0207; H01M 2/0212; H01M
2/1061; H01M 2/1022; H01M 2/1055;
H01M 2/1066; H01M 2/105; H01M 2/20;
H01M 2/202; H01M 2/204; H01M 2/206;
H01M 10/46; H01M 10/465; H01M
10/482; H01M 2200/30; H01M 2250/30;
H01M 2250/40; H02J 7/00; H02J 7/0003;
H02J

(Continued)

(56) **References Cited**

U.S. PATENT DOCUMENTS

- D662,881 S * 7/2012 He D13/116
- D703,609 S * 4/2014 Koenig D13/110
- D710,301 S * 8/2014 Ferro D13/116

(Continued)

OTHER PUBLICATIONS

Generators. (Design—© Questel) orbit.com. [Online PDF compilation of references] 50 pgs. Print Dates Range Jun. 22, 2021-Nov. 16, 2020 [Retrieved Jul. 22, 2021].*

(Continued)

Primary Examiner — Manpreet S Matharu
Assistant Examiner — Suzanne E Tisdell
(74) *Attorney, Agent, or Firm* — Wolf, Greenfield & Sacks, P.C.

(57) **CLAIM**

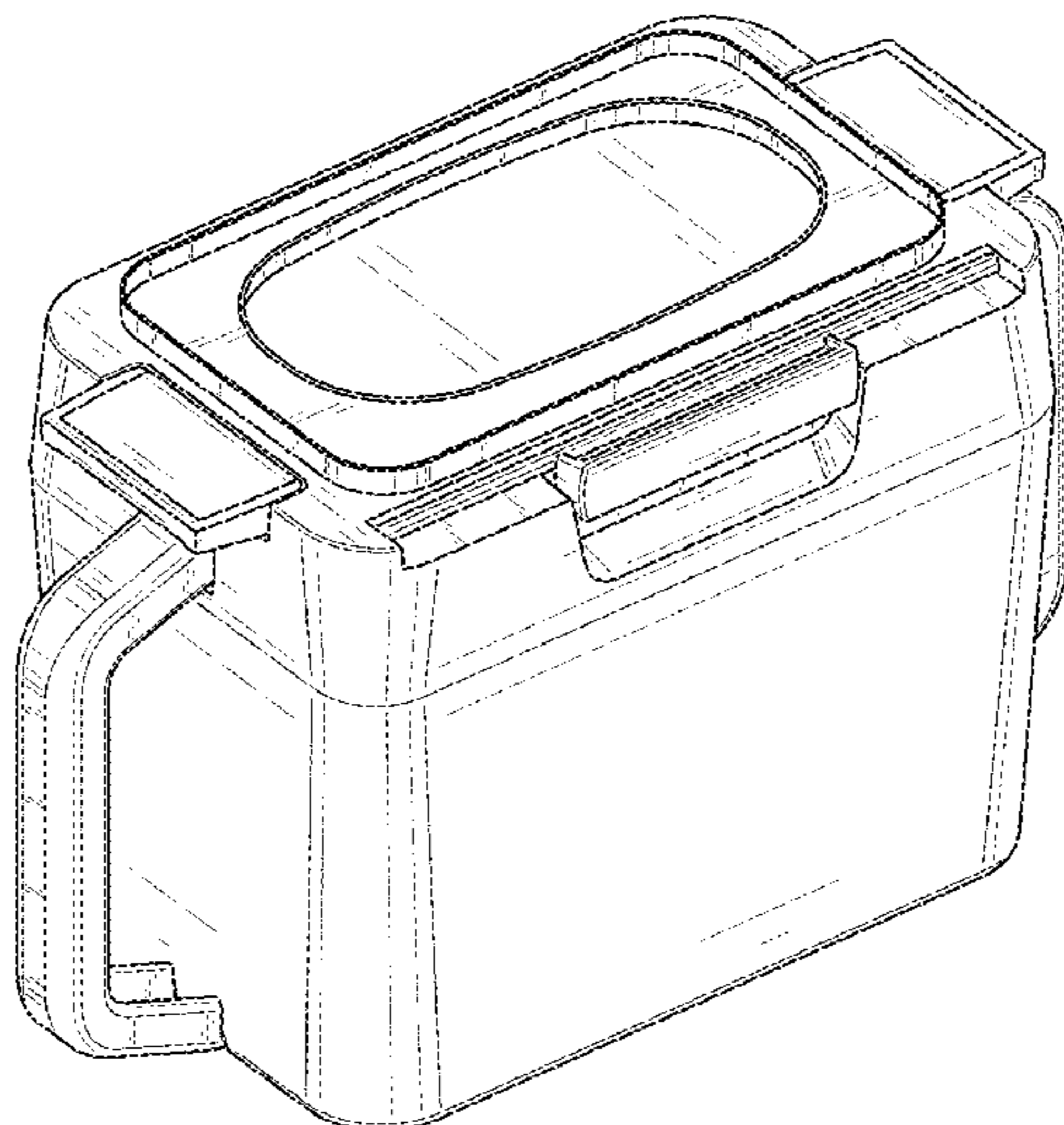
The ornamental design for a powder cartridge, as shown and described.

DESCRIPTION

FIG. 1 is a top, front, left side perspective view of a first embodiment of the powder cartridge according to our new design;
 FIG. 2 is a bottom, front, right side perspective view thereof;
 FIG. 3 is a front elevation view thereof;
 FIG. 4 is a rear elevation view thereof;
 FIG. 5 is a left side elevation view thereof;
 FIG. 6 is a right side elevation view thereof;
 FIG. 7 is a top plan view thereof;
 FIG. 8 is a bottom plan view thereof;
 FIG. 9 is a top, front, left side perspective view of a second embodiment of the powder cartridge;
 FIG. 10 is a bottom, front, right side perspective view thereof;
 FIG. 11 is a front elevation view thereof;
 FIG. 12 is a rear elevation view thereof;
 FIG. 13 is a left side elevation view thereof;
 FIG. 14 is a right side elevation view thereof;
 FIG. 15 is a top plan view thereof; and,
 FIG. 16 is a bottom plan view thereof.

The dash-dash broken lines illustrate portions of the powder cartridge that form no part of the claimed design. The dot-dash broken lines represent boundaries of the claimed design and form no part of the claimed design.

1 Claim, 16 Drawing Sheets



(58) **Field of Classification Search**

CPC 7/0011; H02J 7/0013; H02J 7/0054; H02J
7/0055; H02J 7/0057; H02J 7/0062

See application file for complete search history.

(56) **References Cited**

U.S. PATENT DOCUMENTS

D711,319	S	*	8/2014	Wilcox	D13/116
D712,834	S	*	9/2014	Munro	D13/116
D775,734	S	*	1/2017	Hrenchir	D24/170
D790,466	S	*	6/2017	Lin	D13/112
D806,029	S	*	12/2017	Lin	D13/112
D856,930	S	*	8/2019	Huang	D13/116
D871,337	S	*	12/2019	Nagasawa	D13/116
D885,343	S	*	5/2020	Yin	D13/116
D887,982	S	*	6/2020	Schmidt	D13/122
D911,935	S	*	3/2021	Alexander	D13/107

OTHER PUBLICATIONS

“Portable Camping Generator 330W.” Aug. 21, 2019. Amazon.
<https://www.amazon.com/Portable-Generator-78000mAh-with110V-Emergency/dp/B07VL7XYY6>.*

“PROGENY Portable Power Sattion 300W.” Mar. 26, 2018. Amazon.
https://www.amazon.com/dp/B08F7XNWW4/ref=sspa_dk_detail_2?psc=1&pd_rd_i=B08F7XNWW4&pd_rd_w=rn8lg&pf_rd_p=9fd3ea7c-b77c-42ac-b43b-c872d3f37c38&pd_rd_wg=AnAdE&pf_rd_r=YSAP16AYV5G0F9Q5CED0&pd_.*

“ZOOMBROS 300W Power Sattion.” Jul. 17, 2019. Amazon.
https://www.amazon.com/ZOOMBROS-Portable-Station-Generator-Wireless/dp/B086XCBJQH/ref=pd_di_sccai_12/141-4877602-3041268?pd_rd_w=96k7g&pf_rd_p=c9443270-b914-4430-a90b-72e3e7e784eO&pf_rd_r=1BTB22YRT3JPZABT6PP0&pd_.*

* cited by examiner

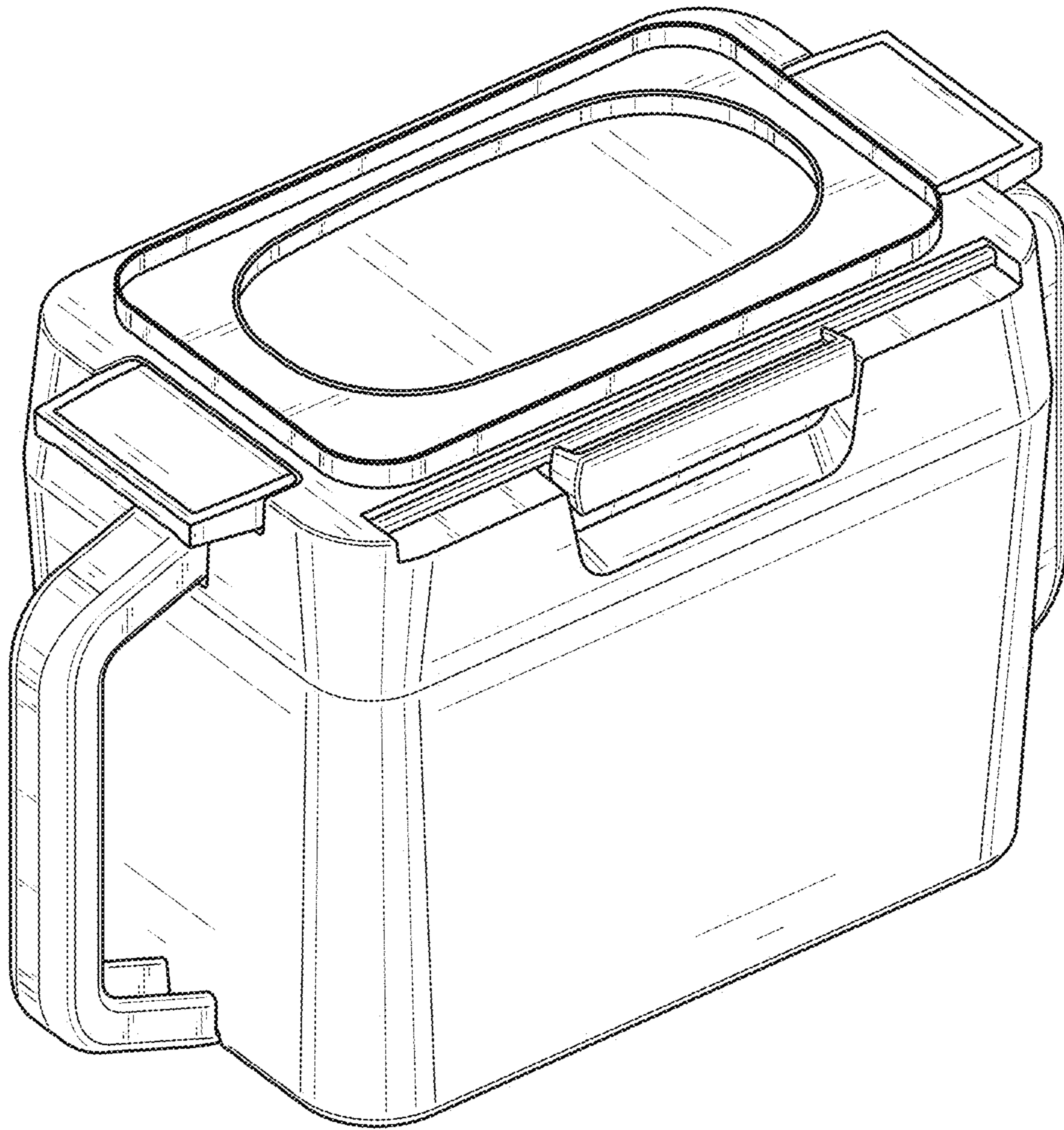


FIG. 1

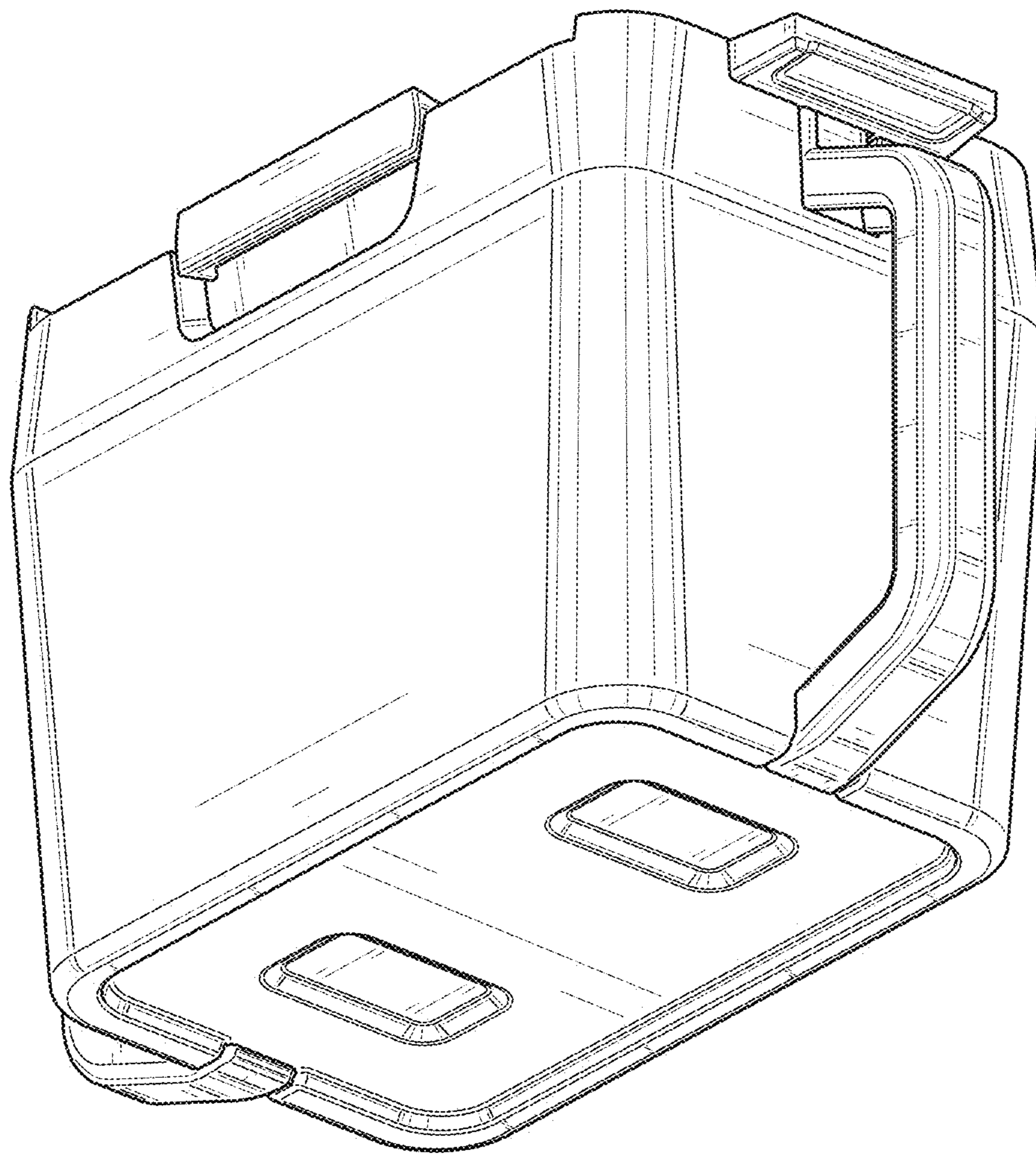


FIG. 2

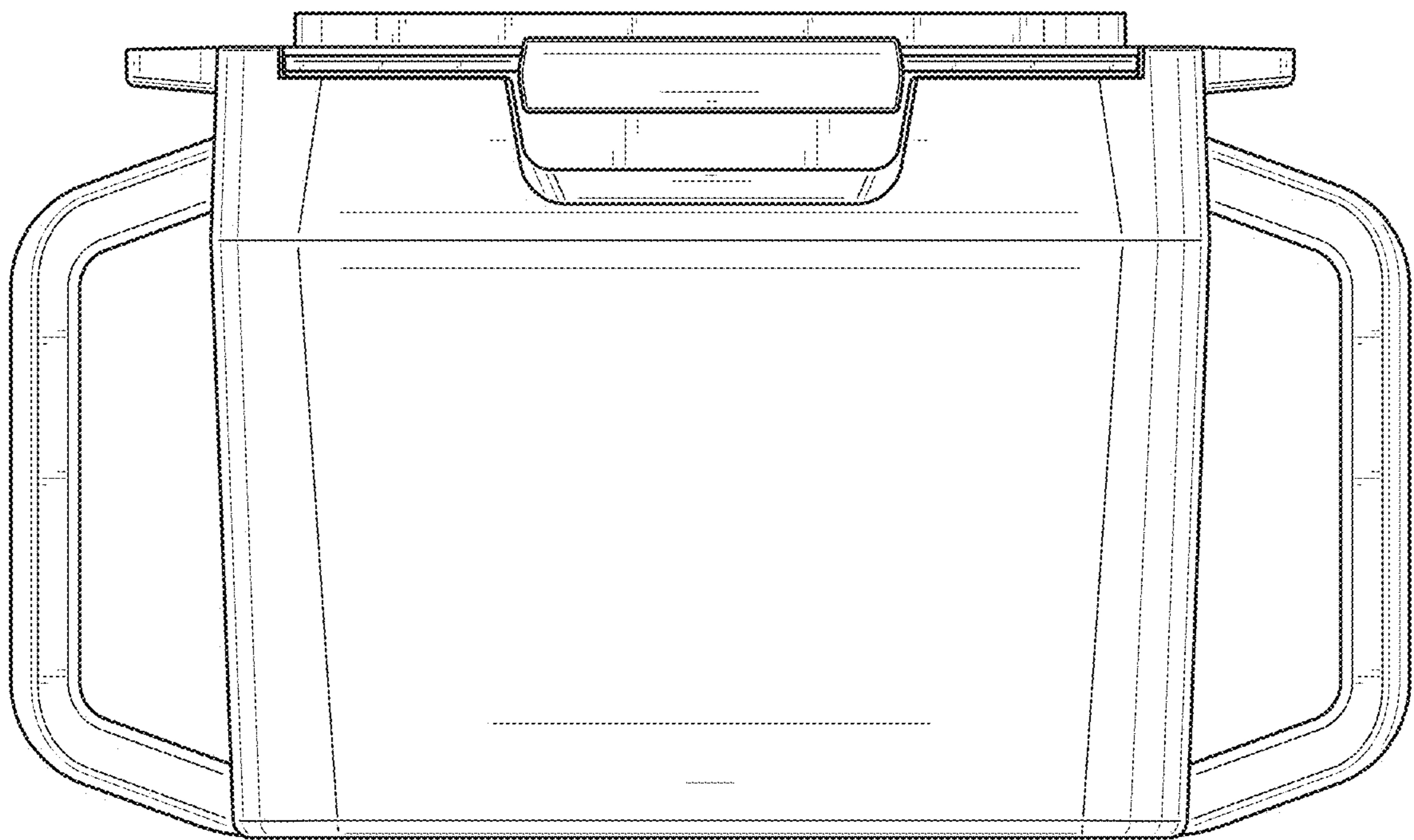


FIG. 3

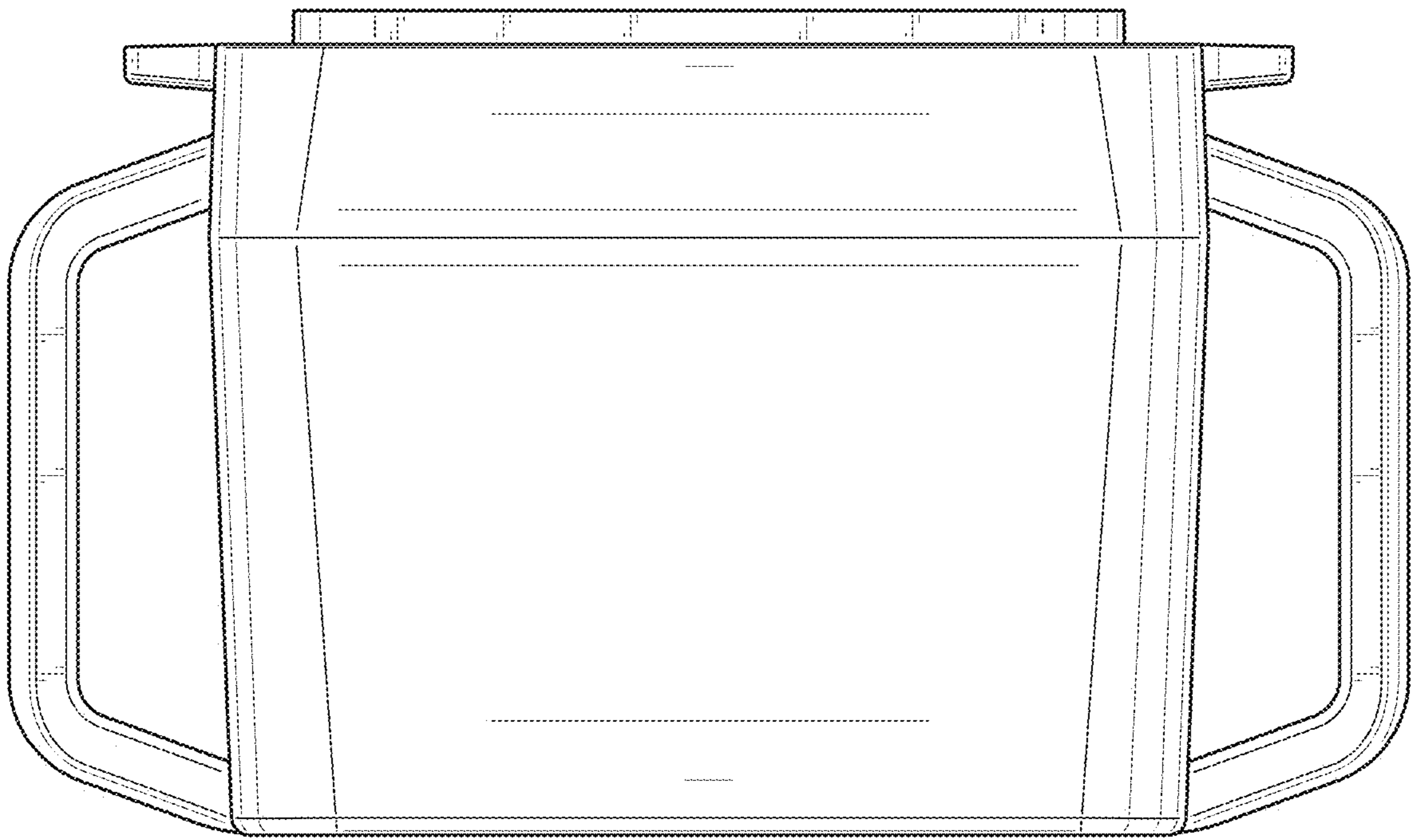


FIG. 4

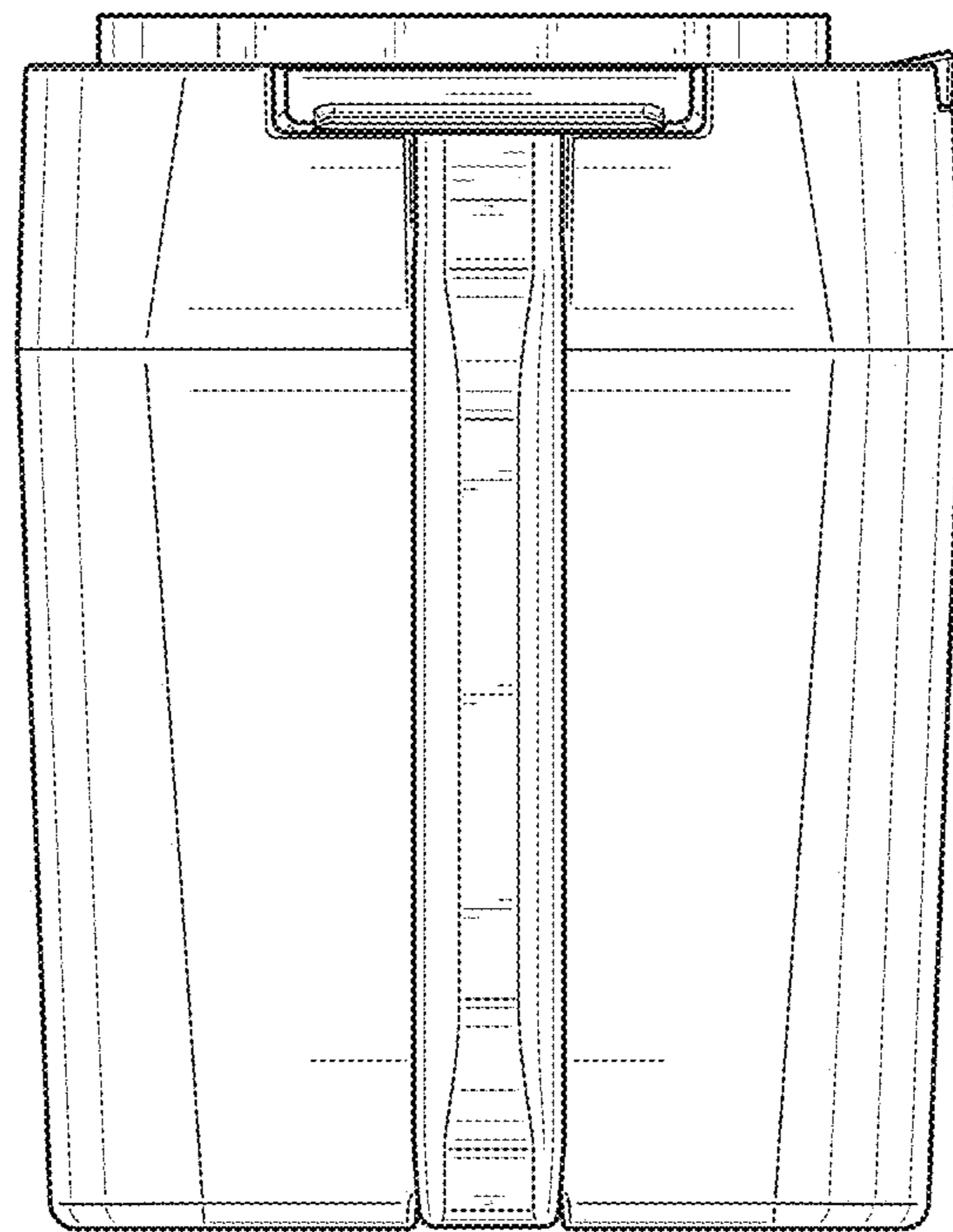


FIG. 5

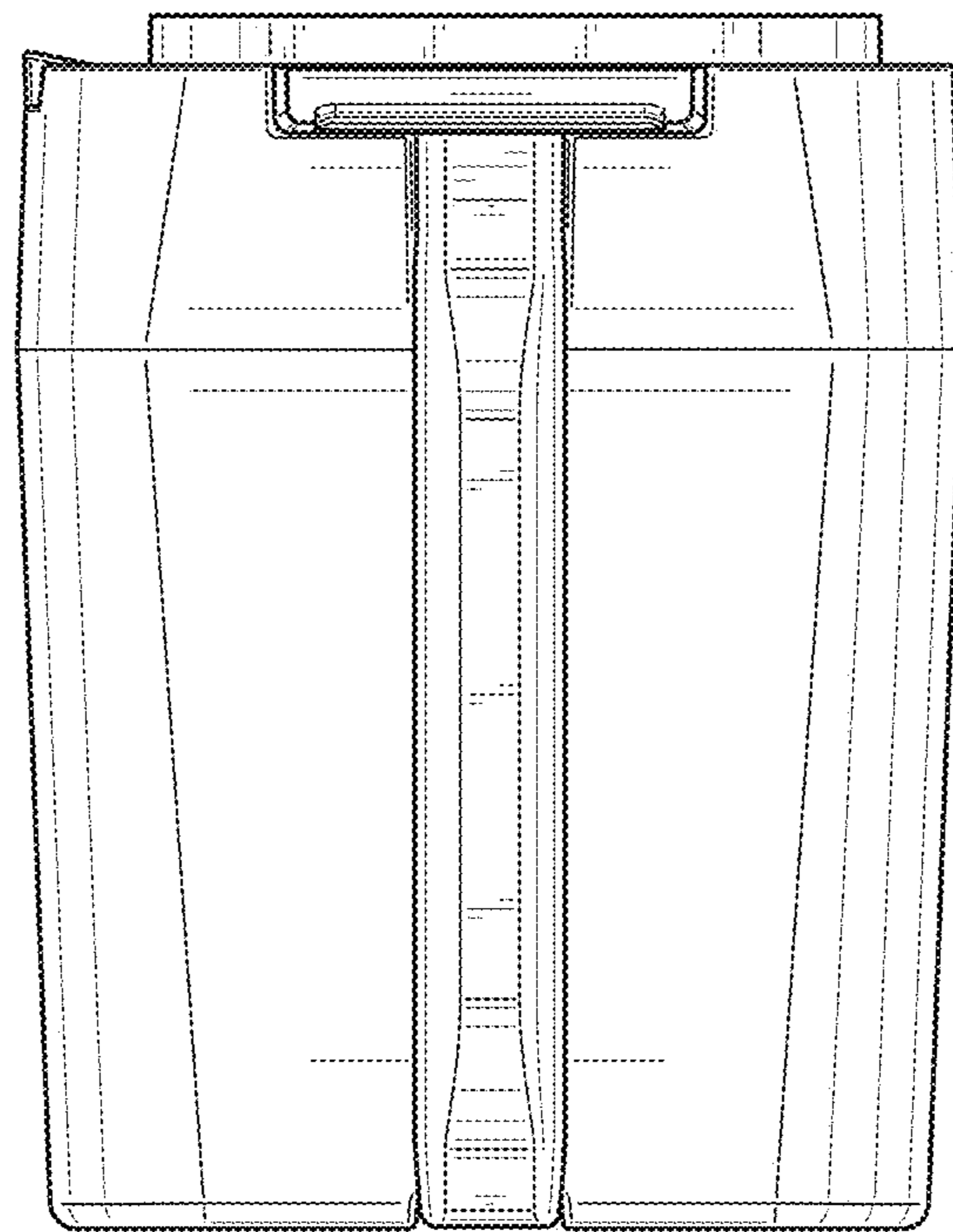


FIG. 6

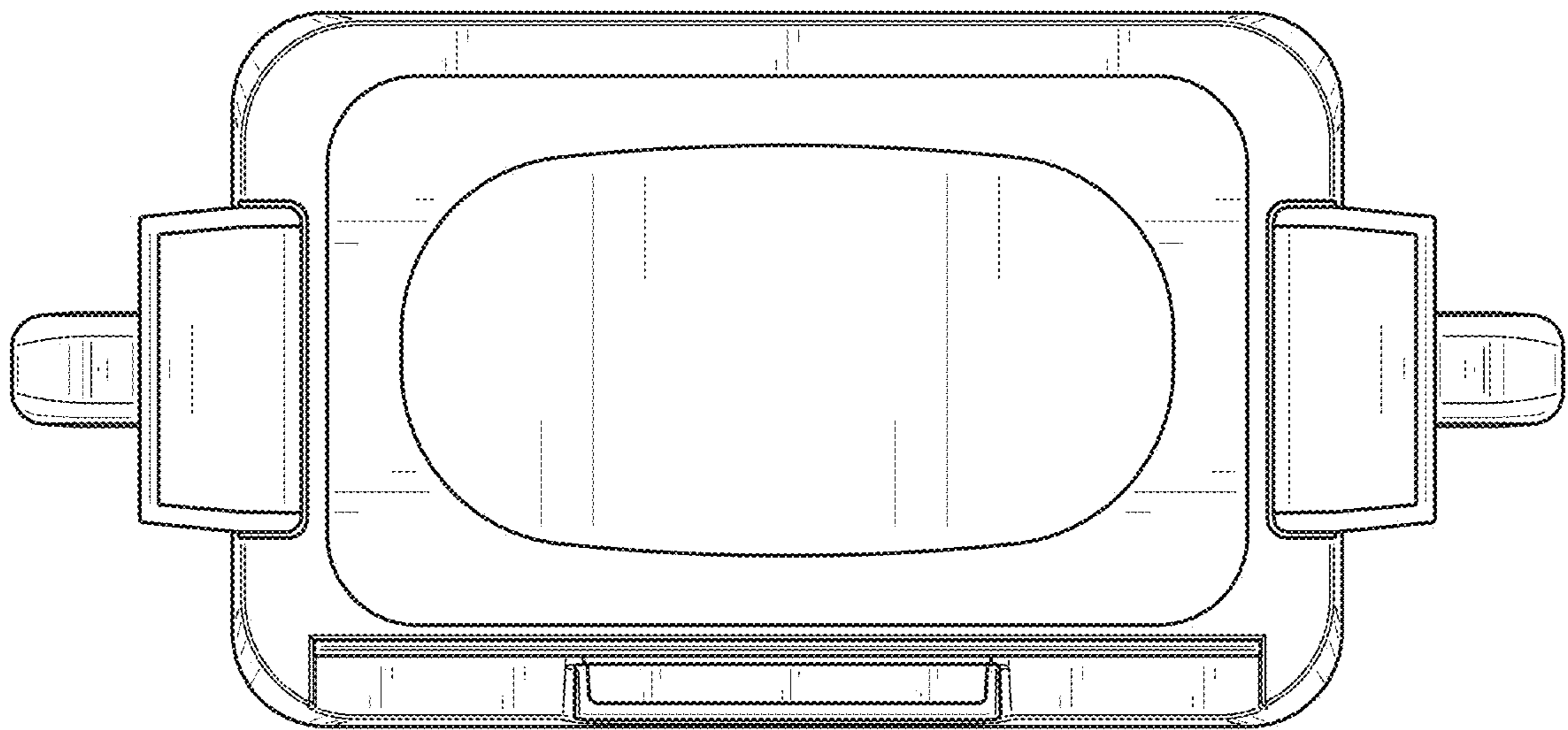


FIG. 7

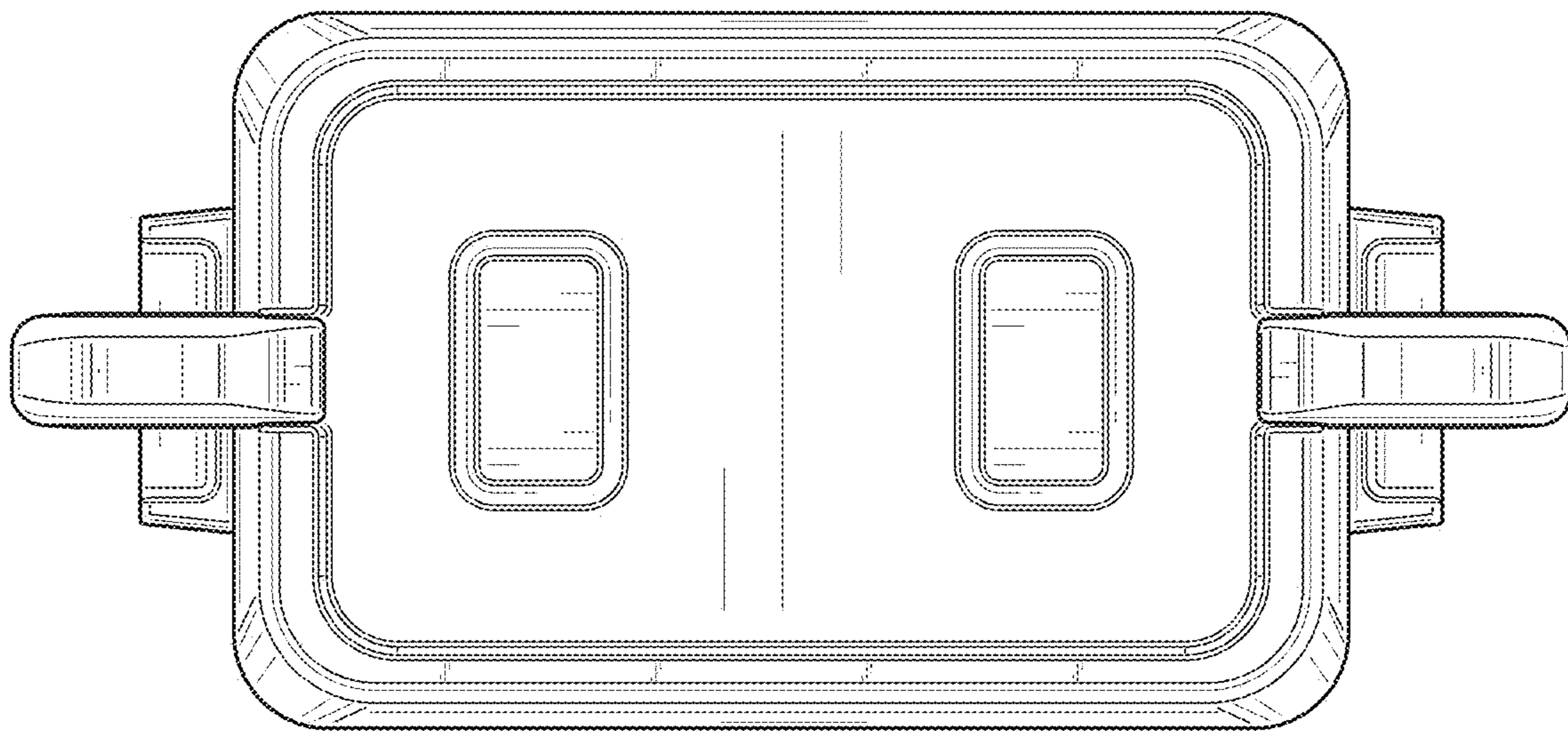


FIG. 8

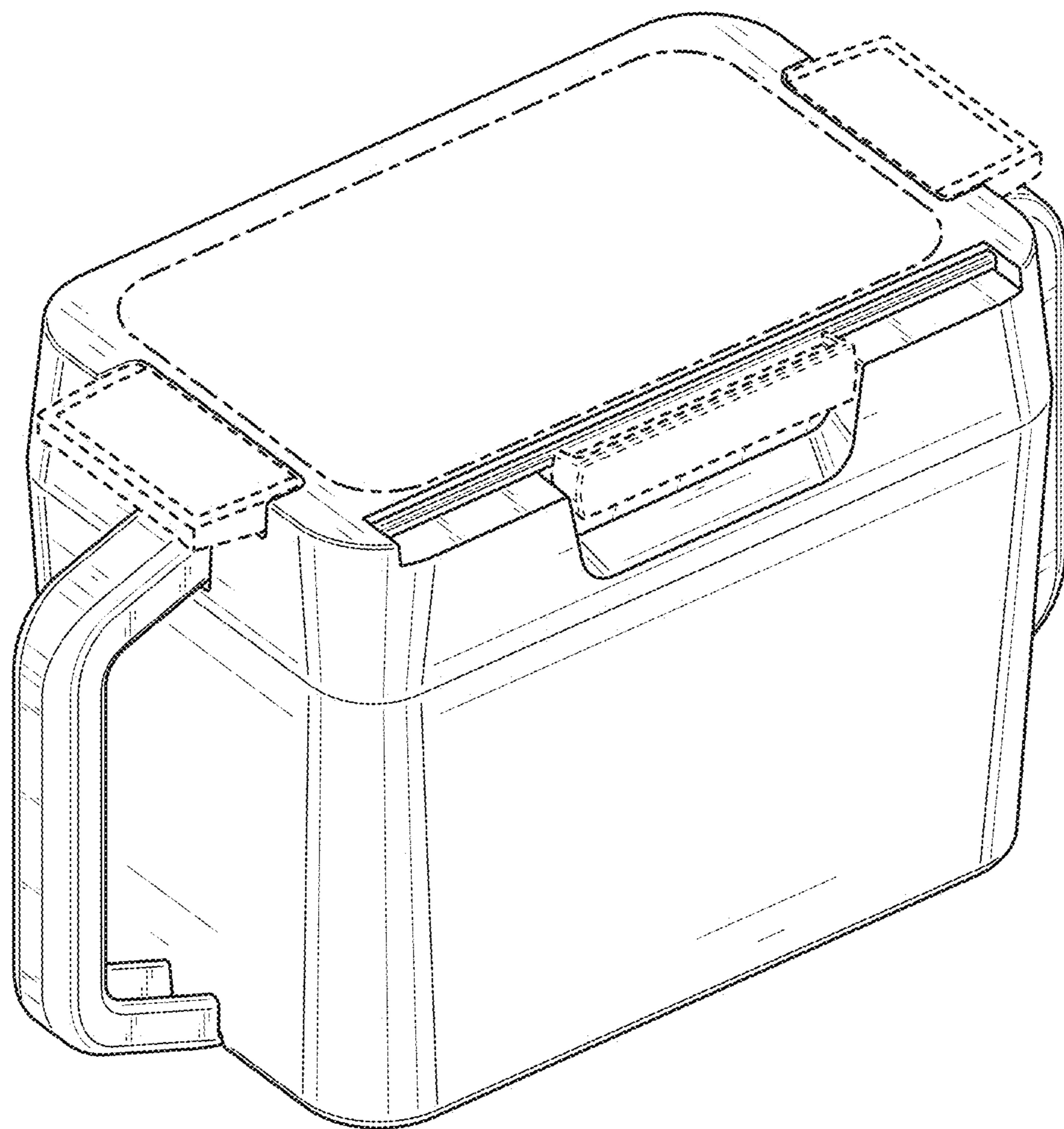


FIG. 9

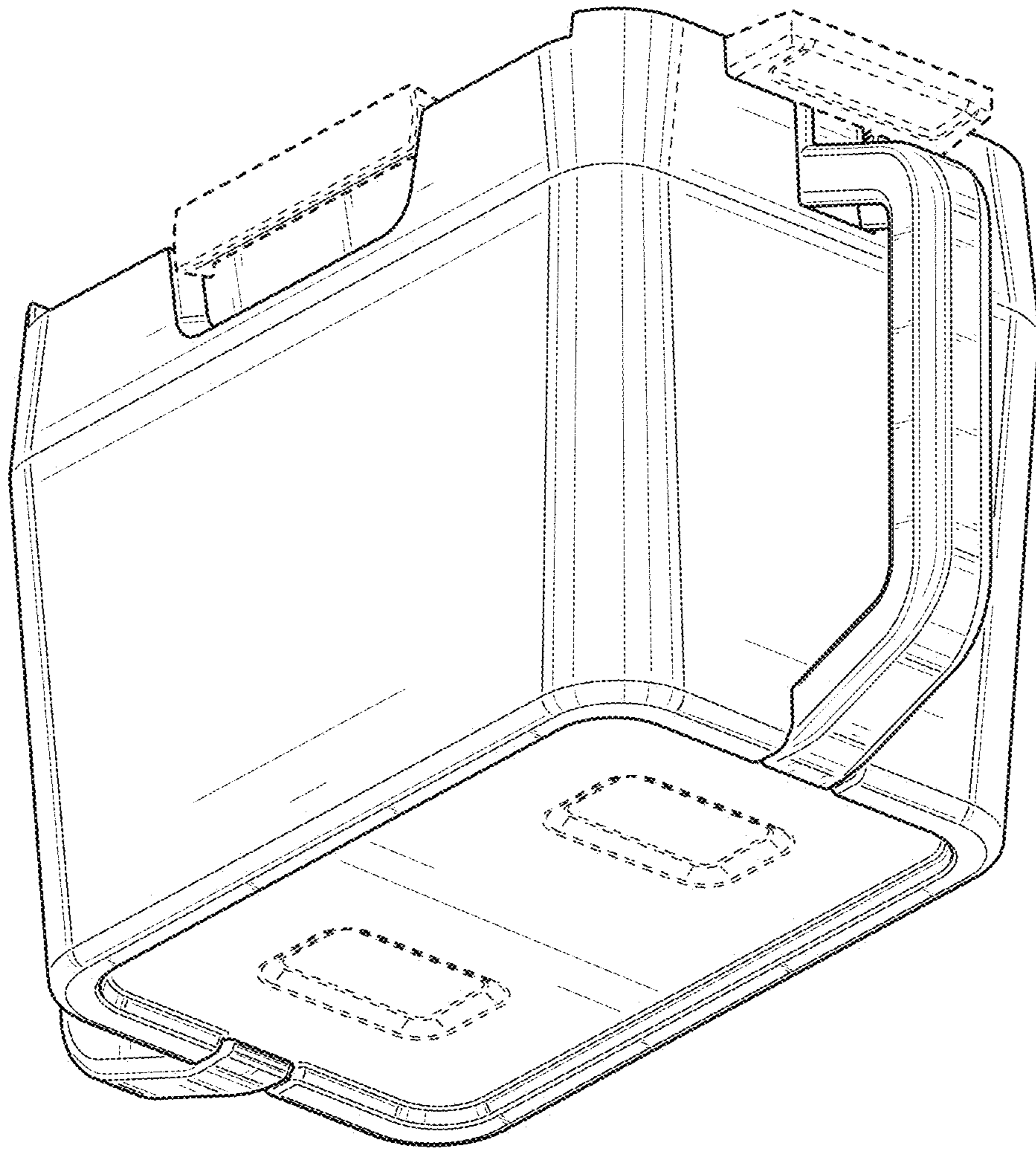


FIG. 10

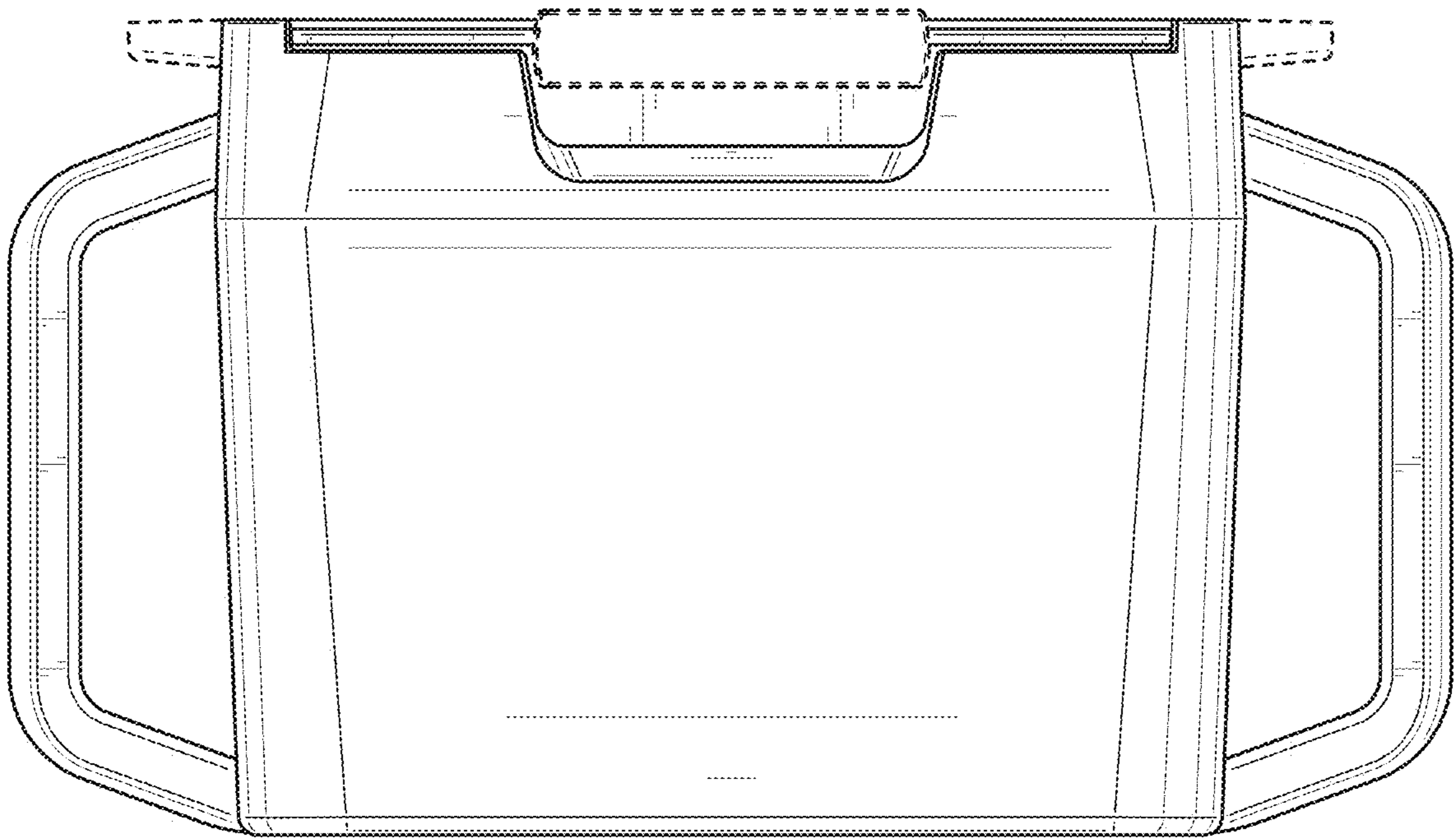


FIG. 11

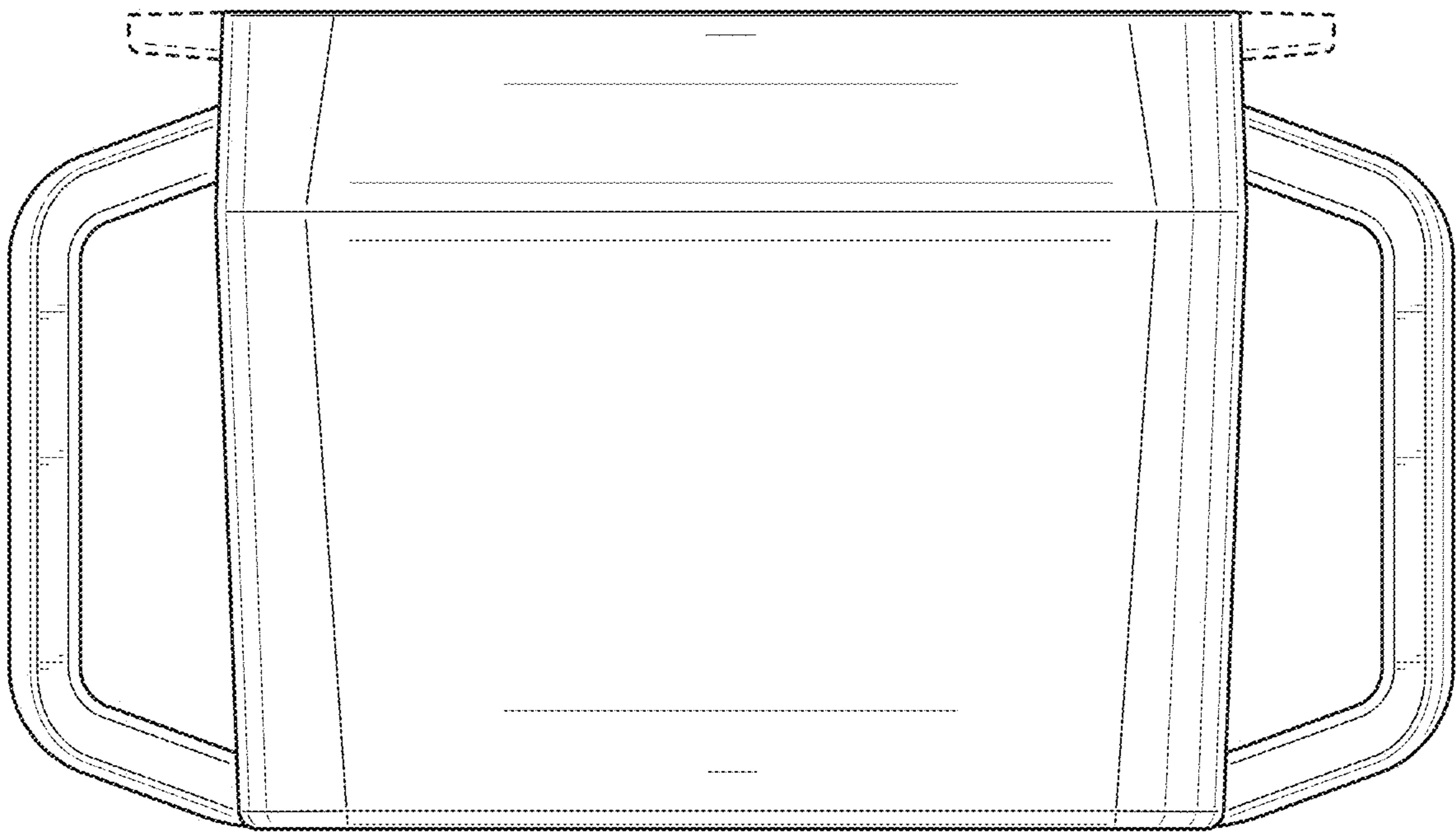


FIG. 12

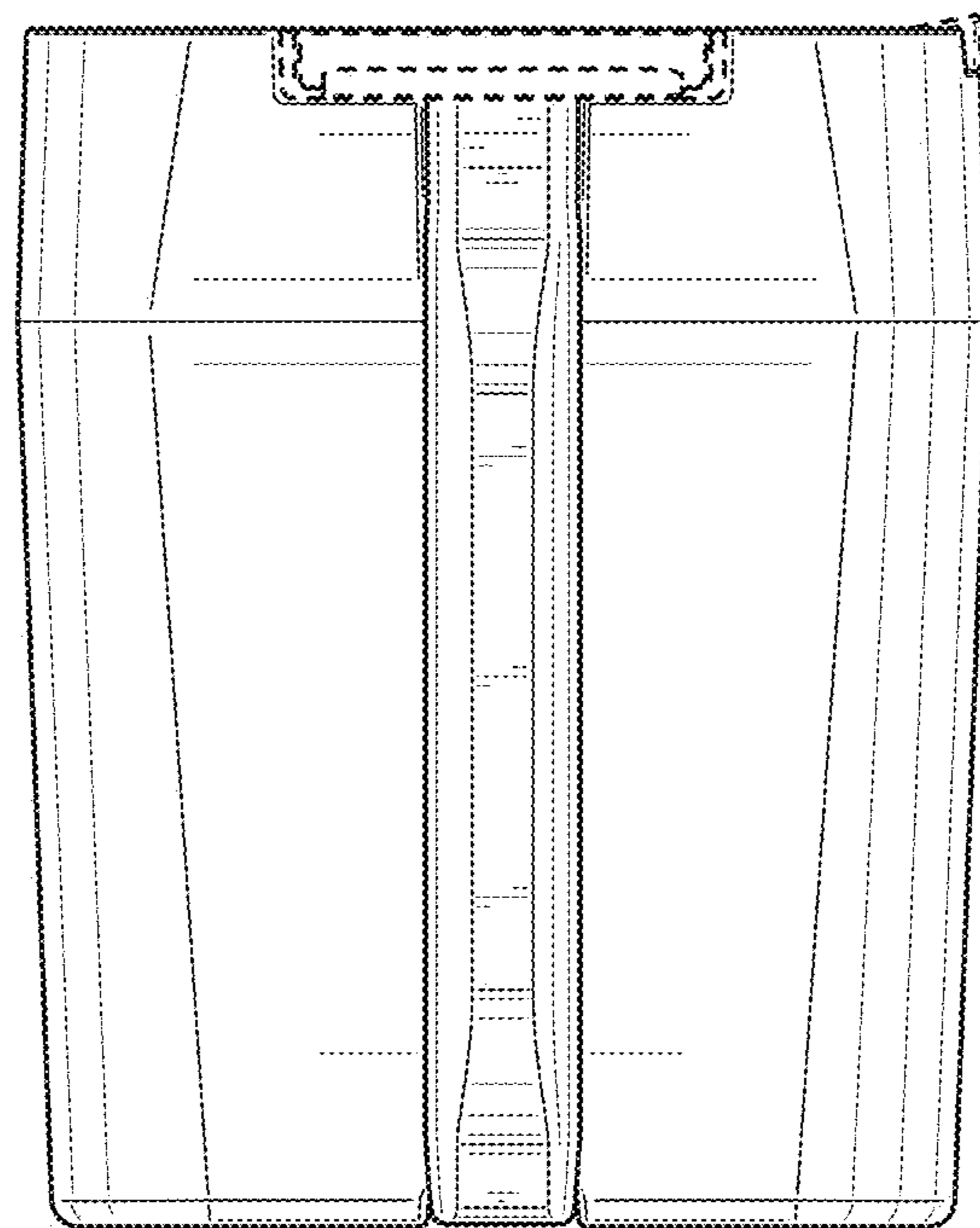


FIG. 13

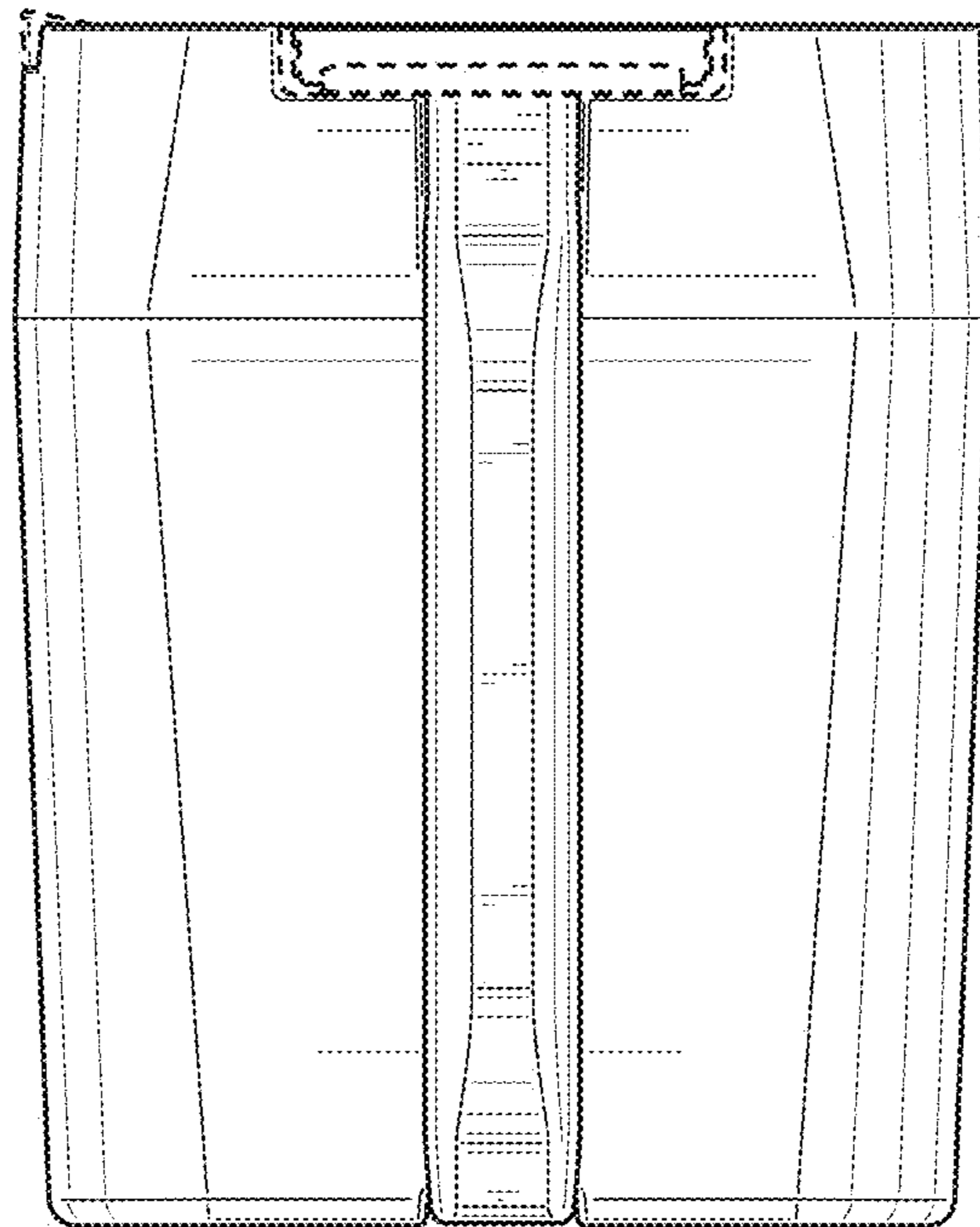


FIG. 14

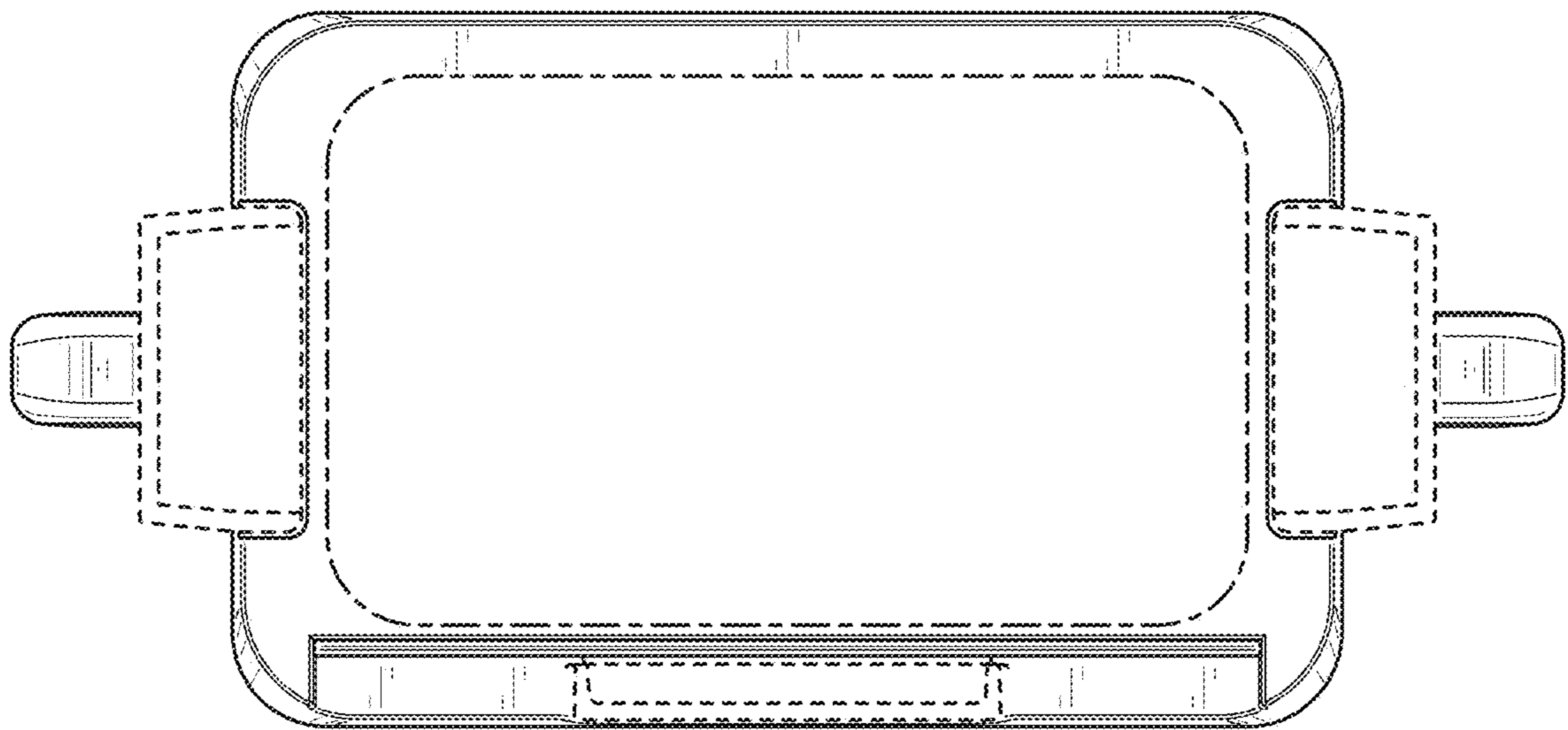


FIG. 15

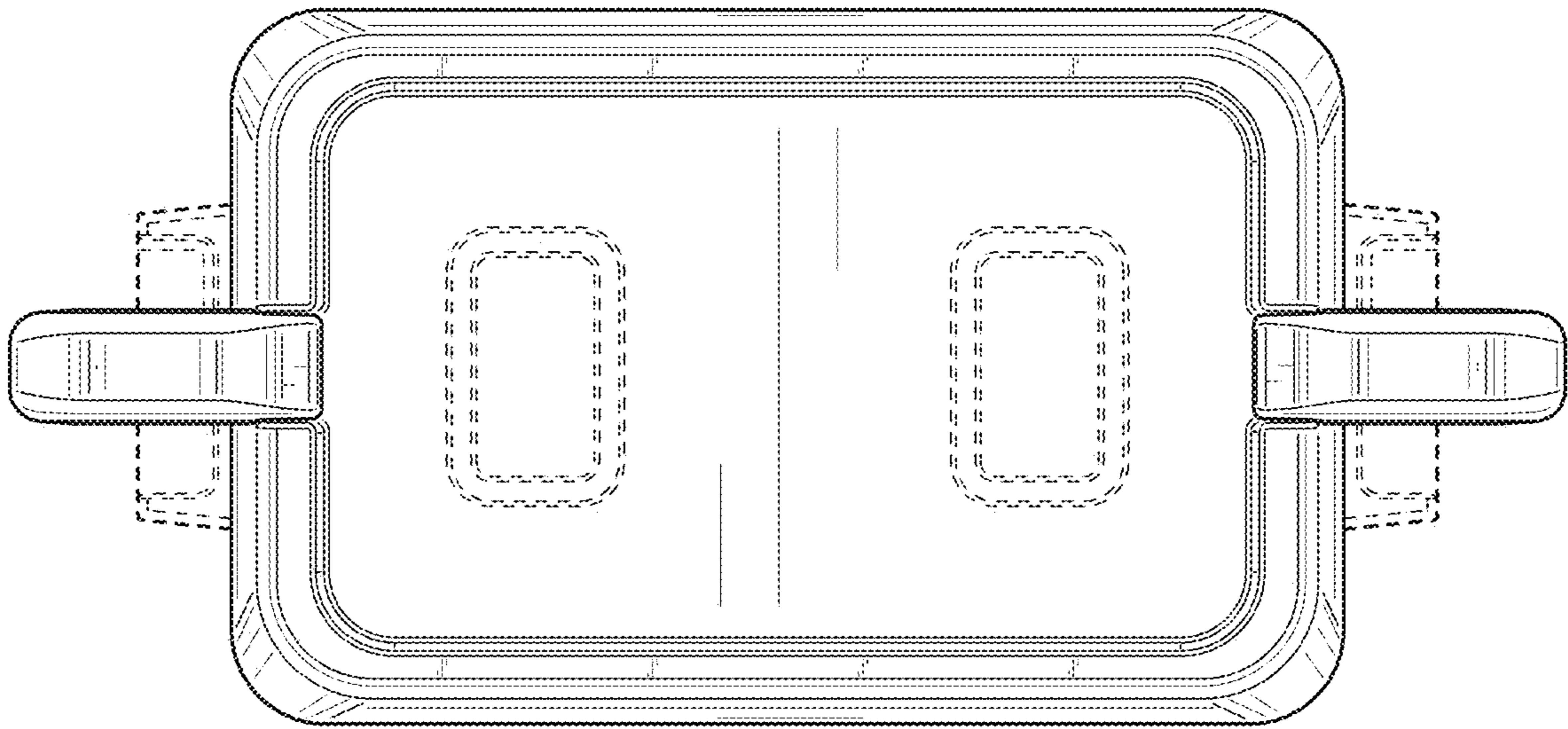


FIG. 16