



US00D949090S

(12) **United States Design Patent** (10) **Patent No.:** **US D949,090 S**
Wang (45) **Date of Patent:** **** Apr. 19, 2022**

(54) **SOLAR LIGHT**
(71) Applicant: **Liming Wang, Ji'An (CN)**
(72) Inventor: **Liming Wang, Ji'An (CN)**
(**) Term: **15 Years**
(21) Appl. No.: **29/777,703**
(22) Filed: **Apr. 8, 2021**
(51) **LOC (13) Cl.** **13-02**
(52) **U.S. Cl.**
USPC **D13/102**
(58) **Field of Classification Search**
USPC D13/102, 101, 103, 107, 108, 184, 199;
D26/63, 67, 68, 71, 72
CPC H01L 31/00; H01L 31/18; H01L 31/042;
H01L 31/045; H01L 31/048; H01L
31/052; H01L 31/054; H01L 31/0475;
H01L 31/0485; H01M 10/052; H01M
10/465; H02S 30/10; H02S 30/20; H02S
10/40; H02S 40/42; Y02E 10/50; Y02E
10/52; Y10S 136/291; Y10S 136/293;
H02J 7/355; G06F 1/1628; F21S 8/006
See application file for complete search history.

(56) **References Cited**
U.S. PATENT DOCUMENTS
D214,945 S * 8/1969 Vesely D26/68
D311,722 S * 10/1990 Cheng D13/102
D505,113 S * 5/2005 Lam D13/107

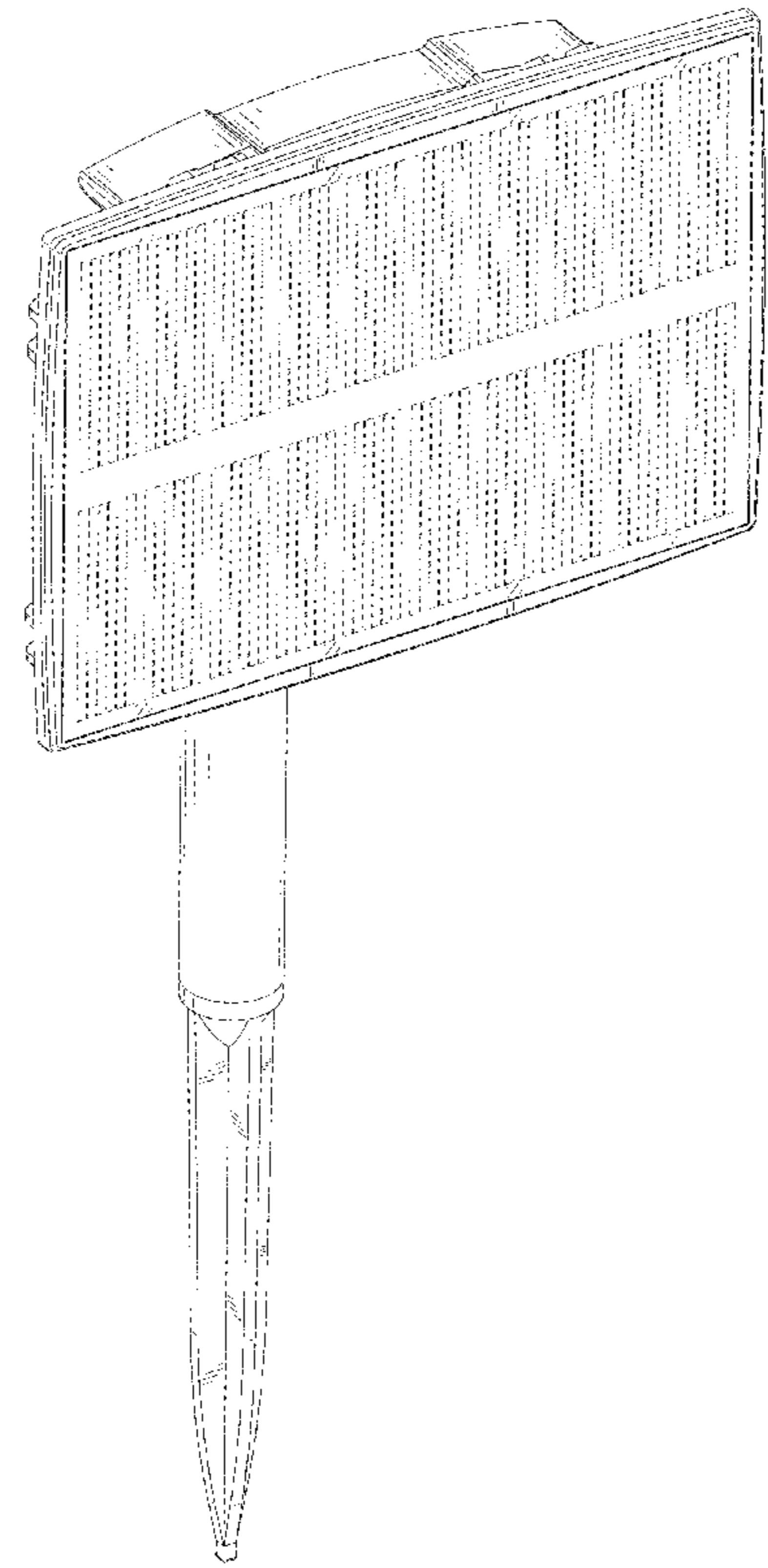
D543,500 S * 5/2007 Parness D13/102
D618,166 S * 6/2010 Sanoner D13/102
D748,573 S * 2/2016 Becker D13/102
D841,213 S 2/2019 Zhuo
D850,701 S 6/2019 Zhuo
D870,341 S * 12/2019 Benghozi D26/63
D875,984 S 2/2020 Xiao
D884,246 S 5/2020 Tang et al.
D887,521 S * 6/2020 He D22/120
D898,972 S * 10/2020 Pei D13/102
D902,145 S * 11/2020 Yang D13/102

* cited by examiner
Primary Examiner — Derrick E Holland

(57) **CLAIM**
The ornamental design for a solar light, as shown and described.

DESCRIPTION
FIG. 1 is a perspective view of a solar light showing my new design;
FIG. 2 is another perspective view thereof;
FIG. 3 is a front elevational view thereof;
FIG. 4 is a rear elevational view thereof;
FIG. 5 is a left side elevational view thereof;
FIG. 6 is a right side elevational view thereof;
FIG. 7 is a top plan view thereof;
FIG. 8 is a bottom plan view thereof; and,
FIG. 9 is a perspective view of the solar light where the solar light is in a configuration of use.
The broken lines in the drawings depict portions of the solar light that form no part of the claimed design.

1 Claim, 9 Drawing Sheets



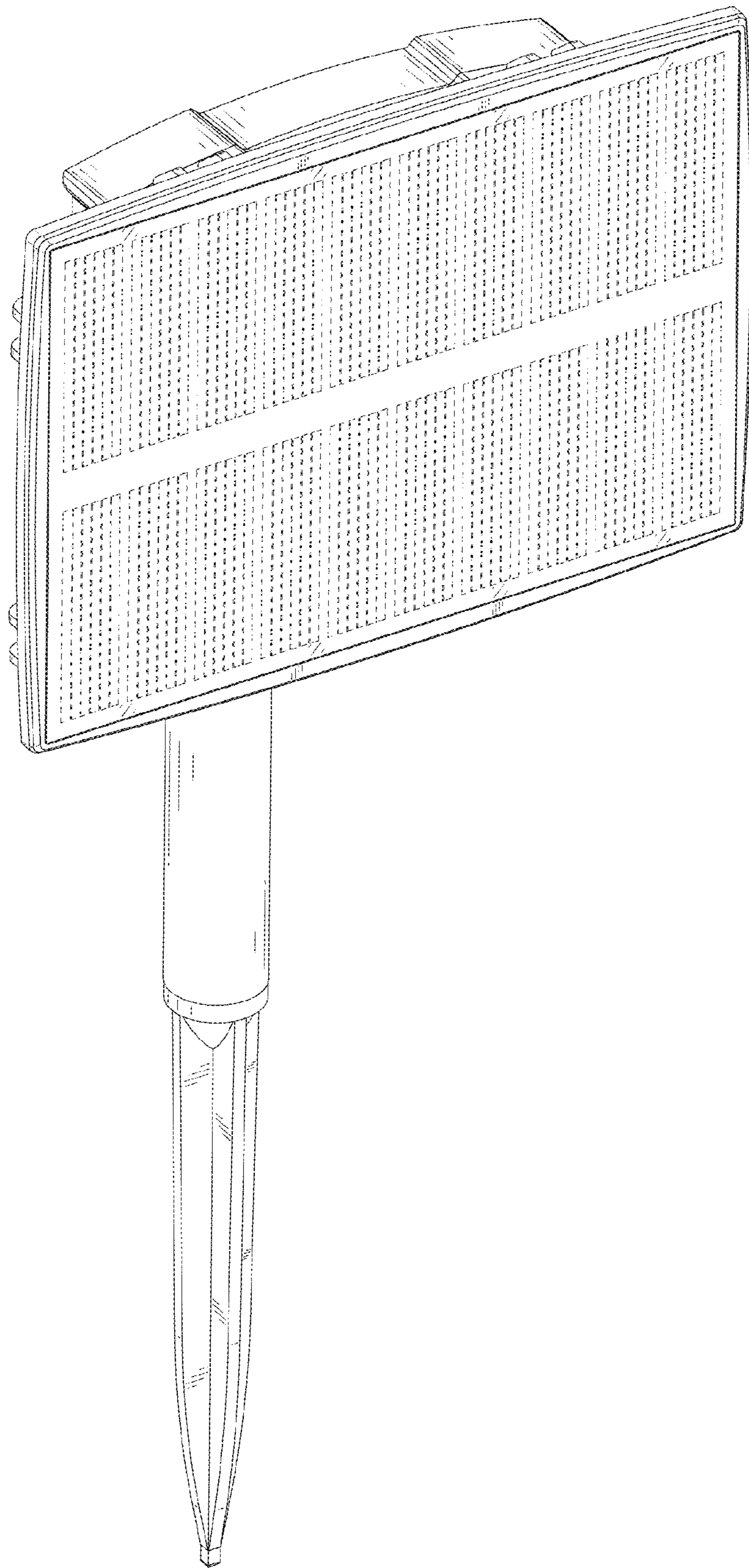


FIG. 1

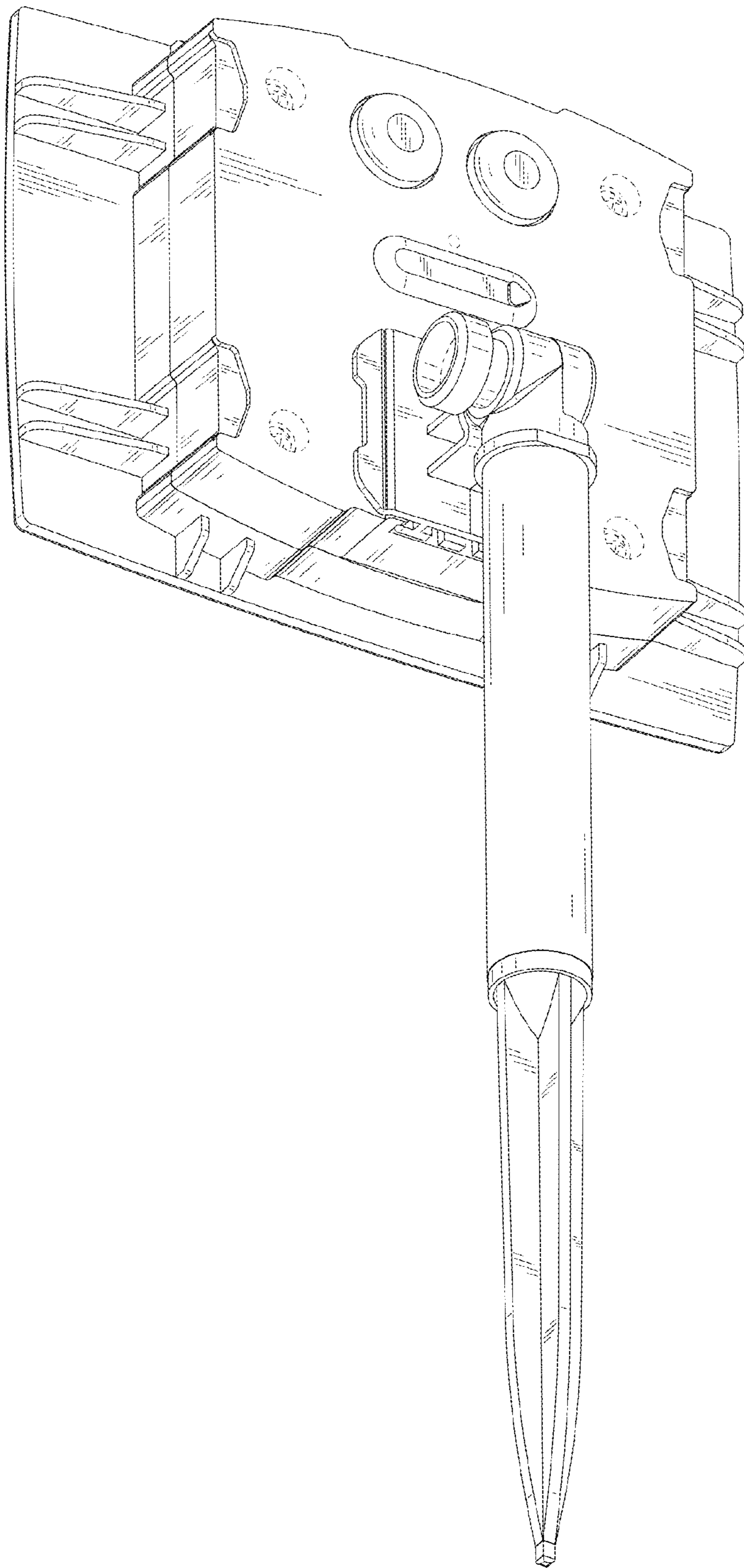


FIG. 2

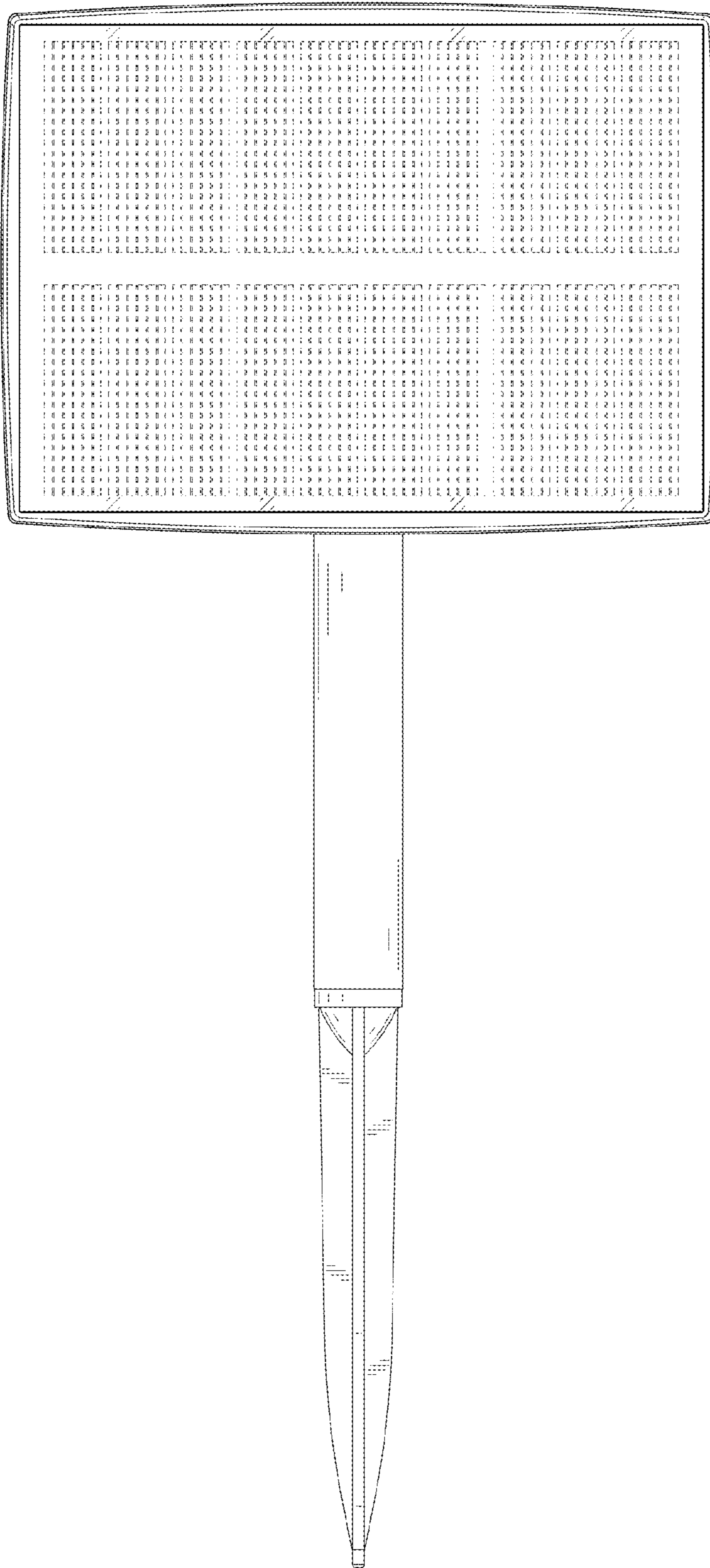


FIG. 3

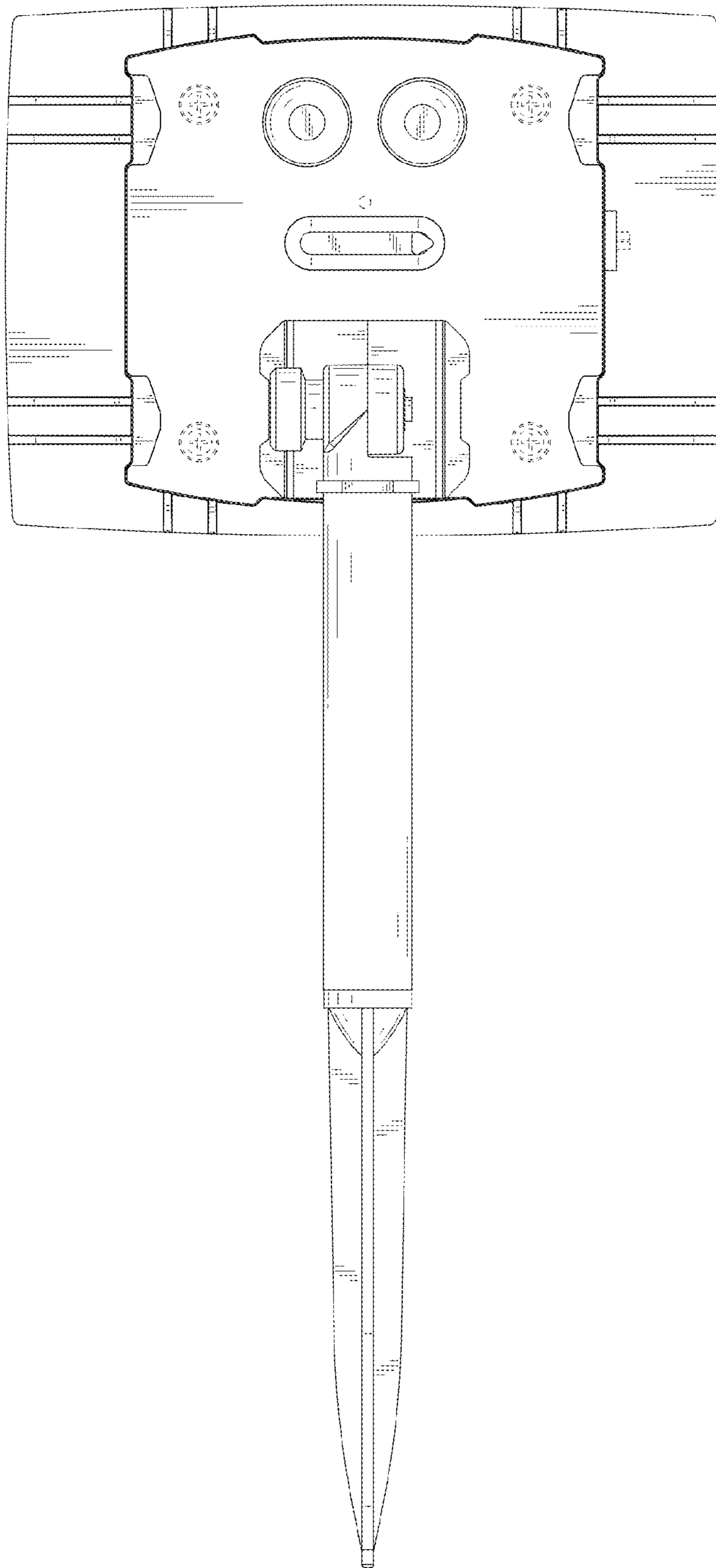


FIG. 4

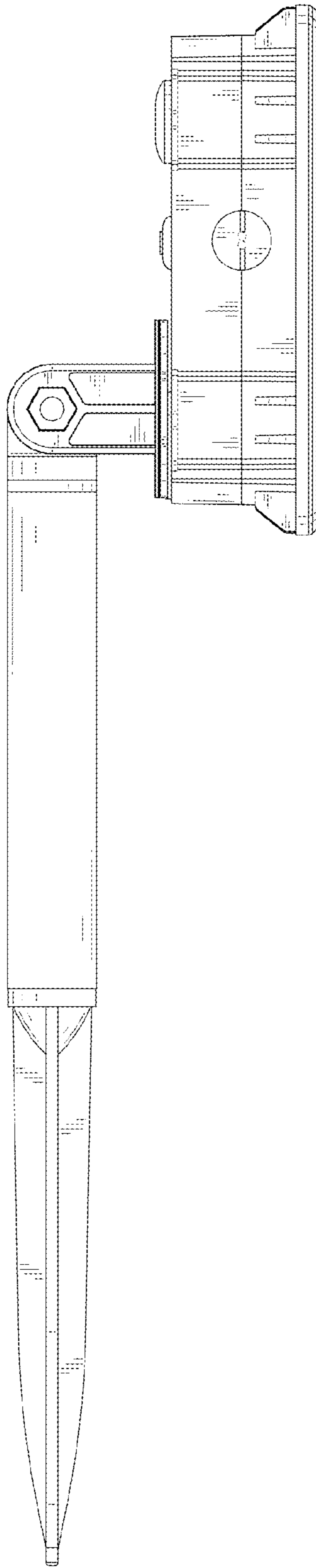


FIG. 5

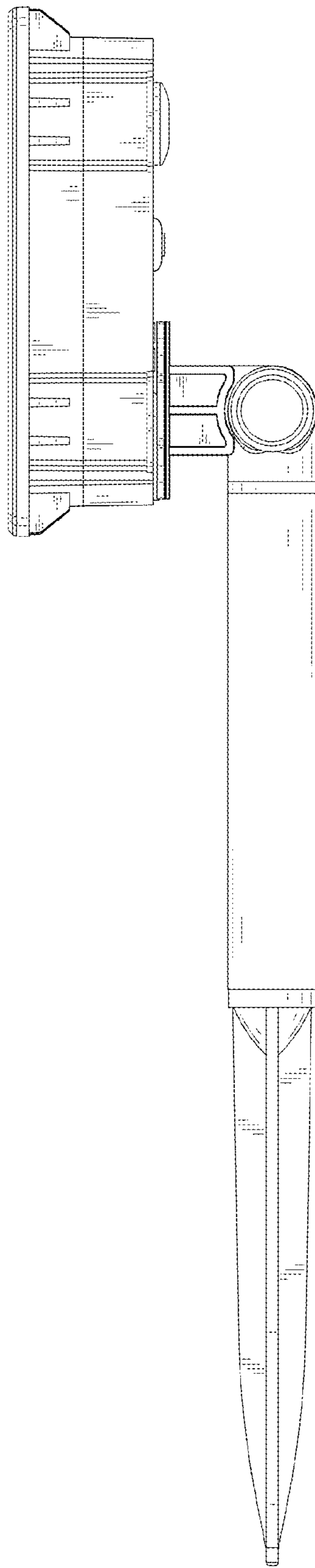


FIG. 6

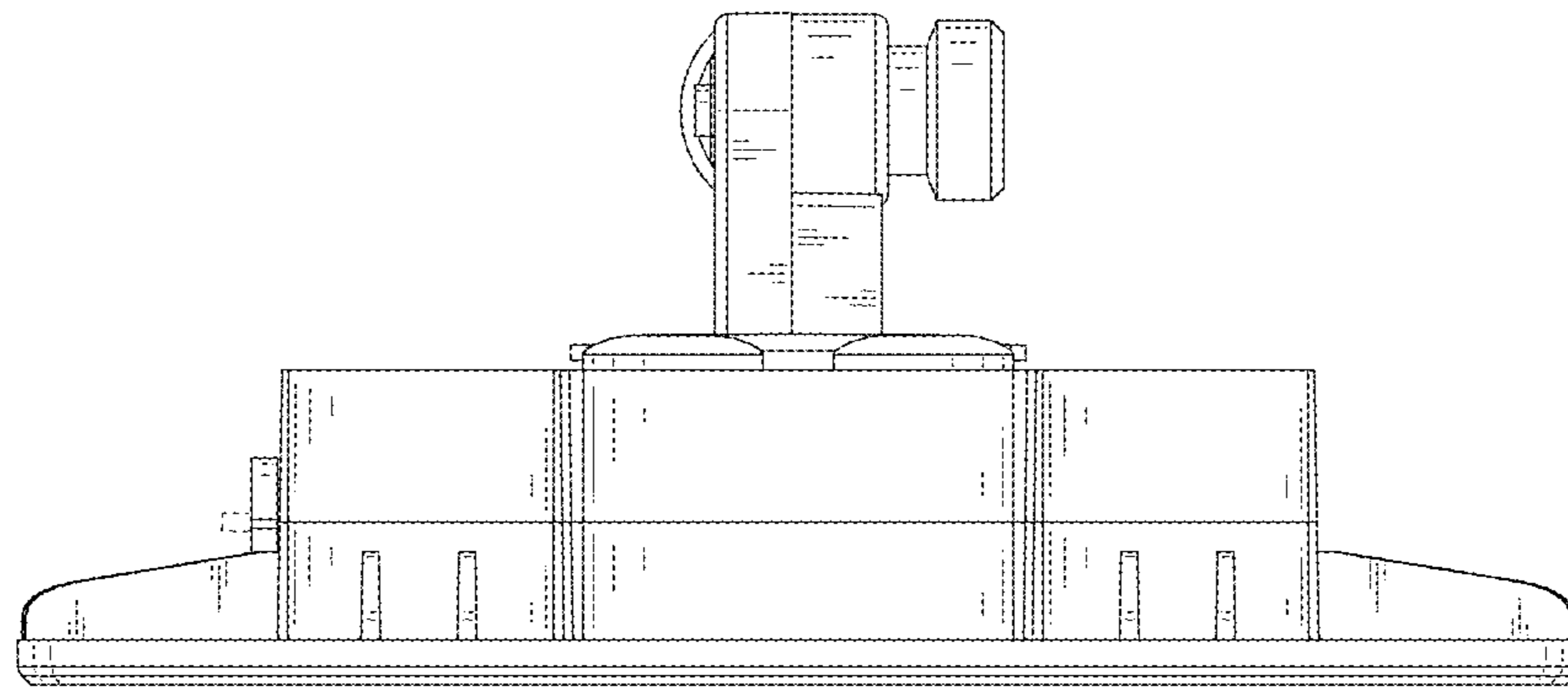


FIG. 7

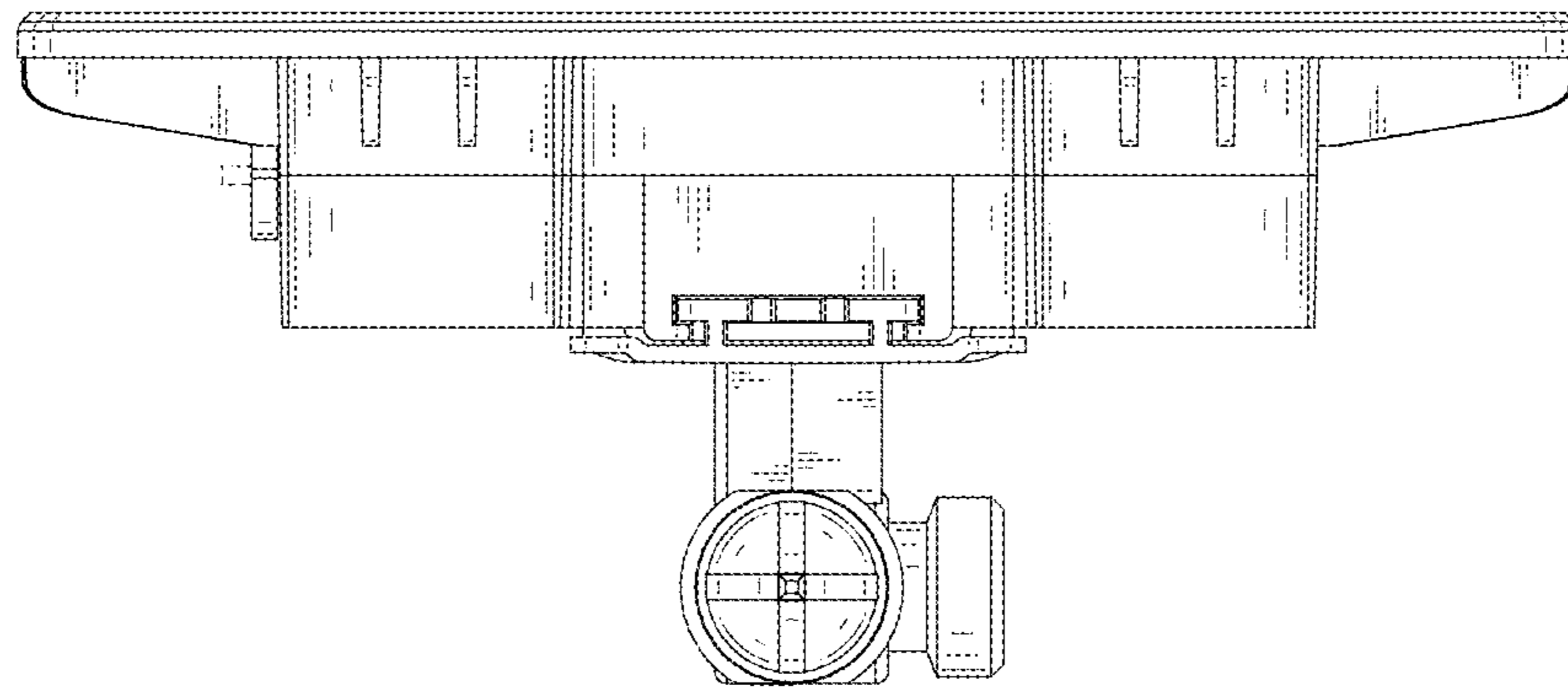


FIG. 8

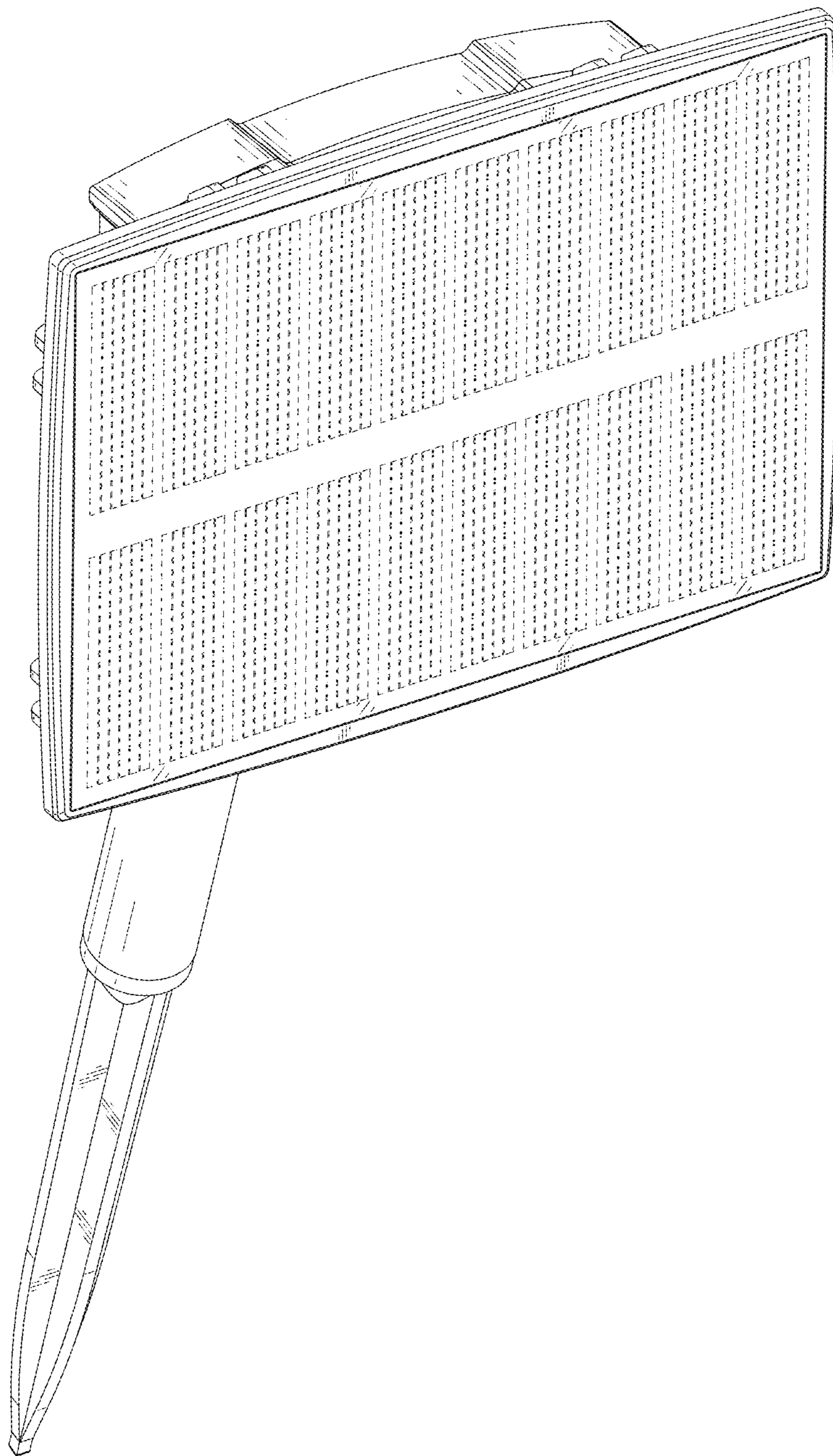


FIG. 9