



US00D949087S

(12) **United States Design Patent**
Arakawa

(10) **Patent No.:** **US D949,087 S**
(45) **Date of Patent:** **** Apr. 19, 2022**

(54) **TIRE**
(71) Applicant: **Toyo Tire Corporation**, Itami (JP)
(72) Inventor: **Koji Arakawa**, Itami (JP)
(73) Assignee: **Toyo Tire Corporation**, Itami (JP)
(**) Term: **15 Years**

(21) Appl. No.: **29/741,592**
(22) Filed: **Jul. 14, 2020**

(30) **Foreign Application Priority Data**
Jan. 17, 2020 (JP) 2020-000687 D
Mar. 12, 2020 (JP) 2020-004902 D
(51) **LOC (13) Cl.** **12-15**
(52) **U.S. Cl.**
USPC **D12/519**
(58) **Field of Classification Search**
USPC D12/500-532, 604
CPC Y10T 152/10027; B60C 1/0016; B60C
11/0306; B60C 11/0302; B60C 3/06;
B60C 9/17
See application file for complete search history.

(56) **References Cited**
U.S. PATENT DOCUMENTS
D599,276 S * 9/2009 Fontaine D12/519
D601,939 S * 10/2009 Fontaine D12/519
D729,147 S * 5/2015 Perrier D12/518
D732,461 S * 6/2015 Bindner D12/519
D758,954 S * 6/2016 Albouy D12/518
D761,716 S * 7/2016 Albouy D12/519
D789,279 S * 6/2017 Hayashi D12/523

D851,574 S * 6/2019 Rittweger D12/523
D892,027 S * 8/2020 Sakata D12/517
D895,533 S * 9/2020 Mizushima D12/518
D901,372 S * 11/2020 Moia D12/517
D910,534 S * 2/2021 Shibayama D12/517
D914,582 S * 3/2021 Sugiyama D12/517
D918,126 S * 5/2021 Matturro D12/517
2020/0307319 A1 * 10/2020 Reichling B60C 11/04

FOREIGN PATENT DOCUMENTS

JP 1425355 S 10/2011
JP 1541338 S 1/2016

* cited by examiner

Primary Examiner — John A Voytek
(74) *Attorney, Agent, or Firm* — Sterne, Kessler,
Goldstein & Fox P.L.L.C.

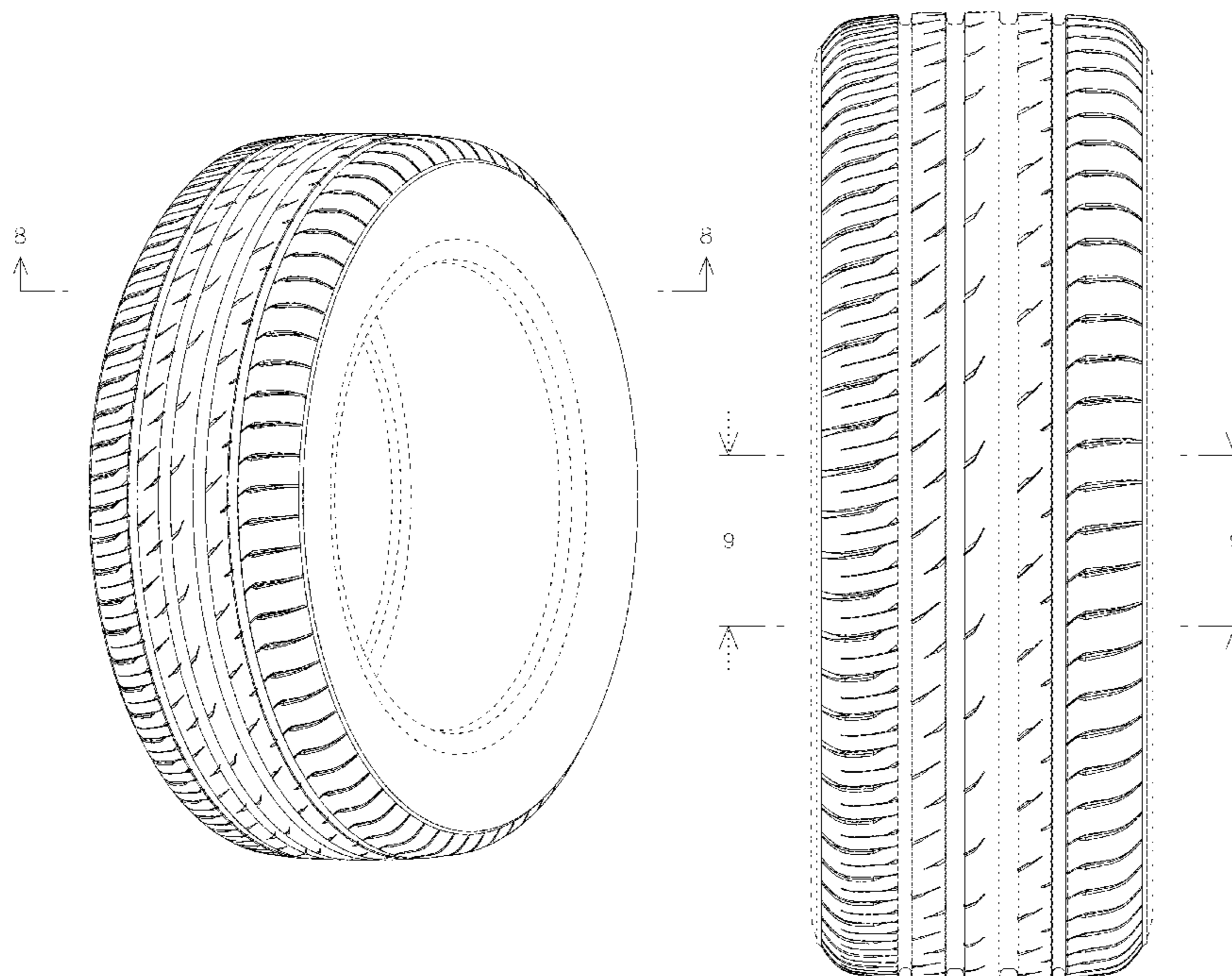
(57) **CLAIM**

The ornamental design for a tire, as shown and described.

DESCRIPTION

FIG. 1 is a front perspective view of a tire showing the claimed design;
FIG. 2 is a front view thereof;
FIG. 3 is a rear view thereof;
FIG. 4 is a top plan view thereof;
FIG. 5 is a bottom plan view thereof;
FIG. 6 is a right side view thereof;
FIG. 7 is a left side view thereof;
FIG. 8 is an enlarged view taken along line 8-8 in FIG. 1;
FIG. 9 is an enlarged view of the portion 9-9 in FIG. 2; and,
FIG. 10 is a cross-sectional view taken along line 10-10 in FIG. 9.
In the drawings, the broken lines show portions of the tire that form no part of the claimed design.

1 Claim, 10 Drawing Sheets



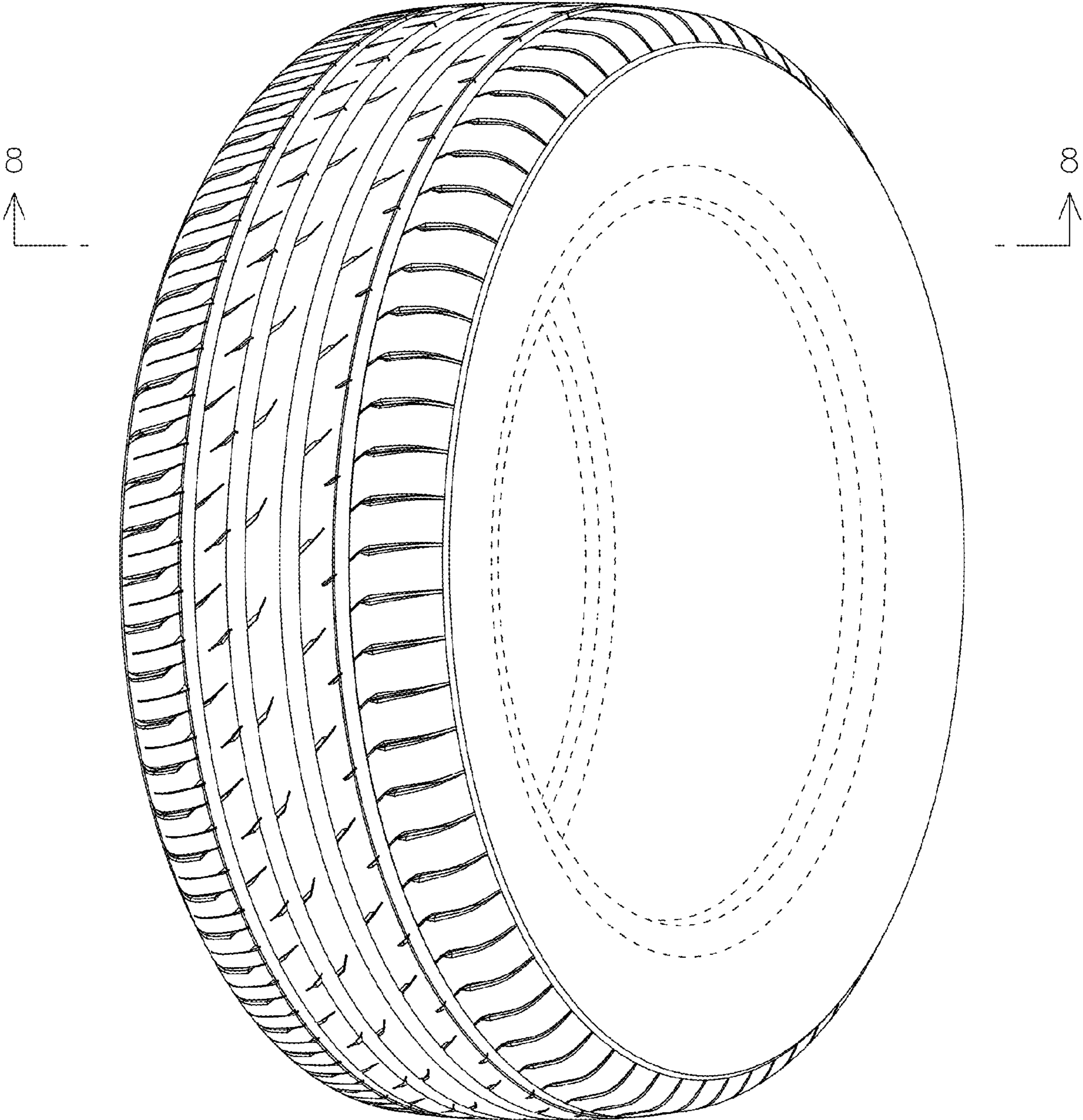


FIG. 1

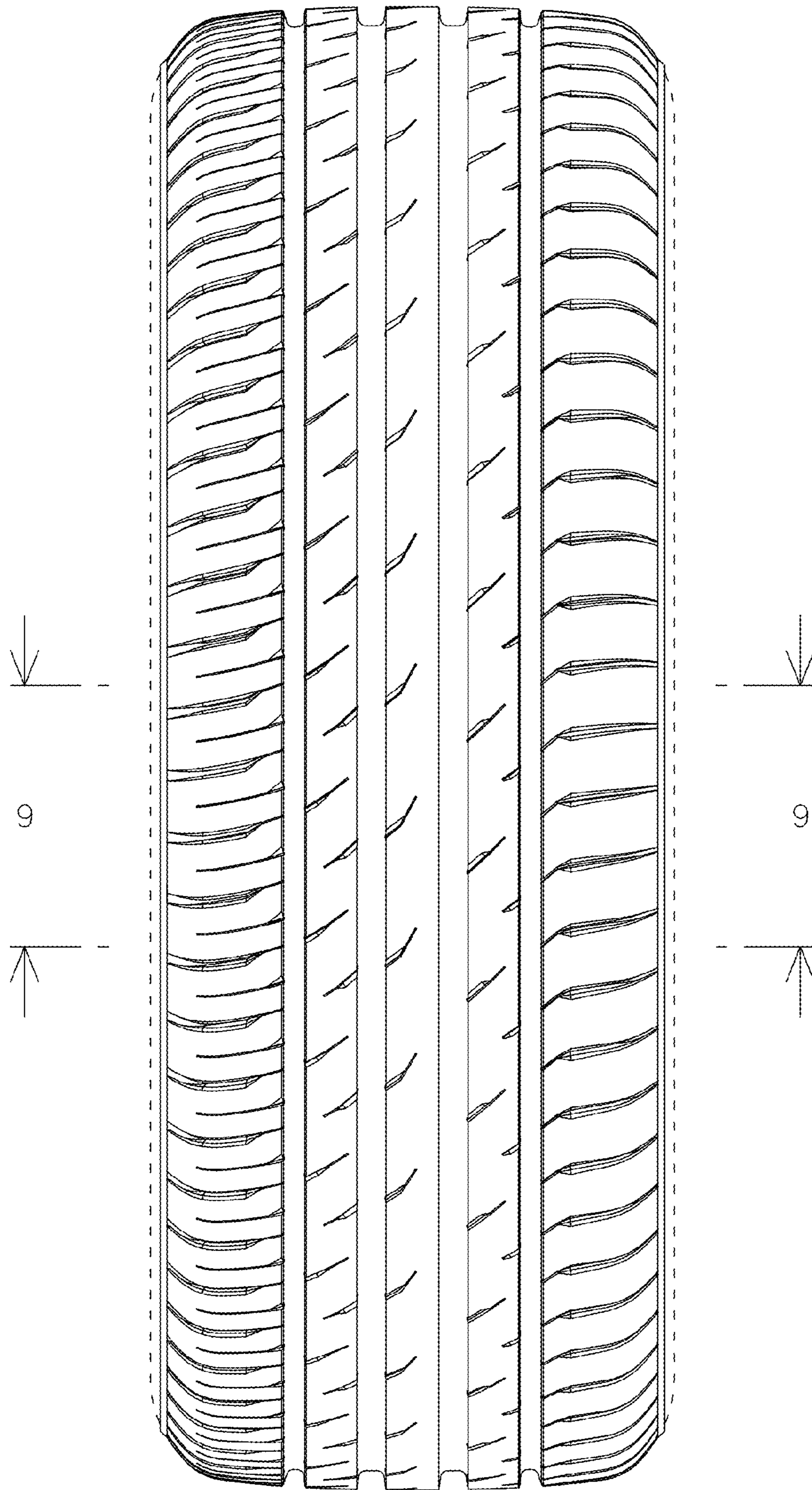


FIG. 2

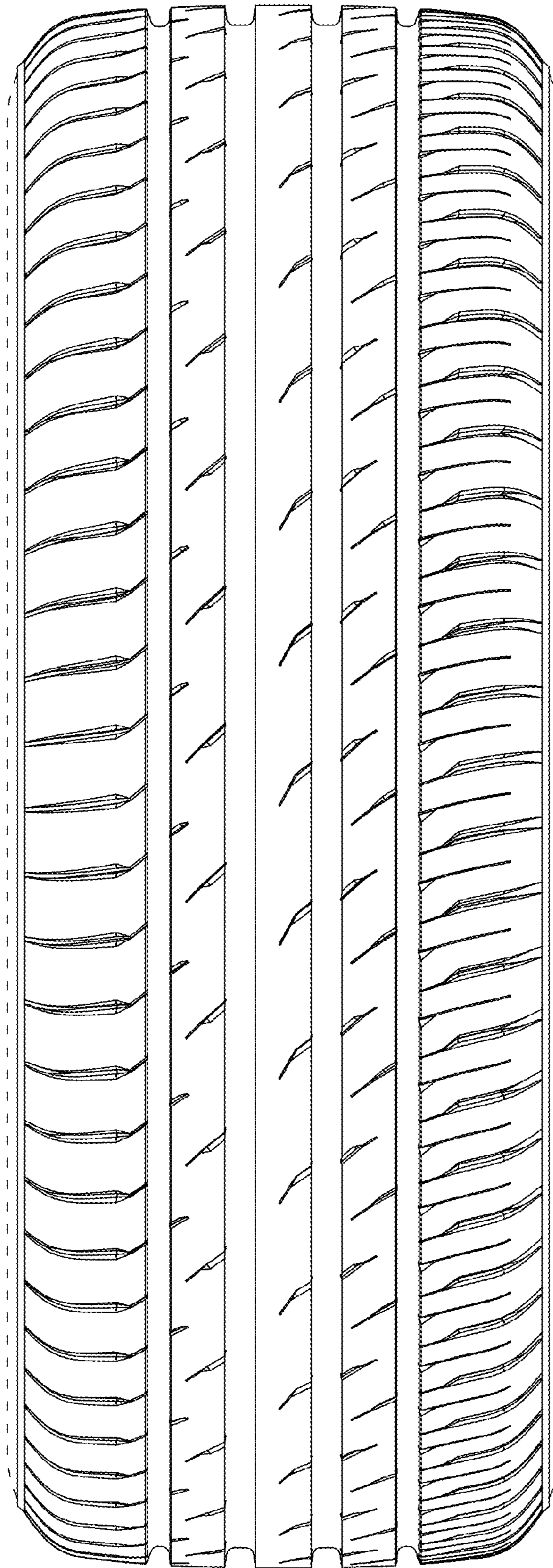


FIG. 3

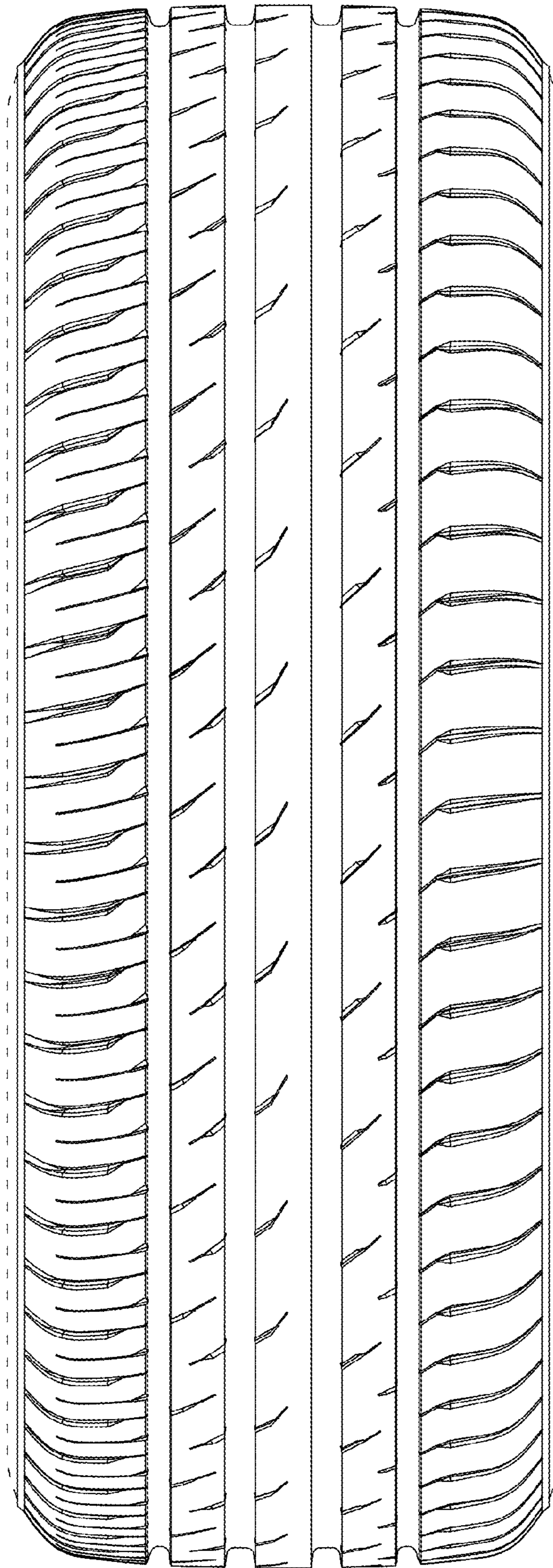


FIG. 4

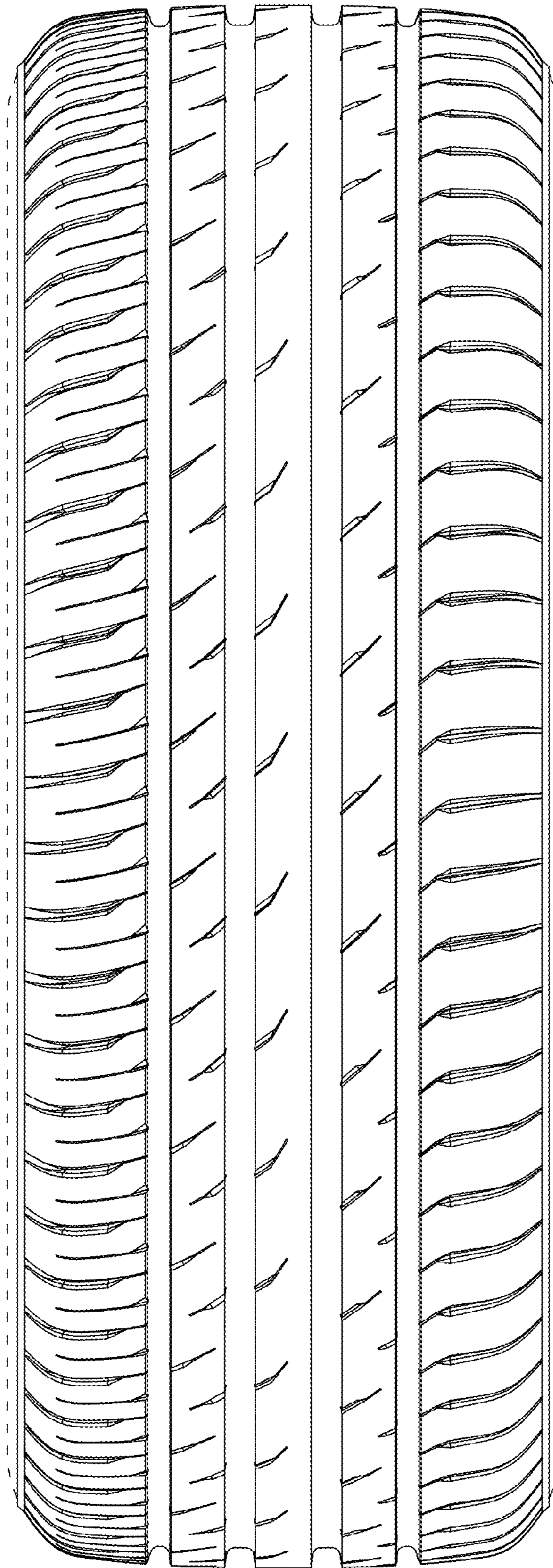


FIG. 5

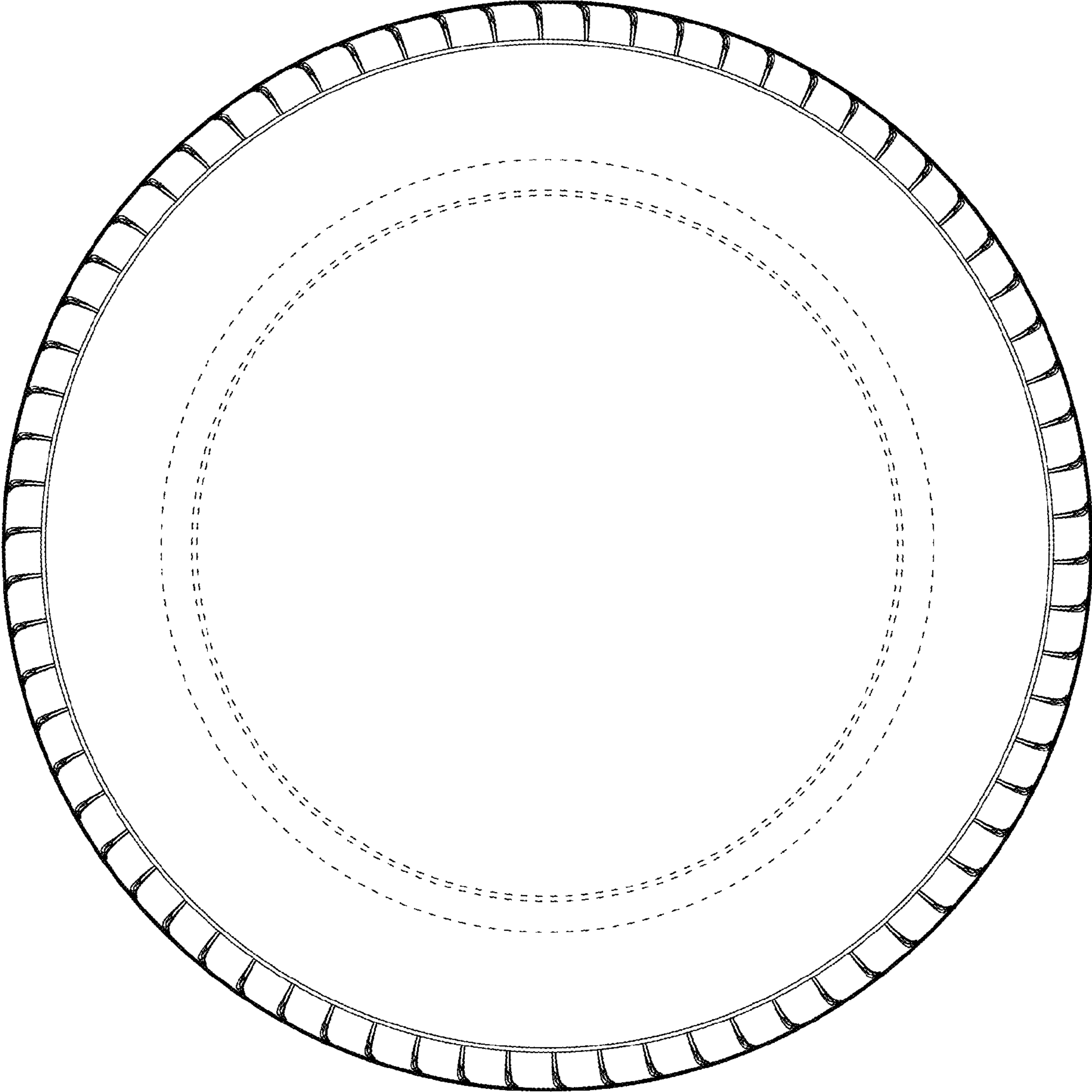


FIG. 6

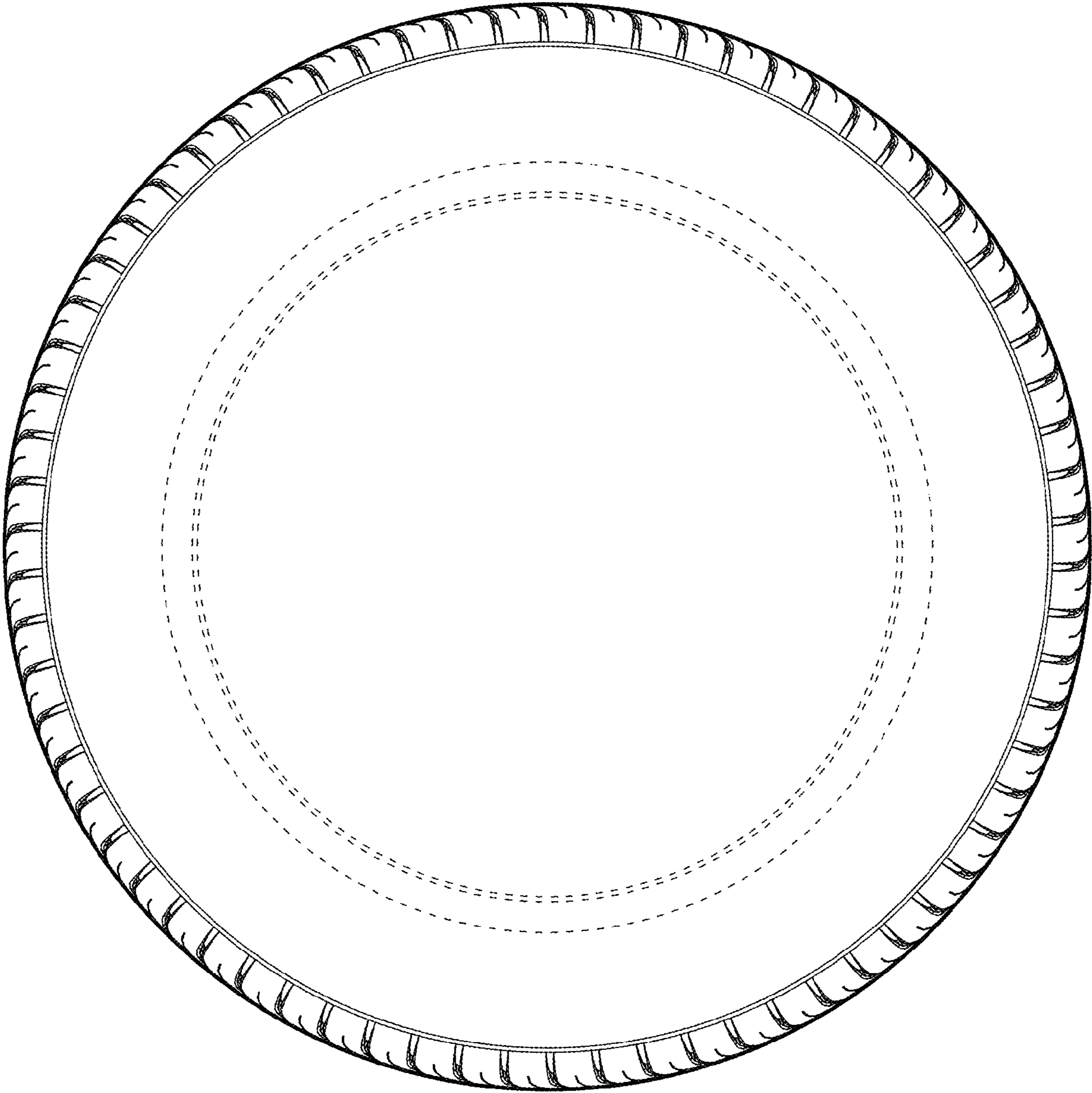


FIG. 7

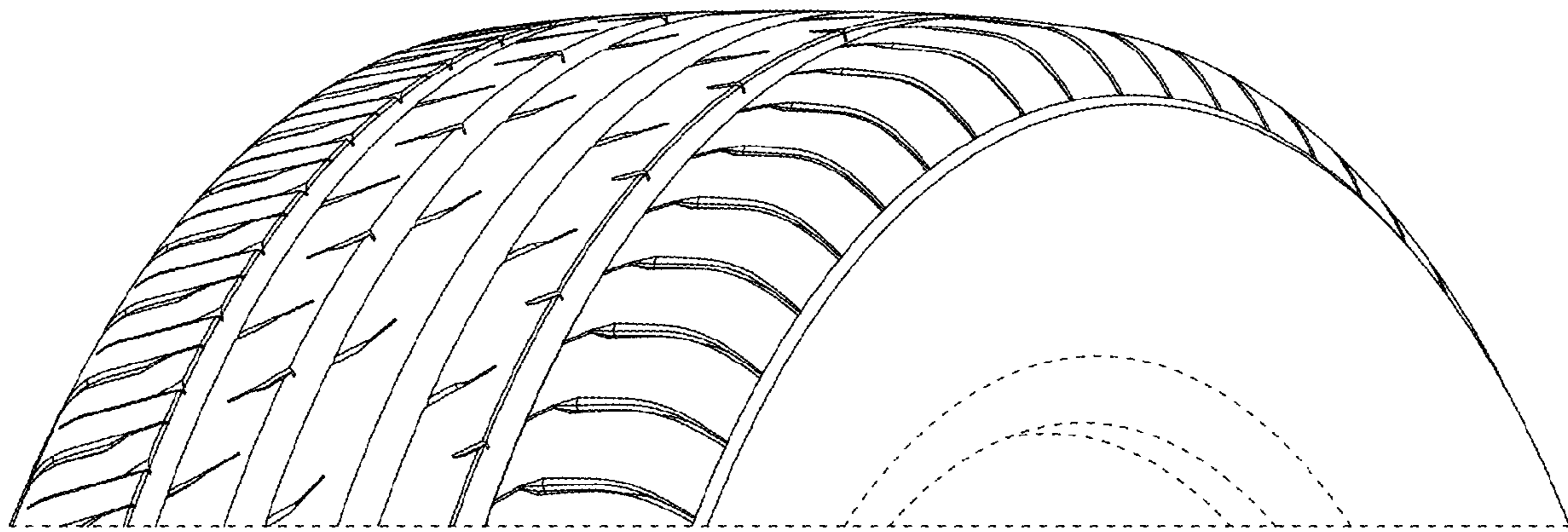


FIG. 8

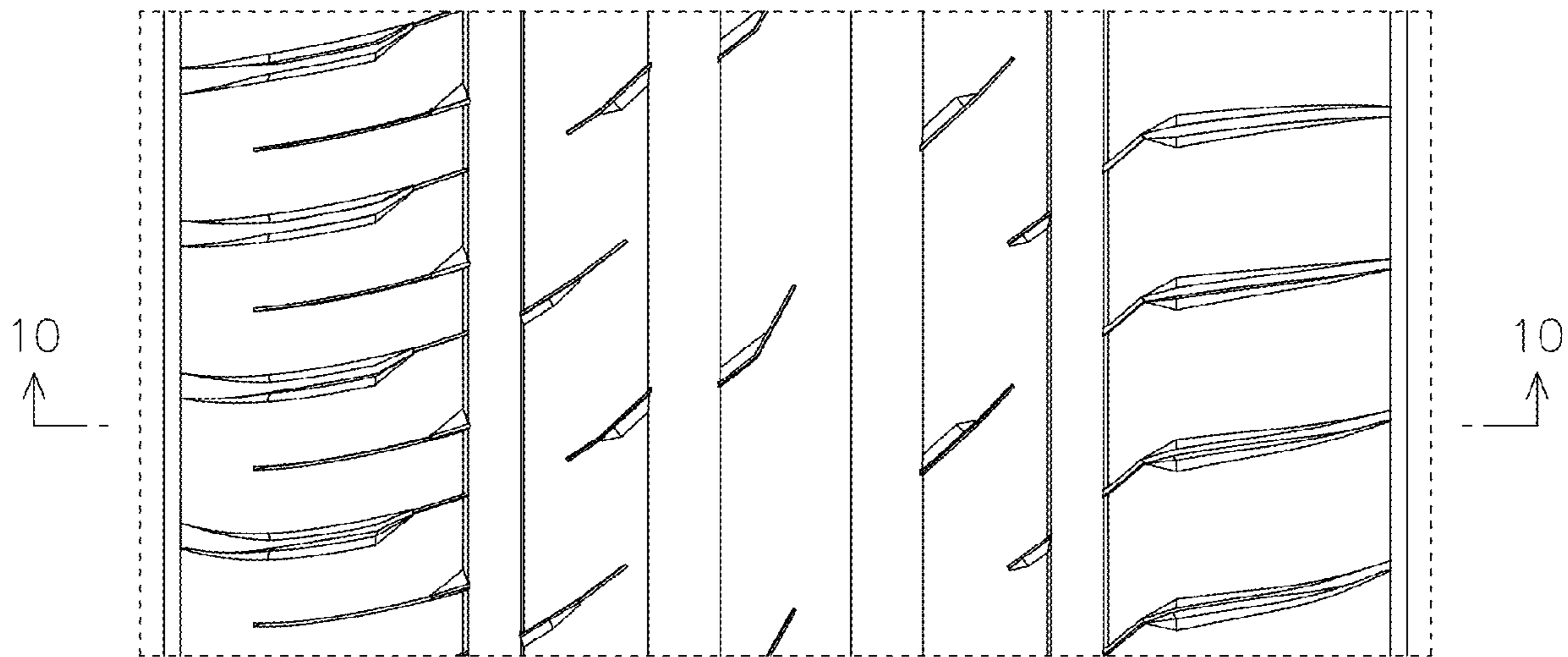


FIG. 9

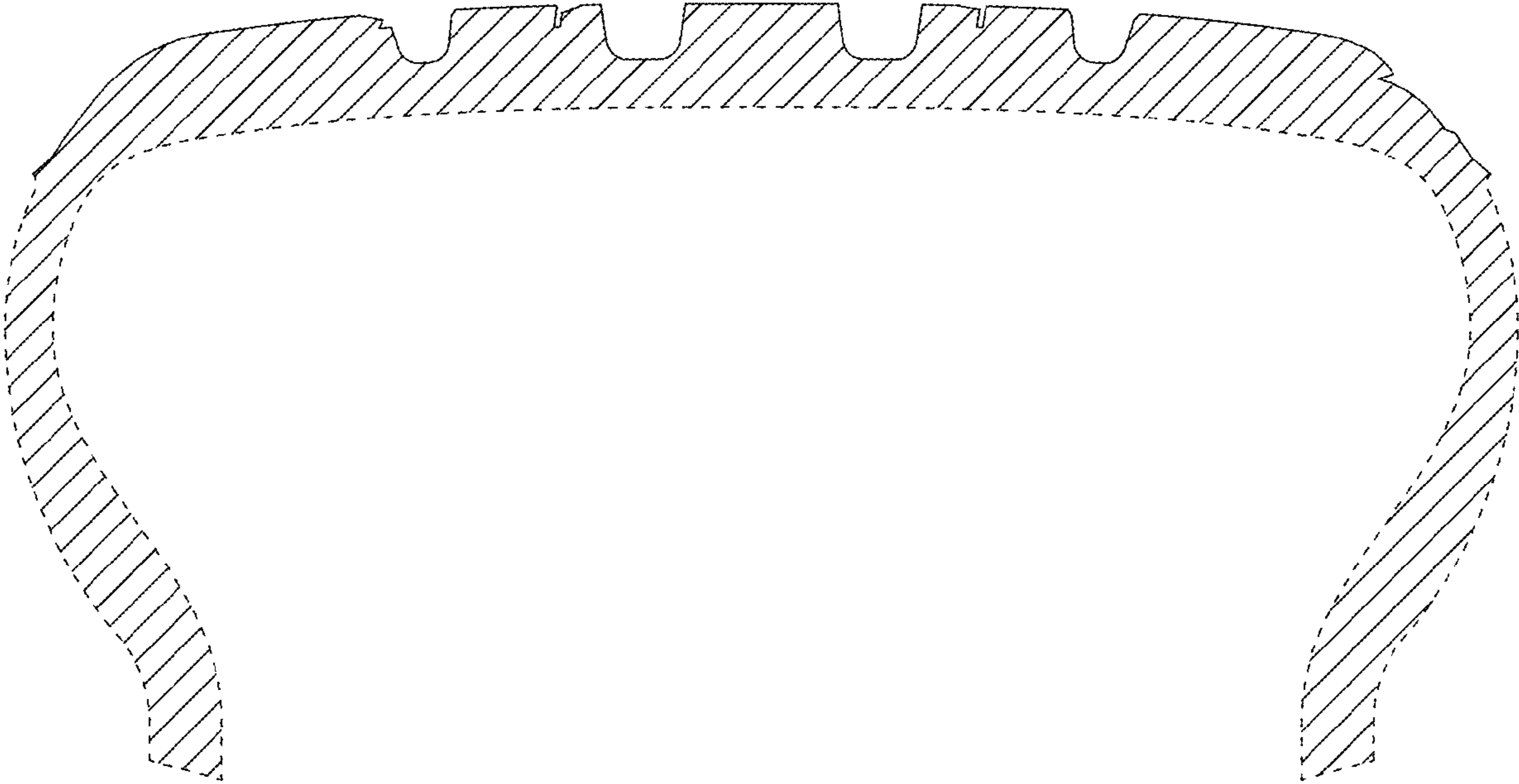


FIG. 10