



US00D949086S

(12) **United States Design Patent** (10) **Patent No.:** **US D949,086 S**
Reid (45) **Date of Patent:** **** Apr. 19, 2022**

(54) **REINFORCED COVER FOR STORAGE COMPARTMENTS**

(71) Applicant: **Stephen Christopher Swift**,
Alexandria, VA (US)

(72) Inventor: **Marcellus Lee Reid**, Mitchellville, MD
(US)

(**) Term: **15 Years**

(21) Appl. No.: **29/648,841**

(22) Filed: **May 24, 2018**

(51) **LOC (13) Cl.** **12-16**

(52) **U.S. Cl.**
USPC **D12/423; D99/28**

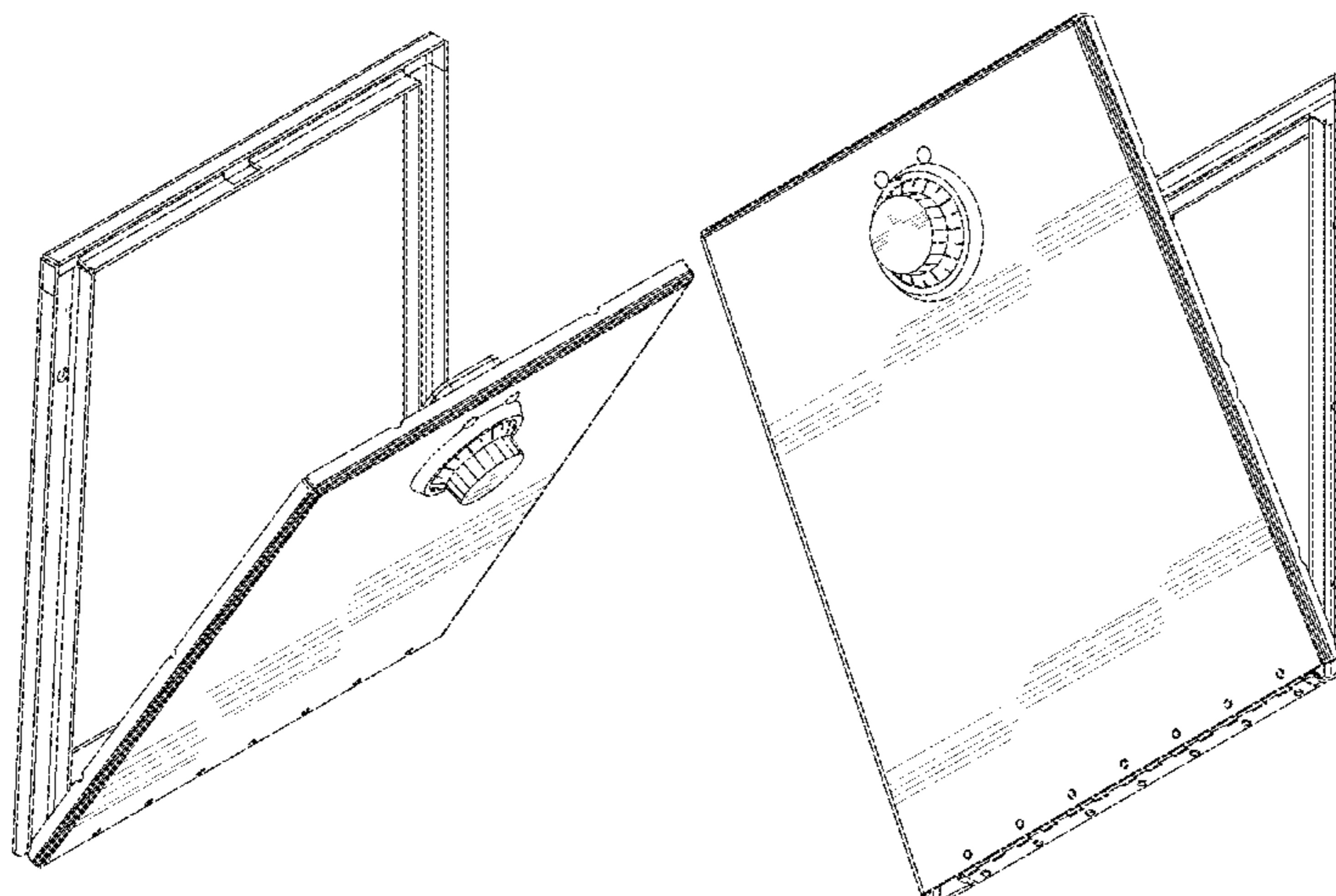
(58) **Field of Classification Search**
USPC D12/400, 401, 423; D99/8, 30, 31, 33,
D99/34, 35, 36, 42, 43
See application file for complete search history.

(56) **References Cited**

U.S. PATENT DOCUMENTS

1,328,302 A 1/1920 Shelton
D199,011 S * 8/1964 Vogt D27/187
3,186,574 A 6/1965 Davidson
3,435,907 A 4/1969 Imhoff
D249,670 S * 9/1978 VanderWaal D12/416
4,182,251 A 1/1980 Durand et al.
4,493,199 A * 1/1985 Uyeda E05B 65/0075
70/1.5
D281,920 S * 12/1985 Lacka D99/28
4,690,237 A 9/1987 Funabashi et al.
4,746,008 A 5/1988 Heverly
4,848,627 A 7/1989 Maeda et al.
4,998,424 A 10/1991 Iwai
D325,125 S * 4/1992 Paul 296/37.15
D343,602 S * 1/1994 Brown D12/401
D354,835 S * 1/1995 Brendel D99/43
D363,916 S 11/1995 Johnson
D368,249 S 3/1996 Ferrer
D373,754 S 9/1996 Pinterpe
D373,990 S 9/1996 Loehnis
D374,423 S 10/1996 Downey, II et al.
D378,671 S 4/1997 Herrs

5,657,916 A 8/1997 Tackett
D387,327 S 12/1997 Ethridge
D389,451 S 1/1998 Wilson
D390,843 S 2/1998 Rosen
5,713,500 A 2/1998 Ingerson et al.
5,718,350 A 2/1998 Williams
5,875,948 A 3/1999 Sadler
D411,980 S 7/1999 Sacco
5,944,173 A 8/1999 Boire
D430,103 S 8/2000 Scudder
D434,361 S 11/2000 Block et al.
D435,024 S 12/2000 Rosen
D437,709 S 2/2001 Edstrom
6,371,321 B1 4/2002 Lee
6,402,000 B1 6/2002 Stark
6,425,510 B1 7/2002 King
D485,227 S 1/2004 Graham
D487,179 S * 2/2004 Traversie D12/423
D487,720 S 3/2004 Thomas
D487,835 S * 3/2004 Lynch D99/28
D496,322 S 9/2004 Farney et al.
D498,097 S 11/2004 Schwyzer
D499,574 S 12/2004 Spicer
D512,367 S 12/2005 Eskandry
D512,955 S 12/2005 Misch
D514,424 S 2/2006 Arscott
7,090,287 B1 8/2006 Eberst
D549,425 S 8/2007 Burns
D550,043 S 9/2007 Brattoli
D579,201 S 10/2008 Galli
7,431,114 B2 10/2008 Ohira et al.
D579,975 S 11/2008 Brown
D593,929 S 6/2009 Mickan
D601,477 S 10/2009 Ma et al.
D602,290 S 10/2009 Erickson et al.
D616,700 S 6/2010 Pourounidis et al.
D624,092 S 9/2010 Holmer
D630,568 S 1/2011 Melia
D632,619 S 2/2011 Noble
D645,225 S * 9/2011 Hunt D99/43
D659,279 S 5/2012 Allan et al.
D661,083 S 6/2012 Frierson
D666,433 S 9/2012 Williams
D690,638 S 10/2013 Waugh et al.
8,726,588 B2 5/2014 Jakus
D706,308 S 6/2014 Takahashi
D711,365 S 8/2014 Miles
D716,087 S 10/2014 Black
8,869,458 B2 10/2014 Ivasiv et al.
D718,049 S 11/2014 Hsu
D722,603 S 2/2015 Lay et al.
D723,022 S 2/2015 Miles
D723,023 S 2/2015 Miles



D728,581	S	5/2015	Feinberg et al.	
D729,256	S	5/2015	Feng	
D730,362	S	5/2015	Akana et al.	
D737,271	S	8/2015	Morrissey	
9,106,061	B1	8/2015	Shotey	
D737,991	S	9/2015	Balaguru et al.	
D743,130	S	11/2015	Choi et al.	
D743,927	S	11/2015	Endo et al.	
D745,700	S	12/2015	Sparks	
D748,540	S	2/2016	Elder, Jr.	
D753,943	S	4/2016	Gosling et al.	
9,314,919	B2	4/2016	Harrison	
D755,706	S	5/2016	Roach et al.	
D755,708	S	5/2016	Roach et al.	
D755,709	S	5/2016	Williams	
D757,298	S	5/2016	Kelley	
D757,299	S	5/2016	Altieri, Jr.	
D757,300	S	5/2016	Haberland	
D764,989	S	8/2016	Marcus et al.	
D765,014	S	8/2016	Roach et al.	
D766,459	S	9/2016	Cox et al.	
D767,455	S	9/2016	Kaplan et al.	
D770,359	S	11/2016	Winn	
D770,439	S	11/2016	Fiore, IV	
D770,962	S	11/2016	Badillo	
9,491,932	B1	11/2016	Becattini, Jr.	
D776,456	S	1/2017	Geiger	
D799,148	S	* 10/2017	Crosby	D99/28
D800,989	S	* 10/2017	Lucido	D99/28
D802,873	S	* 11/2017	Crosby	D99/28
D811,686	S	* 2/2018	Crosby	D99/28
D818,932	S	* 5/2018	Reid	D12/400
D880,103	S	* 3/2020	Quinn	D99/28
2002/0096517	A1	7/2002	Gelardi	
2003/0075462	A1	4/2003	Hai	
2003/0193278	A1	10/2003	Hellman et al.	
2005/0178765	A1	8/2005	Howes	
2007/0163911	A1	7/2007	Gelardi	
2010/0065561	A1	3/2010	Valley, III et al.	
2011/0147387	A1	6/2011	Greenwood	
2013/0175193	A1	7/2013	Holstein	
2013/0186211	A1	7/2013	Kaufmann et al.	
2013/0186903	A1	7/2013	Leonard et al.	
2013/0341338	A1	12/2013	Mitchell	
2014/0138378	A1	5/2014	Lequeux	
2015/0171511	A1	6/2015	Pleva	
2015/0259107	A1	9/2015	Hoagland	
2015/0266633	A1	9/2015	Cameron et al.	
2015/0315532	A1	11/2015	Bergbohm et al.	
2016/0114953	A1	4/2016	Sanderson	
2016/0130045	A1	5/2016	Giraud et al.	
2016/0273250	A1	9/2016	Endo	
2016/0332787	A1	11/2016	Tsao	
2016/0362231	A1	12/2016	Karamanos et al.	
2016/0366776	A1	12/2016	Tollefsbol et al.	
2016/0368130	A1	12/2016	Bryant	
2017/0008688	A1	1/2017	Barattin	
2017/0029173	A1	2/2017	Baker	
2017/0031165	A1	2/2017	Costa	
2019/0100360	A1*	4/2019	Ziering	B65D 85/10
2021/0130049	A1*	5/2021	Kramp	B65D 43/163

FOREIGN PATENT DOCUMENTS

JP 9-86464 A 3/1997

OTHER PUBLICATIONS

XP 1000 smart phone holder, image post date Jul. 31, 2013, site visited Feb. 5, 2017, (online), <<http://www.rzrforums.net/rzr-xp-1000/116072-xp-1000-smart-phone-holder.html>>.

Best bike boxes and best bags, image post date Jul. 23, 2013, site visited Feb. 5, 2017, (online), <<http://walmarttuche.blogspot.com/2013/07/cases-para-transporte-de-bike.html>>.

New Luggage from Polaris, image post date Apr. 11, 2016, site visited Feb. 5, 2017, (online), <<http://slingshotinfo.com/index.php?thread/92-new-luggage-from-polaris/>>.

* cited by examiner

Primary Examiner — Mojtaba Tehrani
(74) *Attorney, Agent, or Firm* — Swift & Swift, Attorneys at Law, P.L.L.C.; Stephen Christopher Swift

(57) **CLAIM**

The ornamental design for a reinforced cover for storage compartments, as shown and described.

DESCRIPTION

This application is a Continuation-In-Part of U.S. Design patent application Ser. No. 29/580,712, filed Oct. 12, 2016, which is incorporated herein by reference.

FIG. 1 is a left front perspective view of a reinforced cover for storage compartments, in an open position, showing my new design.

FIG. 2 is a rear perspective view thereof, in a closed position.

FIG. 3 is a right front perspective view thereof, in an open position.

FIG. 4 is a left side elevation view thereof, in an open position.

FIG. 5 is a front elevation view thereof, in an open position.

FIG. 6 is a right side elevational view thereof, in an open position.

FIG. 7 is a left front perspective view thereof, in an open position.

FIG. 8 is a top rear perspective view thereof, in a closed position.

FIG. 9 is a right front perspective view thereof, in an open position.

FIG. 10 is a left front perspective view thereof, in a closed position.

FIG. 11 is a top plan view thereof, in a closed position.

FIG. 12 is a right front perspective view thereof, in a closed position.

FIG. 13 is a left side elevation view thereof, in a closed position.

FIG. 14 is a front elevation view thereof, in a closed position.

FIG. 15 is a right side elevation view thereof, in a closed position.

FIG. 16 is a left front perspective view thereof, in a closed position.

FIG. 17 is a bottom plan view thereof, in a closed position; and,

FIG. 18 is a right front perspective view thereof, in a closed position.

1 Claim, 18 Drawing Sheets

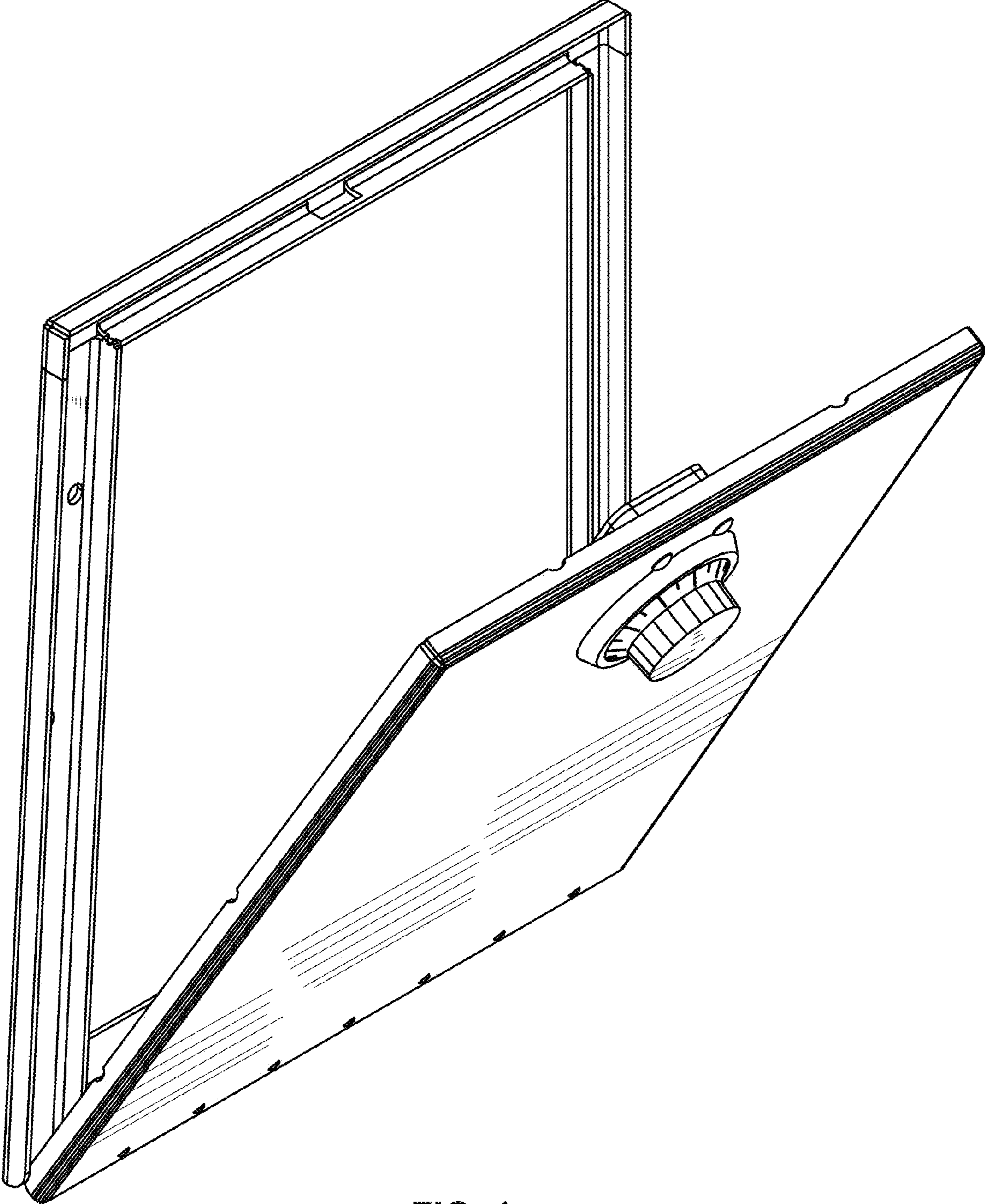


FIG. 1

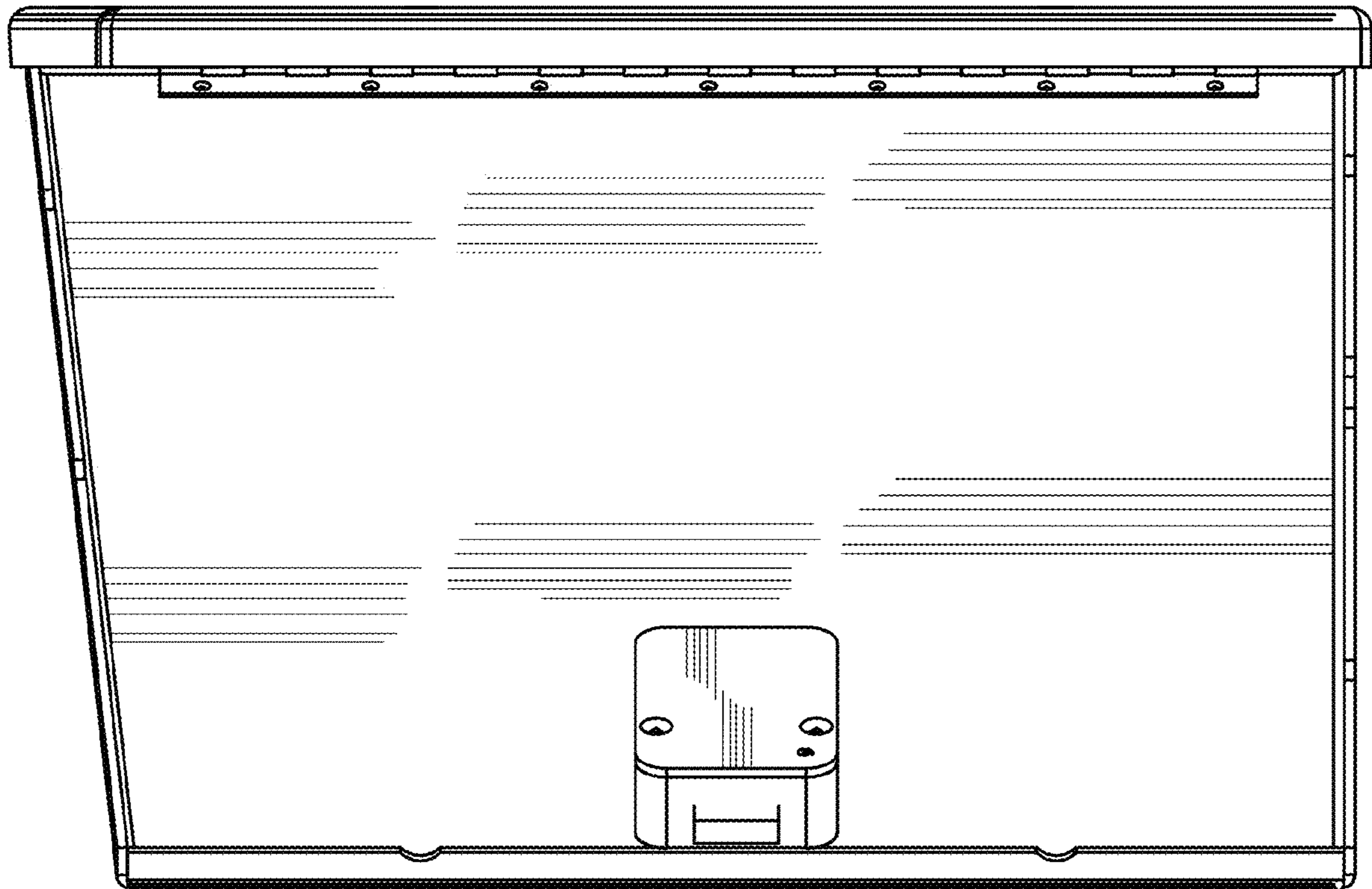


FIG. 2

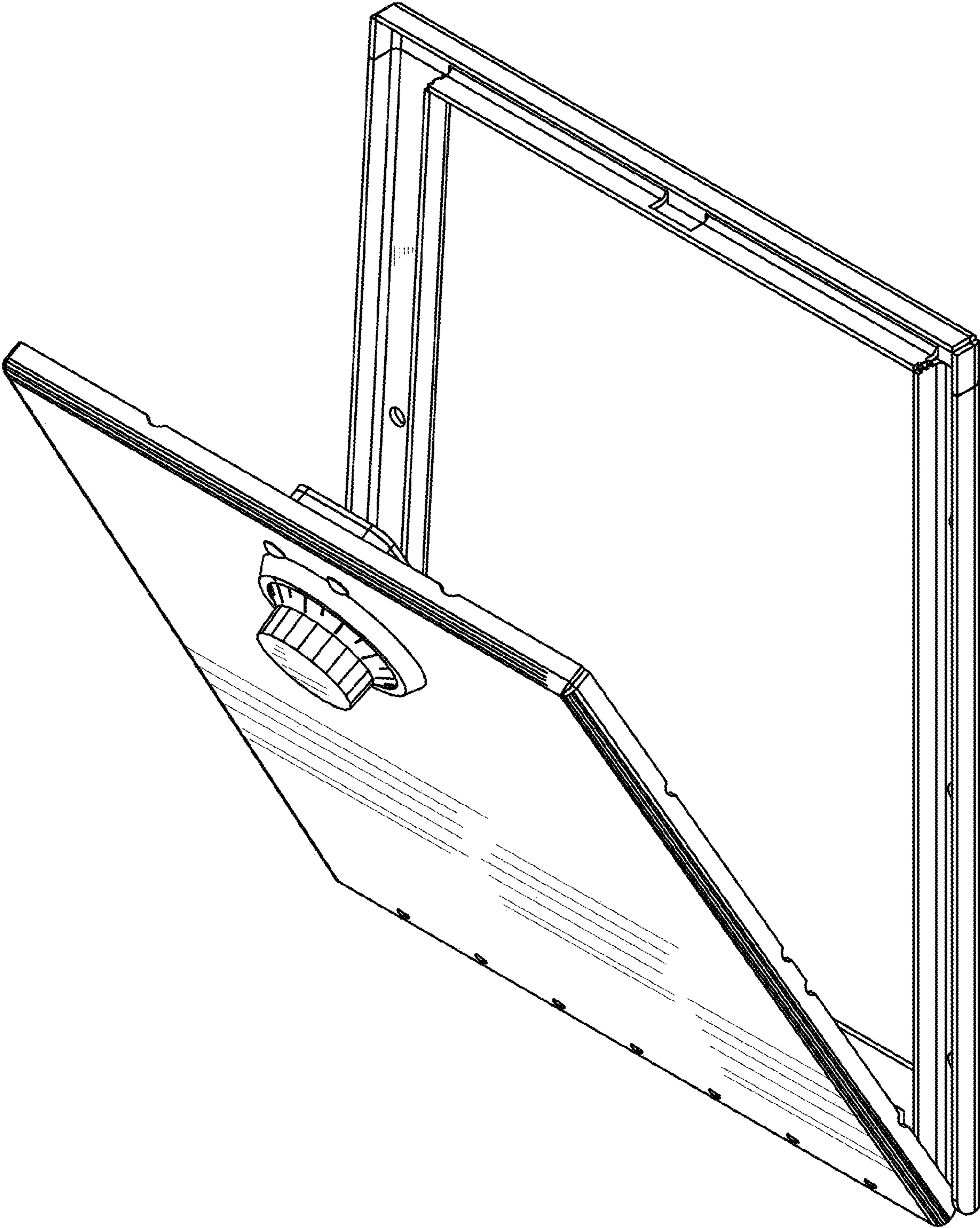


FIG. 3

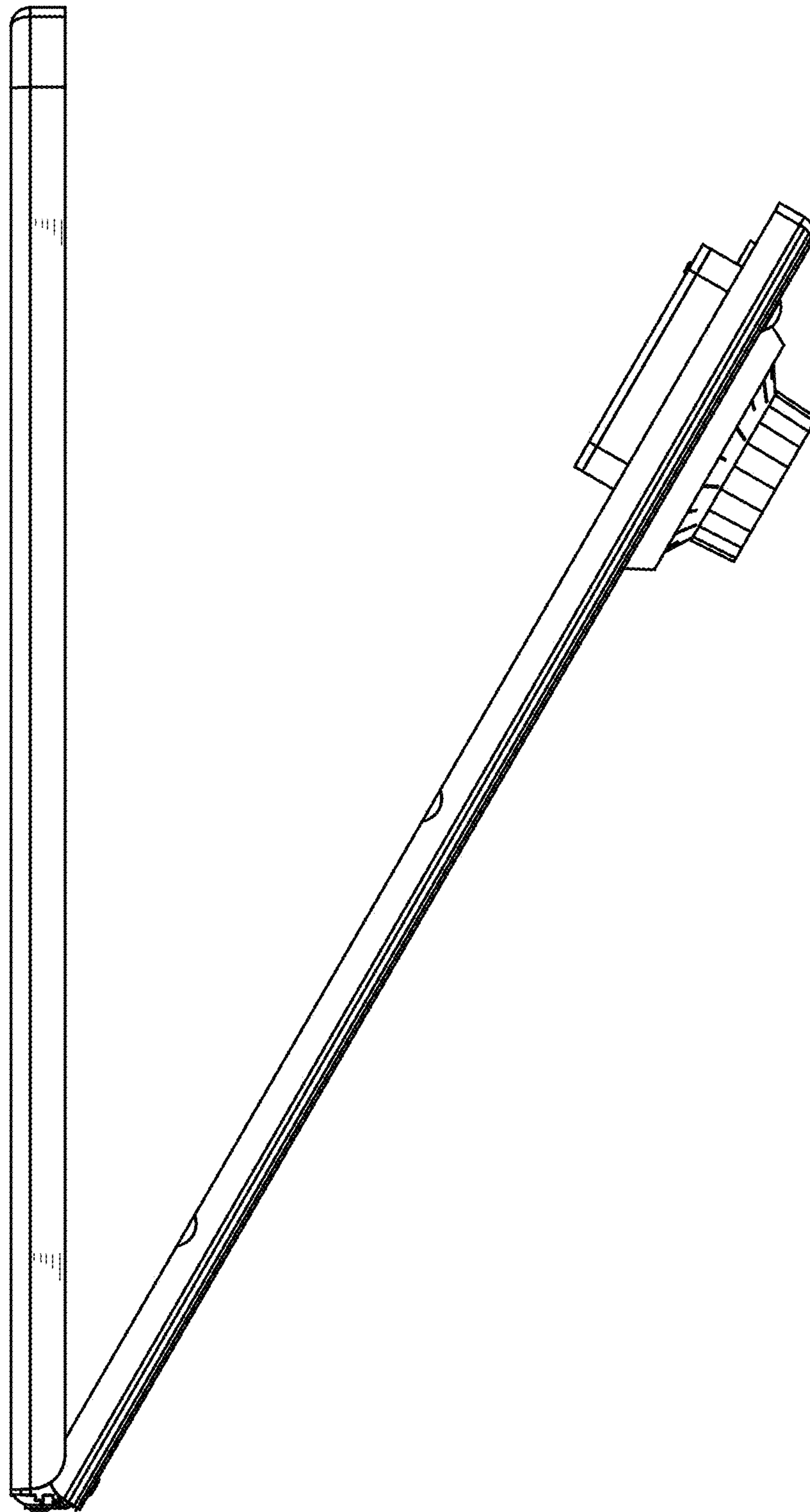


FIG. 4

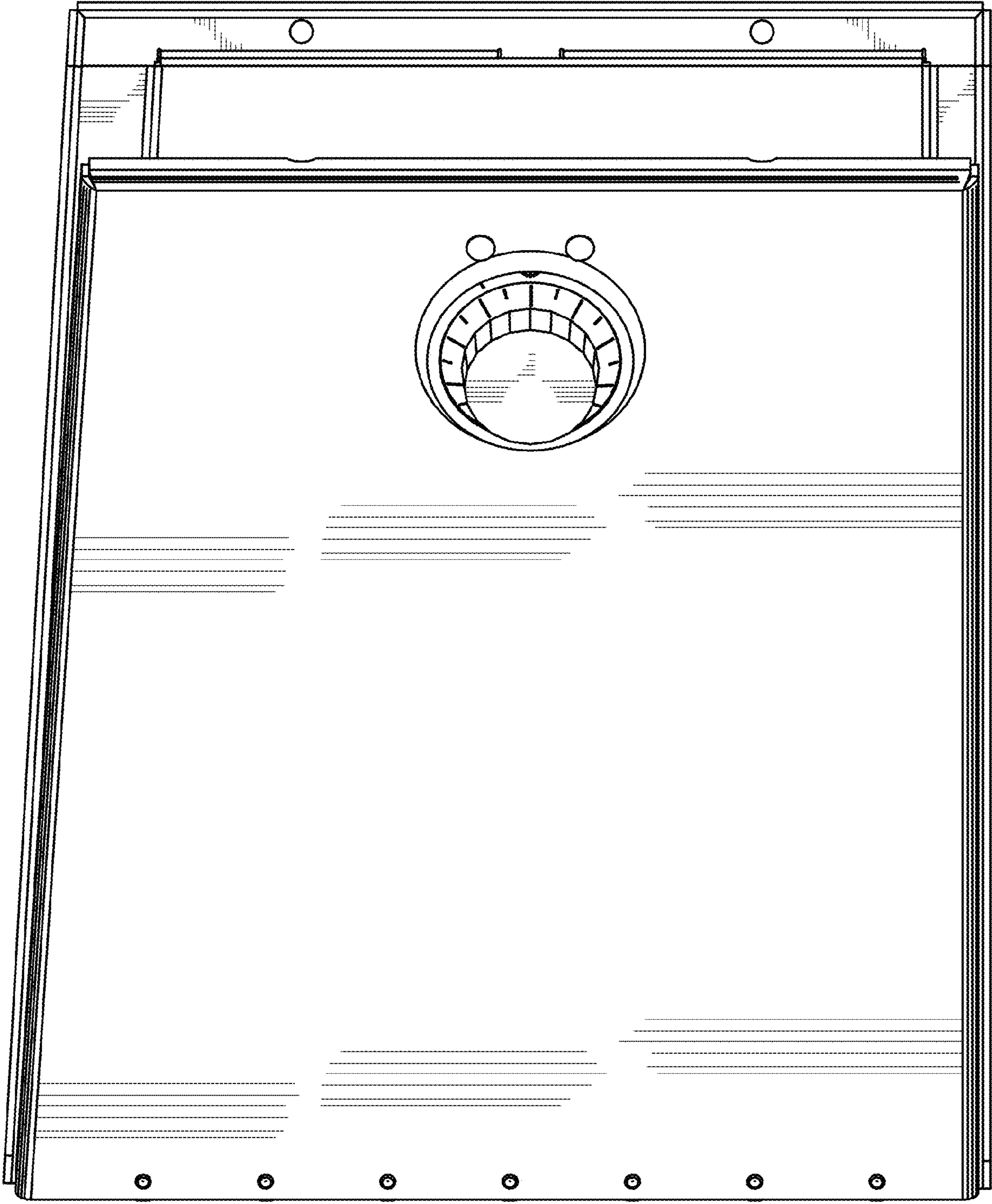


FIG. 5

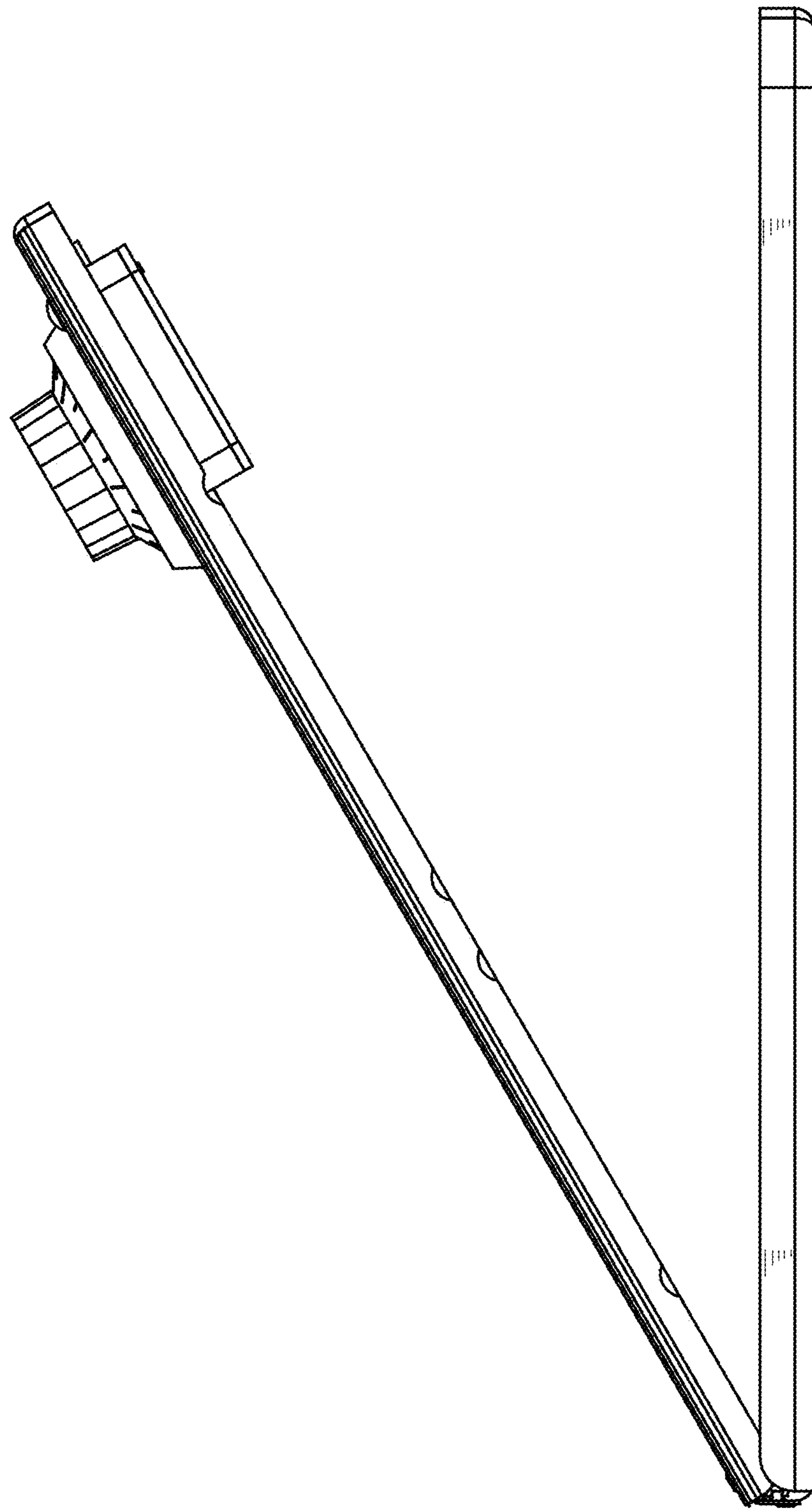


FIG. 6

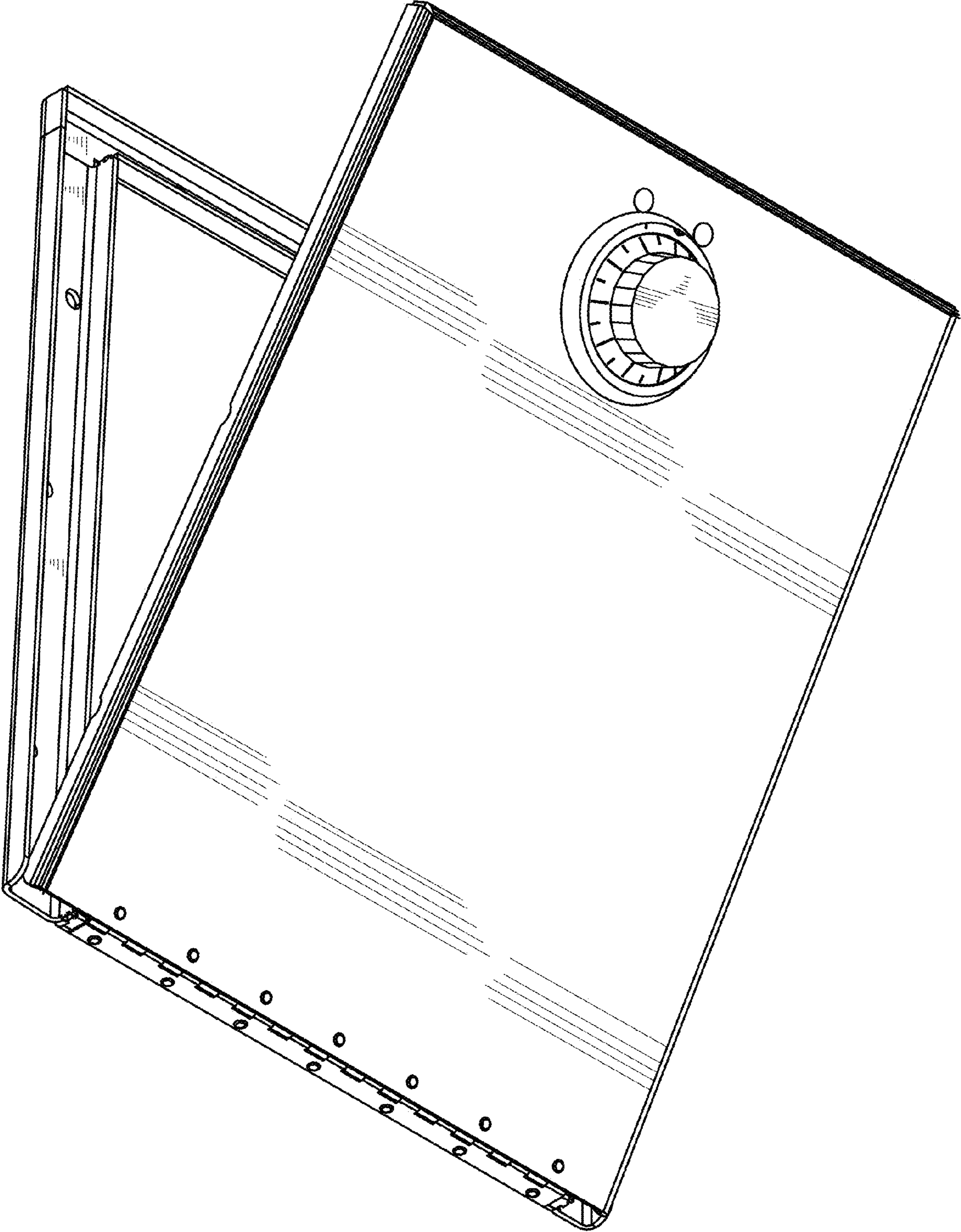


FIG. 7

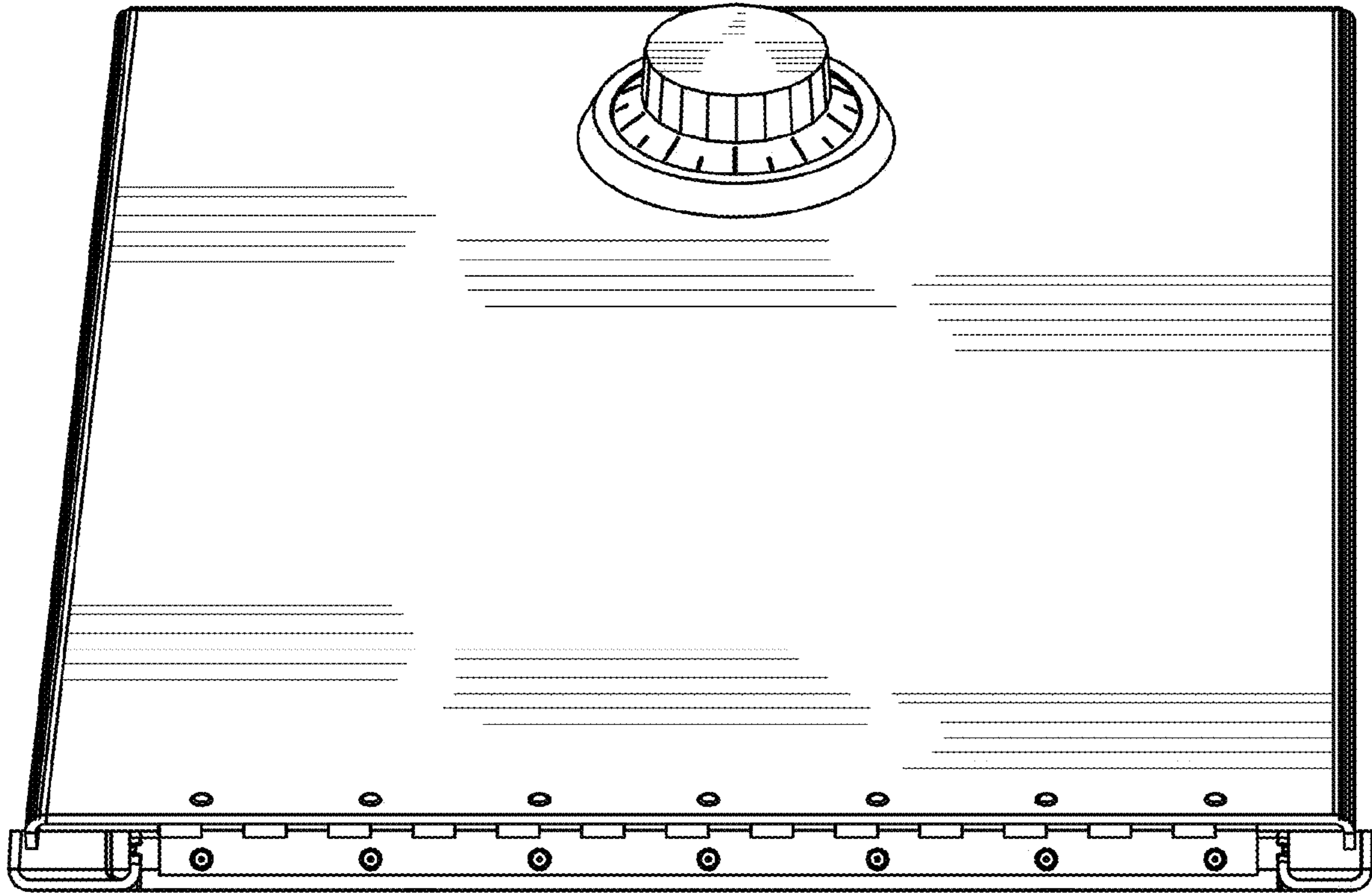


FIG. 8

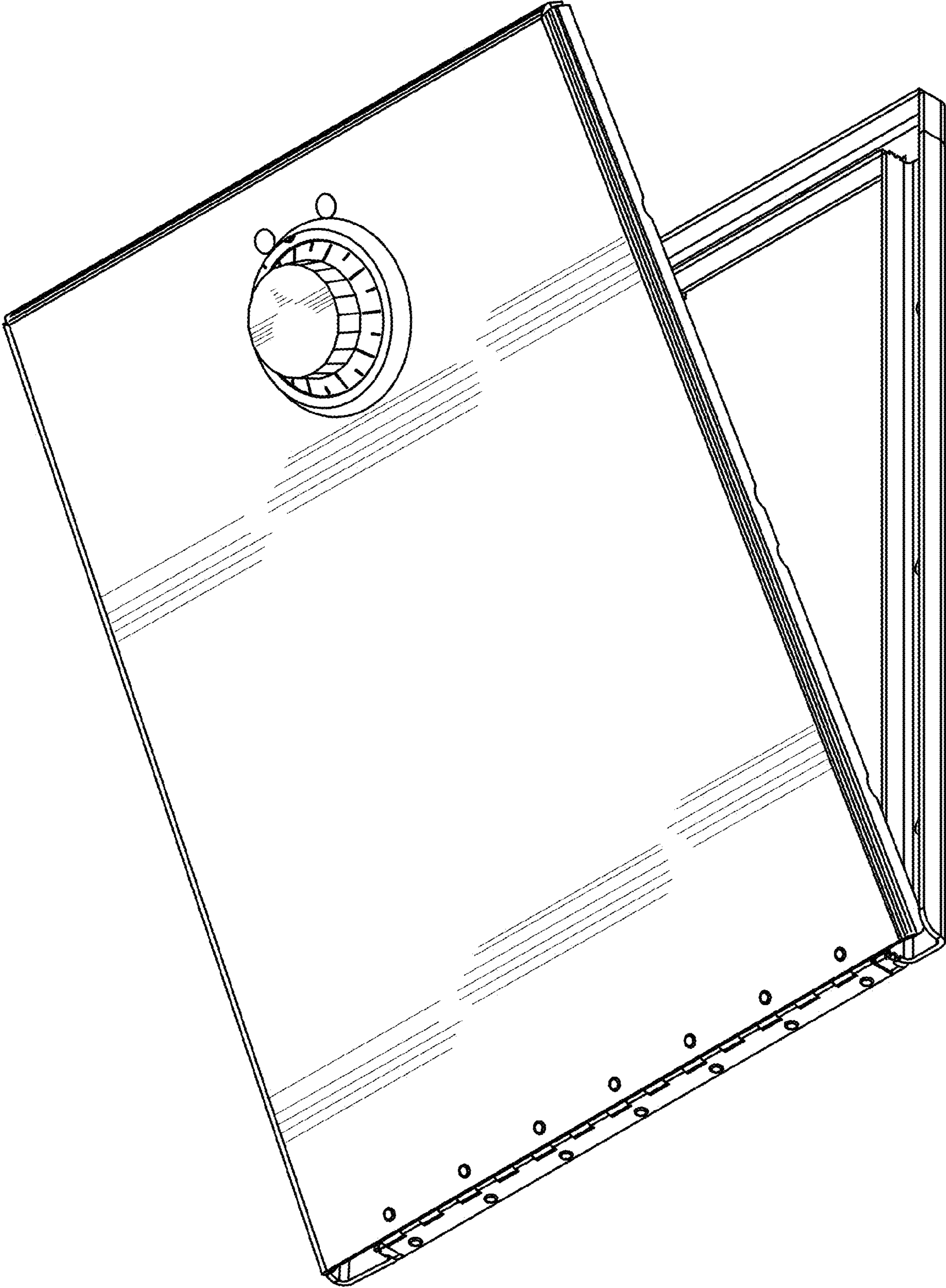


FIG. 9

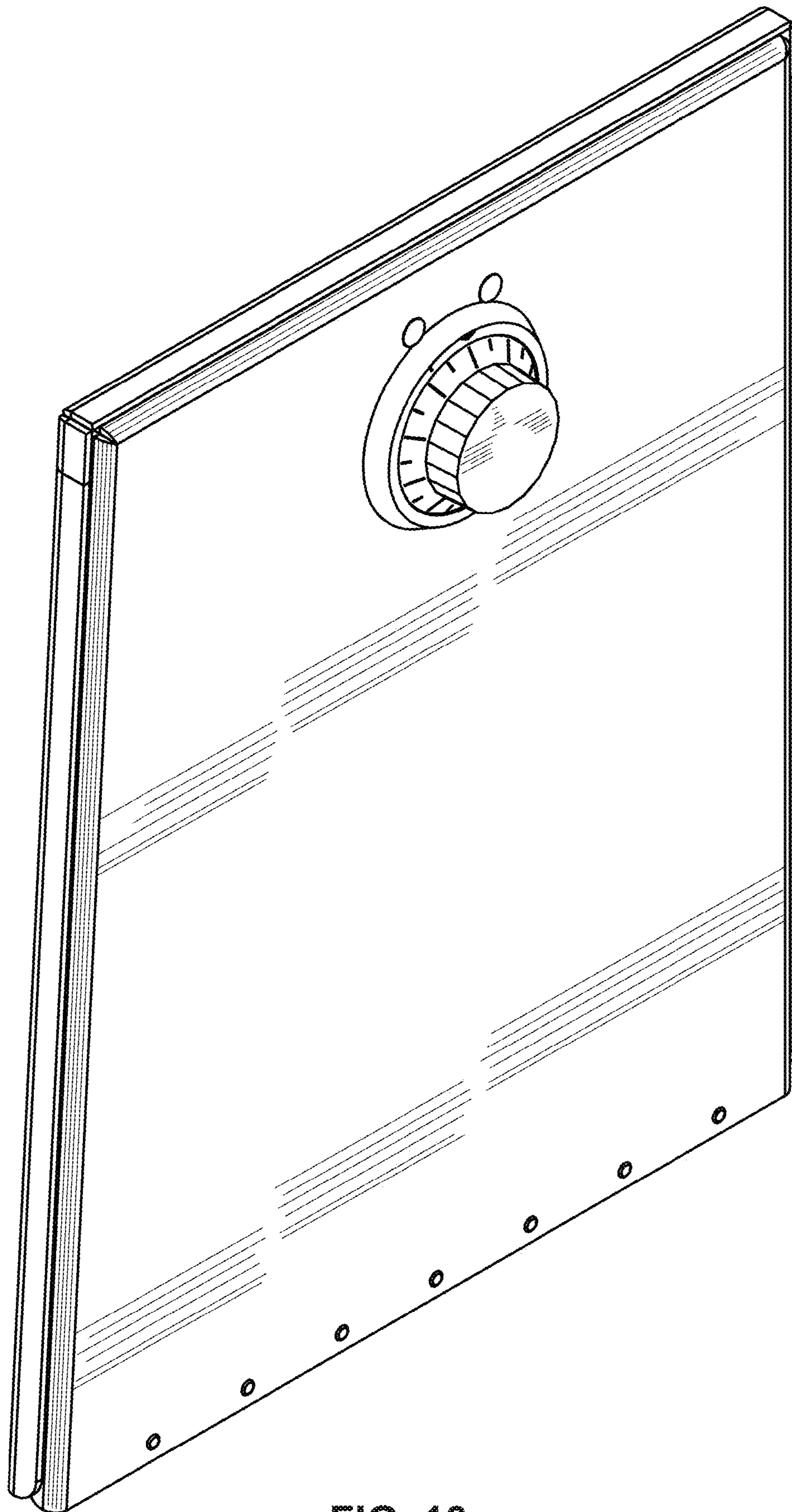


FIG. 10

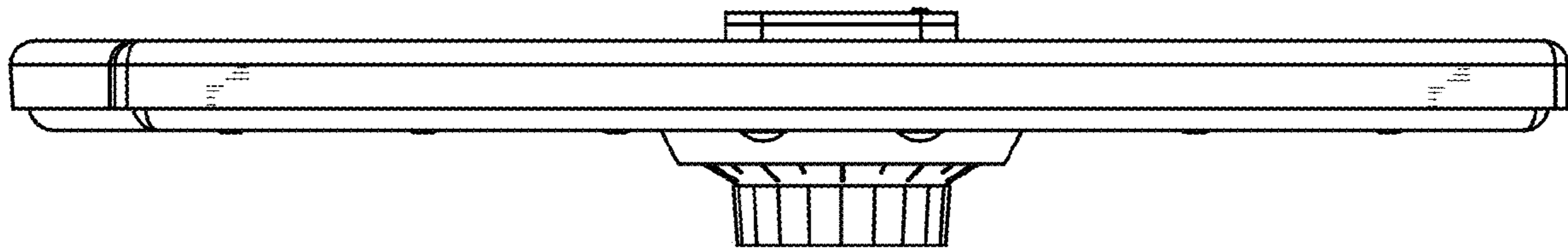


FIG. 11

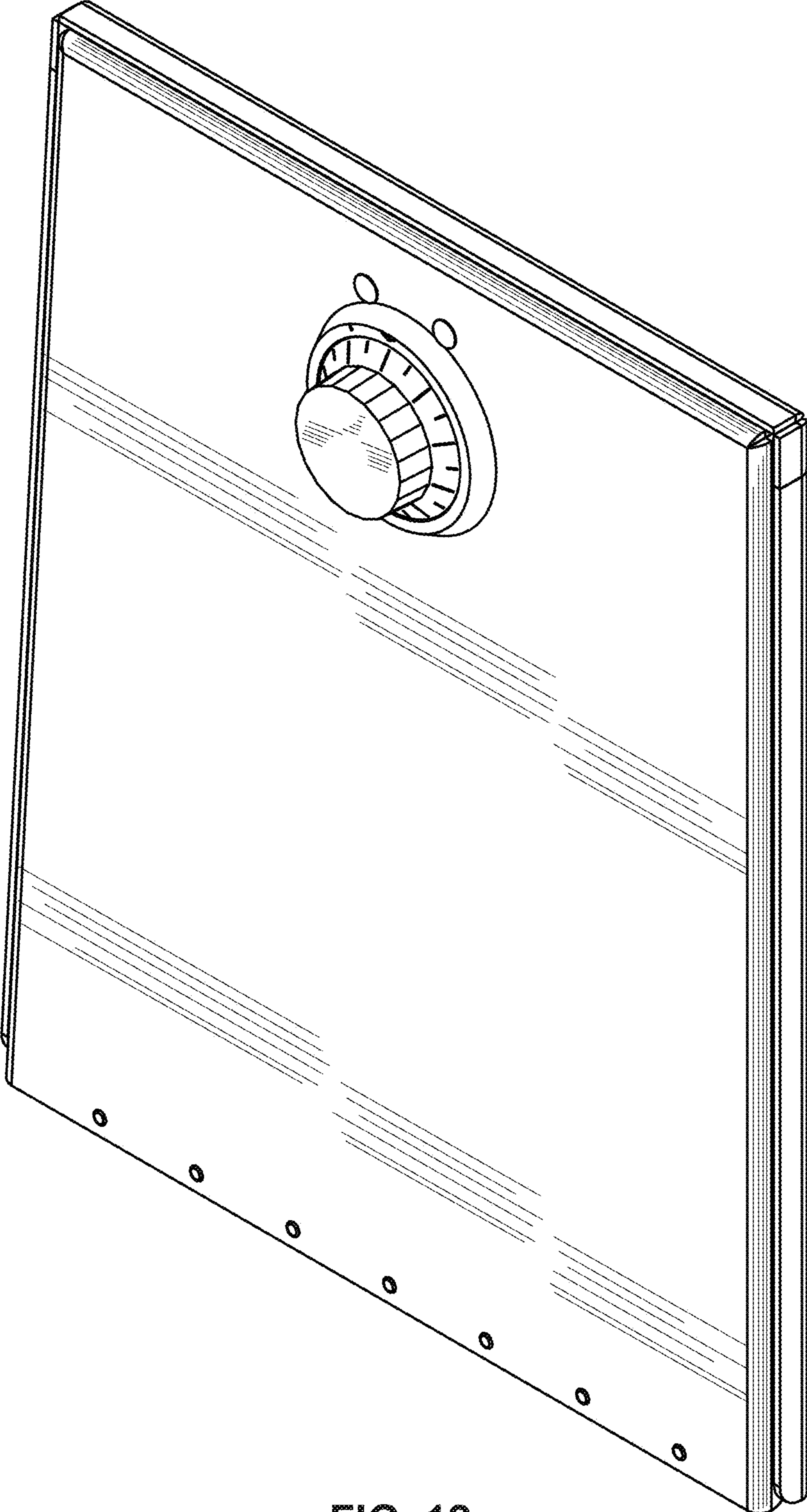


FIG. 12

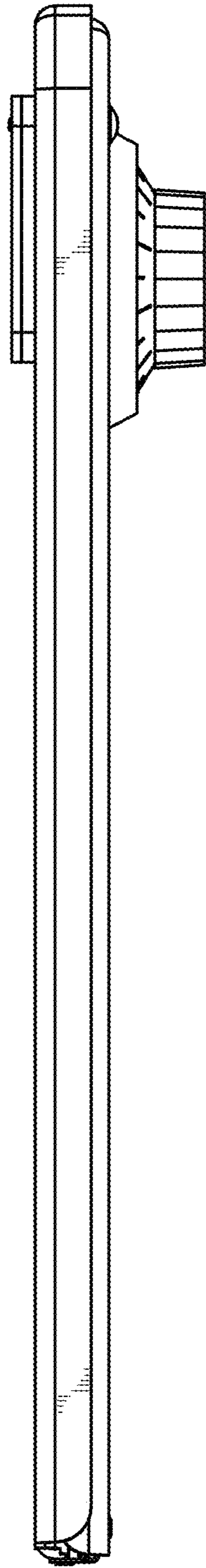


FIG. 13

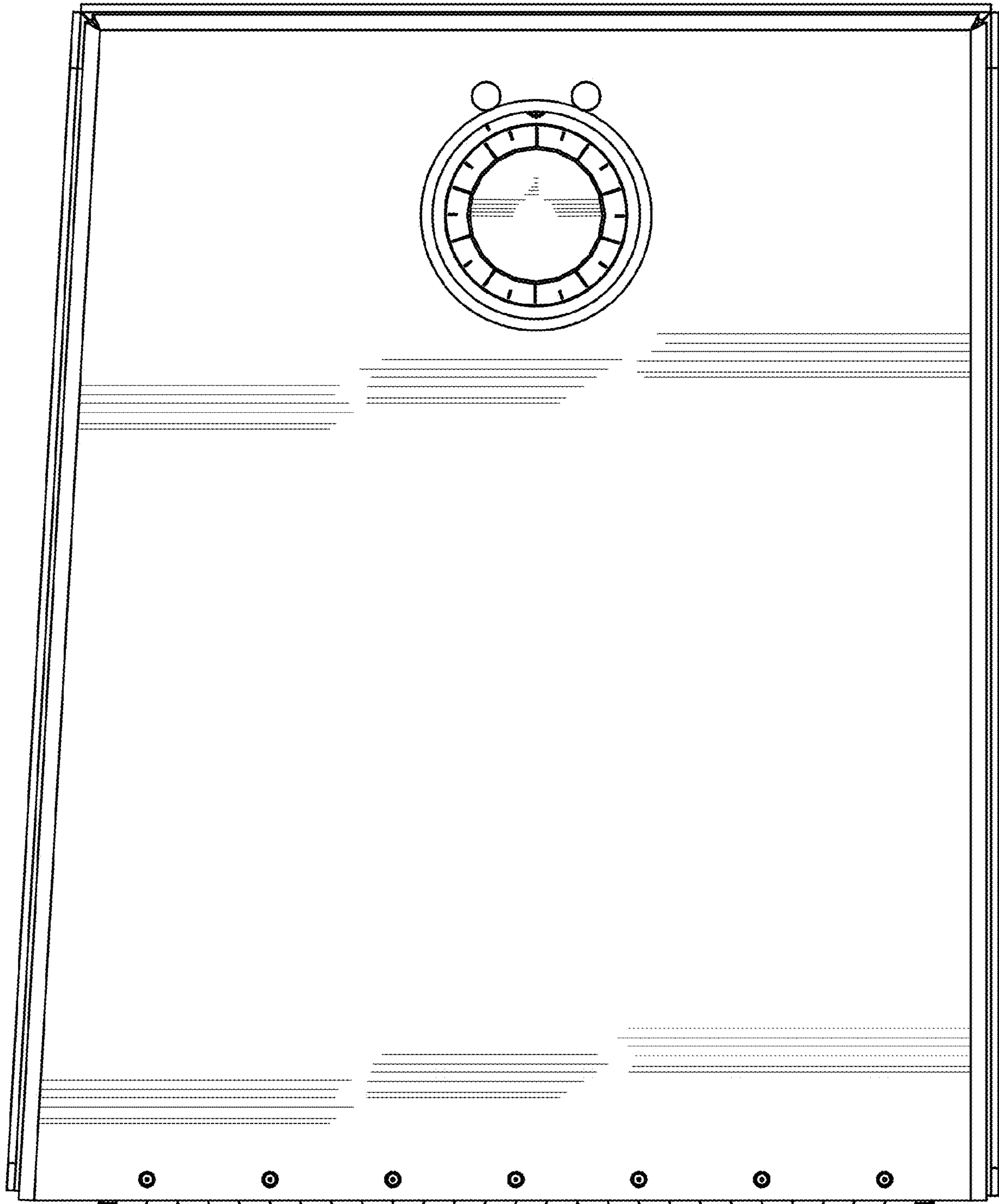


FIG. 14

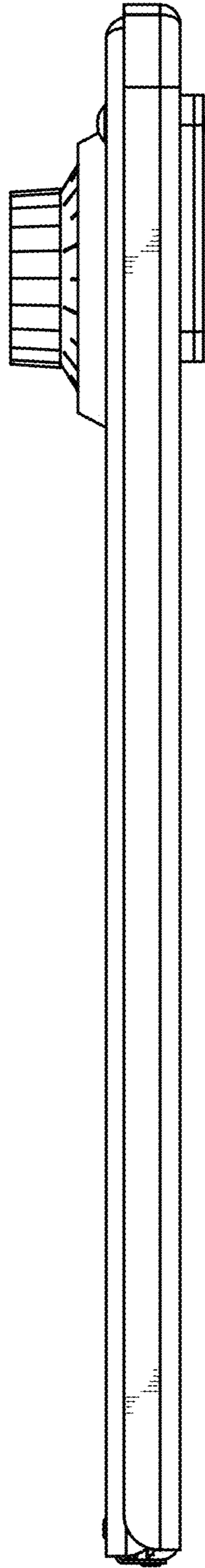


FIG. 15

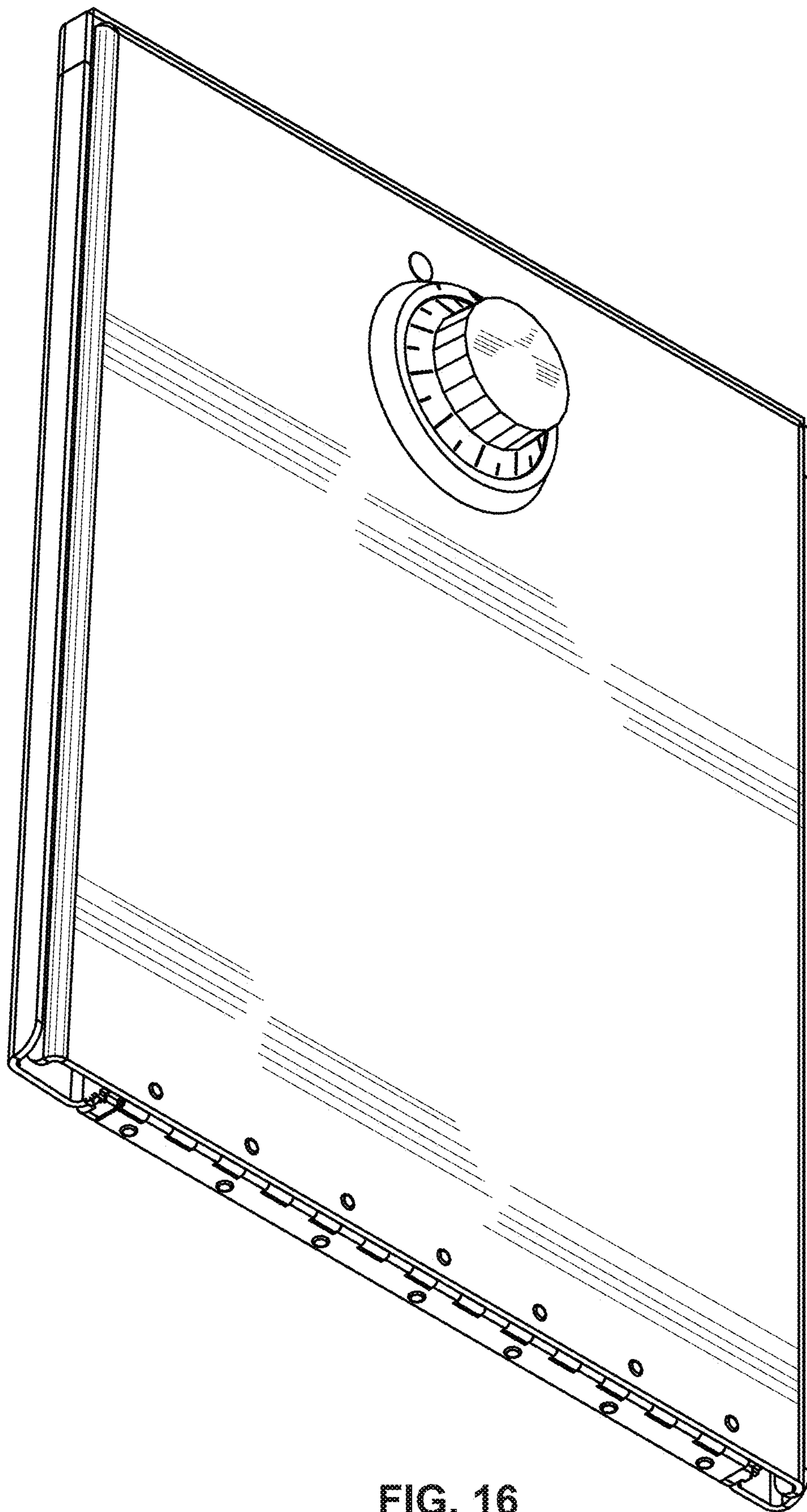


FIG. 16

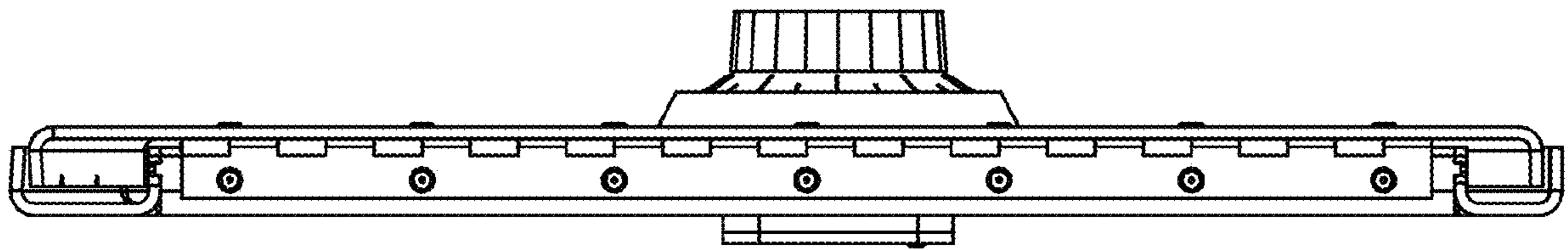


FIG. 17

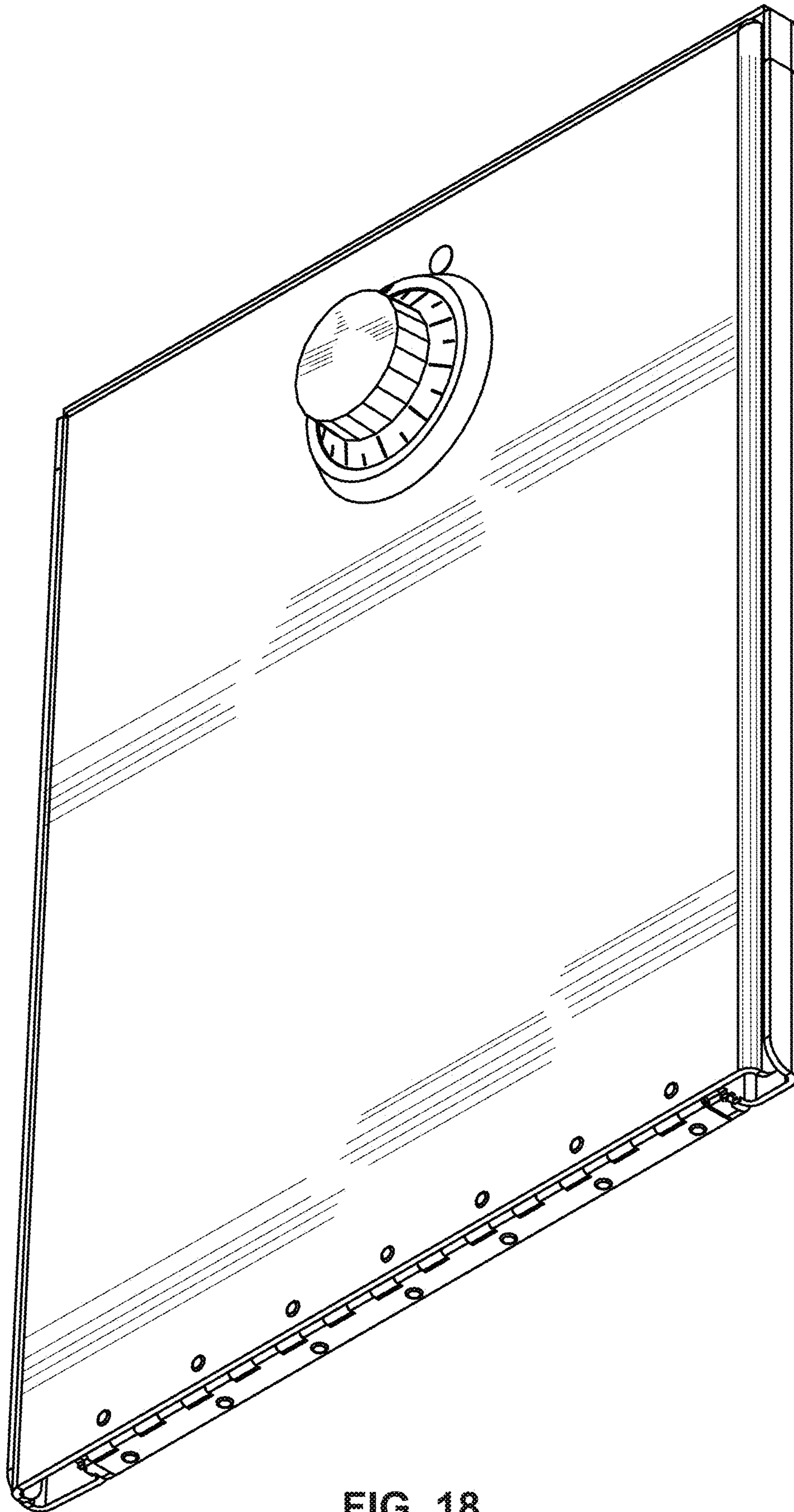


FIG. 18