



US00D949083S

(12) **United States Design Patent**
Jansen

(10) **Patent No.:** **US D949,083 S**

(45) **Date of Patent:** **** Apr. 19, 2022**

- (54) **WHEEL CAP**
- (71) Applicant: **Kirk Jansen**, Abbotsford (CA)
- (72) Inventor: **Kirk Jansen**, Abbotsford (CA)
- (73) Assignee: **Tiger Tool International Incorporated**, Abbotsford (CA)
- (**) Term: **15 Years**
- (21) Appl. No.: **29/682,315**
- (22) Filed: **Mar. 4, 2019**
- (51) **LOC (13) Cl.** **12-16**
- (52) **U.S. Cl.**
USPC **D12/213**
- (58) **Field of Classification Search**
USPC D12/204–213; D21/563
CPC B60B 7/00; B60B 7/02; B60B 7/04; B60B 7/01; B60B 7/06; B60B 3/02; B60B 3/04; B60B 3/06; B60B 3/10; B60B 1/00; B60B 1/08; B60B 1/10; B60B 1/12
See application file for complete search history.

D761,183 S *	7/2016	Bennett	B60B 7/04
				D12/213
D770,961 S *	11/2016	Chan	D12/213
D784,240 S *	4/2017	Platto	D12/213
D793,325 S *	8/2017	Platto	D12/213
D794,533 S *	8/2017	Chung	D12/213
D798,790 S *	10/2017	Meyer	D12/213
D803,137 S *	11/2017	Platto	D12/213
D838,228 S *	1/2019	Chung	D12/213
D849,659 S *	5/2019	Lee	D12/213
D852,715 S *	7/2019	Ash	D12/213
D860,105 S *	9/2019	Moore	D12/213
D885,296 S *	5/2020	Hale, Jr.	D12/213
D904,965 S *	12/2020	Horlick	D12/213
D911,246 S *	2/2021	Licklitter	D12/213
D922,929 S *	6/2021	Ranum	D12/213
2010/0194181 A1 *	8/2010	Noriega	B60B 1/06
				301/37.26

* cited by examiner

Primary Examiner — Stacia A Cadmus
(74) *Attorney, Agent, or Firm* — Schacht Law Office, Inc.; Michael R. Schacht

(57) **CLAIM**

The ornamental design for a wheel cap, as shown and described.

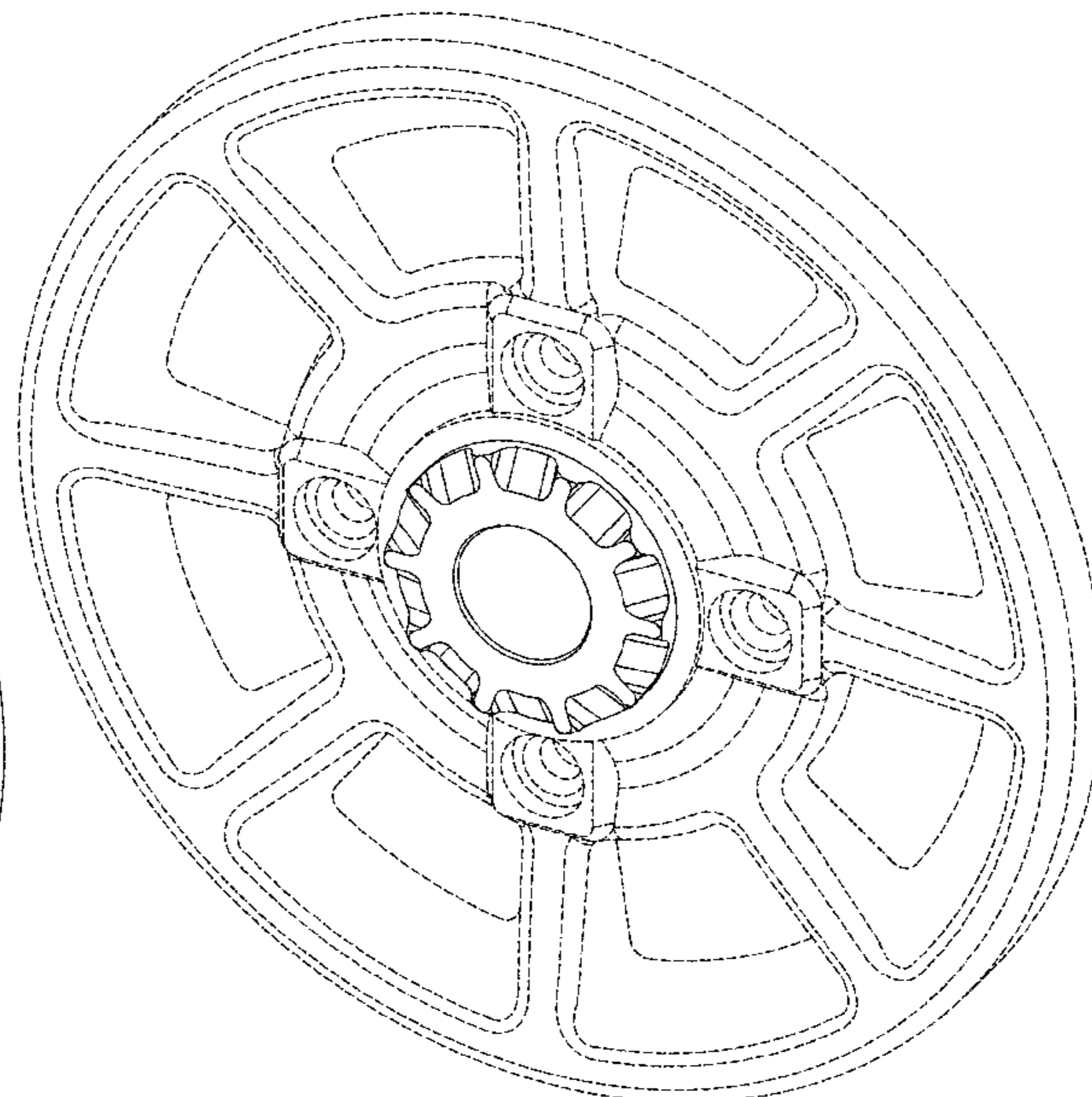
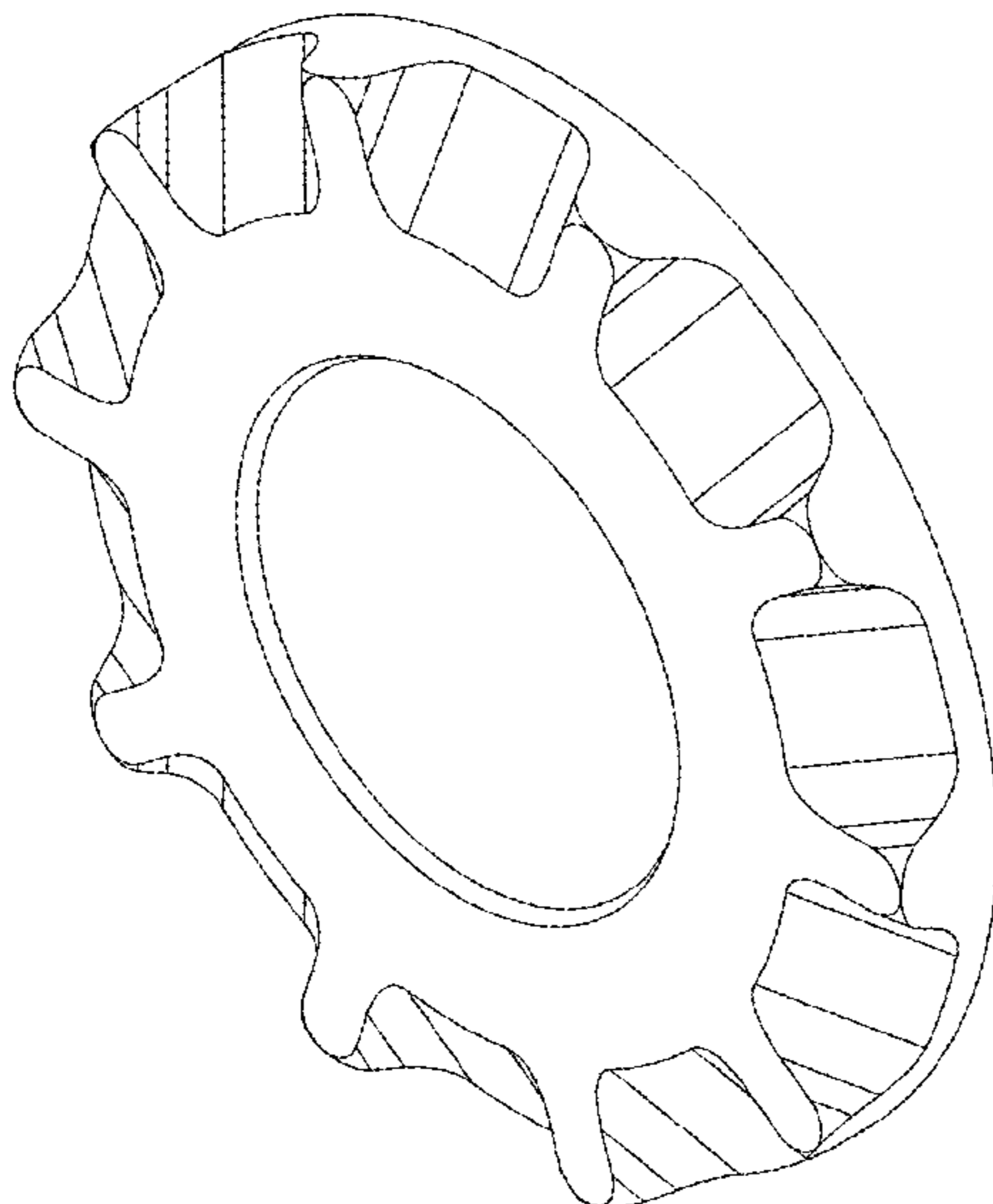
DESCRIPTION

FIG. 1 is a perspective view of a wheel cap according to the design;
FIG. 2 is a top view thereof;
FIG. 3 is a bottom view thereof;
FIG. 4 is a side view thereof, both sides being identical; and,
FIG. 5 is a reduced perspective view thereof, shown in its position of use.
In the drawings the broken lines in FIGS. 3 and 4 depict portions of the wheel cap that form no part of the claimed design, whereas the broken lines in FIG. 5 depict environment and form no part of the claimed design.

1 Claim, 5 Drawing Sheets

(56) **References Cited**
U.S. PATENT DOCUMENTS

D321,164 S *	10/1991	Gibson	D12/213
D392,240 S *	3/1998	Kingsland	D12/213
D435,007 S *	12/2000	Moore	D12/213
D445,085 S *	7/2001	Herrera	D12/213
D450,290 S *	11/2001	Schardt	D12/213
D453,914 S *	2/2002	Dumigan	D12/213
D462,043 S *	8/2002	Choi	D12/213
D498,198 S *	11/2004	Buma	D12/213
D537,768 S *	3/2007	McMath	D12/213
D538,733 S *	3/2007	McMath	D12/213
D702,174 S *	4/2014	Gordon	D12/213
D741,246 S *	10/2015	Chung	D12/213
D751,022 S *	3/2016	Chung	D12/213
D751,489 S *	3/2016	Chung	D12/213



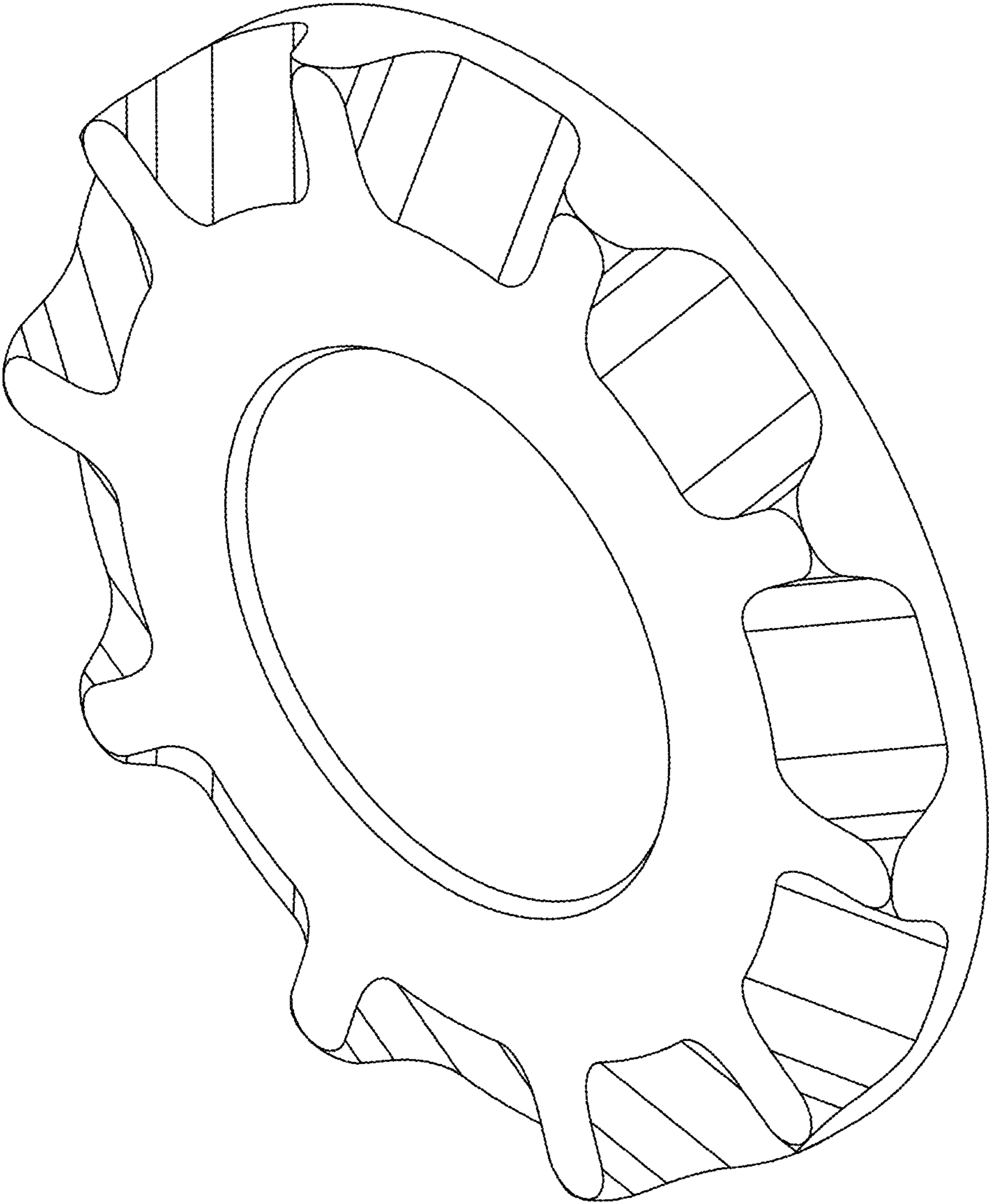


FIG. 1

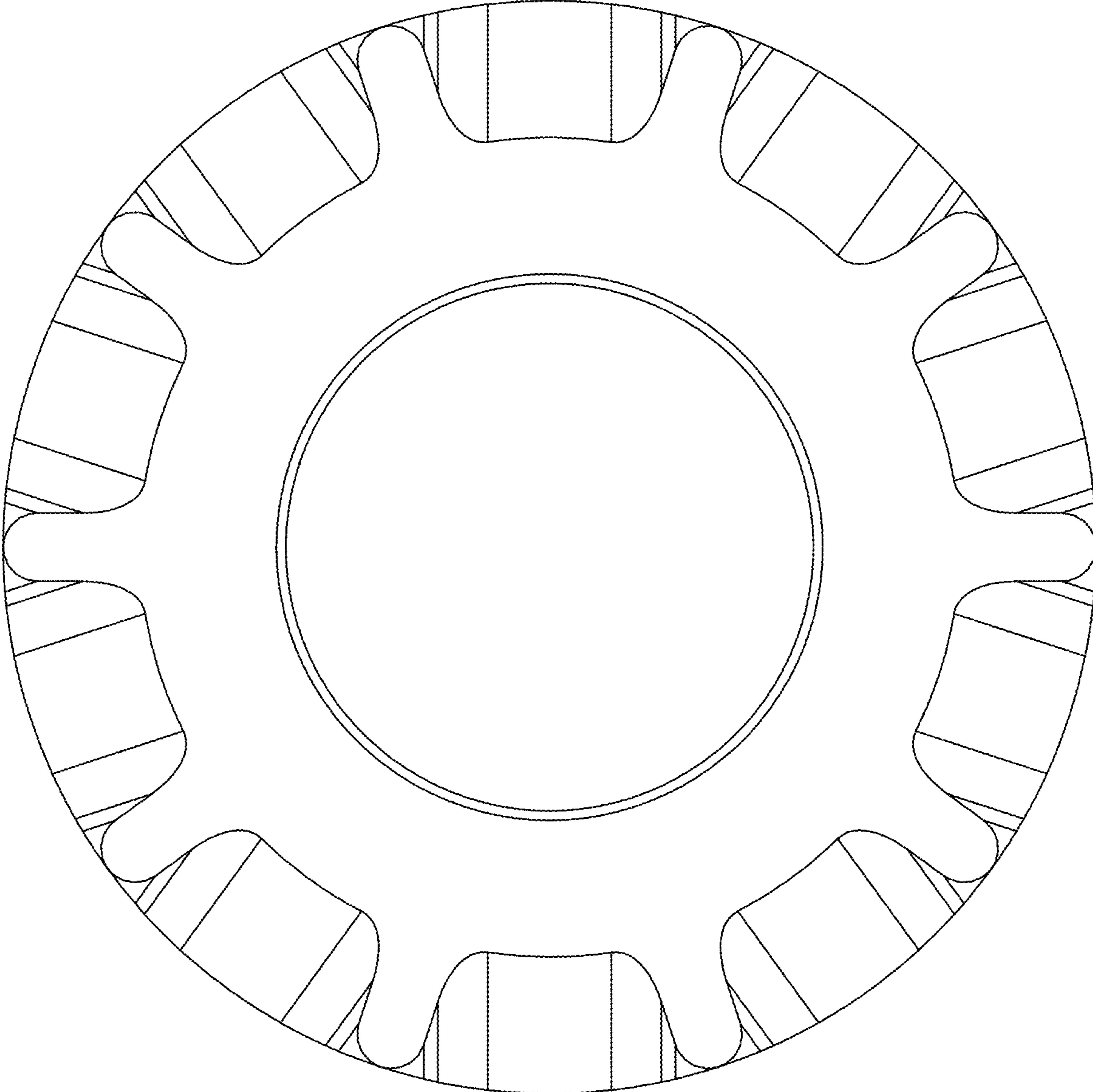


FIG. 2

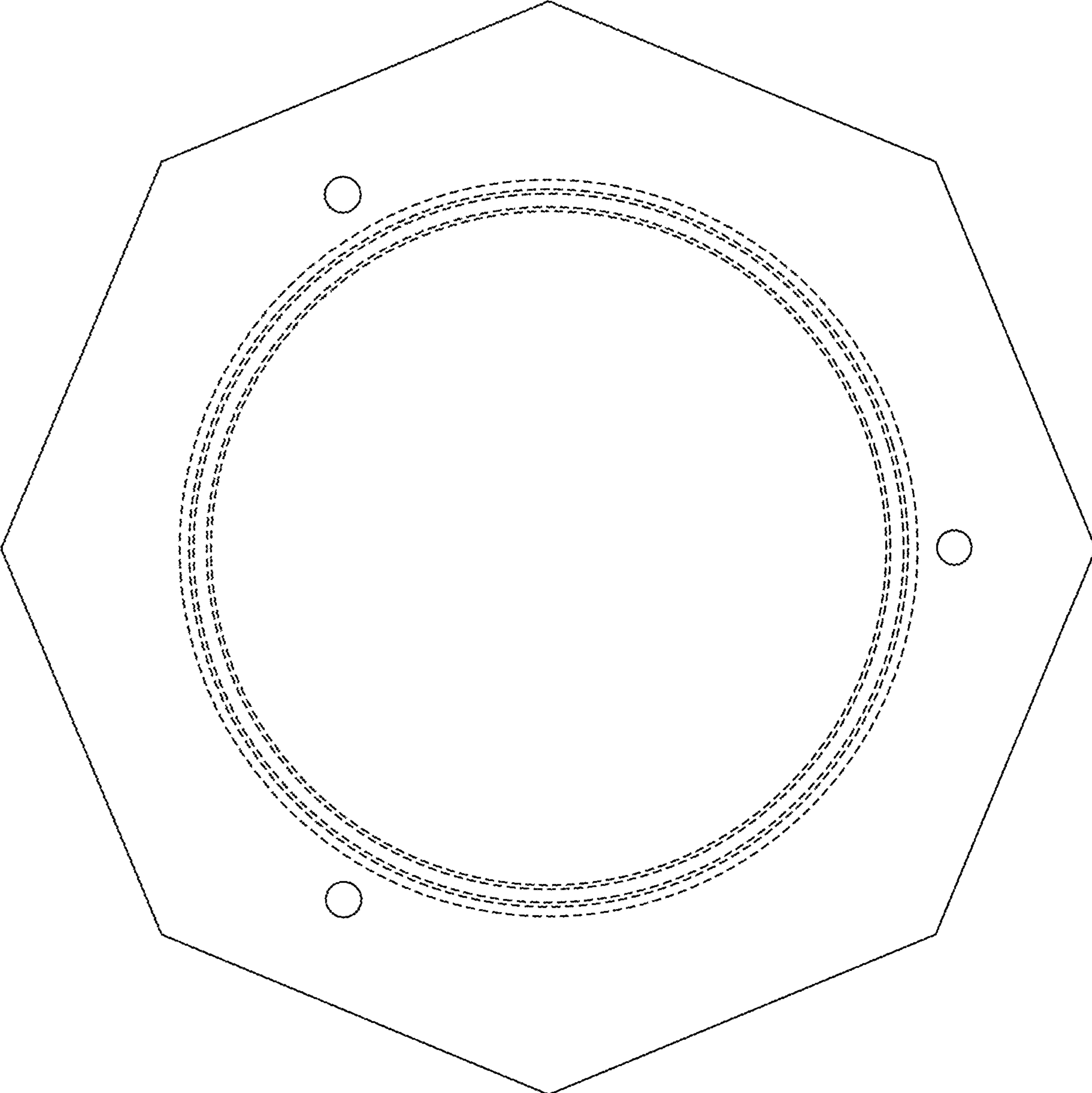


FIG. 3

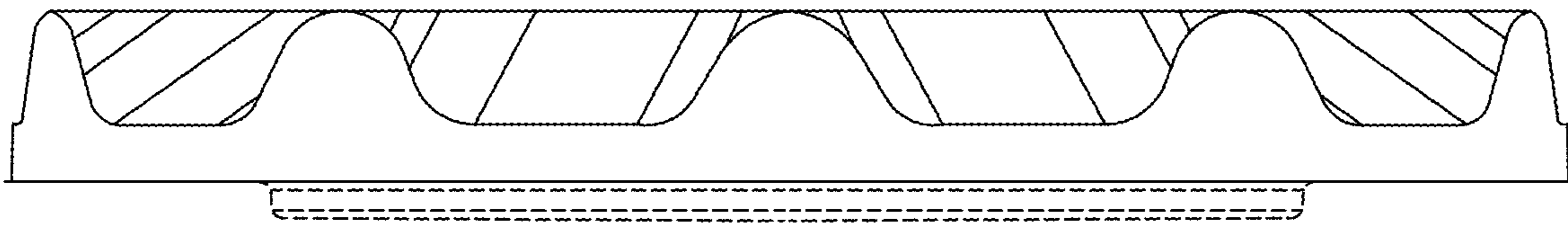


FIG. 4

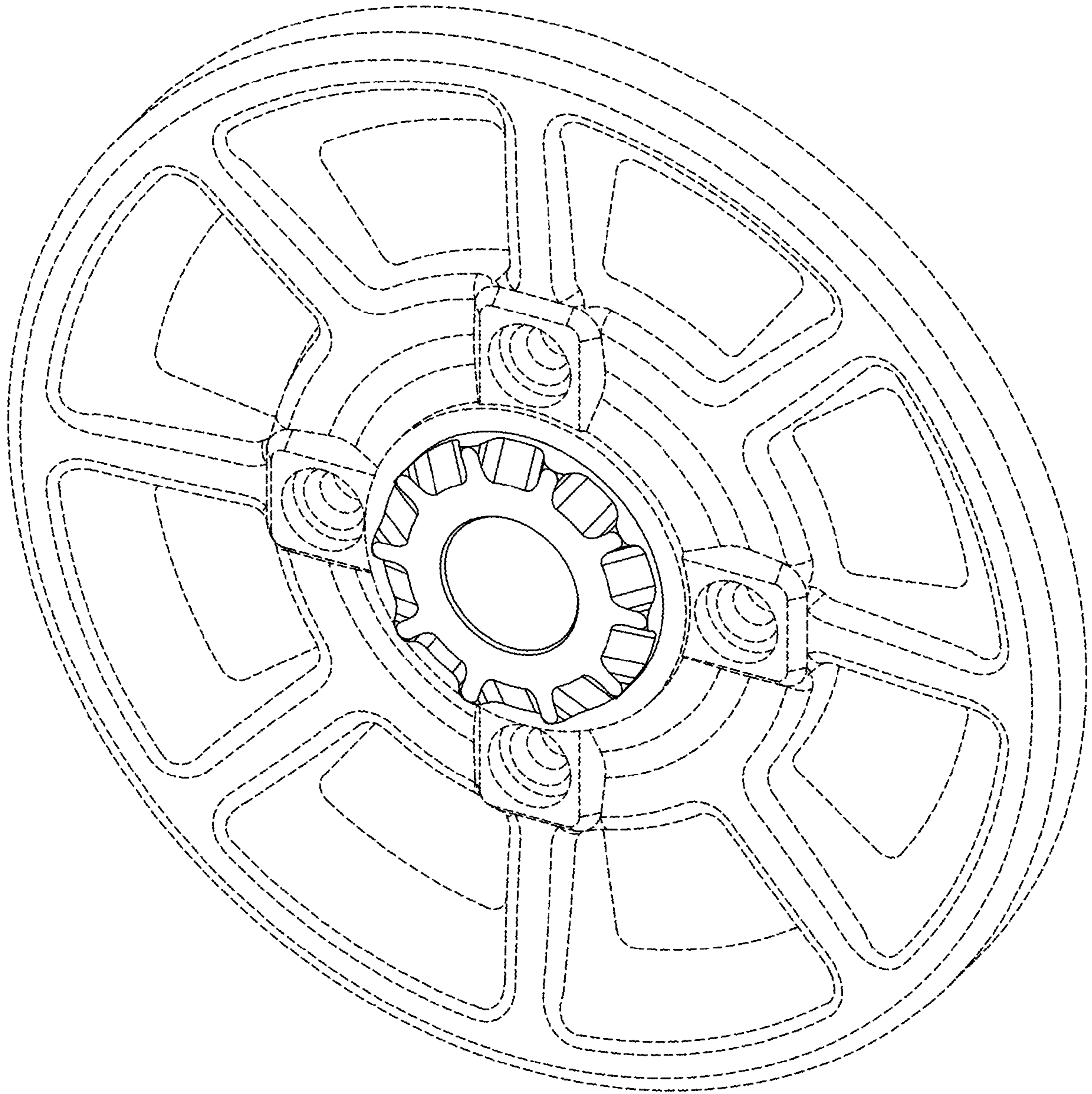


FIG. 5