

US00D949081S

(12) **United States Design Patent**
Lee

(10) **Patent No.:** **US D949,081 S**

(45) **Date of Patent:** **** Apr. 19, 2022**

(54) **AUTOMOTIVE WHEEL**

(71) Applicant: **MKW Alloy, Inc.**, City of Industry, CA (US)

(72) Inventor: **Kevin Lee**, Yorba Linda, CA (US)

(73) Assignee: **MKW ALLOY, INC.**, City of Industry, CA (US)

(**) Term: **15 Years**

(21) Appl. No.: **29/745,239**

(22) Filed: **Aug. 4, 2020**

(51) **LOC (13) Cl.** **12-16**

(52) **U.S. Cl.**

USPC **D12/209**

(58) **Field of Classification Search**

USPC D12/204–213; D21/563

CPC B60B 7/00; B60B 7/02; B60B 7/04; B60B

7/01; B60B 7/06; B60B 3/02; B60B 3/04;

B60B 3/06; B60B 3/10; B60B 1/00;

B60B 1/08; B60B 1/10; B60B 1/12;

B60B 21/04; B60B 21/104; B60B 1/06;

B60B 3/08; B60C 15/024

See application file for complete search history.

(56) **References Cited**

U.S. PATENT DOCUMENTS

D398,898 S *	9/1998	Baumgartner	D12/211
D445,078 S *	7/2001	Chung	D12/209
D454,327 S *	3/2002	Bux	D12/211
D506,965 S *	7/2005	Kataoka	D12/209
D595,632 S *	7/2009	Hernandez	D12/211
D758,941 S *	6/2016	Zhao	D12/208
D760,142 S *	6/2016	Chu	D12/211
D778,799 S *	2/2017	Gallert	D12/211
D786,766 S *	5/2017	Rueckheim	D12/209
D803,130 S *	11/2017	Taylor	D12/209
D825,423 S *	8/2018	Henderson	D12/209

D830,933 S *	10/2018	Zhao	D12/209
D831,555 S *	10/2018	Zhao	D12/209
D835,558 S *	12/2018	Fee	D12/204
D840,895 S *	2/2019	Luo	D12/209
D840,896 S *	2/2019	Schmolz	D12/209
D865,616 S *	11/2019	Tran	D12/209
D865,624 S *	11/2019	Han	D12/209
D877,022 S *	3/2020	Hahn	D12/209
D881,101 S *	4/2020	Liu	D12/209
D889,364 S *	7/2020	Han	D12/209
D889,367 S *	7/2020	Han	D12/209
D892,017 S *	8/2020	Han	D12/209
D899,999 S *	10/2020	Kong	D12/209
D908,065 S *	1/2021	Mukti	D12/209
D911,242 S *	2/2021	Piaskowski	D12/209
D915,983 S *	4/2021	Chu	D12/209
D915,984 S *	4/2021	Chu	D12/209
D915,987 S *	4/2021	Wittinger	D12/209

(Continued)

OTHER PUBLICATIONS

Deltawheel mkw hostile vulcan <https://deltawheelcompany.com/hostile-mkw/> Jan. 2020 (Year: 2020).*

Primary Examiner — Leanne Was-Englehart

(74) *Attorney, Agent, or Firm* — Ahn IP Law

(57)

CLAIM

The ornamental design for an automotive wheel, as shown and described.

DESCRIPTION

FIG. 1 is a perspective view of an automotive wheel, showing my new design; and

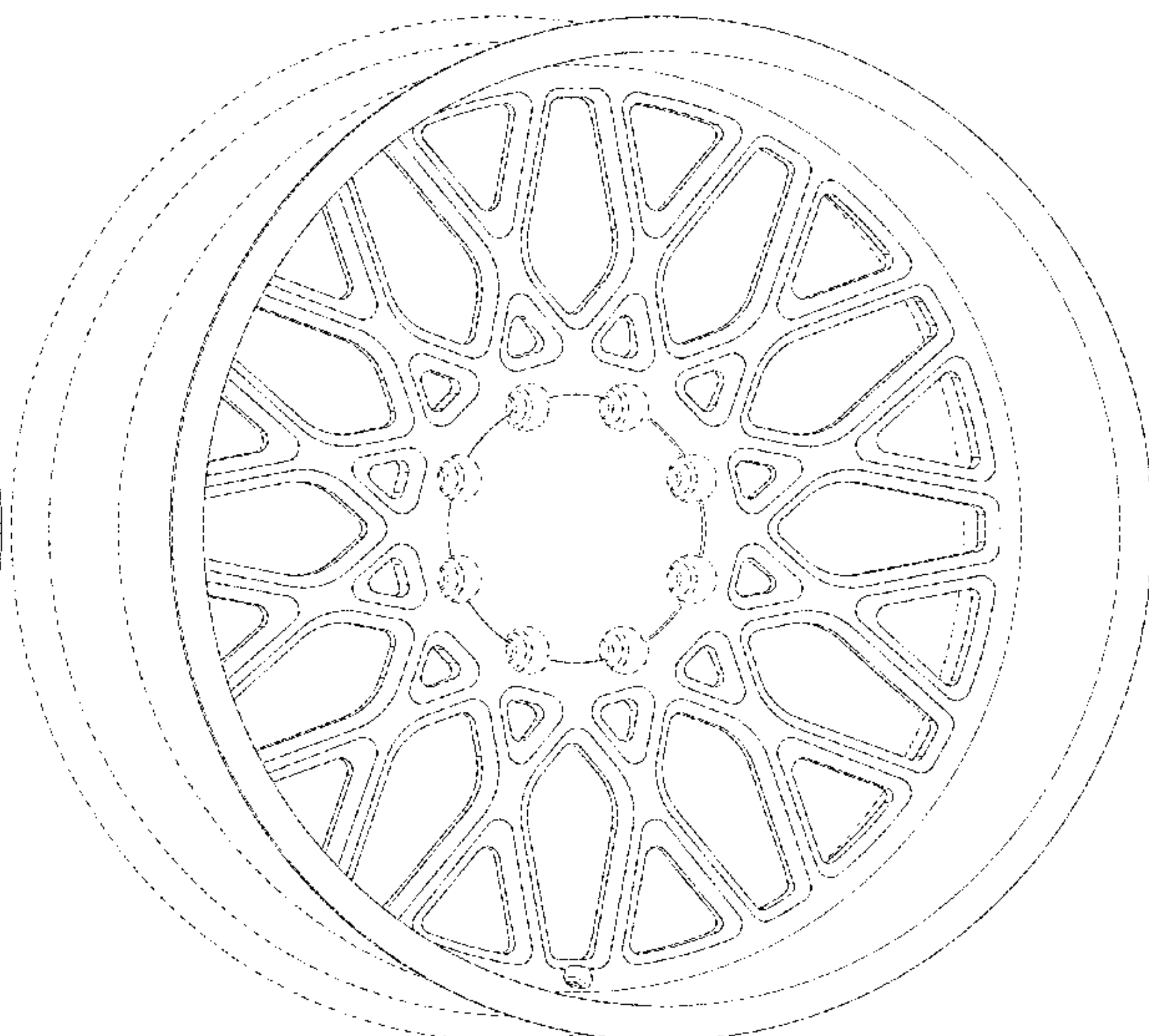
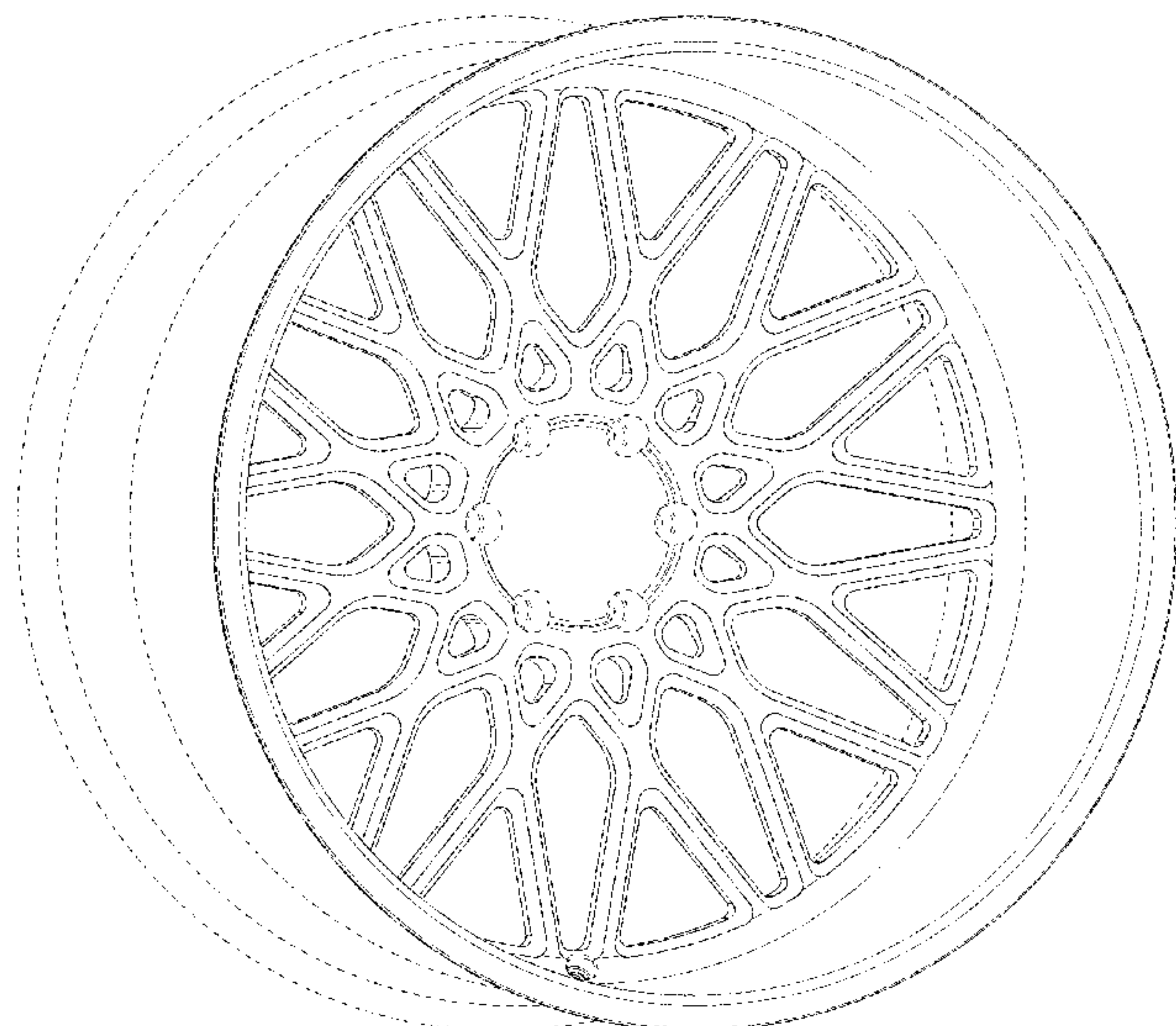
FIG. 2 is a front view thereof.

FIG. 3 is a perspective view of a second embodiment of an automotive wheel, showing my new design; and,

FIG. 4 is a front view of the wheel shown in FIG. 3.

In the drawings, the broken lines depict portions of the wheel that form no part of the claimed design.

1 Claim, 4 Drawing Sheets



(56)

References Cited

U.S. PATENT DOCUMENTS

D918,119 S	*	5/2021	Han	D12/209
D921,553 S	*	6/2021	Williams	D12/209
D938,337 S	*	12/2021	Podlovits	D12/209
D940,040 S	*	1/2022	Han	D12/209
D941,217 S	*	1/2022	Gilbrich	B60B 3/02 D12/209

* cited by examiner

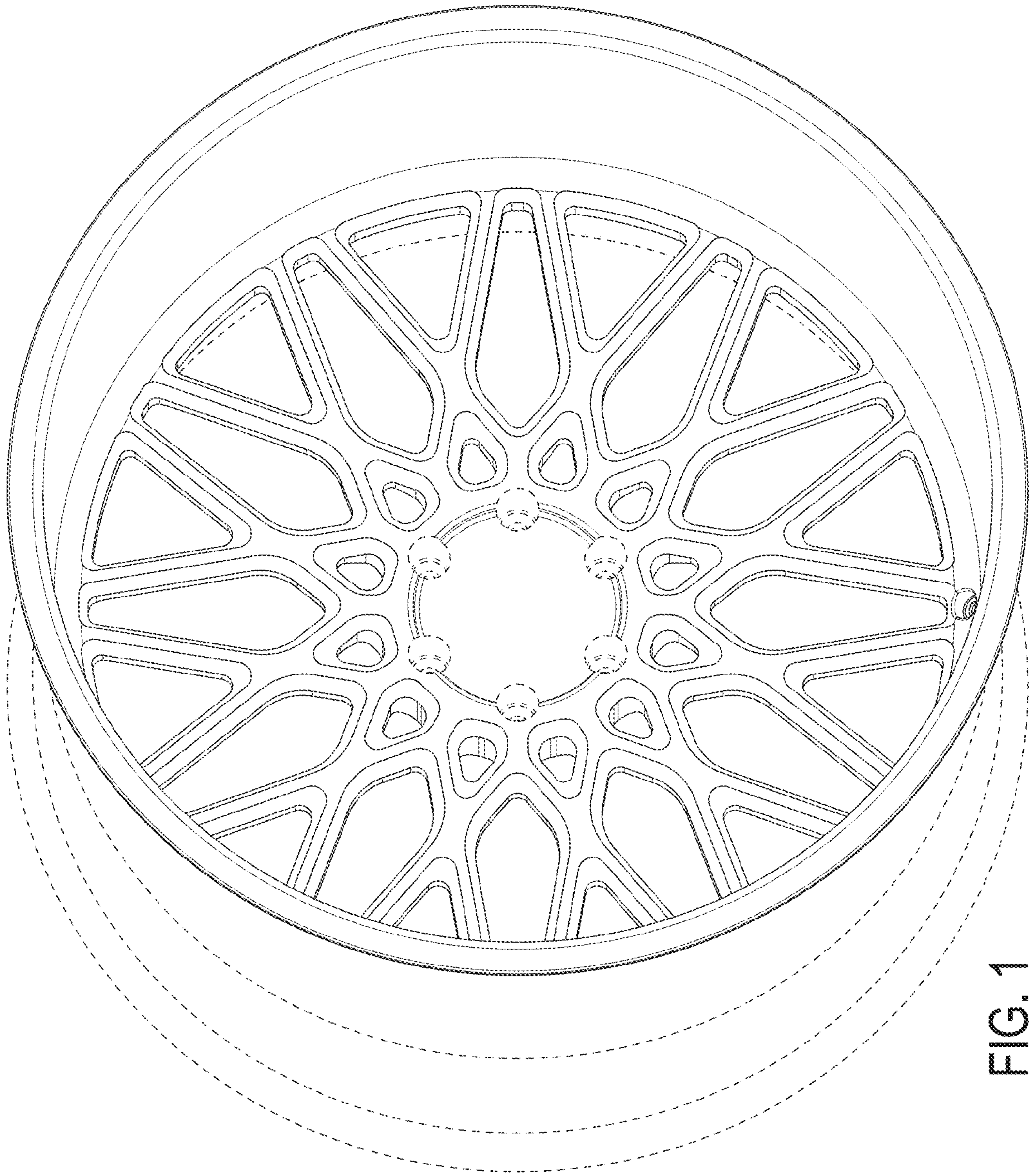


FIG. 1

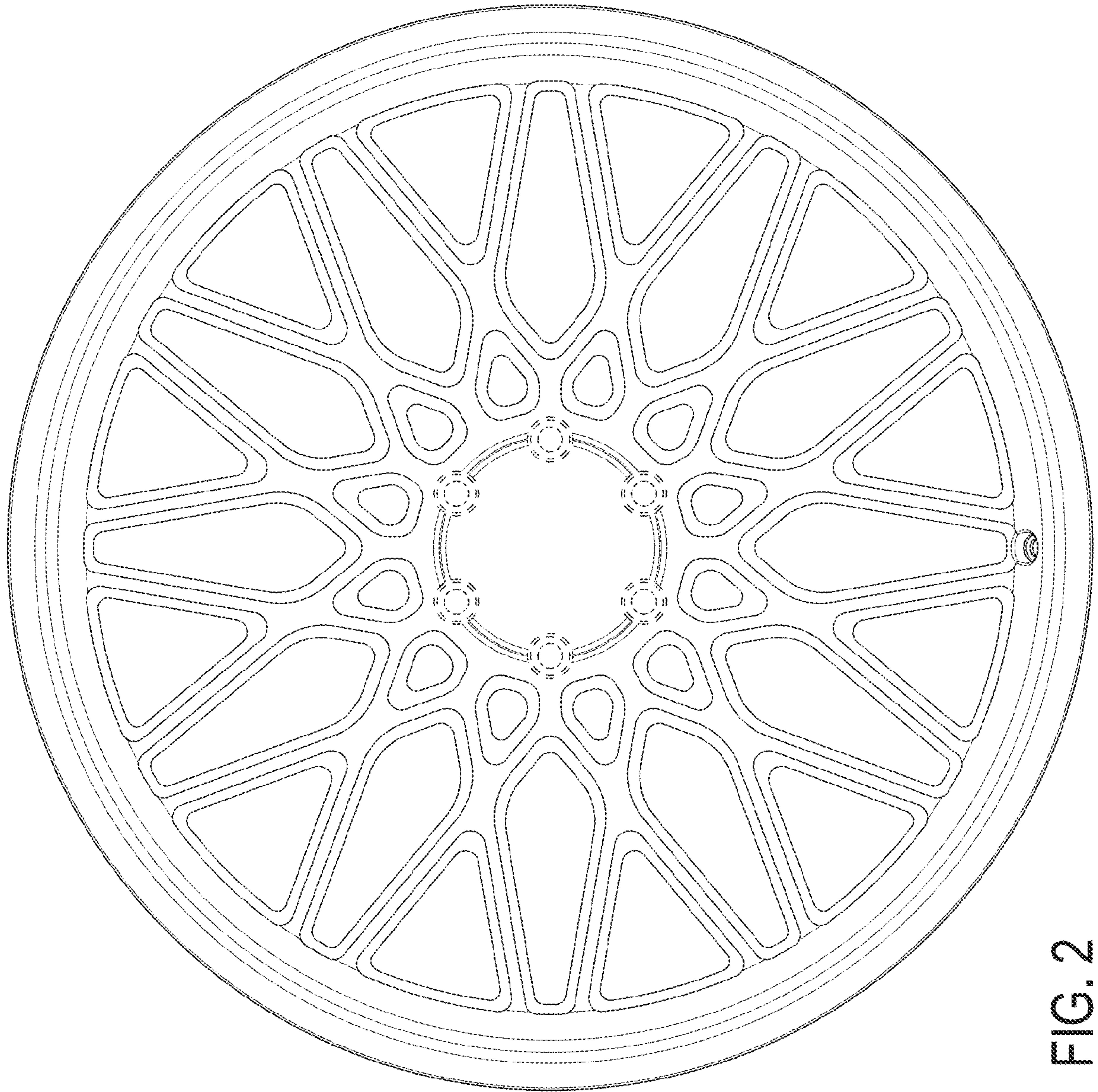


FIG. 2

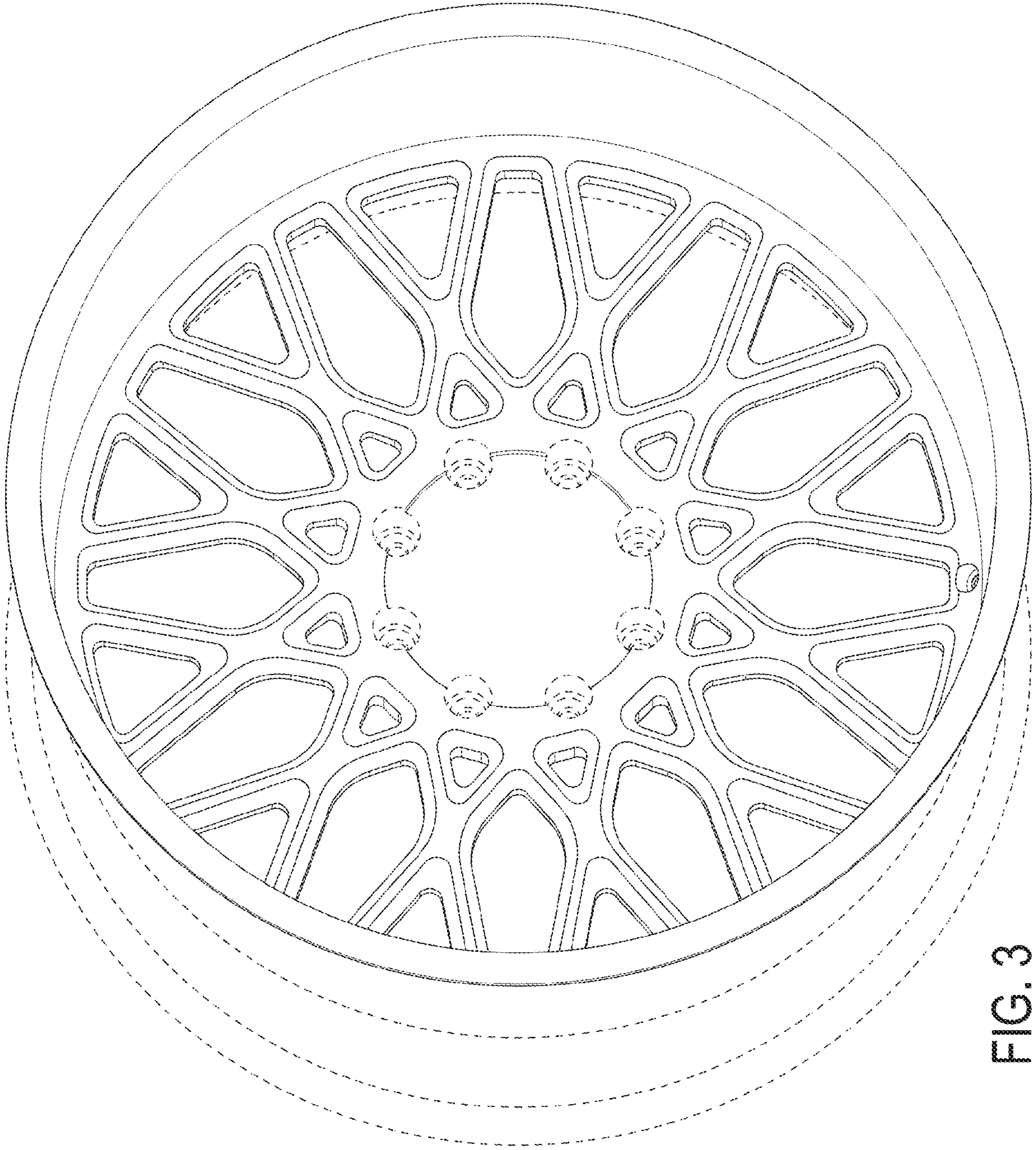


FIG. 3

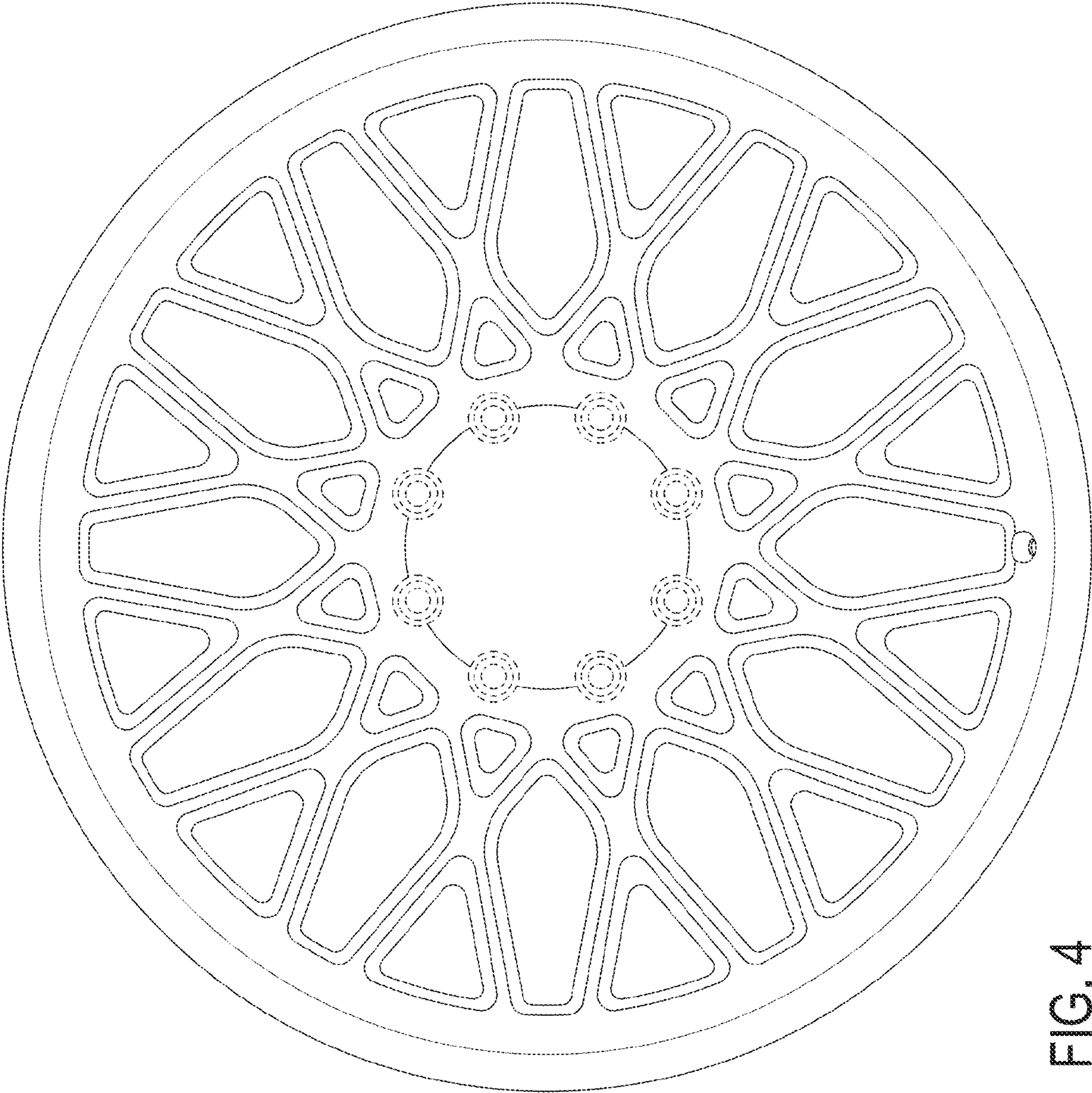


FIG. 4